

[54] **TENNIS STRINGING APPARATUS**
 [75] **Inventors:** Richard Janes; Donald Chartier, both of Nashua, N.H.
 [73] **Assignee:** J.C. Mfg. Co., Nashua, N.H.
 [*] **Notice:** The portion of the term of this patent subsequent to Nov. 12, 1997 has been disclaimed.
 [**] **Term:** 14 Years
 [21] **Appl. No.:** 194,216
 [22] **Filed:** Oct. 6, 1980
 [52] **U.S. Cl.** D15/199
 [58] **Field of Search** D15/122, 199; 73/862.43; 273/73 A

2,032,217 2/1935 Matthews et al. 265/1
 2,069,736 2/1937 Roberts 273/73
 2,246,109 6/1941 Serrano 273/73 A
 3,635,080 1/1972 Krueger et al. 73/145
 3,823,609 7/1974 Miyagawa et al. 73/145
 3,913,912 10/1975 Smith 273/73 A
 3,918,713 11/1975 Kaminstein 273/73
 3,988,022 10/1976 Halbrook 273/73 A
 4,125,259 11/1978 Halbrook 273/73 A

Primary Examiner—B. J. Bullock
Attorney, Agent, or Firm—Blodgett & Blodgett

[57] **CLAIM**

The ornamental design for a tennis stringing apparatus, as shown and described.

DESCRIPTION

FIG. 1 is a perspective view of a tennis stringing apparatus showing our new design, in the operative position; FIG. 2 is a front elevational view thereof, the rear being a mirror image; FIG. 3 is a side elevational view taken from the right of FIG. 2; FIG. 4 is a side elevational view taken from the left of FIG. 2; FIG. 5 is a top plan view thereof; FIG. 6 is a bottom plan view thereof.

[56] **References Cited**
U.S. PATENT DOCUMENTS
 D. 253,707 12/1979 Chartier et al. D15/199
 D. 253,772 12/1979 Chartier et al. D15/199
 1,893,267 1/1933 Bickel .
 1,989,002 1/1935 Doll 273/73 A
 2,012,476 8/1935 Nicolas 273/73
 2,015,238 9/1935 Saladino 73/862.43
 2,023,641 12/1935 Morton 273/73

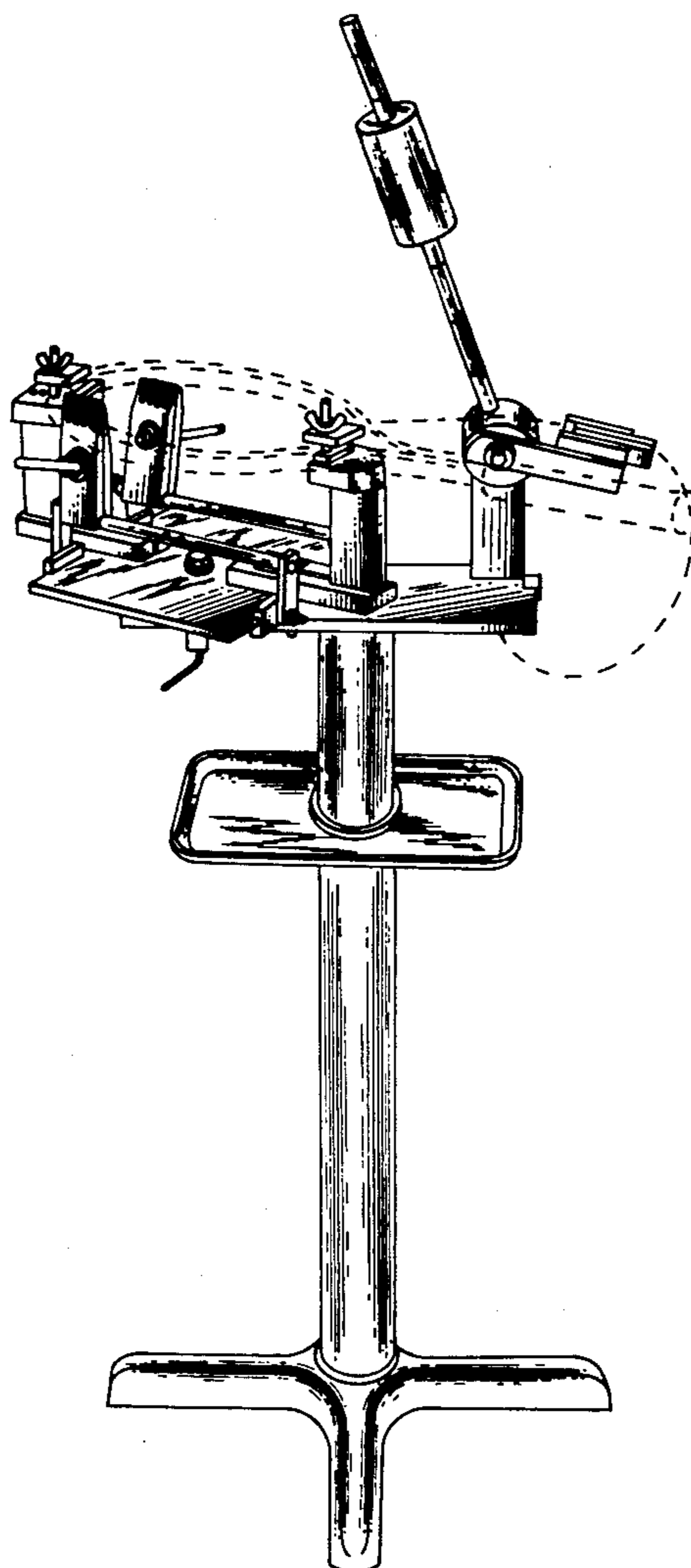


FIG. 1

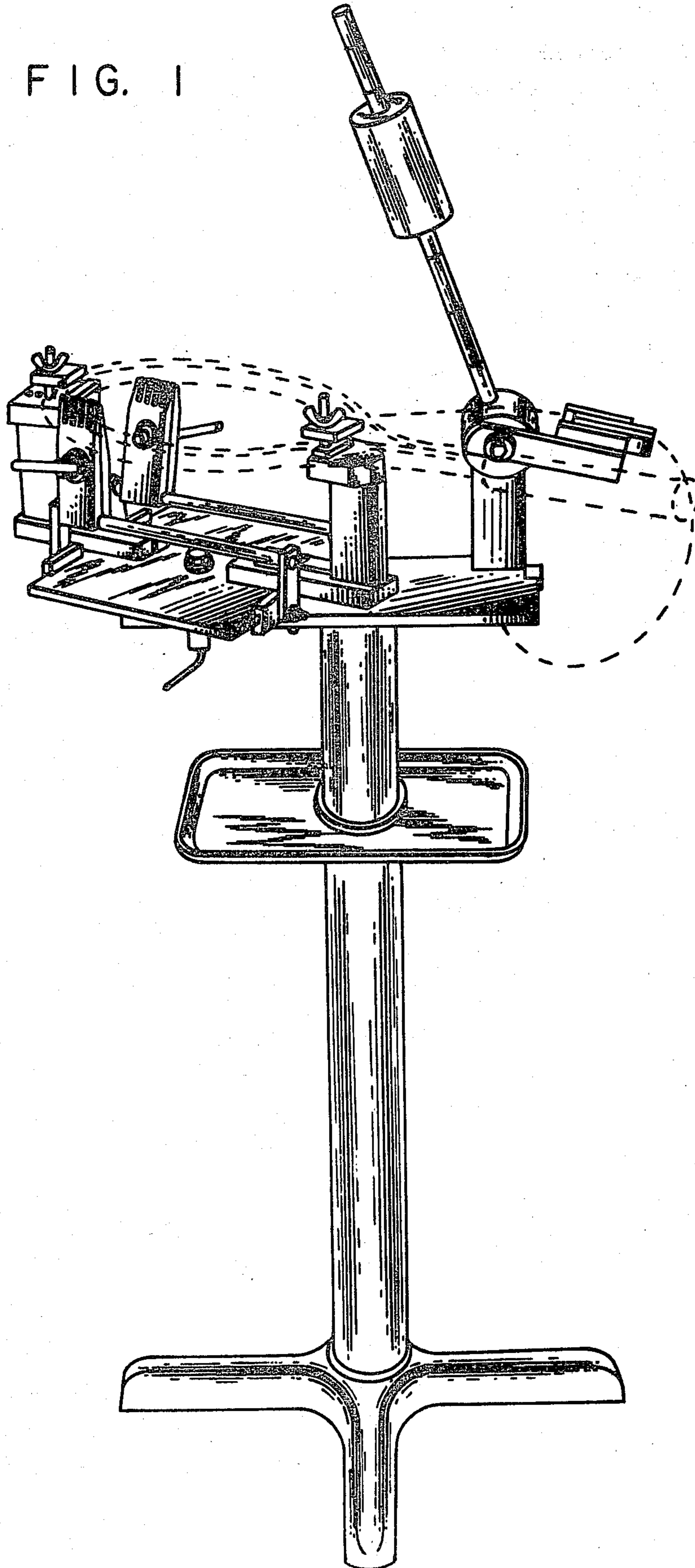


FIG. 2

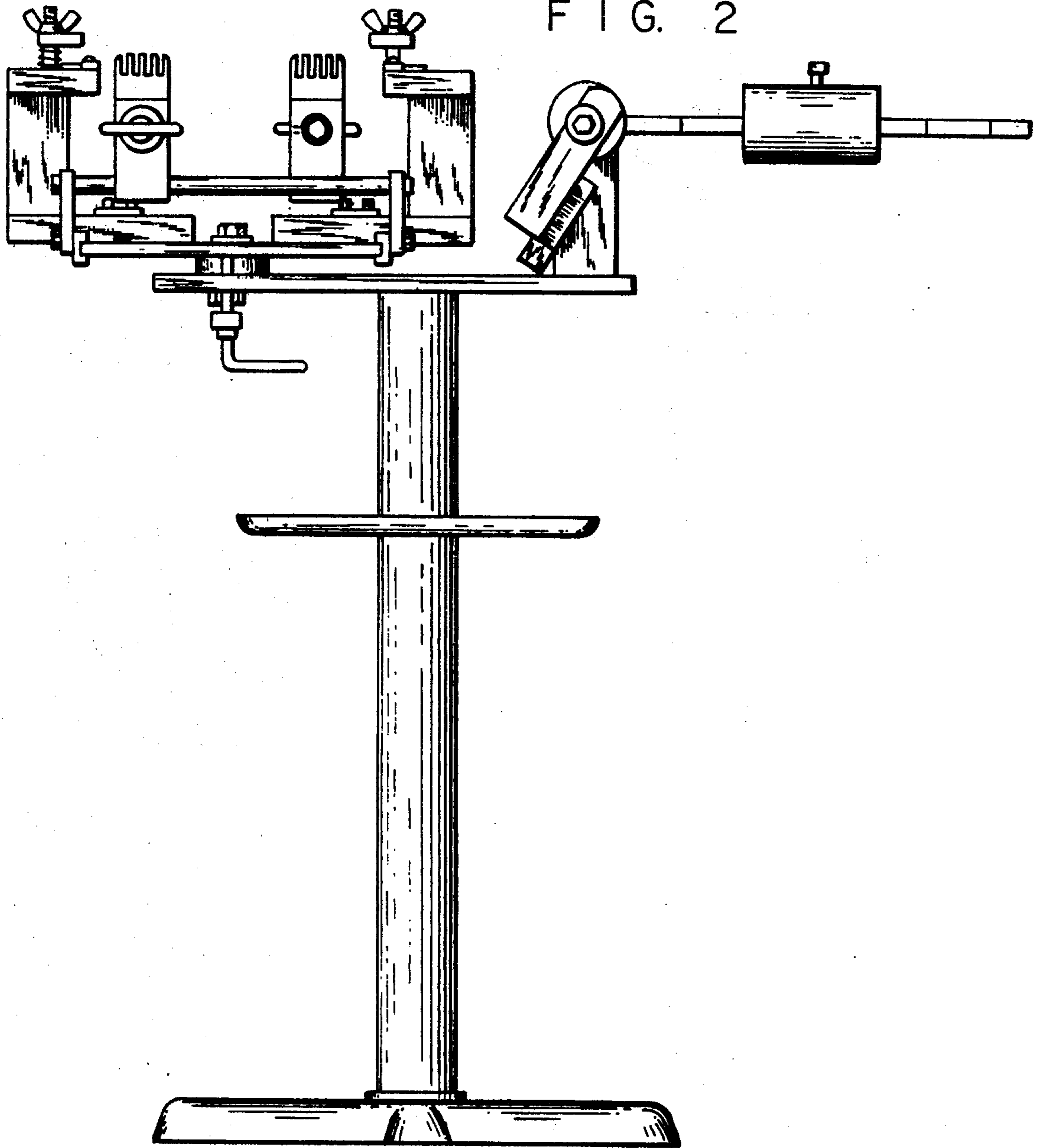


FIG. 3

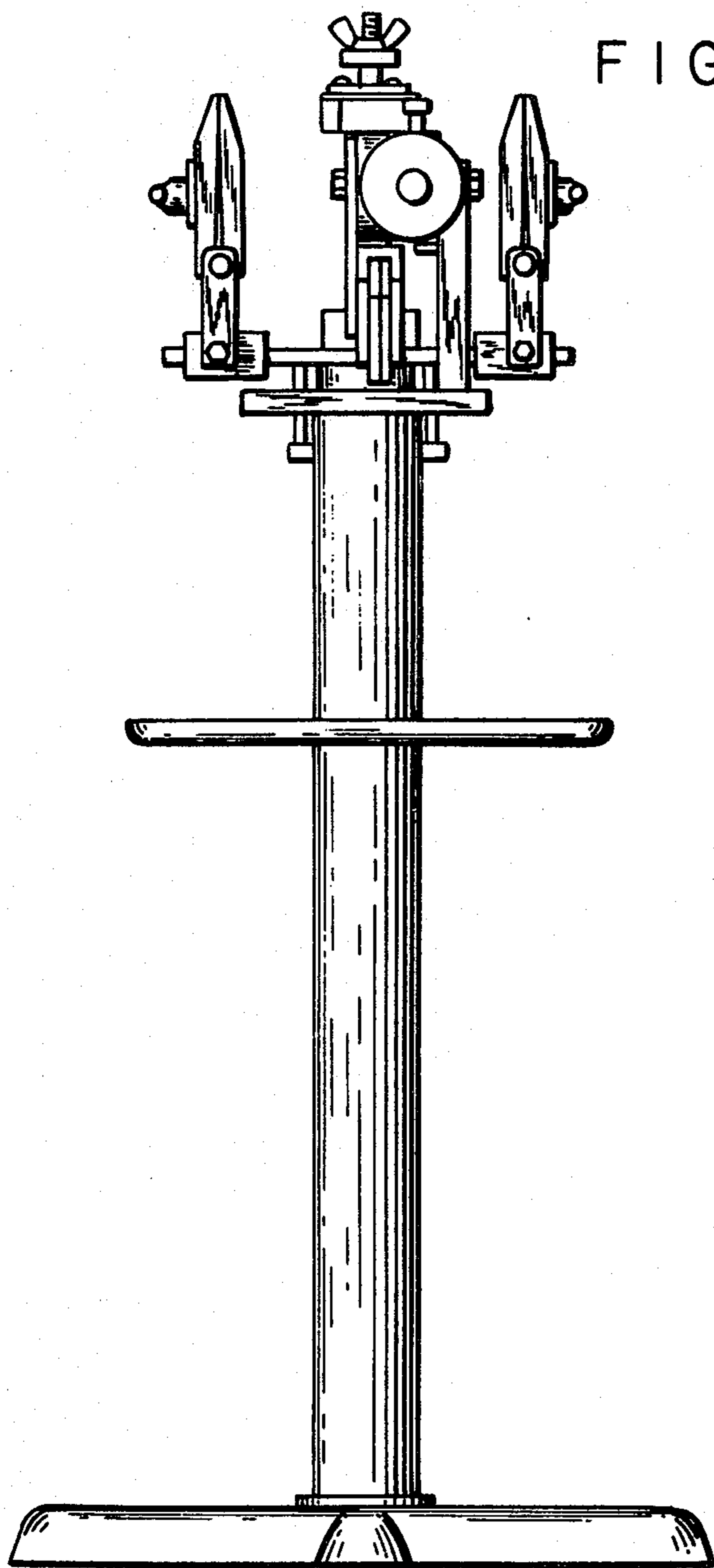


FIG. 4

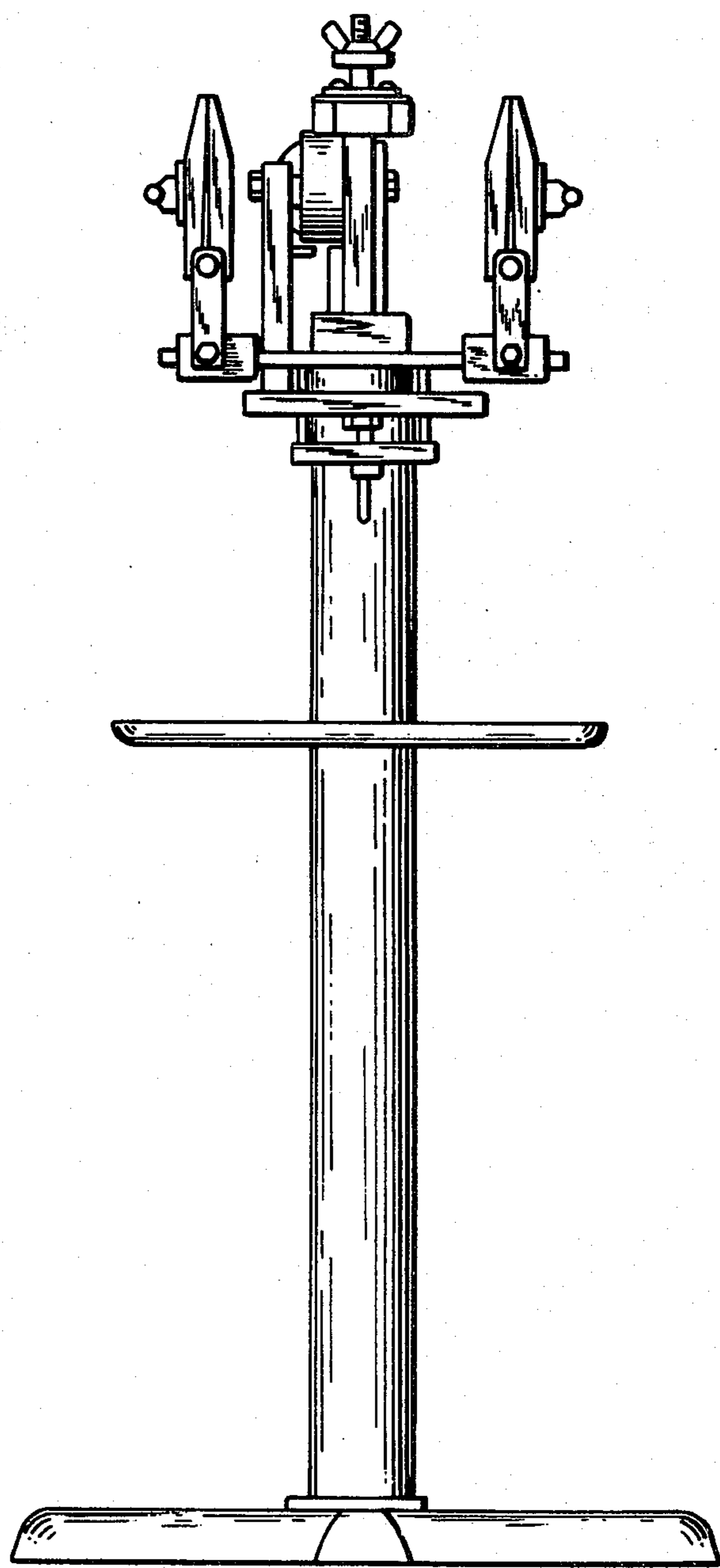


FIG. 5

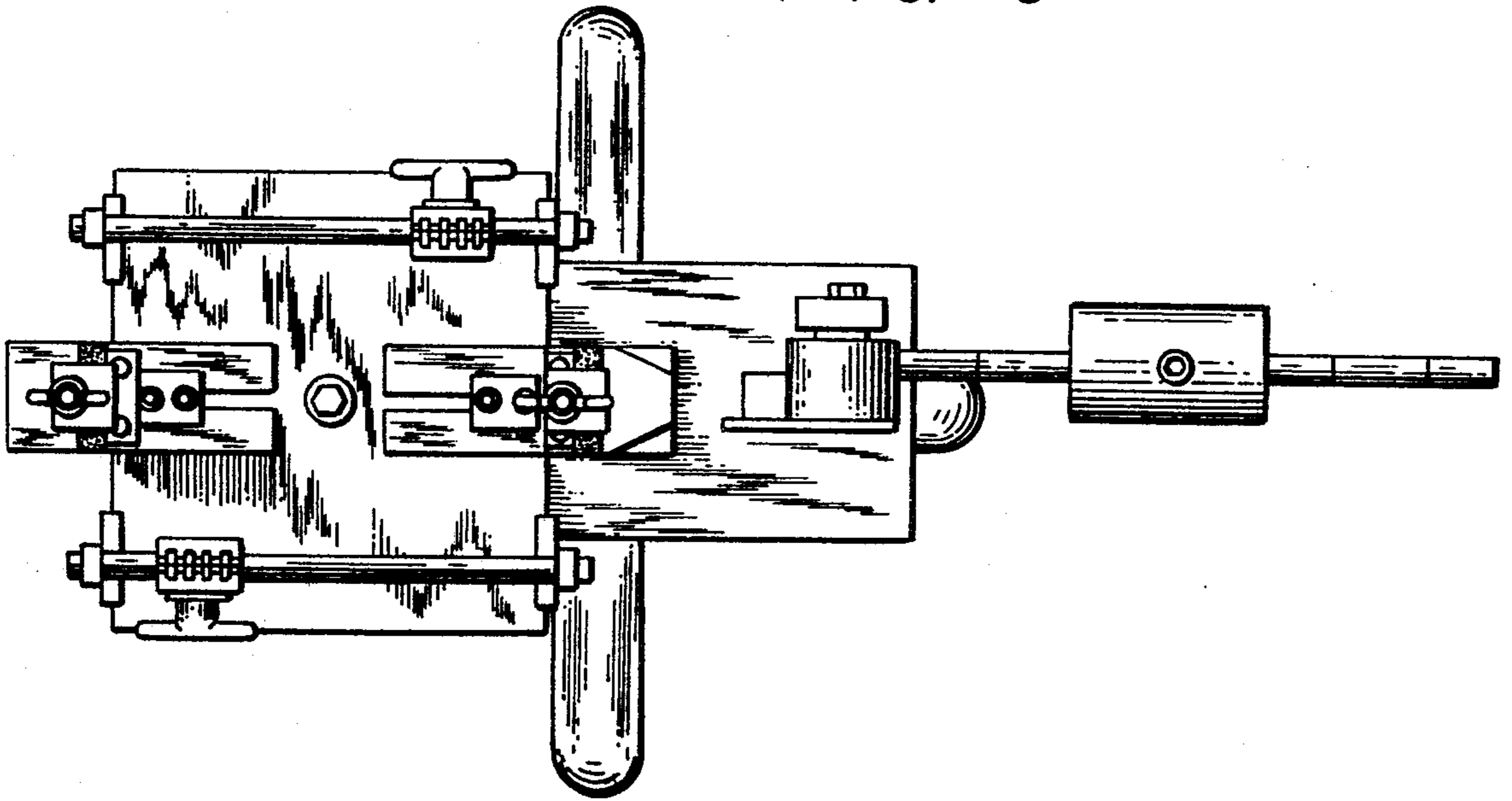


FIG. 6

