

[54] VACUUM FORMING APPARATUS

DESCRIPTION

[76] Inventor: Henry H. Jenkins, 864 W. Hacienda Dr., Corona, Calif. 91720

FIG. 1 is a front elevational view of a vacuum forming apparatus showing my new design;

[\*\*] Term: 14 Years

FIG. 2 is a side elevational view taken from the left of FIG. 1;

[21] Appl. No.: 259,012

FIG. 3 is a side elevational view taken from the right of FIG. 1;

[22] Filed: Apr. 30, 1981

FIG. 4 is a top plan view of FIG. 1, the bottom being plain;

[52] U.S. Cl. .... D15/146

FIG. 5 is a rear elevational view of FIG. 1;

[58] Field of Search ..... D15/145, 146; 53/509, 53/510

FIG. 6 is a front elevational view of a second embodiment of the design of FIG. 1; all other surfaces being identical to the embodiment of FIG. 1;

[56] References Cited

U.S. PATENT DOCUMENTS

D. 208,496	9/1967	Kreitz	.....	D15/146
D. 225,897	1/1973	Jenkins	.....	D15/146
3,377,770	4/1968	Rorer	.....	53/509
3,449,886	6/1969	Connelly et al.	.....	53/509
3,501,886	3/1970	Watts et al.	.....	53/509
3,512,335	5/1970	Rorer	.....	53/509

FIG. 7 is a front elevational view of a third embodiment of the design of FIG. 1;

Primary Examiner—B. J. Bullock

FIG. 8 is a side elevational view taken from the left of FIG. 7;

Attorney, Agent, or Firm—Woolding, Krost & Rust

FIG. 9 is a side elevational view taken from the right of FIG. 7;

[57] CLAIM

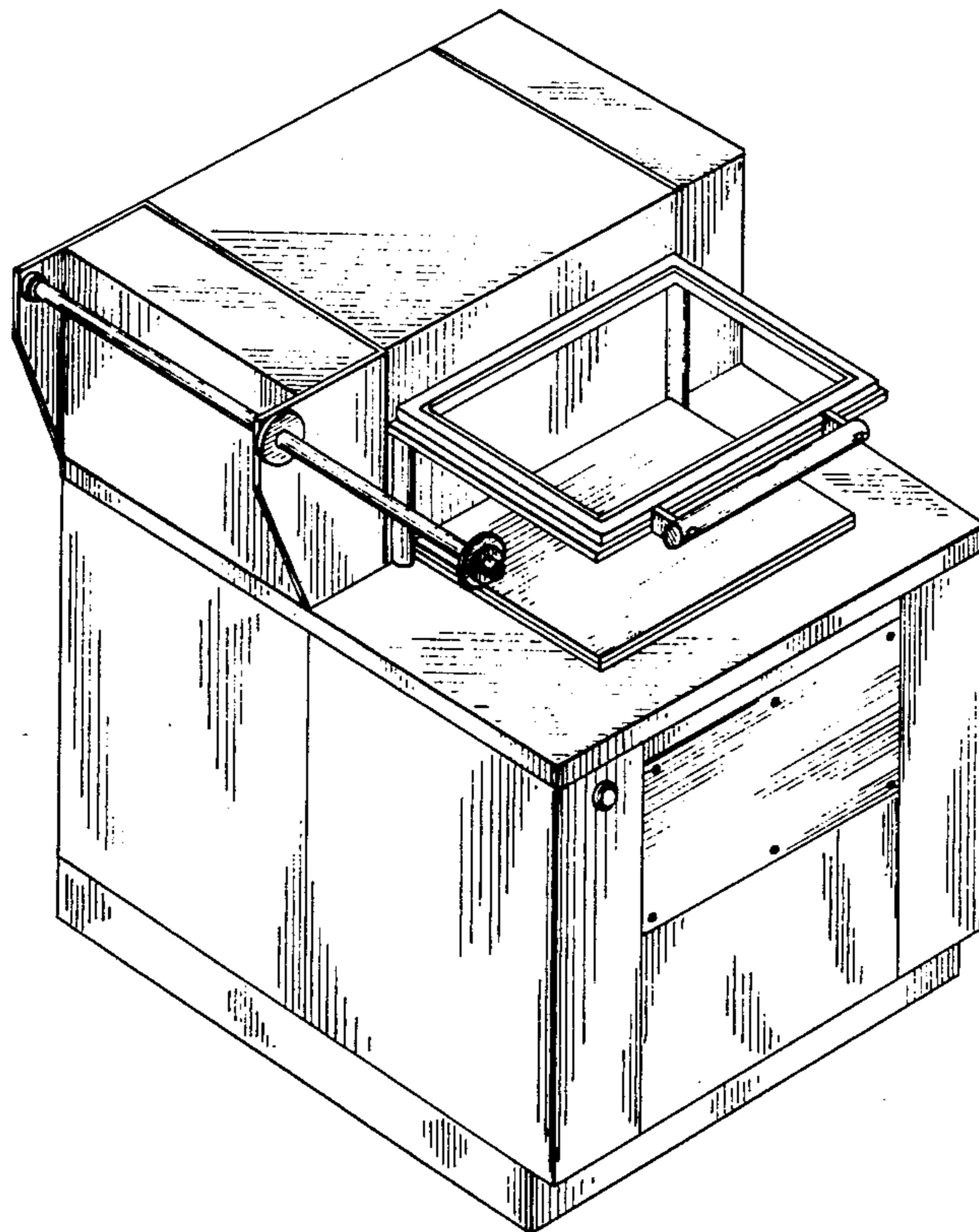
FIG. 10 is a top plan view of FIG. 7, the bottom being plain;

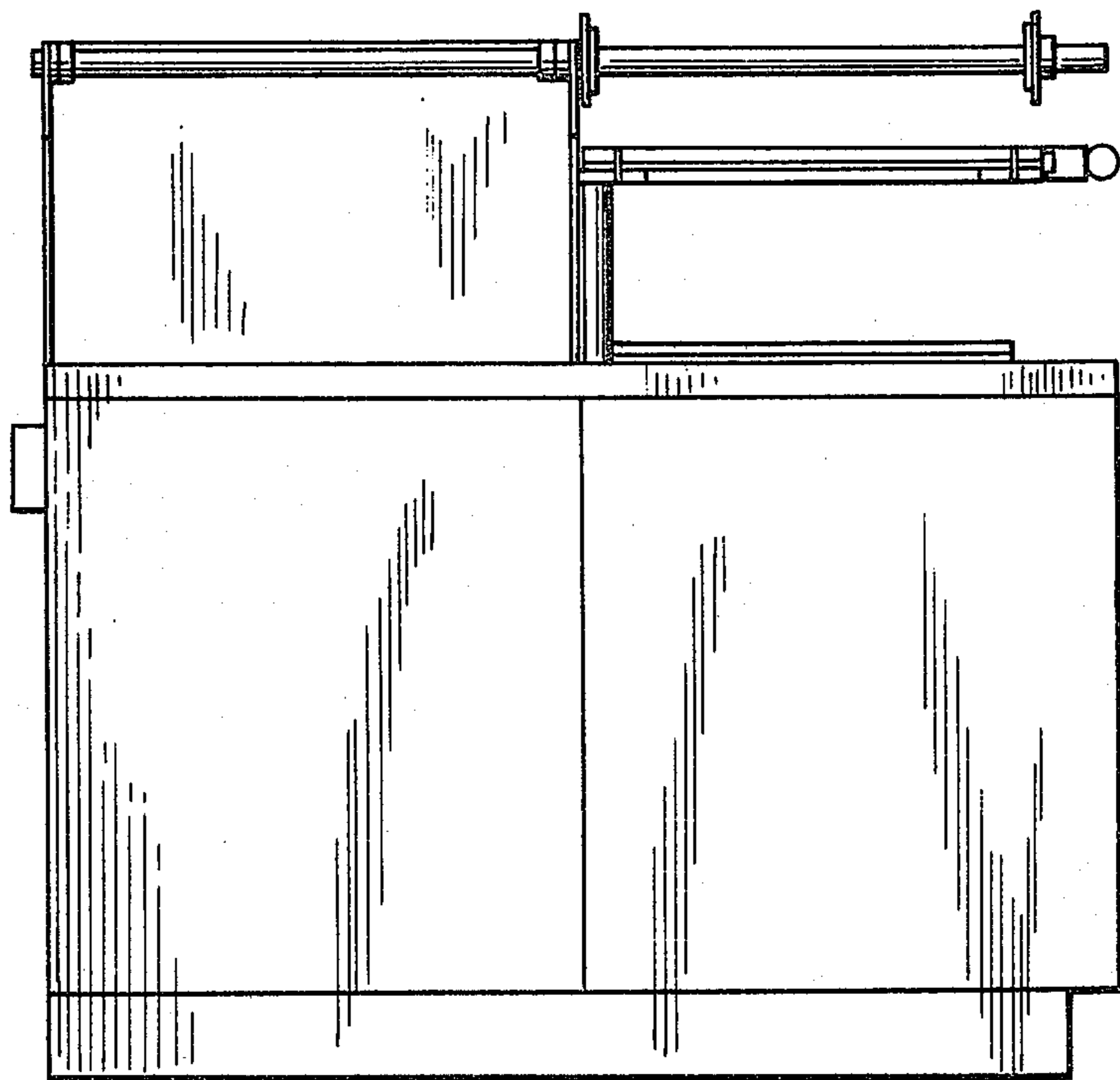
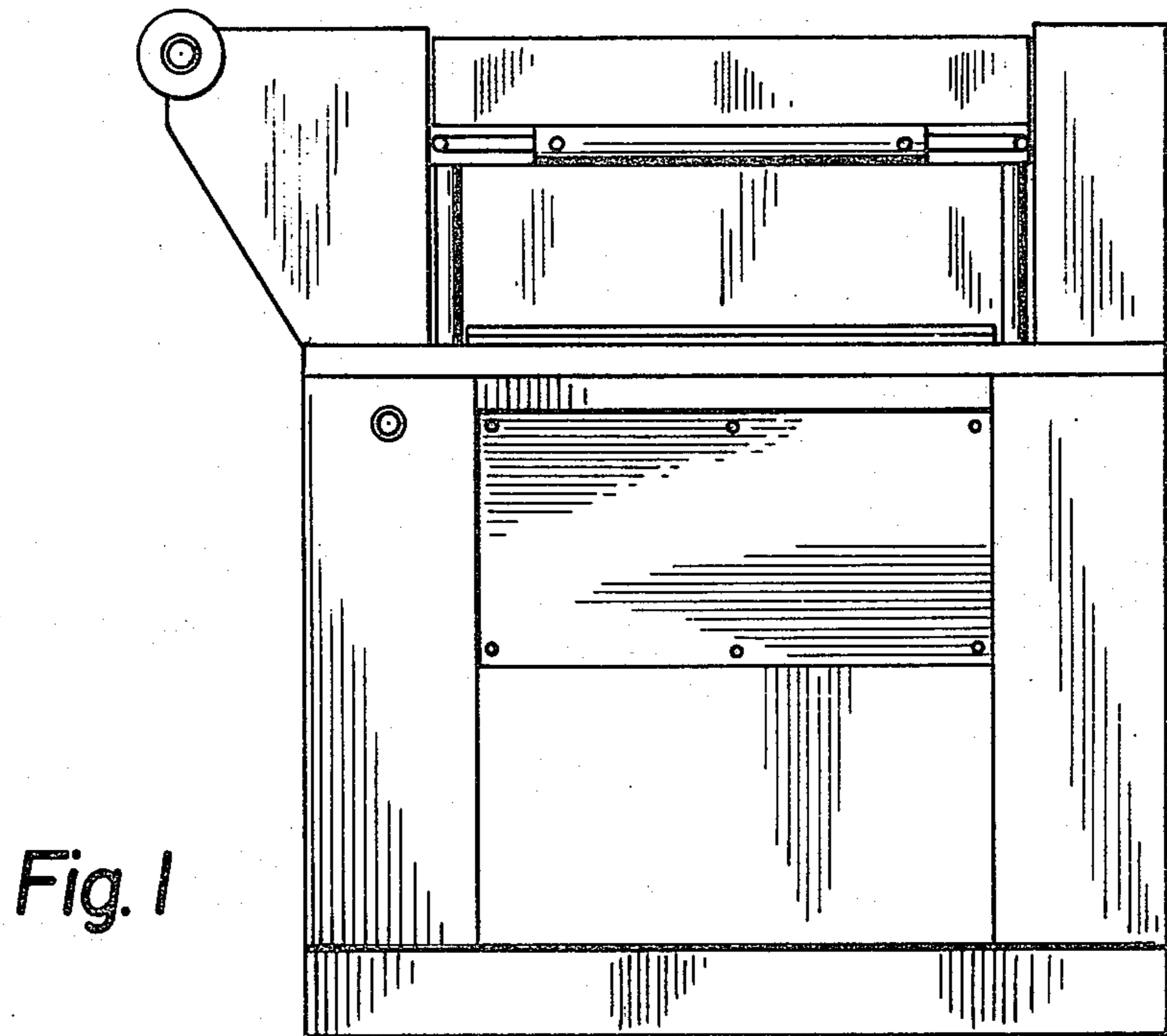
The ornamental design for a vacuum forming apparatus, as shown and described.

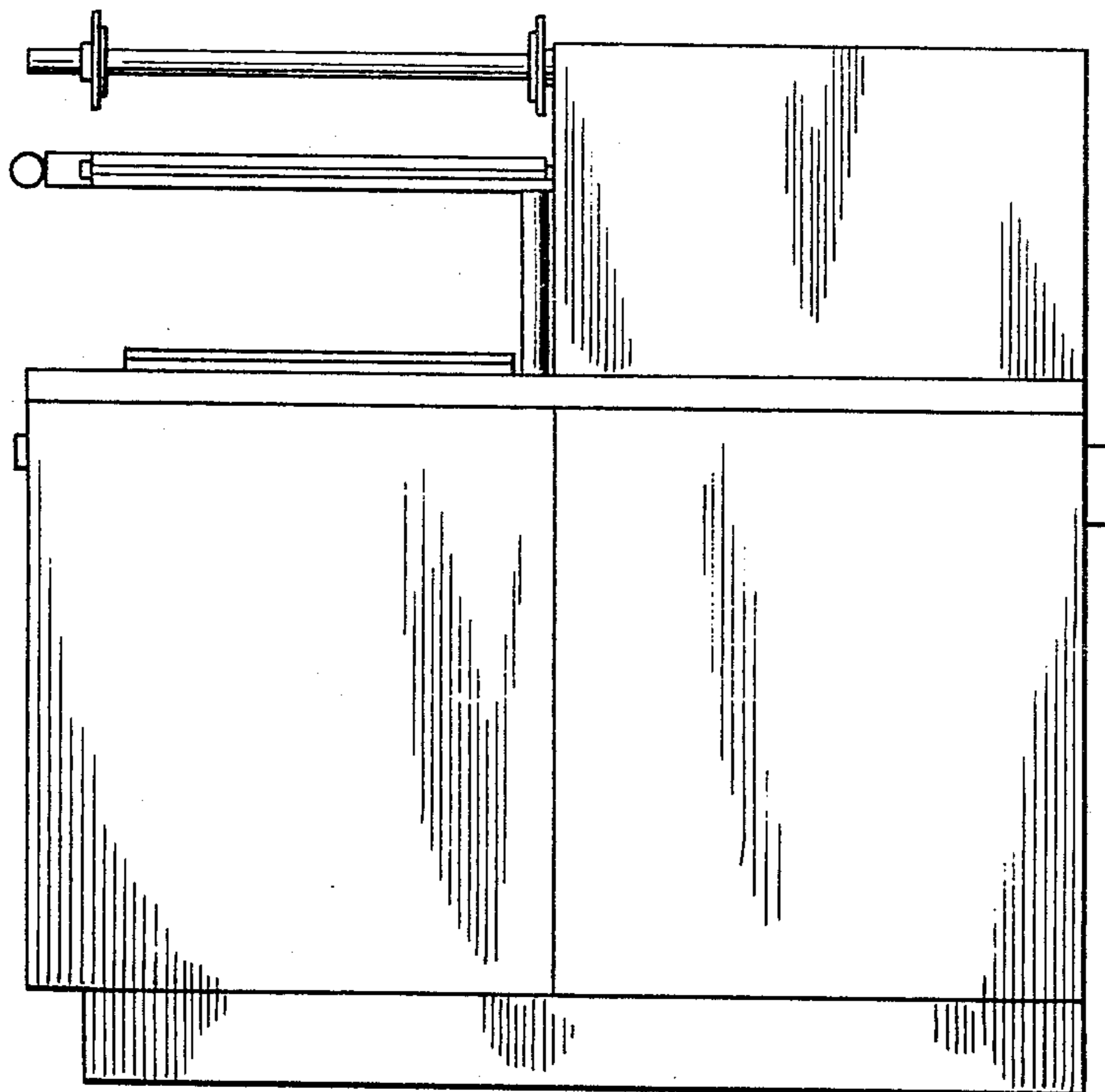
FIG. 11 is a rear elevational view of FIG. 7;

FIG. 12 is a front elevational view of a third embodiment of the design of FIG. 1; all other surfaces being identical to the embodiment of FIG. 7;

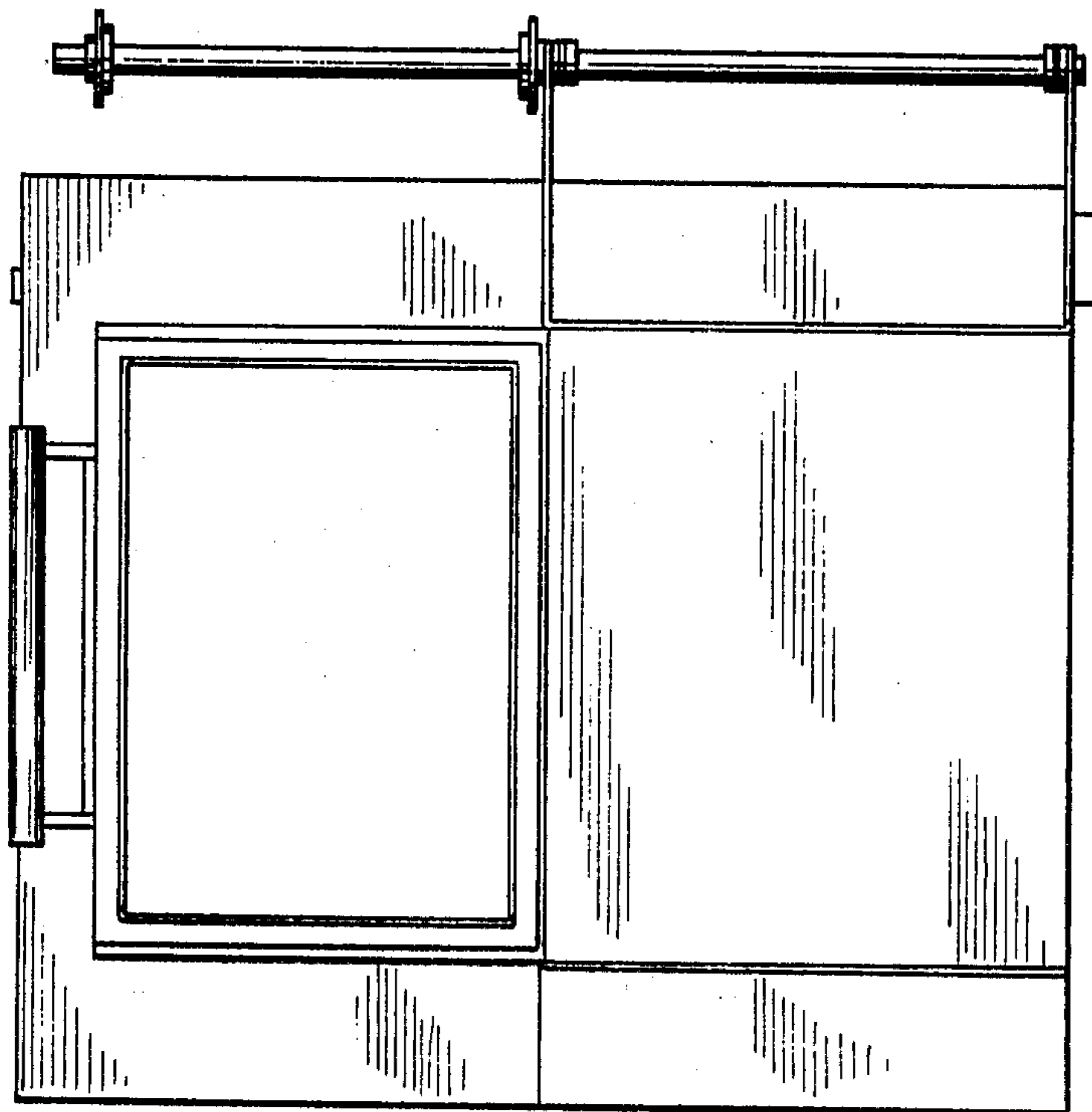
FIG. 13 is a perspective view of FIG. 1.







*Fig. 3*



*Fig. 4*

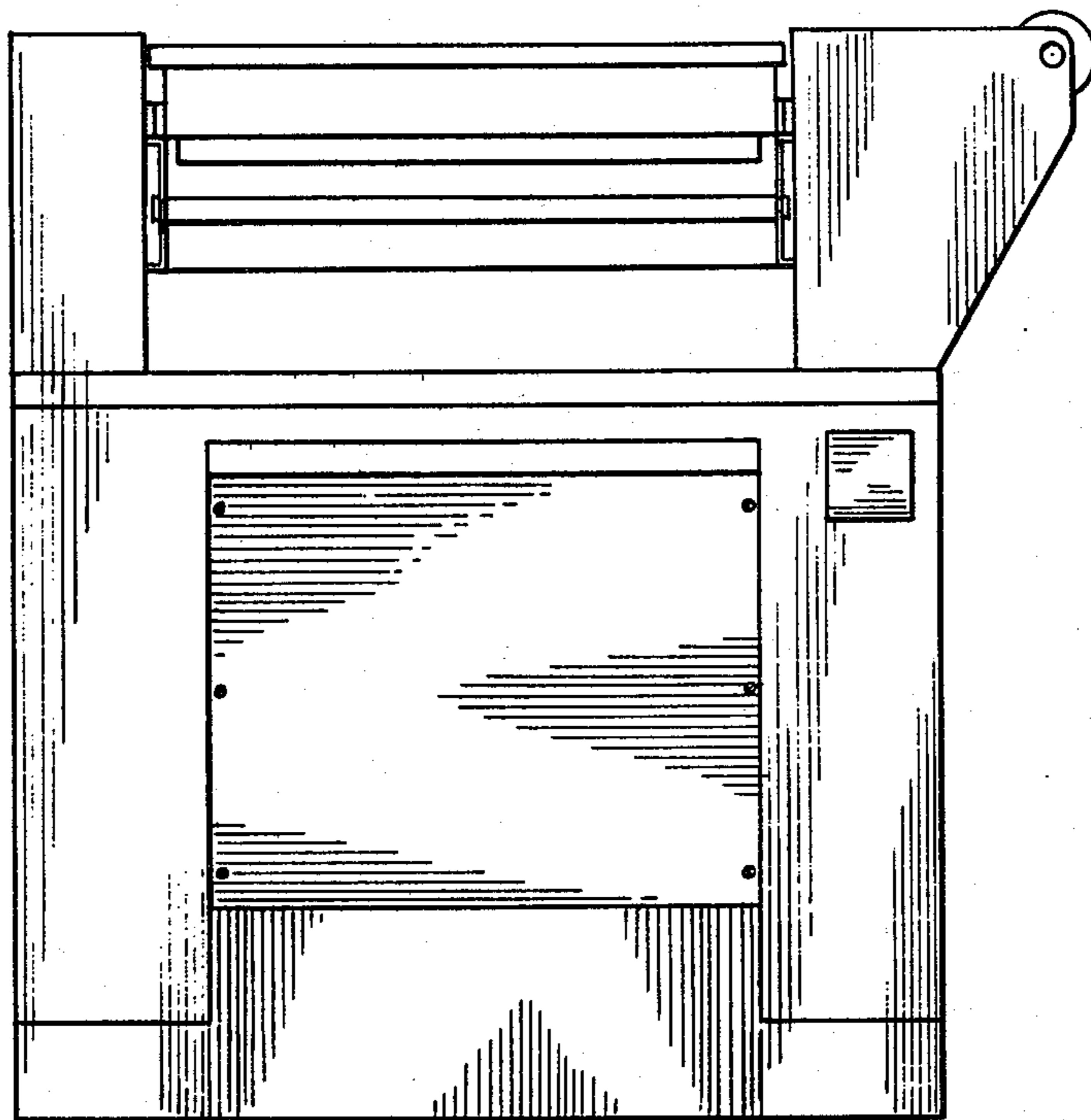


Fig. 5

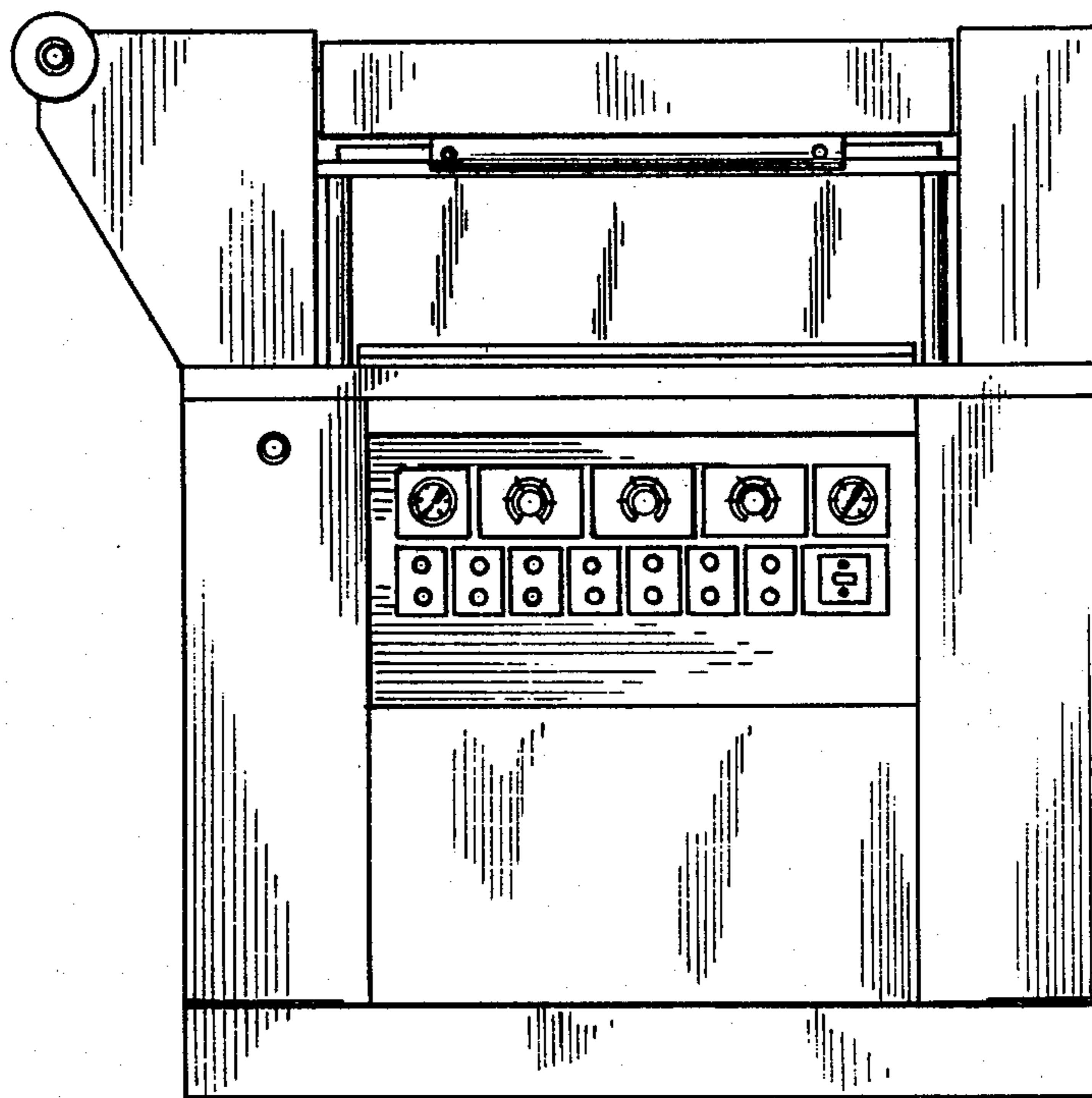
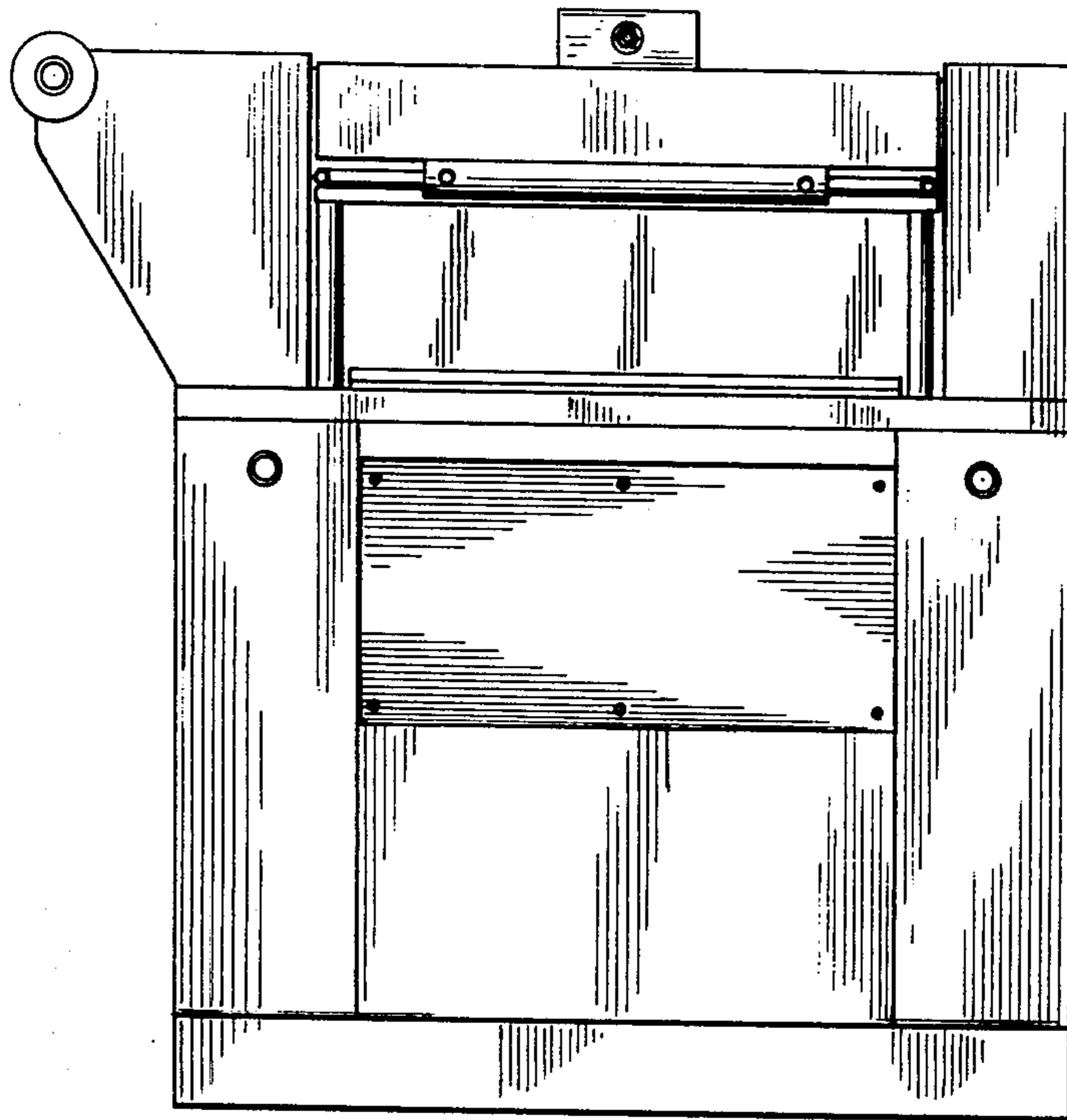
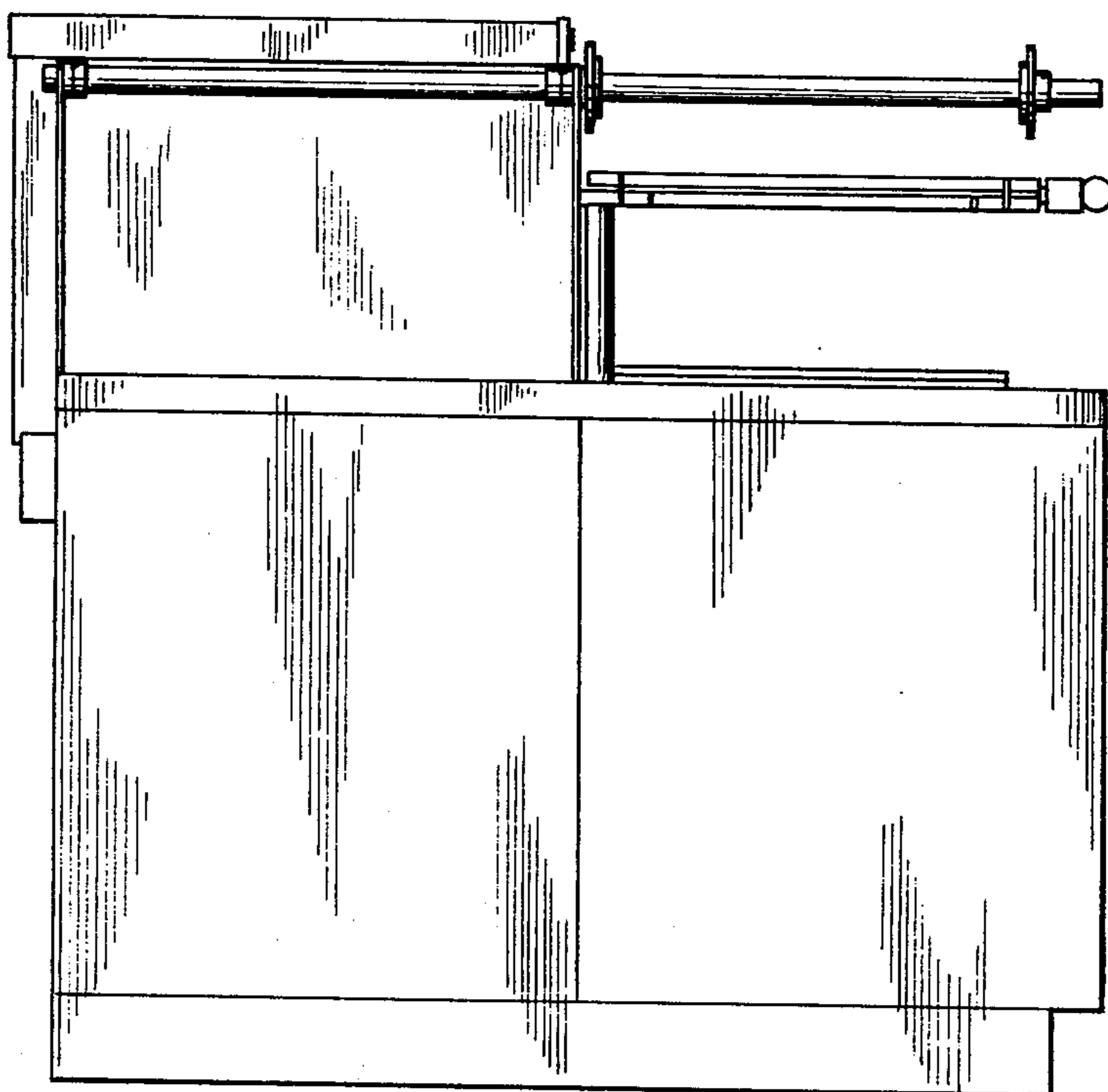


Fig. 6





*Fig. 7*



*Fig. 8*

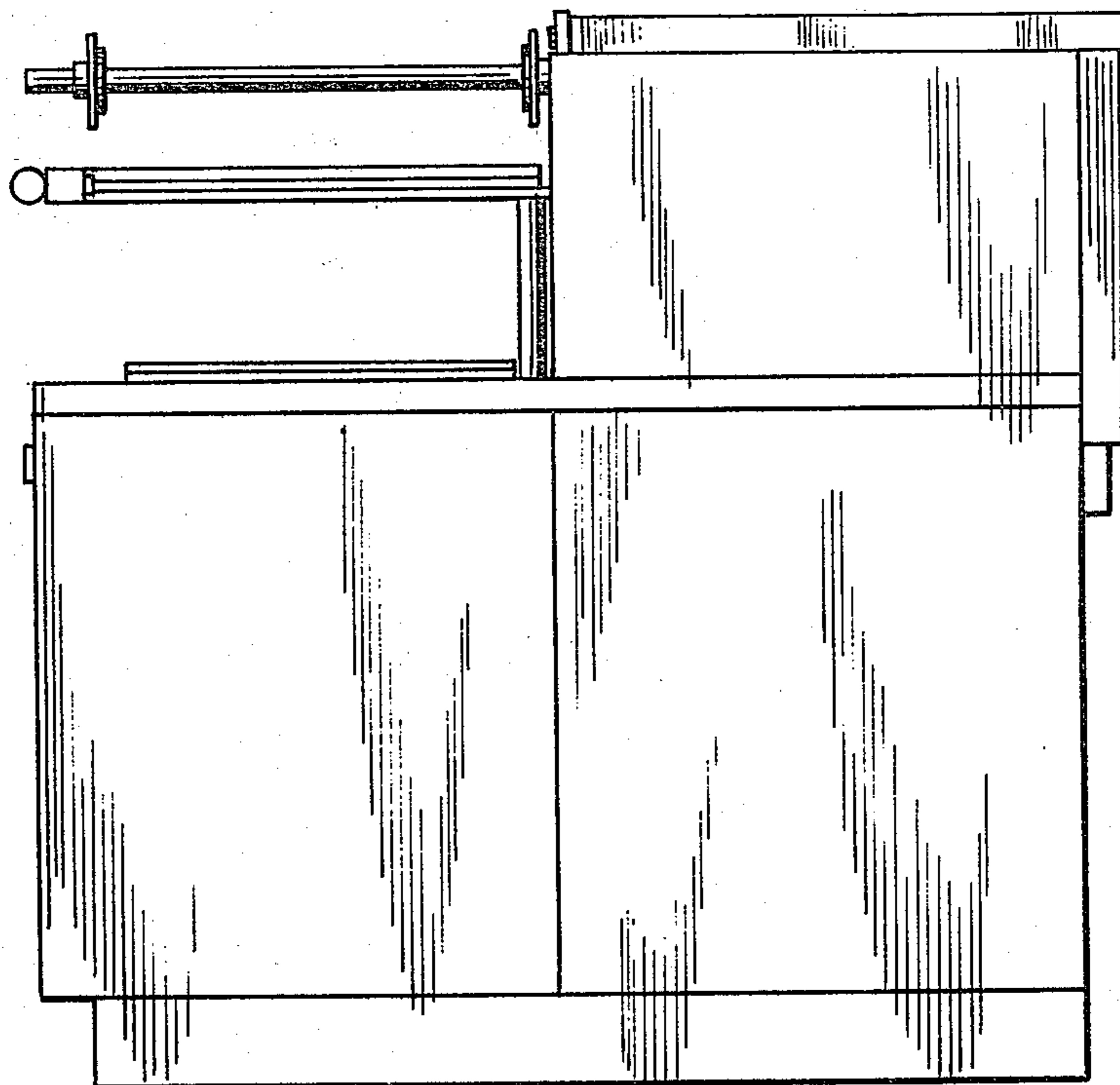


Fig. 9

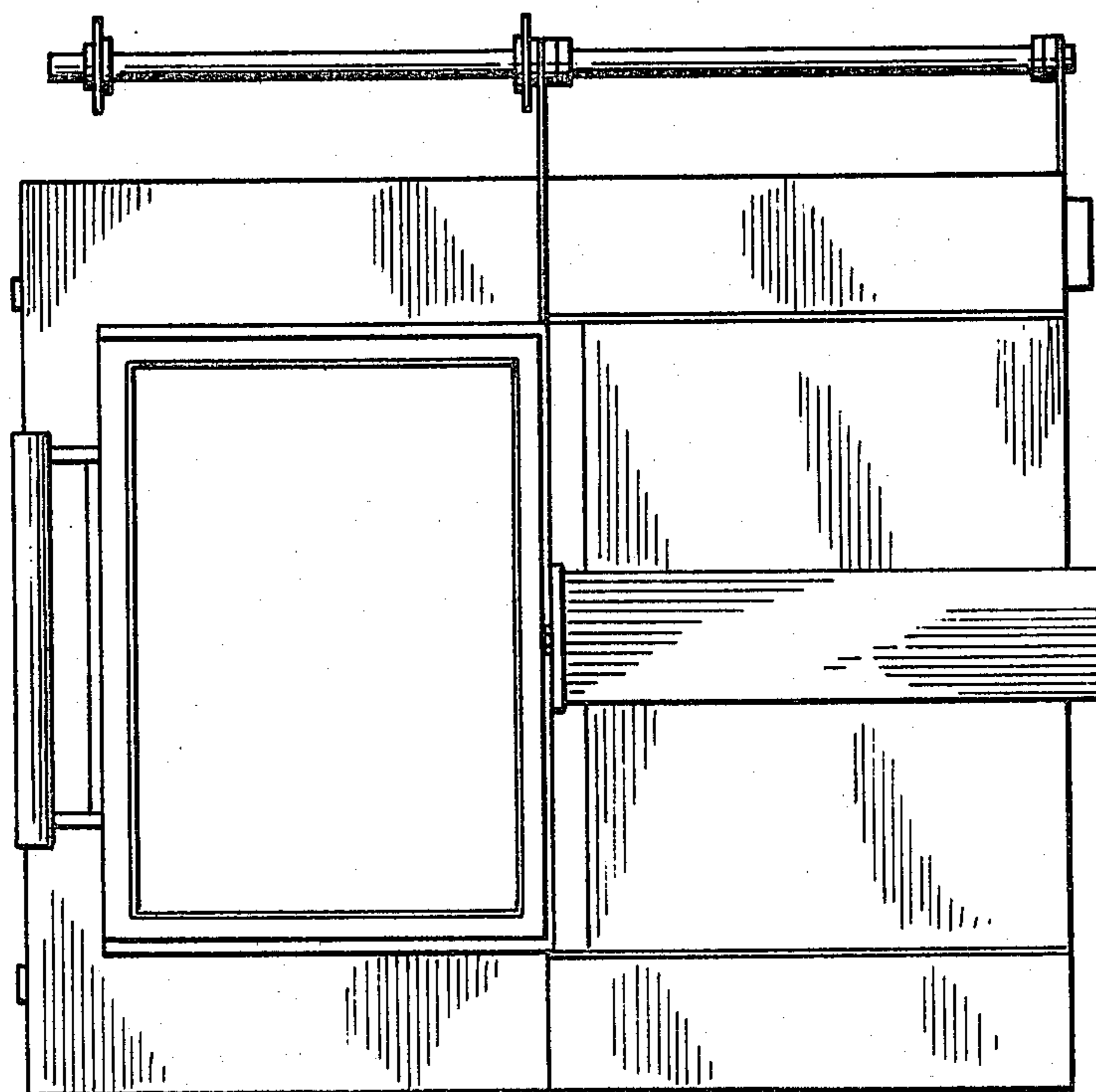
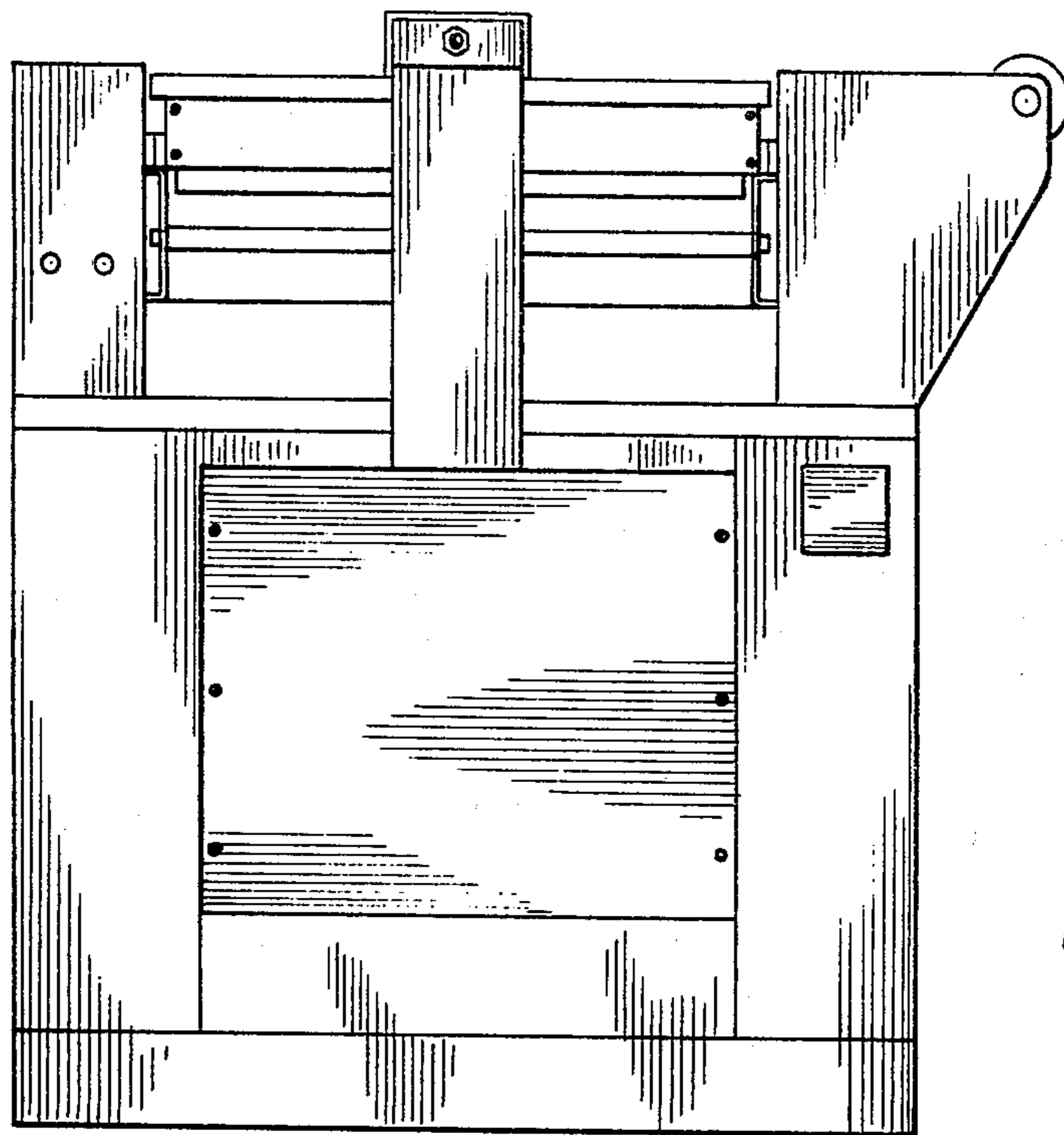
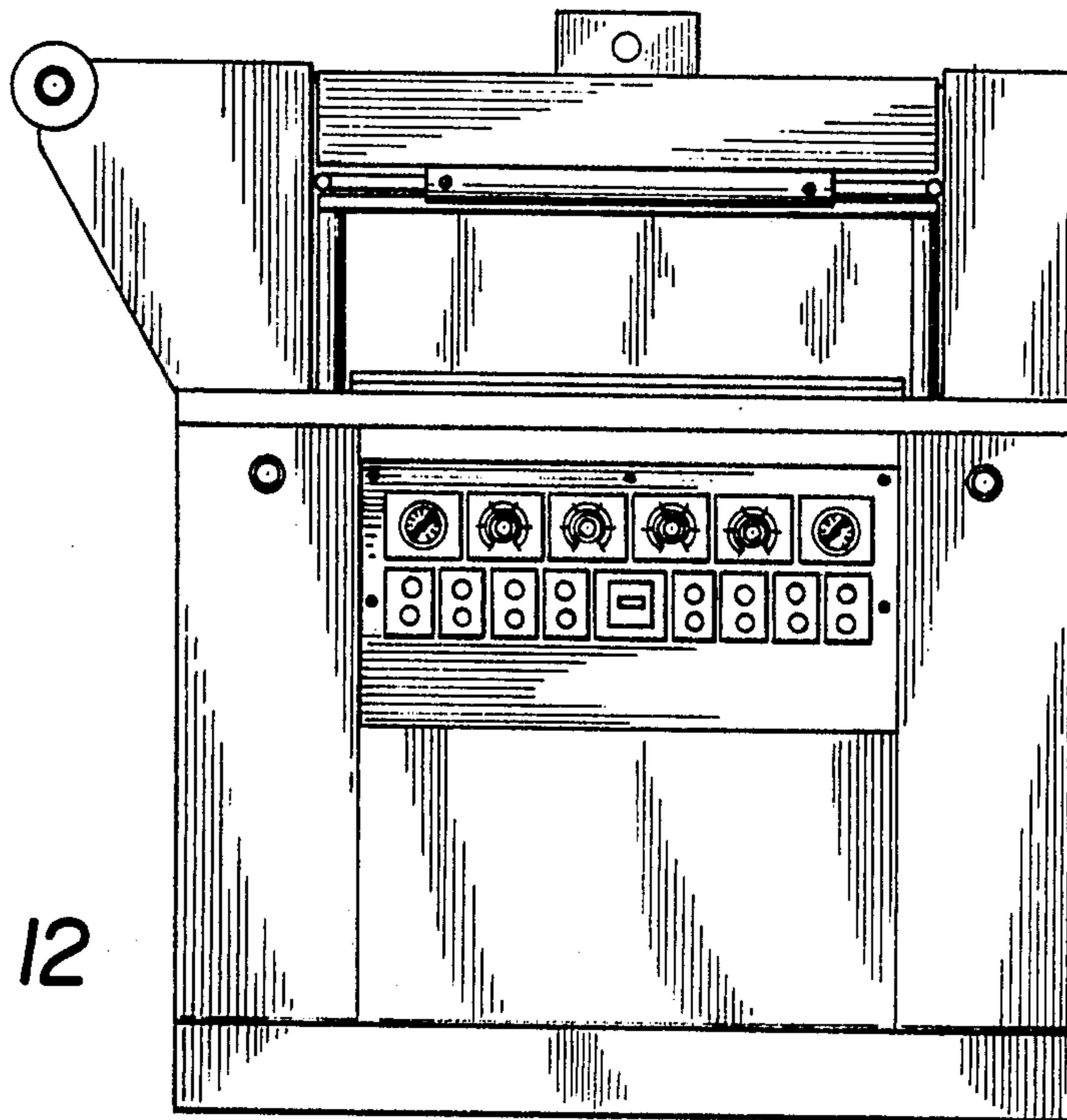


Fig. 10



*Fig. 11*



*Fig. 12*

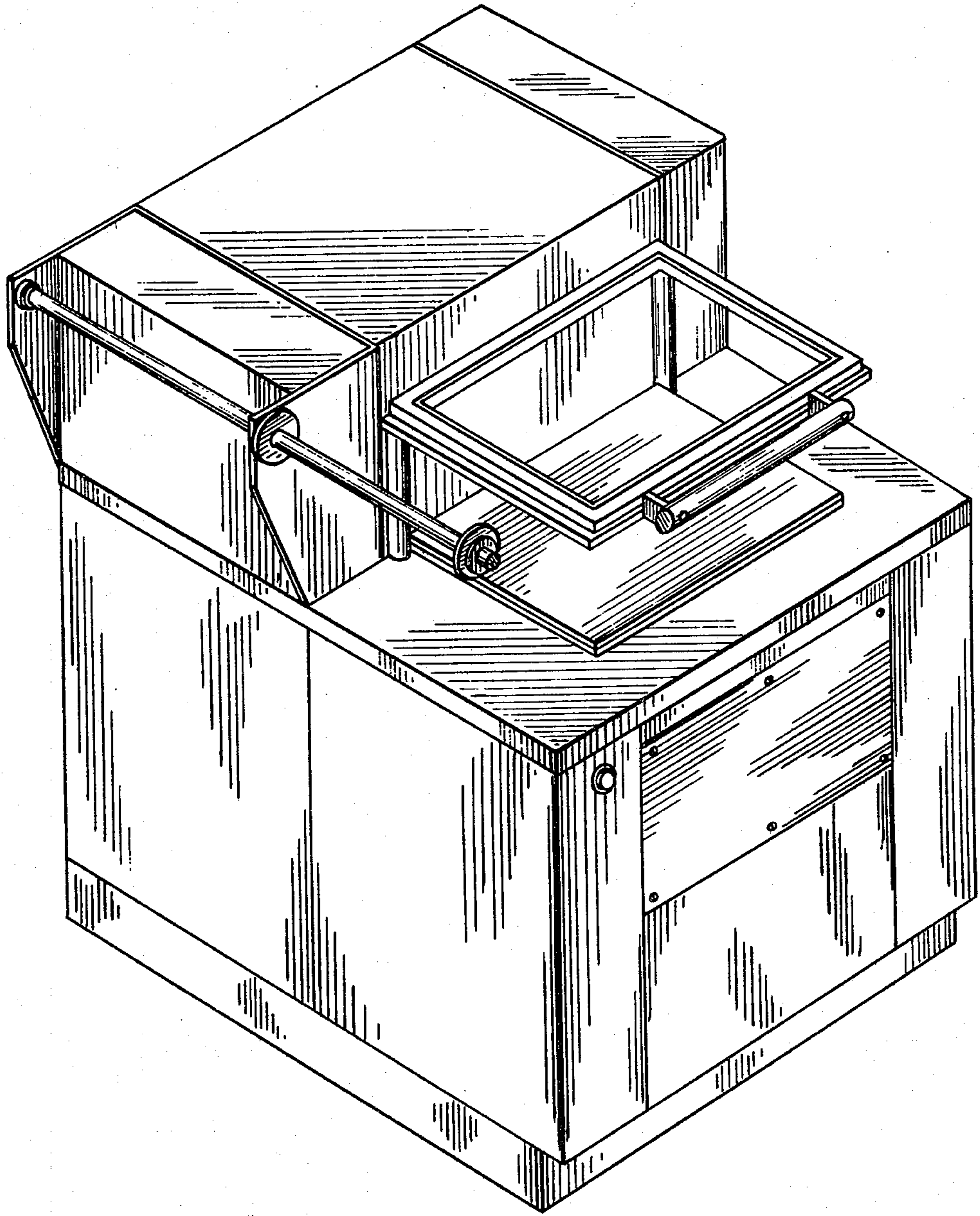


Fig. 13