

[54] WOOD SPLITTER

[76] Inventors: Robert W. Harris, 6608 28th Ave. NW, Seattle, Wash. 98117; William R. Weber, 4200 50th Ave. NE, Seattle, Wash. 98105

[**] Term: 14 Years

[21] Appl. No.: 267,625

[22] Filed: May 19, 1981

[52] U.S. Cl. D15/127

[58] Field of Search D15/122, 127; 144/193 R, 193 B, 193 A, 193 D, 193 K

[56] References Cited

U.S. PATENT DOCUMENTS

- D. 240,073 5/1976 Ebbinghaus D15/127
- D. 253,654 12/1979 Davis D15/127

- 3,982,572 9/1976 Kortendick 144/193 B
- 4,033,390 7/1977 Piontkowski 144/193 R
- 4,211,264 7/1980 Cross 144/193 R

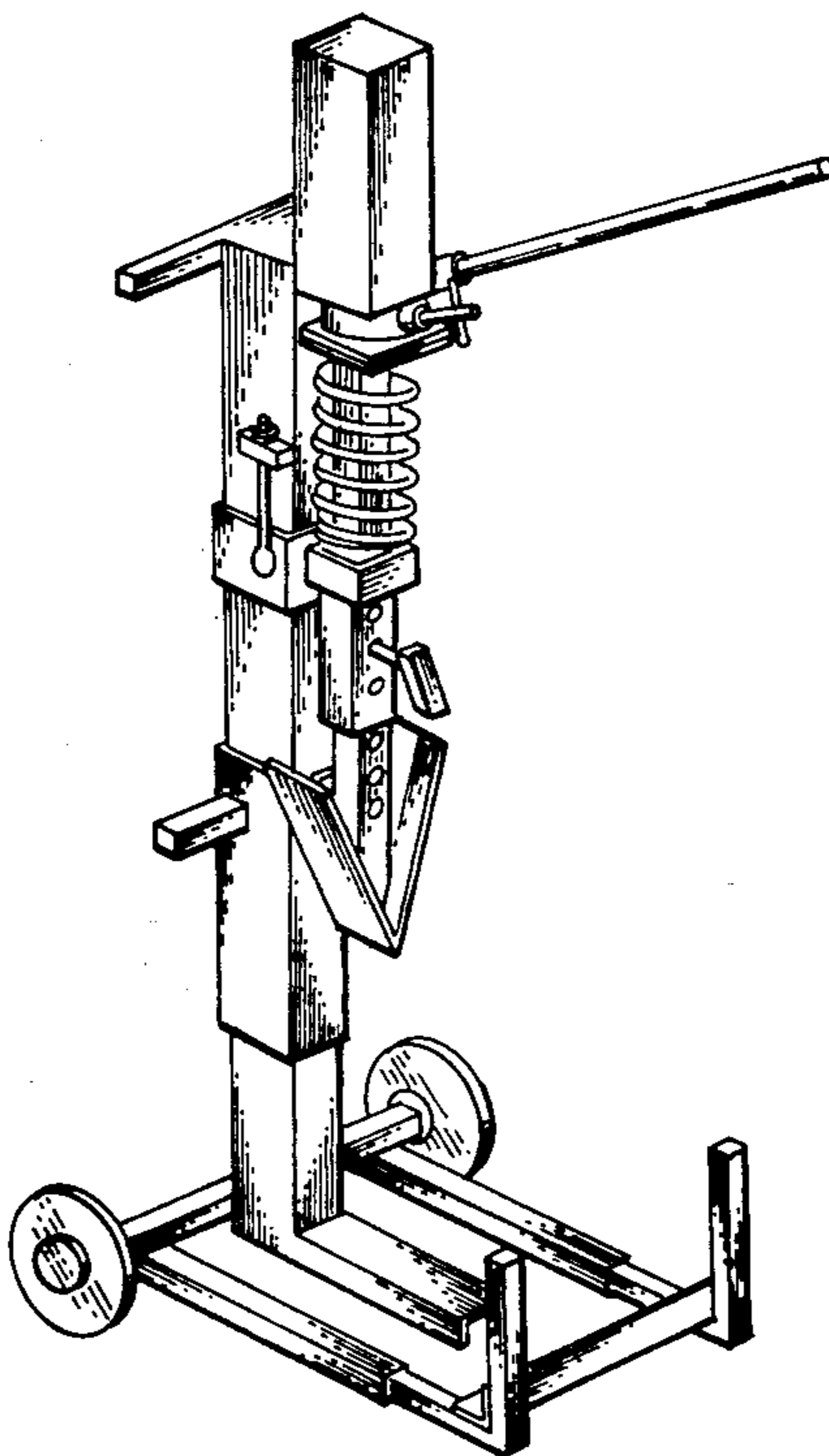
Primary Examiner—B. J. Bullock

[57] CLAIM

The ornamental design for a wood splitter, as shown and described.

DESCRIPTION

FIG. 1 is a perspective view of a wood splitter showing our new design;
 FIG. 2 is a side view taken from the left side of FIG. 1;
 FIG. 3 is a front view thereof;
 FIG. 4 is a side view taken from the right side of FIG. 1;
 FIG. 5 is a rear view thereof;
 FIG. 6 is a bottom view thereof;
 FIG. 7 is a top view thereof.



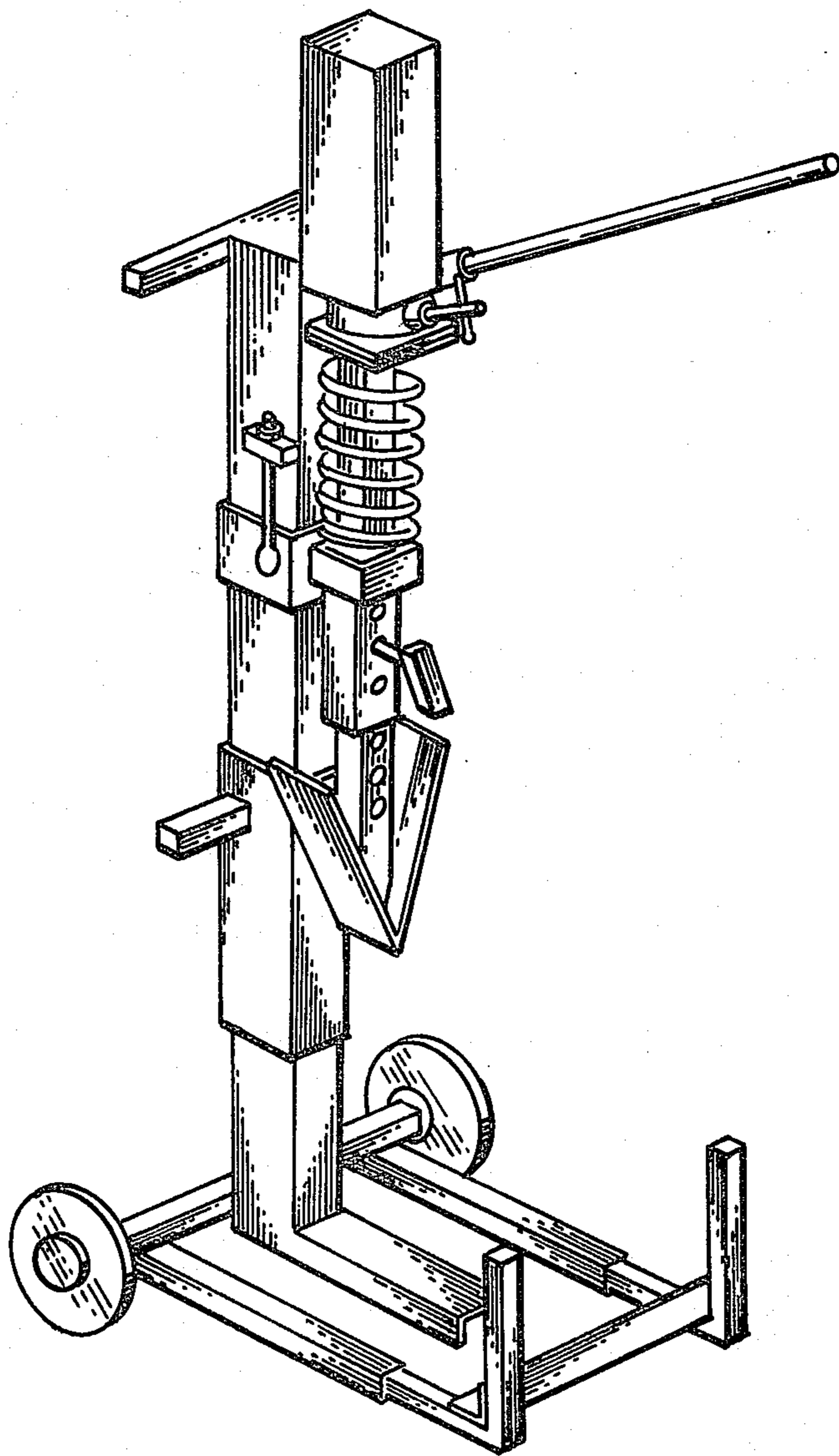


FIG. 1

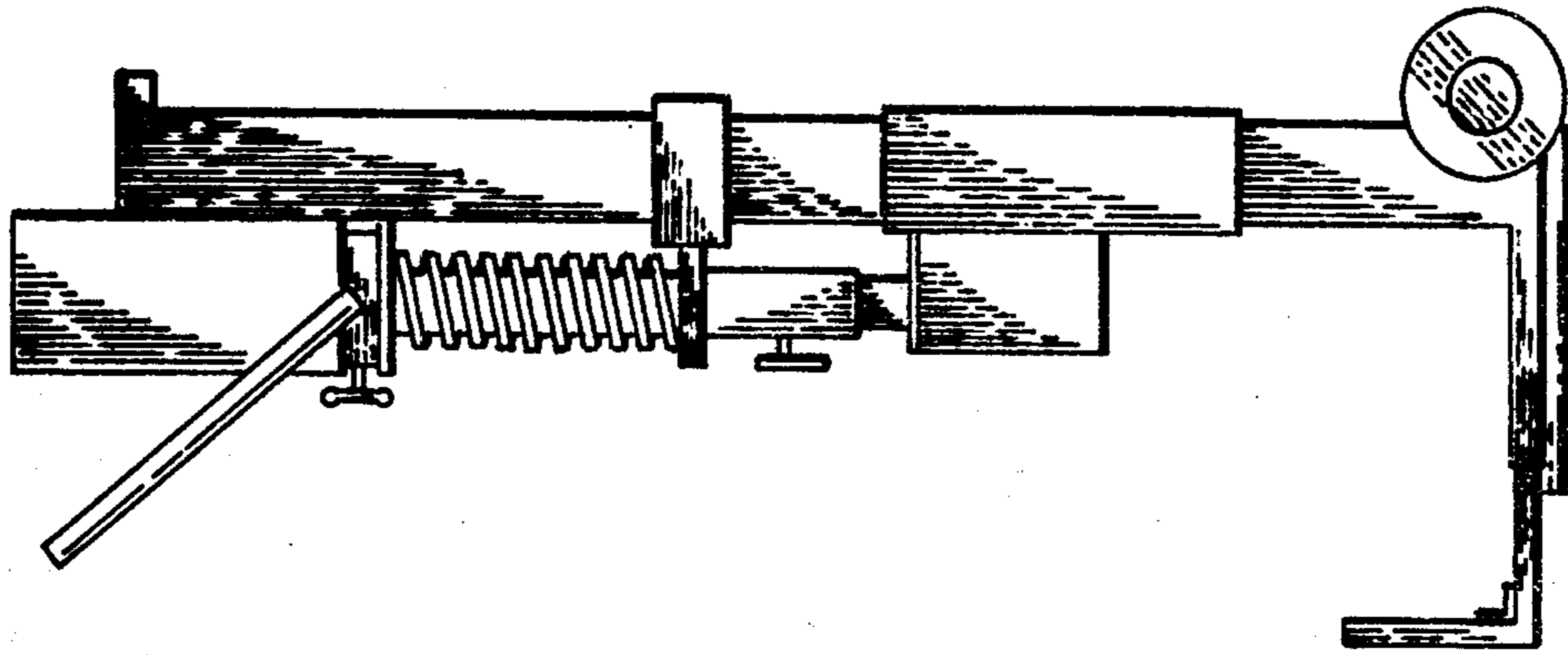


FIG. 4

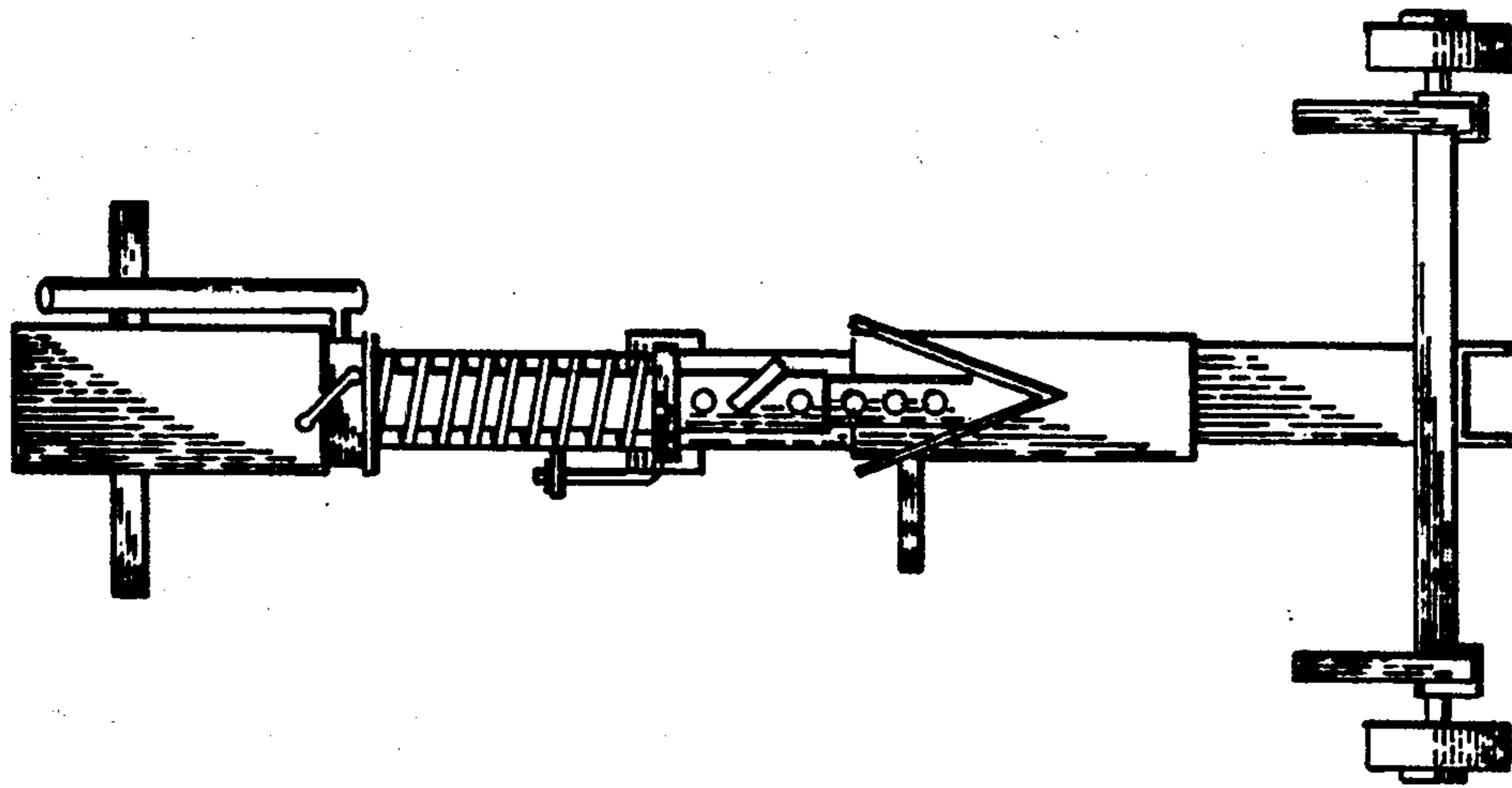


FIG. 3

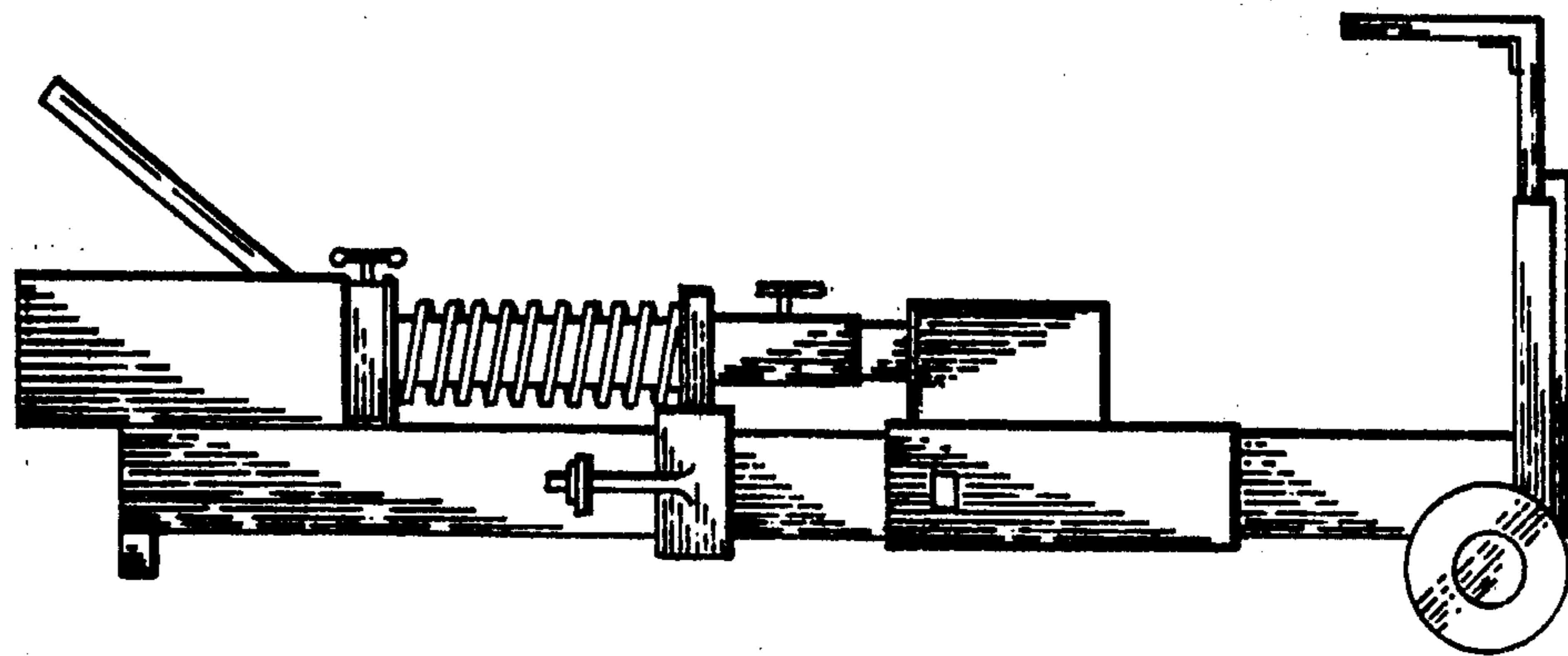


FIG. 2

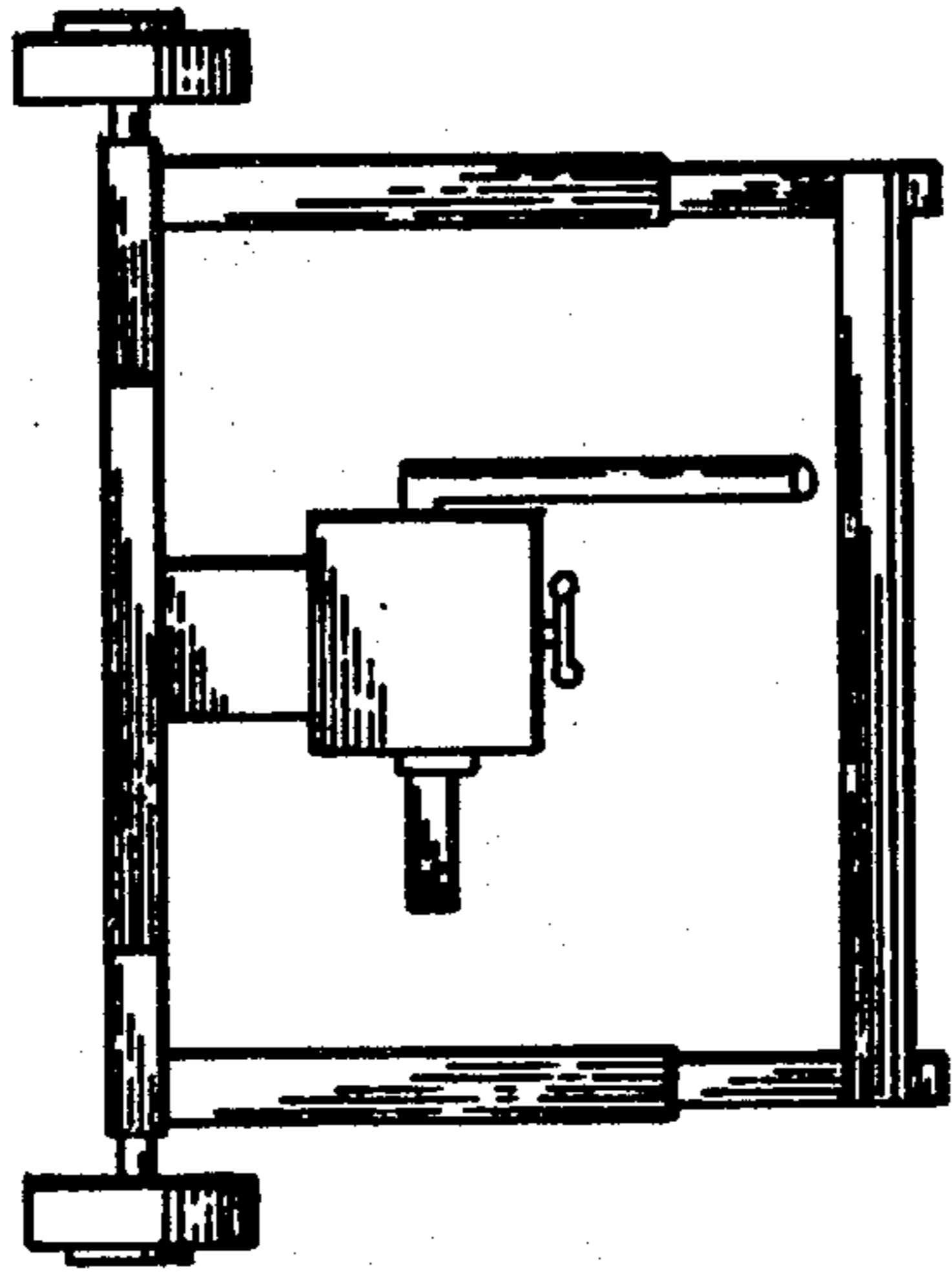


FIG. 7

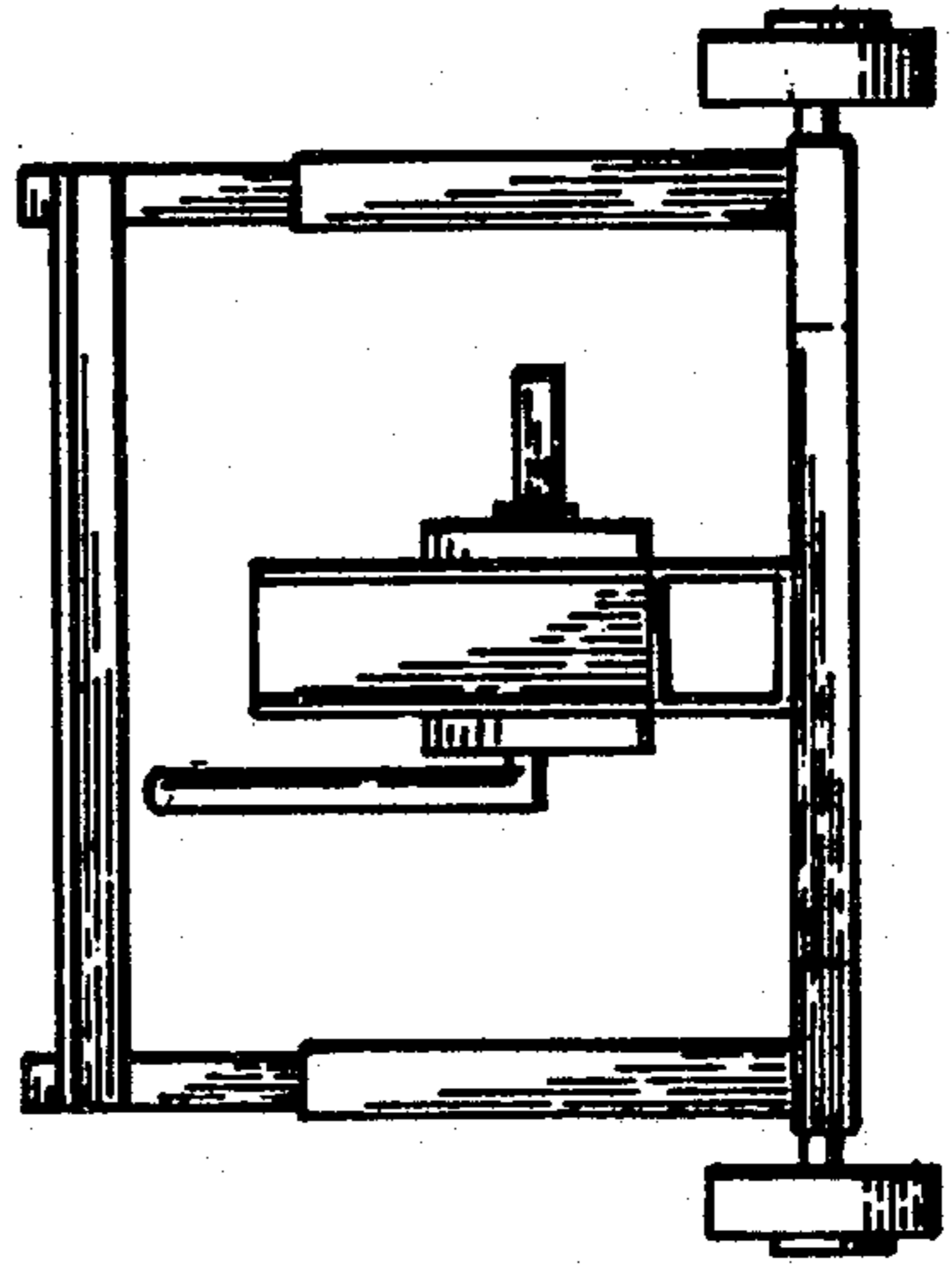


FIG. 6

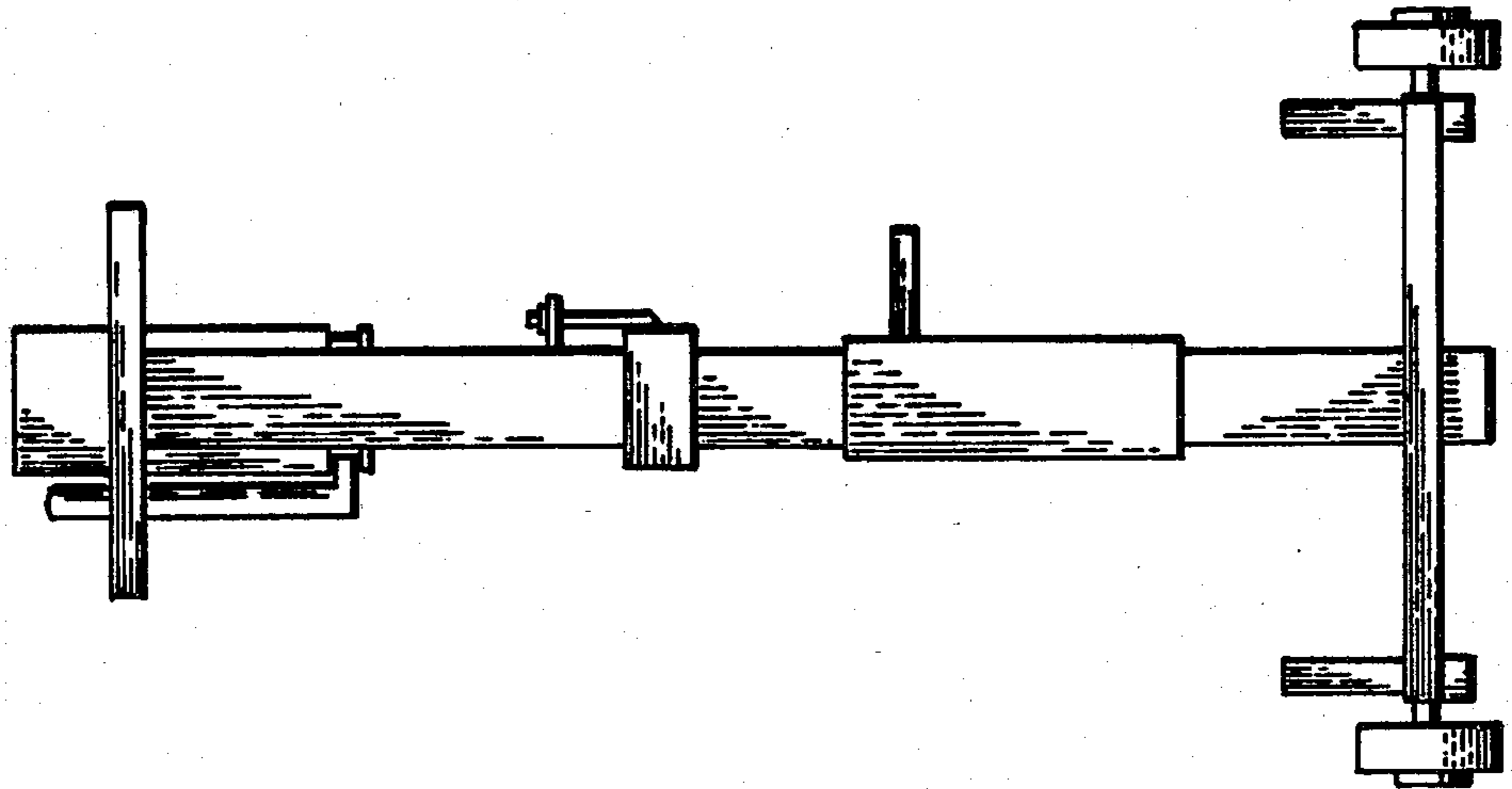


FIG. 5