

[54] ATTACHMENT COUPLER FOR A LOADING MACHINE

[76] Inventor: **Borgar Hustveit**, Toppåsveien 23, 1352 Kolsås, Norway, 1352

[**] Term: **14 Years**

[21] Appl. No.: **444,685**

[22] Filed: **Nov. 26, 1982**

[30] Foreign Application Priority Data

May 28, 1982 [NO] Norway 62 987

[52] U.S. Cl. **D15/32**

[58] Field of Search **D15/10, 28, 32; 37/141 R, 141 T, 142 R, 142 A, 142.5, 115, 117, 116, 118, 103, 117.5; 172/754, 760**

[56]

References Cited

U.S. PATENT DOCUMENTS

2,874,788	2/1959	Altgelt	172/760
2,952,929	9/1960	Lindberg	37/142 R
3,850,252	11/1974	Ingalls	172/760
4,076,080	2/1978	Anderson	37/117.5

Primary Examiner—Wallace R. Burke
Assistant Examiner—Suzanne N. Gitlin
Attorney, Agent, or Firm—Lee C. Robinson, Jr.

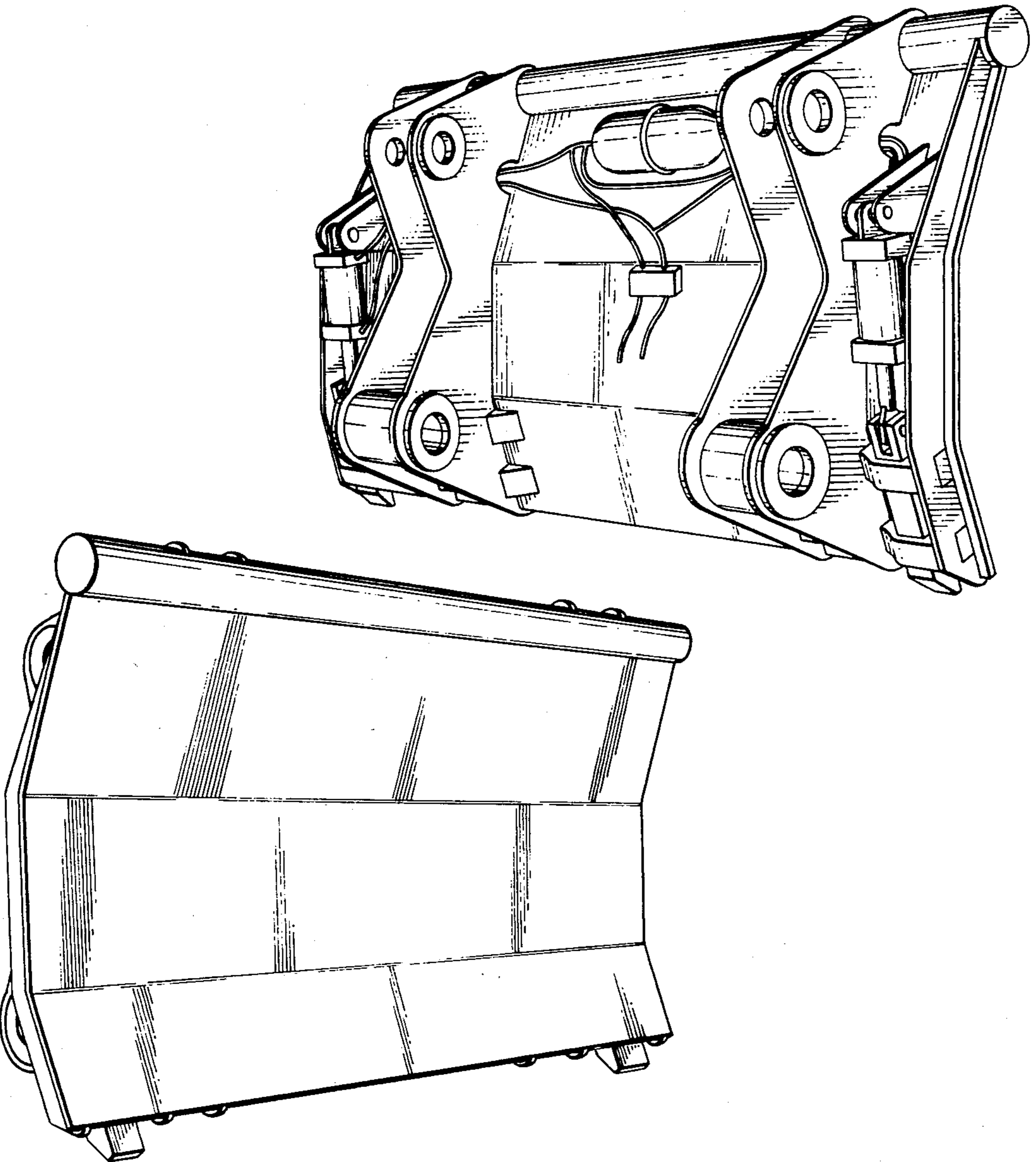
[57]

CLAIM

The ornamental design for an attachment coupler for a loading machine, substantially as shown and described.

DESCRIPTION

FIG. 1 is a rear perspective view of an attachment coupler for a loading machine showing my new design; FIG. 2 is a front perspective view thereof; FIG. 3 is a bottom plan view thereof.



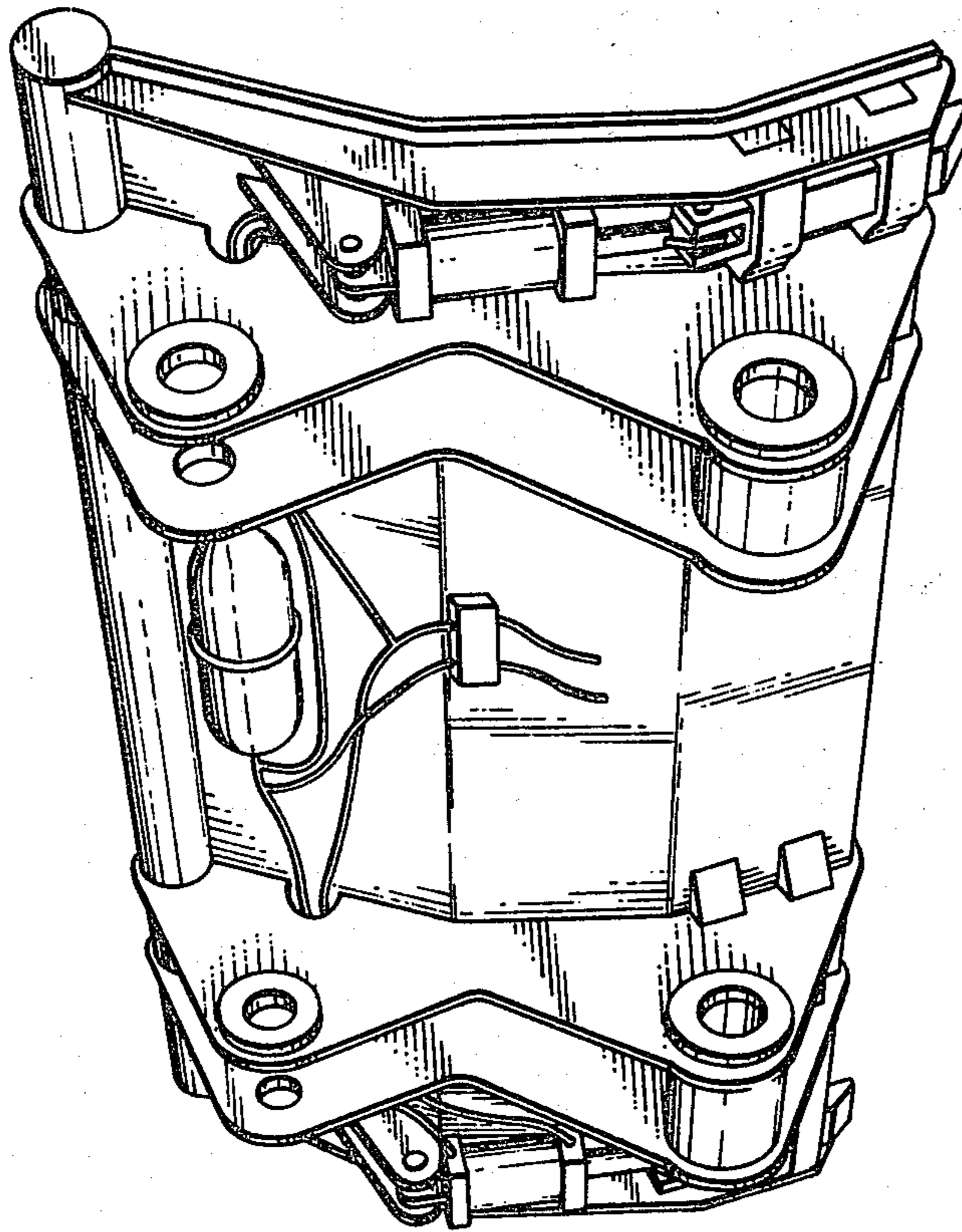


Fig. 1.

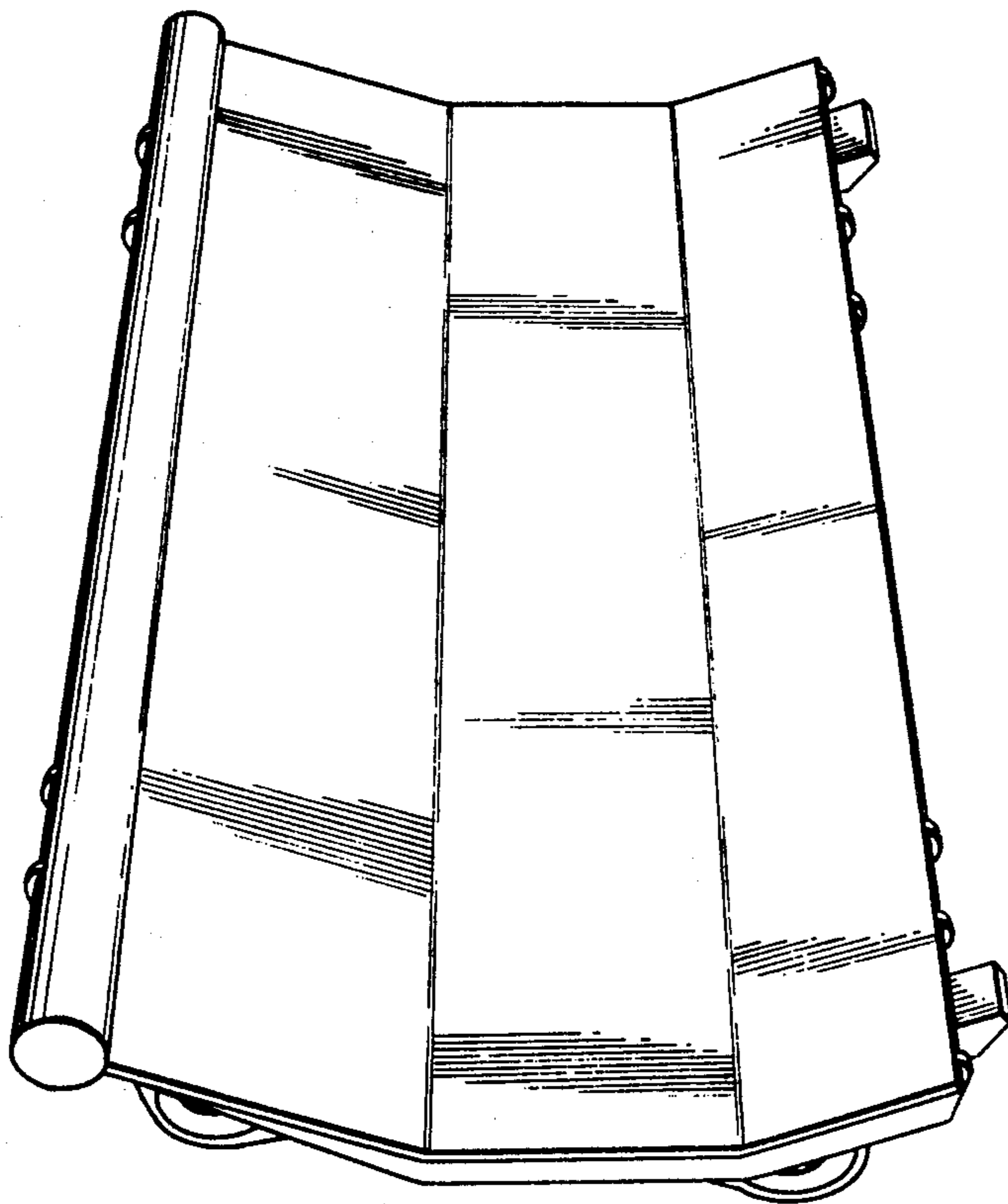


Fig. 2.

Fig. 3.

