

[54] ROTARY LAWN MOWER

[75] Inventors: Philip R. Allen; Terence F. Porter, both of Auckland, New Zealand

[73] Assignee: Mason & Porter Limited, Auckland, New Zealand

[\*\*] Term: 14 Years

[21] Appl. No.: 171,993

[22] Filed: Jul. 24, 1980

[30] Foreign Application Priority Data

Apr. 16, 1980 [NZ] New Zealand ..... 16509  
[52] U.S. Cl. .... D15/14  
[58] Field of Search ..... D15/14; 56/13.4, 16.7, 56/17.1, 17.2, 17.5

[56] References Cited

U.S. PATENT DOCUMENTS

D. 177,553 5/1956 Cataline et al. .... D15/14  
D. 232,184 7/1974 Cognata ..... D15/14

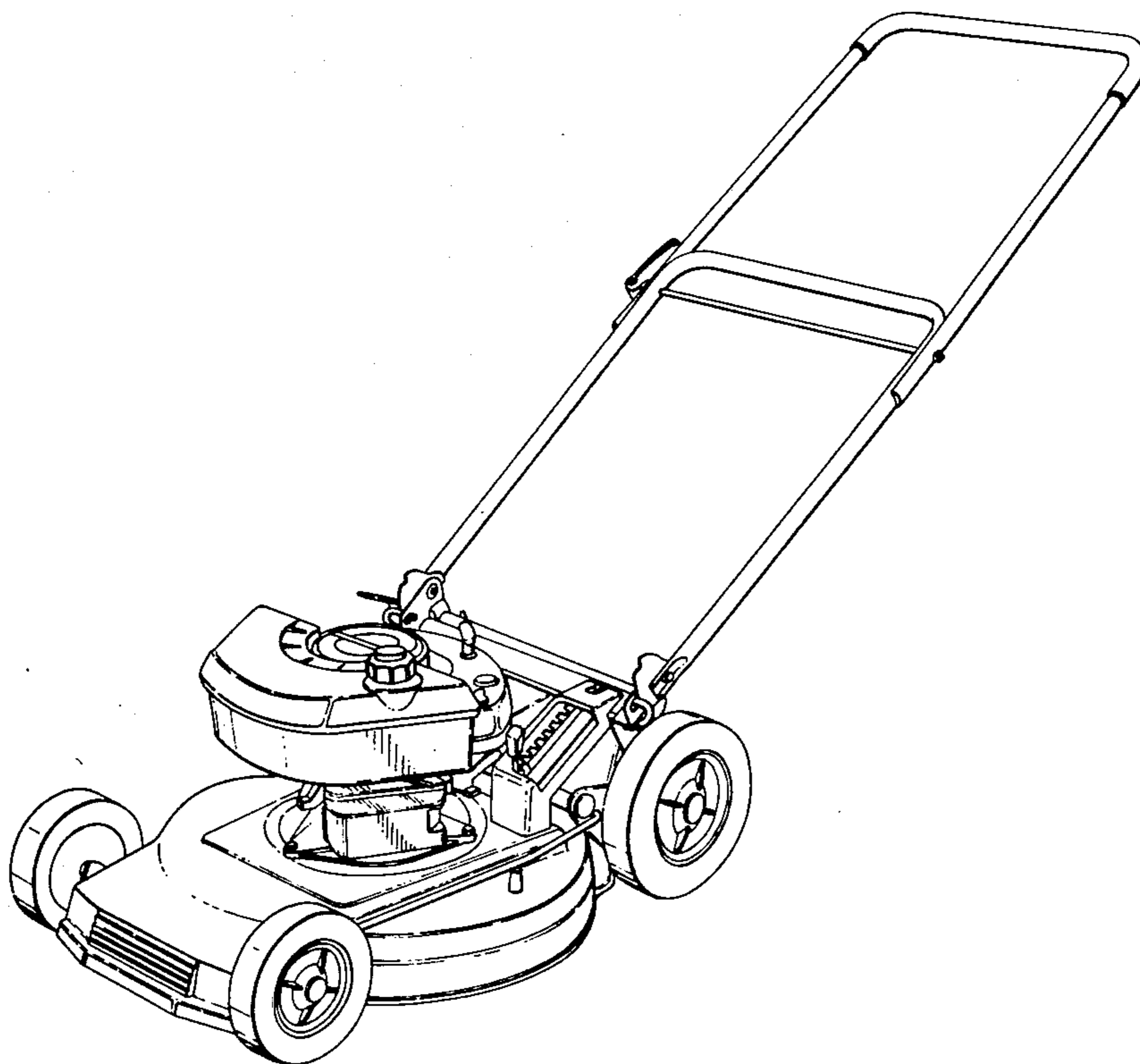
Primary Examiner—James M. Gandy  
Attorney, Agent, or Firm—Holman & Stern

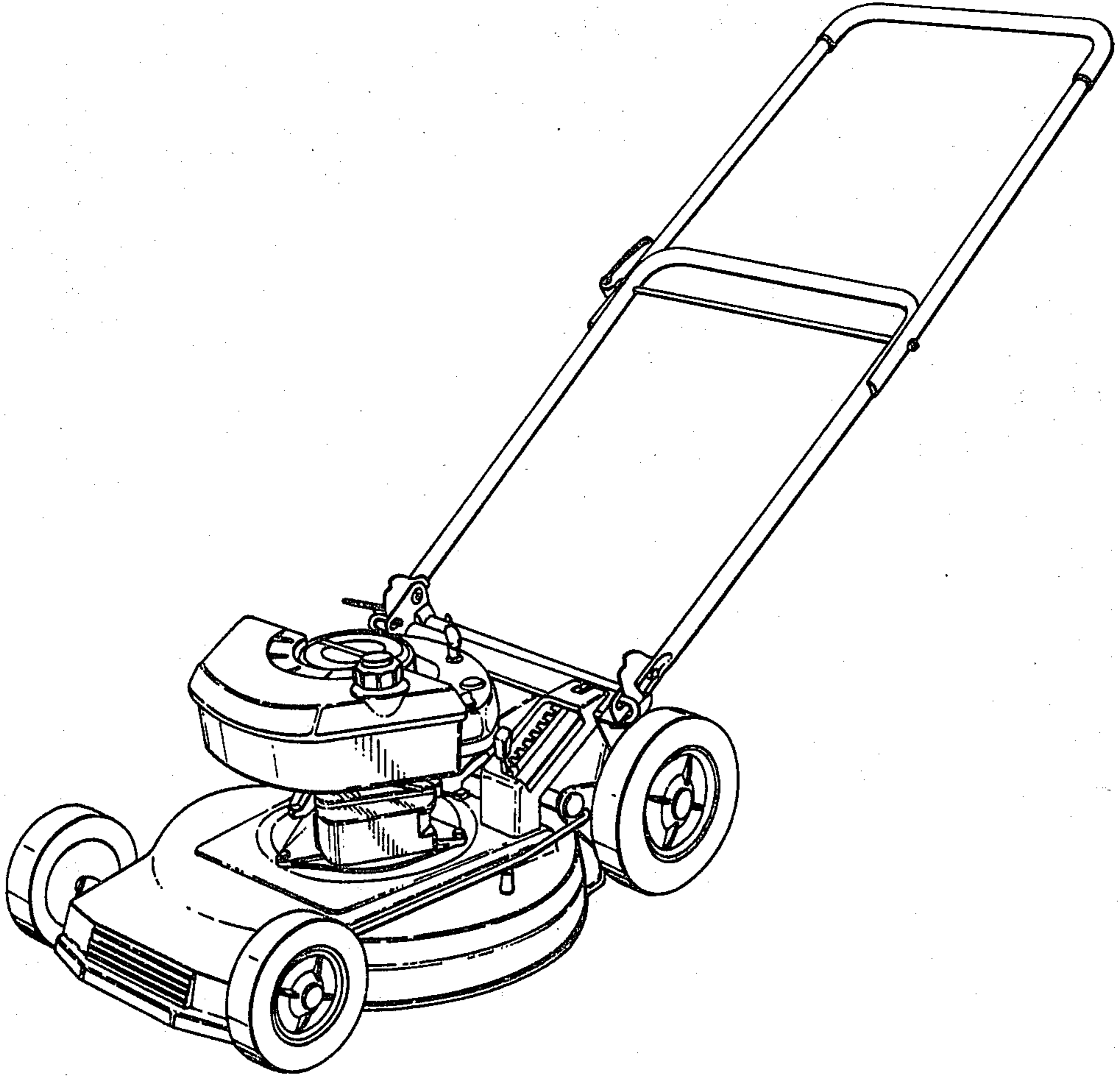
[57] CLAIM

The ornamental design for a rotary lawn mower, as shown and described.

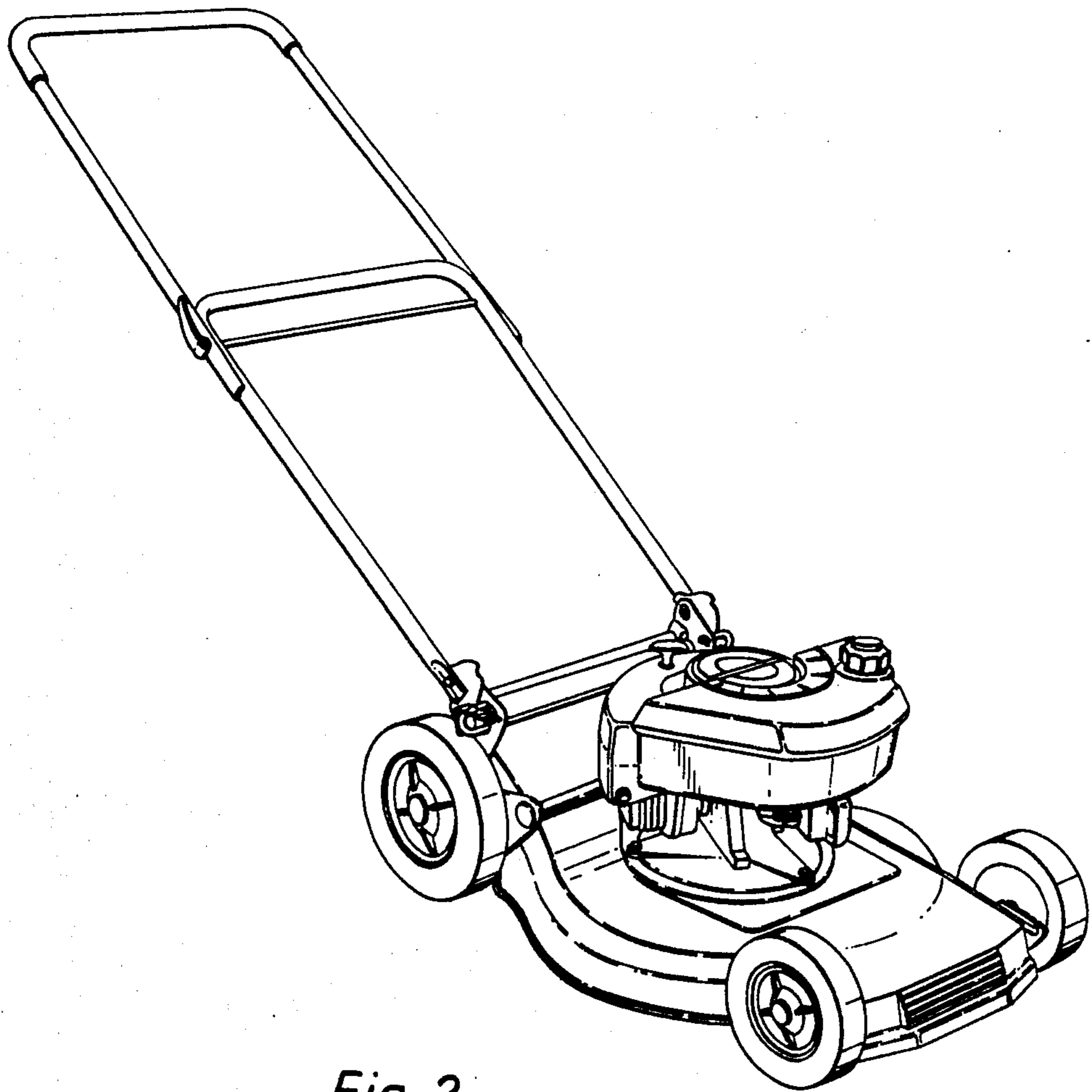
DESCRIPTION

FIG. 1 is a front perspective view from above and to one side of a rotary lawn mower embodying our design; FIG. 2 is a front perspective view from above and the other side thereof; and FIG. 3 is a rear perspective view thereof.





*Fig. 1.*



*Fig. 2.*

FIG. 3

