

[54] DRAFTING TOOL ORGANIZING DEVICE

[76] Inventor: Gordon D. Fineout, 2512 Delta River, Lansing, Mich. 48906

[**] Term: 14 Years

[21] Appl. No.: 356,198

[22] Filed: Mar. 8, 1982

[52] U.S. Cl. D19/77; D19/85; D19/91

[58] Field of Search D19/65, 75-87, D19/90-92, 100; 206/214; 211/10, 11, 40-42; D6/140, 180, 184, 185; 312/10; D7/74

[56] References Cited

U.S. PATENT DOCUMENTS

- D. 241,393 9/1976 St. Regis D6/184
- D. 251,645 4/1979 Kelly D6/175

- D. 264,225 5/1982 Hermes D19/85
- D. 267,959 2/1983 Cheung D19/92
- 3,013,668 12/1961 Mennen 211/40

OTHER PUBLICATIONS

House & Garden, 10/74, p. 191 Item No. 7983.

Primary Examiner—George P. Word
Attorney, Agent, or Firm—Ian C. McLeod

[57] CLAIM

The ornamental design for a drafting tool organizing device, as shown and described.

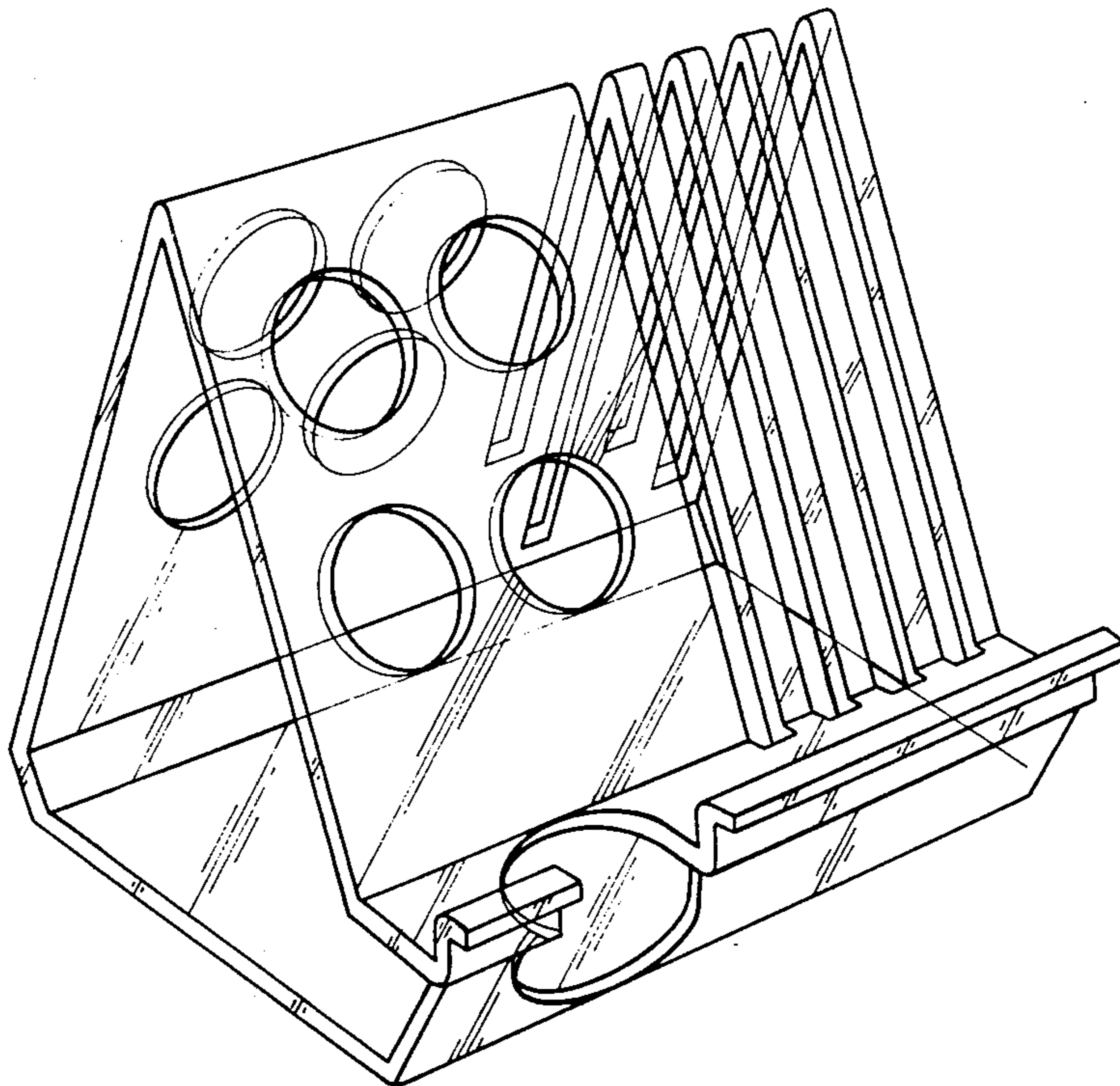
DESCRIPTION

FIG. 1 is a front perspective view of a drafting tool organizing device showing my new design.

FIG. 2 is a left end elevational view thereof.

FIG. 3 is a rear perspective view thereof; and

FIG. 4 is a top plan view thereof.



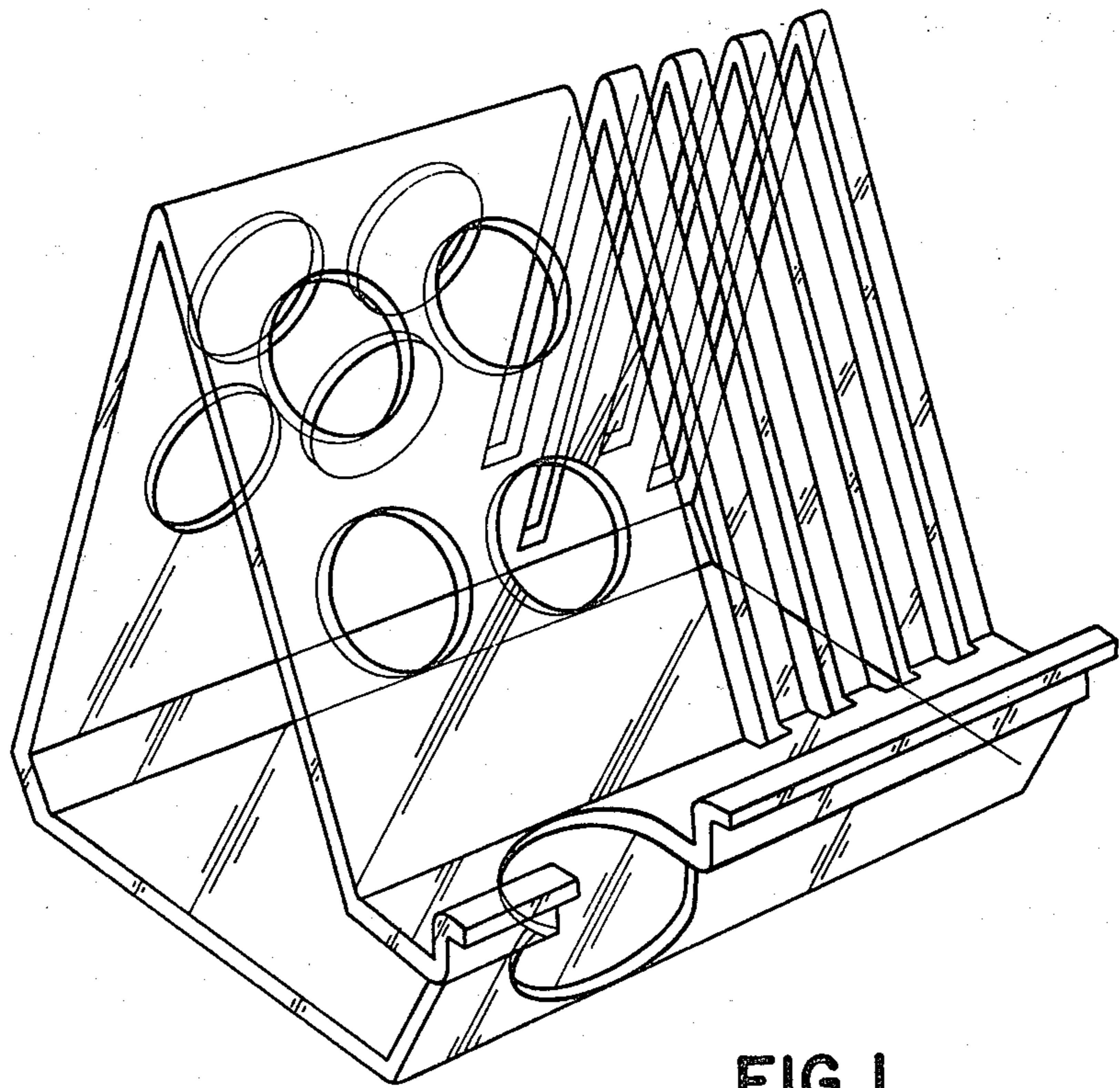


FIG. 1.

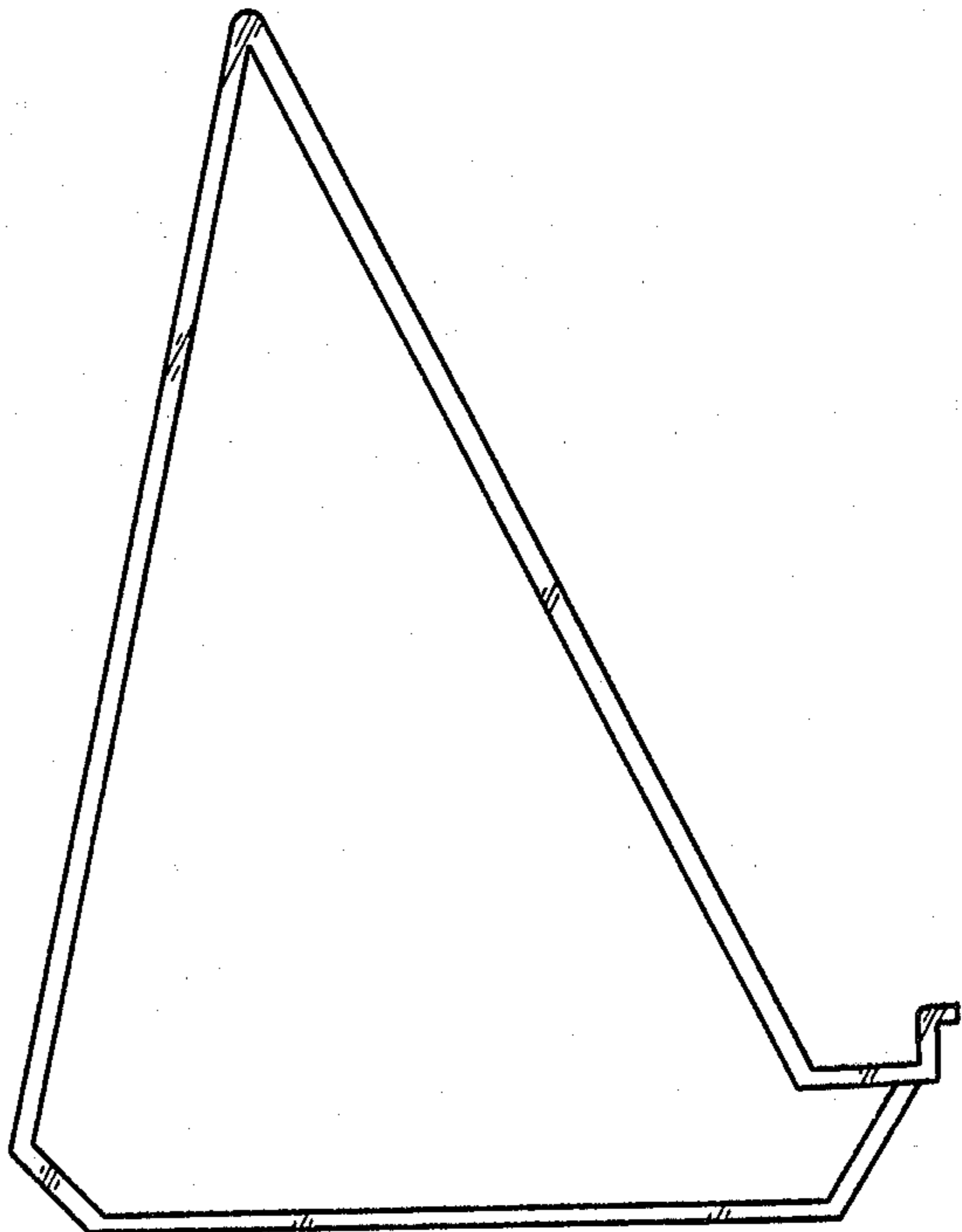


FIG. 2.

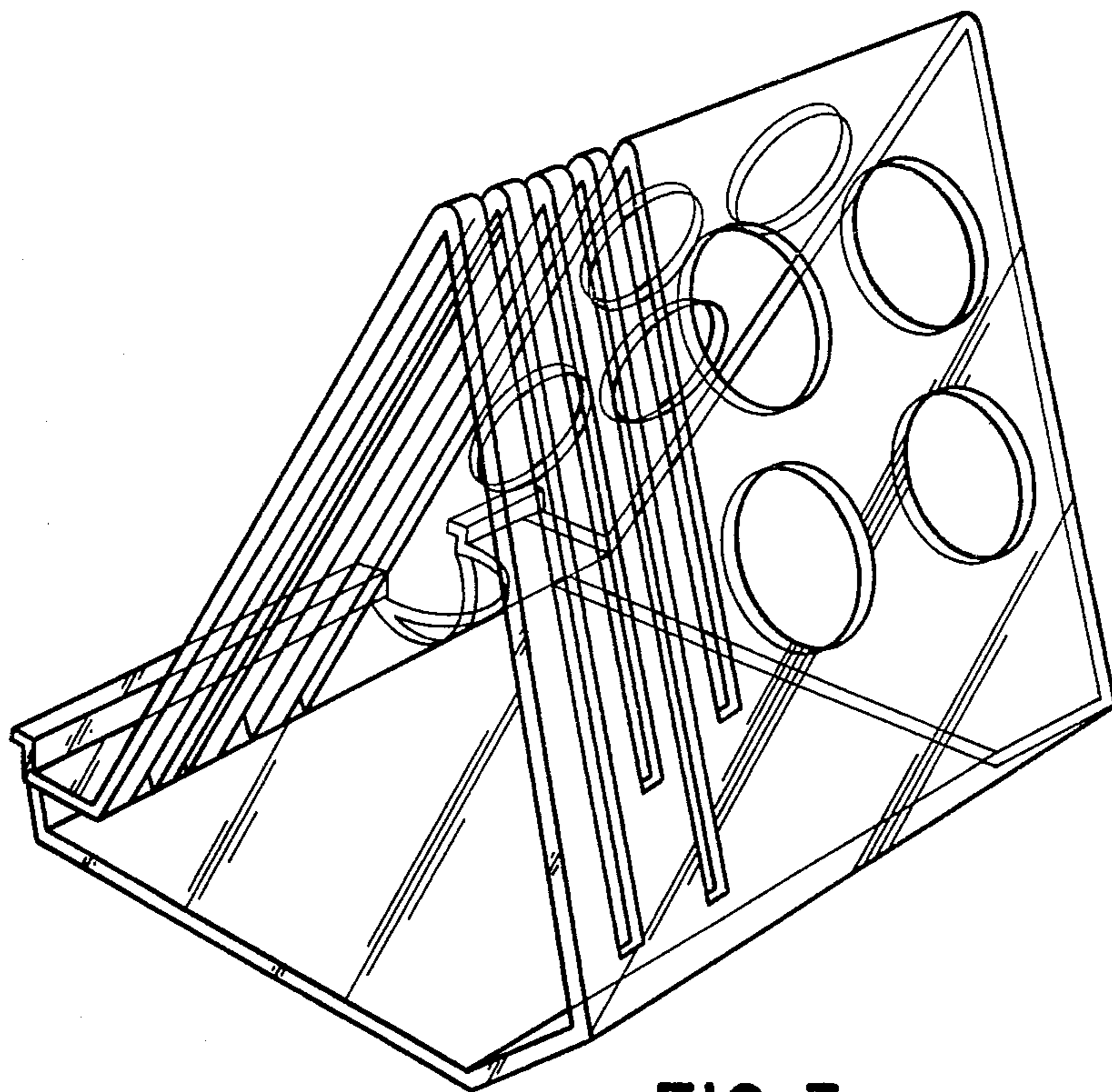


FIG. 3.

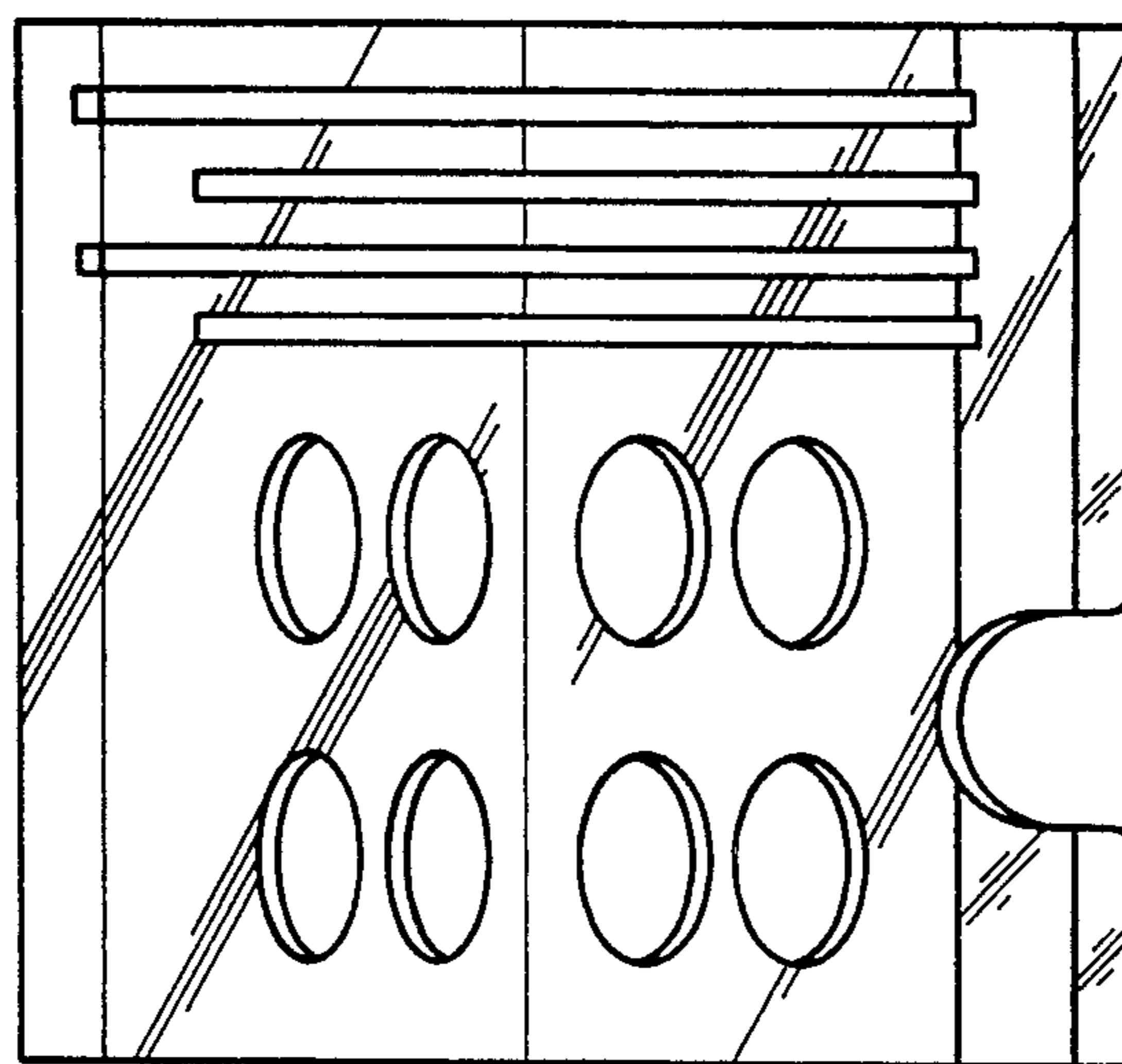


FIG. 4.