

[54] WATER CRAFT

4,002,133 1/1977 Wilbanks D12/304 X
4,224,889 9/1980 Spiegel 114/39

[75] Inventors: Ellis Mellinger, Hermosa Beach;
Frank Alonso, North Hollywood,
both of Calif.

Primary Examiner—Alan P. Douglas
Attorney, Agent, or Firm—Wagner & Bachand

[73] Assignee: Llumar Star Kites, Pacoima, Calif.

[57] CLAIM

[**] Term: 14 Years

The ornamental design for water craft, as shown and described.

[21] Appl. No.: 348,914

DESCRIPTION

[22] Filed: Feb. 16, 1982

[52] U.S. Cl. D12/304

[58] Field of Search D12/304; 114/39

FIG. 1 is a top plan view of a water craft according to the invention;
FIG. 2 is a side elevation view thereof;
FIG. 3 is a front elevation view thereof shown broken away for ease of illustration;
FIG. 4 is a bottom plan view thereof; and
FIG. 5 is a rear elevation view thereof shown broken away for ease of illustration.

[56] References Cited

U.S. PATENT DOCUMENTS

D. 268,577 4/1983 Gillberg D12/304

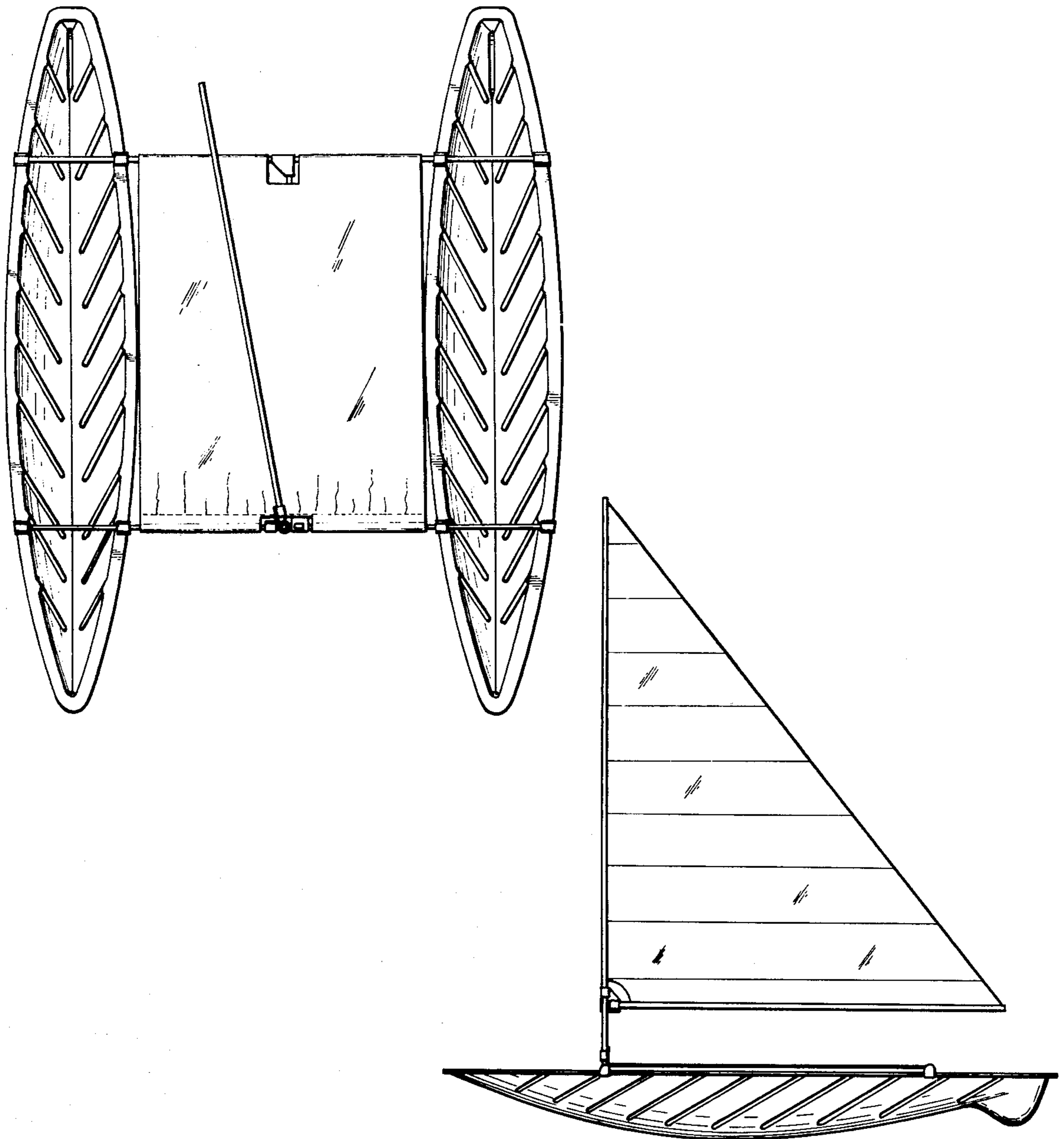


FIG. 1

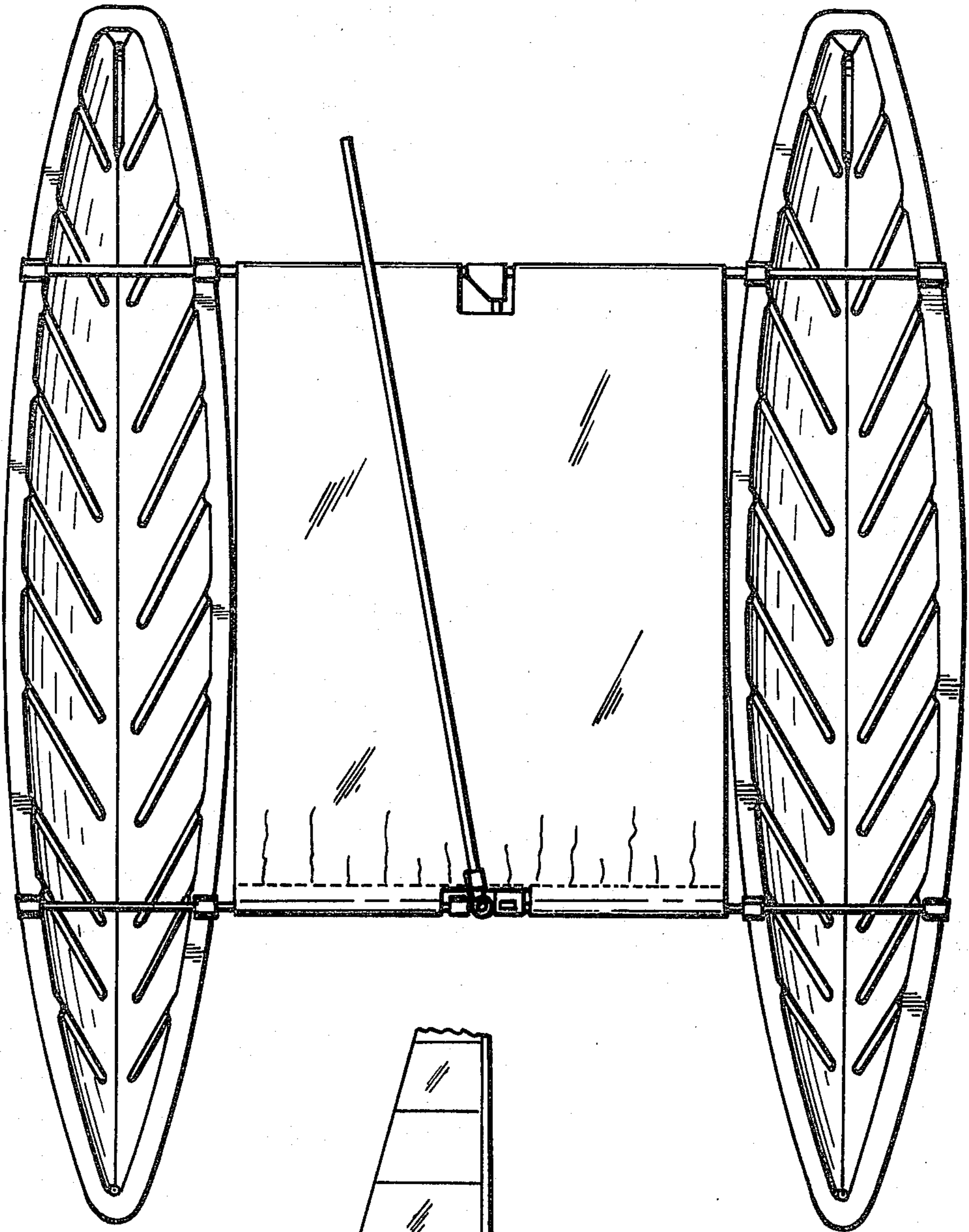


FIG. 3

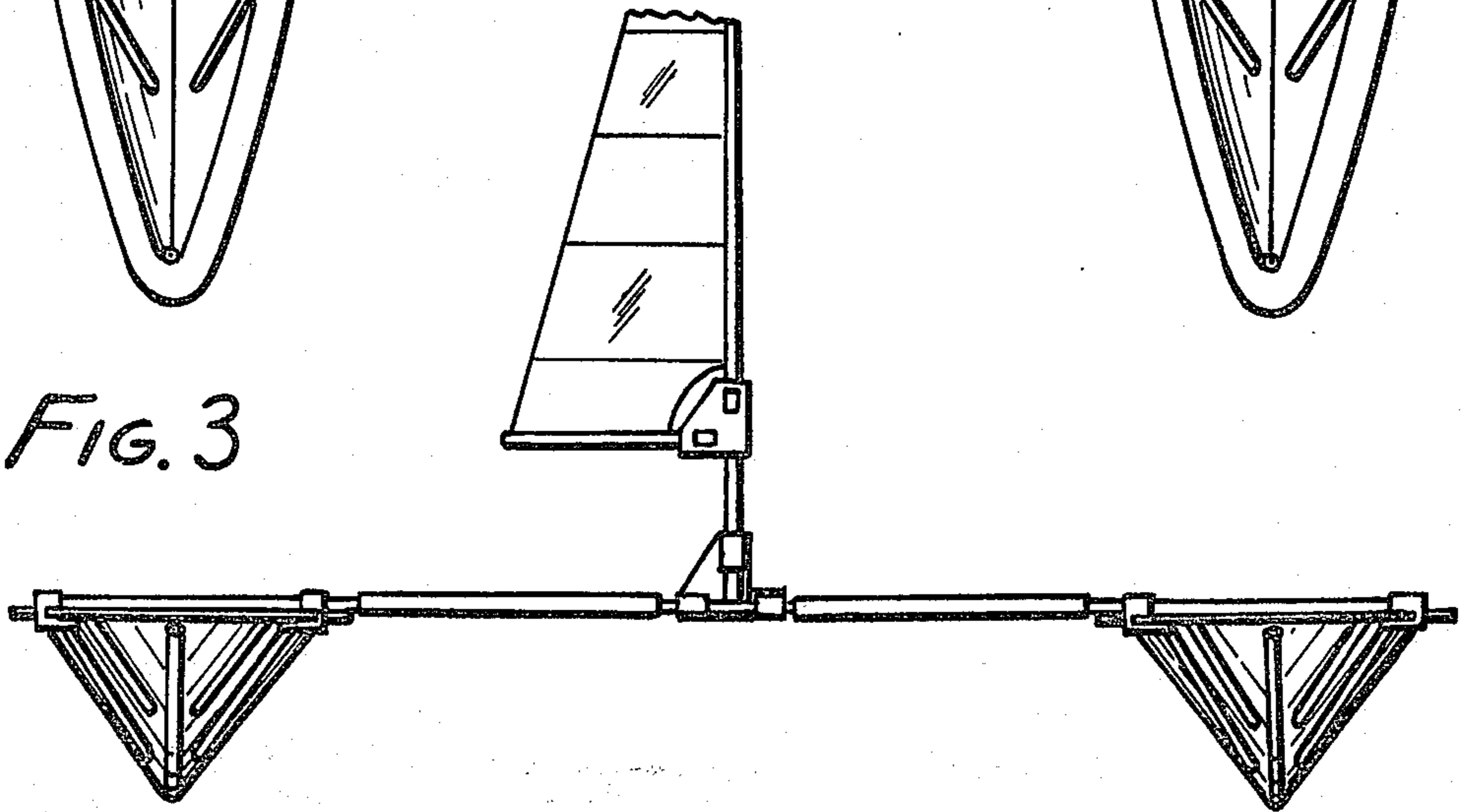


FIG. 2

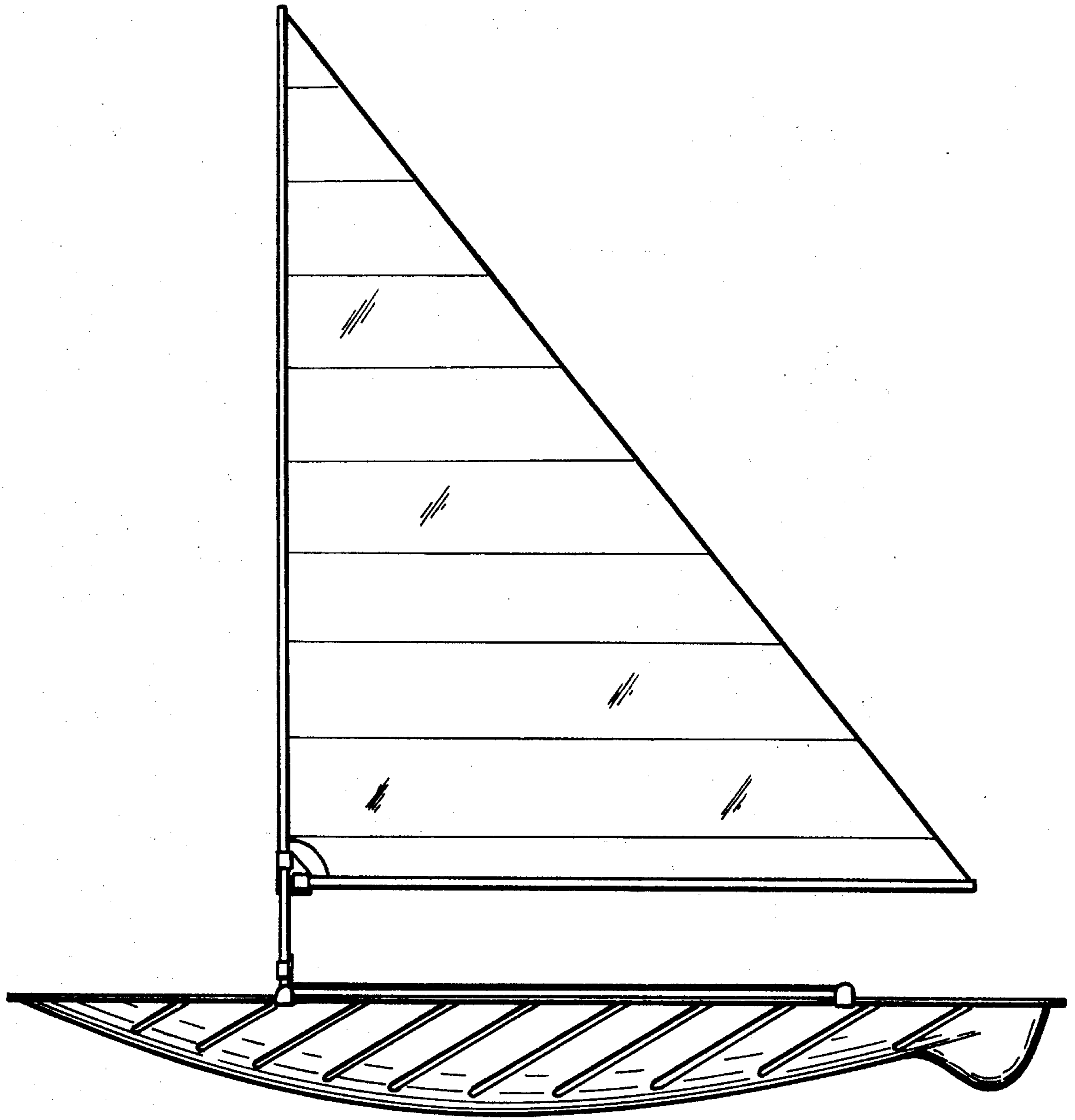


FIG. 4

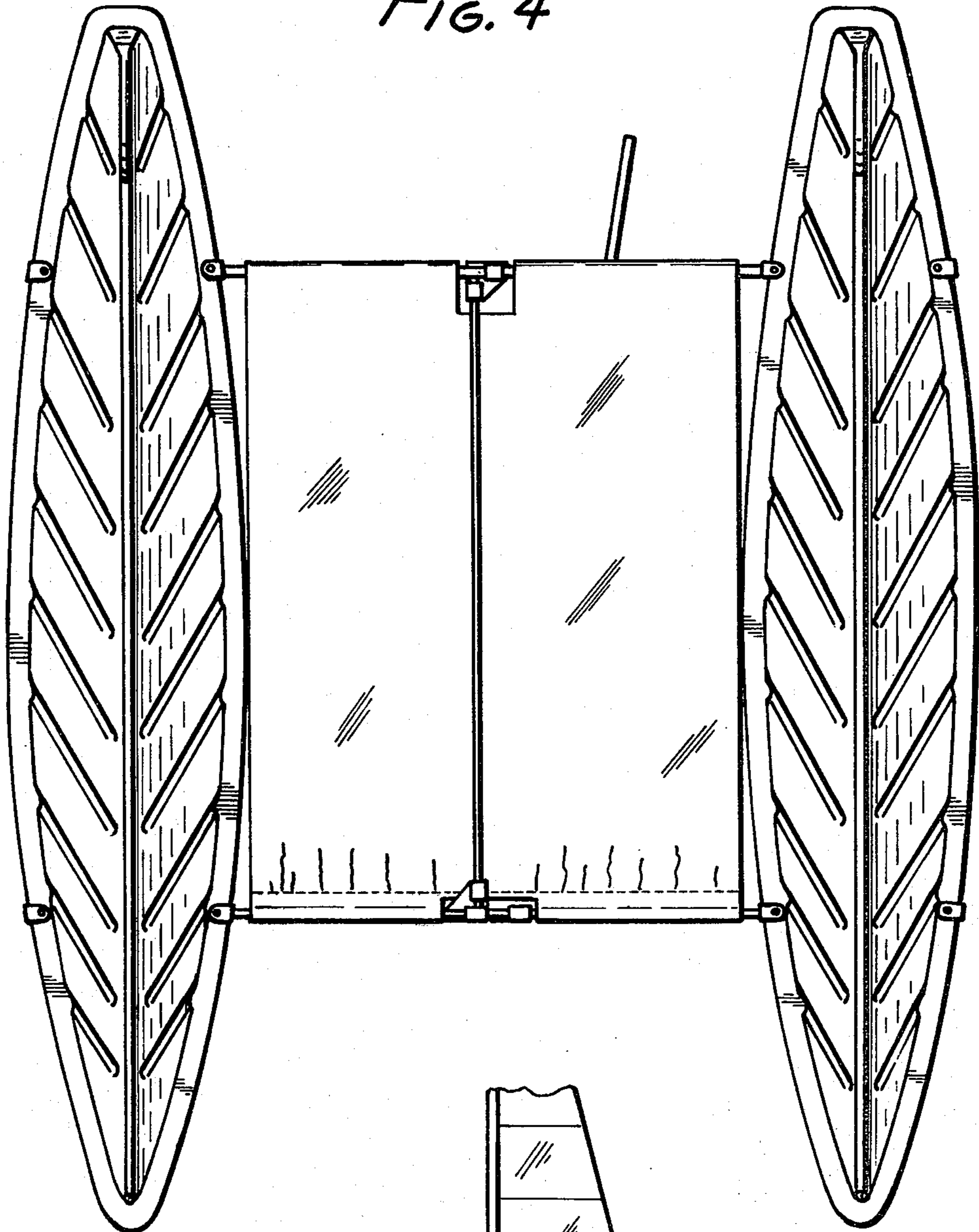


FIG. 5

