

[54] WHEEL

[75] Inventor: Richard R. Woodward, Yalding, England

[73] Assignee: GKN Kent Alloys Limited, Rochester, England

[**] Term: 14 Years

[21] Appl. No.: 300,174

[22] Filed: Sep. 8, 1981

[30] Foreign Application Priority Data

Jul. 10, 1981 [GB] United Kingdom 1001400

[52] U.S. Cl. D12/209

[58] Field of Search D12/209, 211, 210; 301/63 R, 63 PW, 64 R, 64 SD, 65

[56] References Cited

FOREIGN PATENT DOCUMENTS

1057342 6/1979 Canada 301/63 R

OTHER PUBLICATIONS

Budd Wide Single Tire Wheels Brochure, rear cover, 90 Series Wheel, top of page.

Primary Examiner—James M. Gandy

Attorney, Agent, or Firm—Merriam, Marshall & Bicknell

[57] CLAIM

The ornamental design for a wheel, as shown.

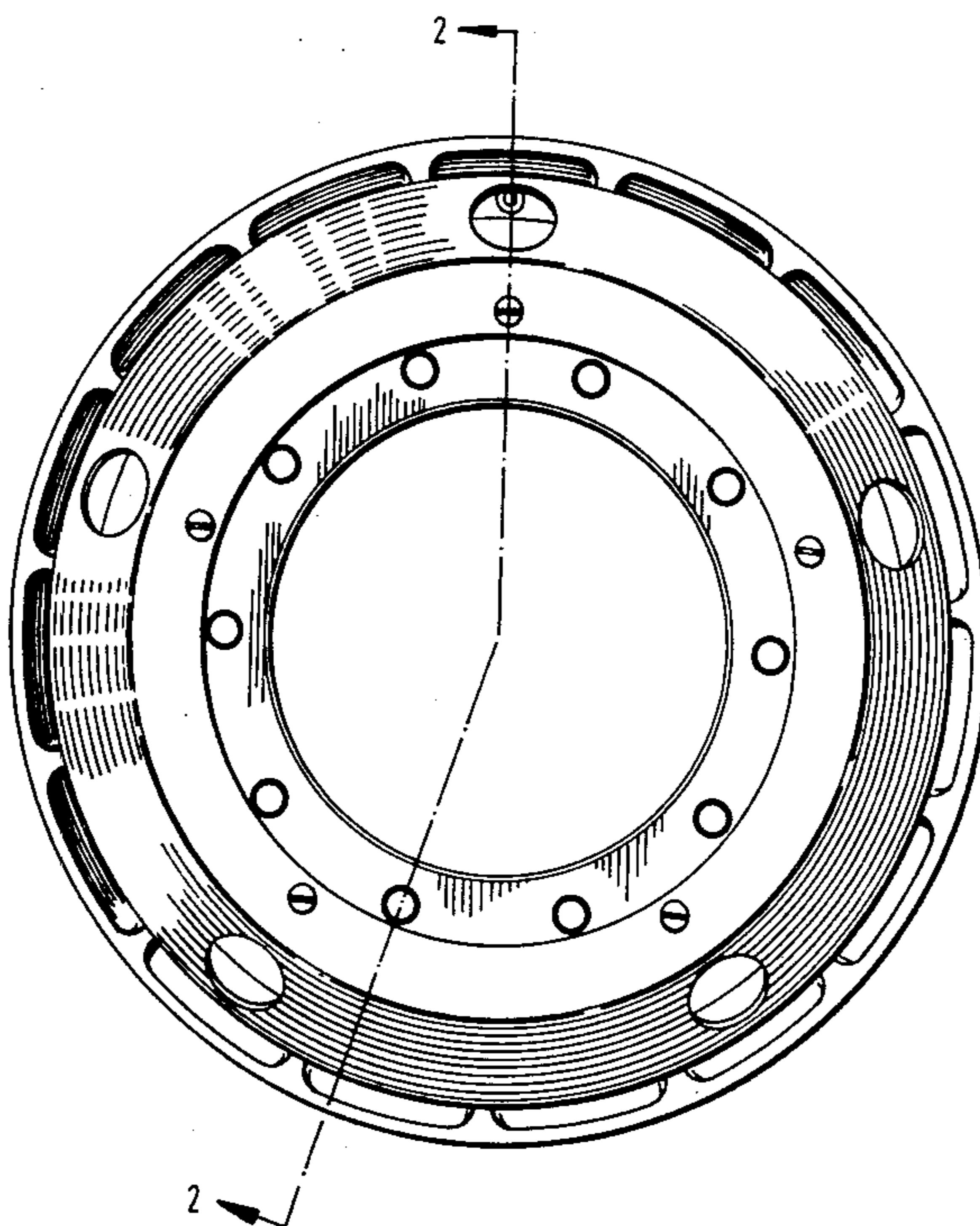
DESCRIPTION

FIG. 1 is a view in front elevation of a wheel showing my new design;

FIG. 2 is a sectional view thereof taken along the line 2—2 in FIG. 1;

FIG. 3 is a side elevational view thereof;

FIG. 4 is a rear elevational view thereof.



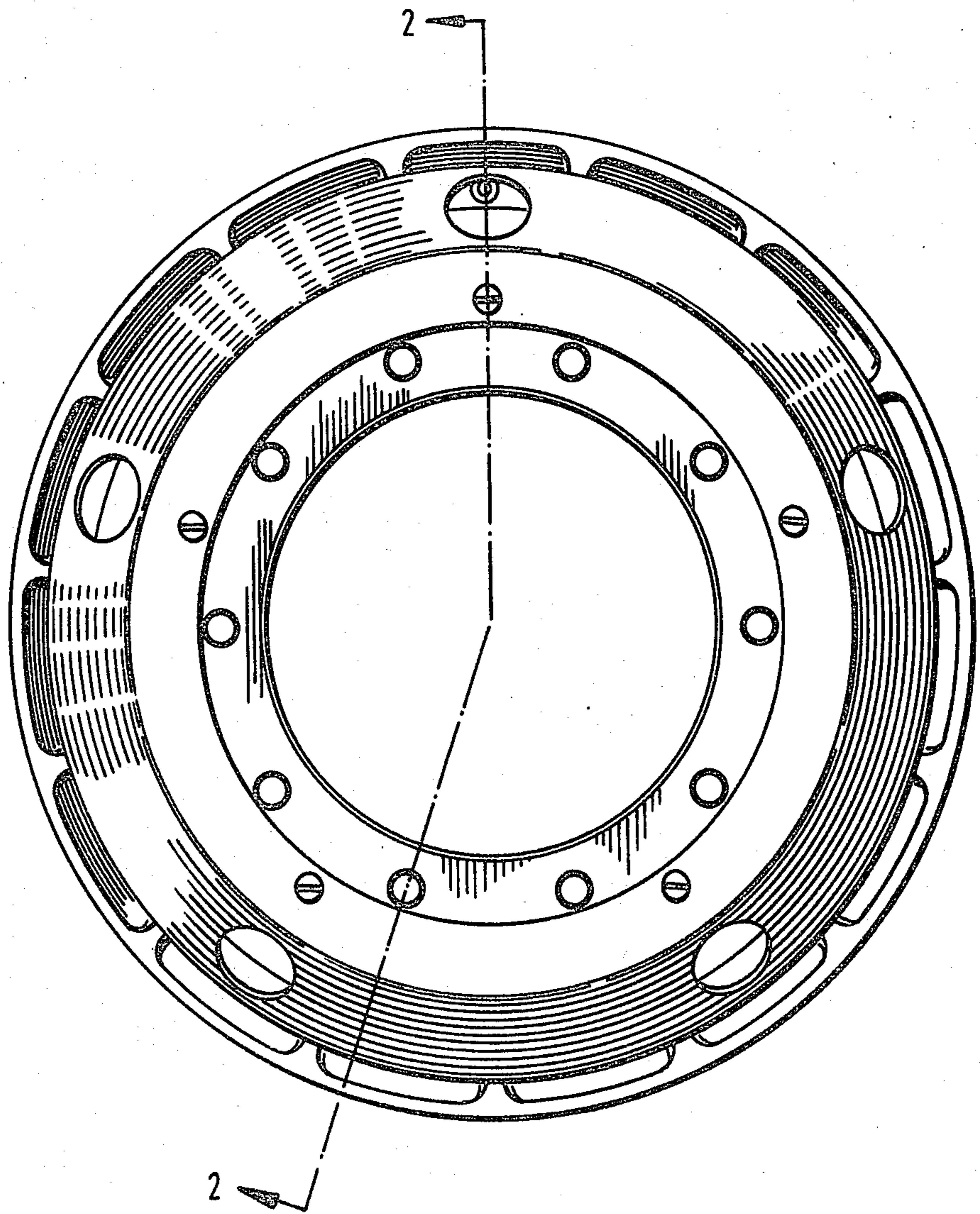


FIG. 1

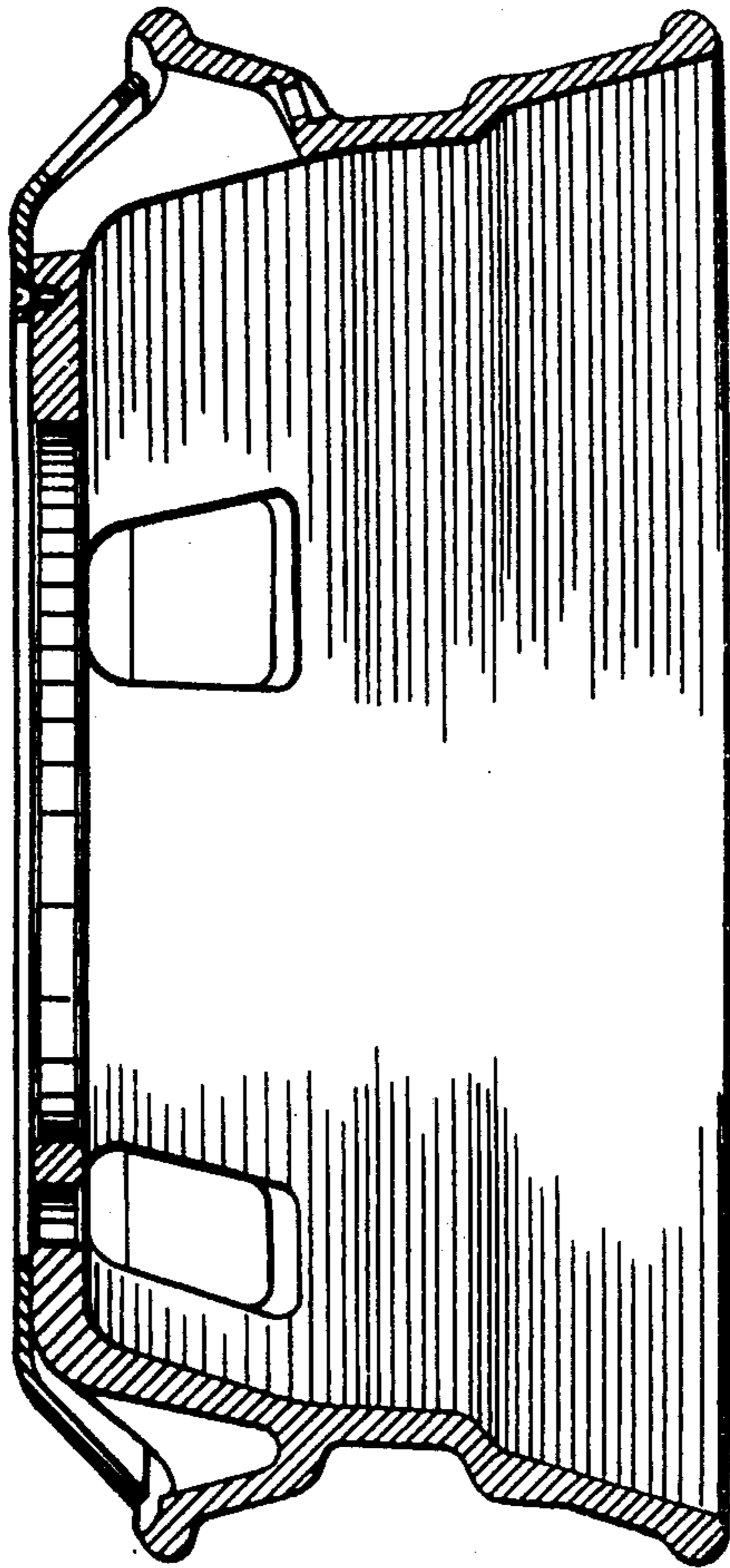


FIG. 2.

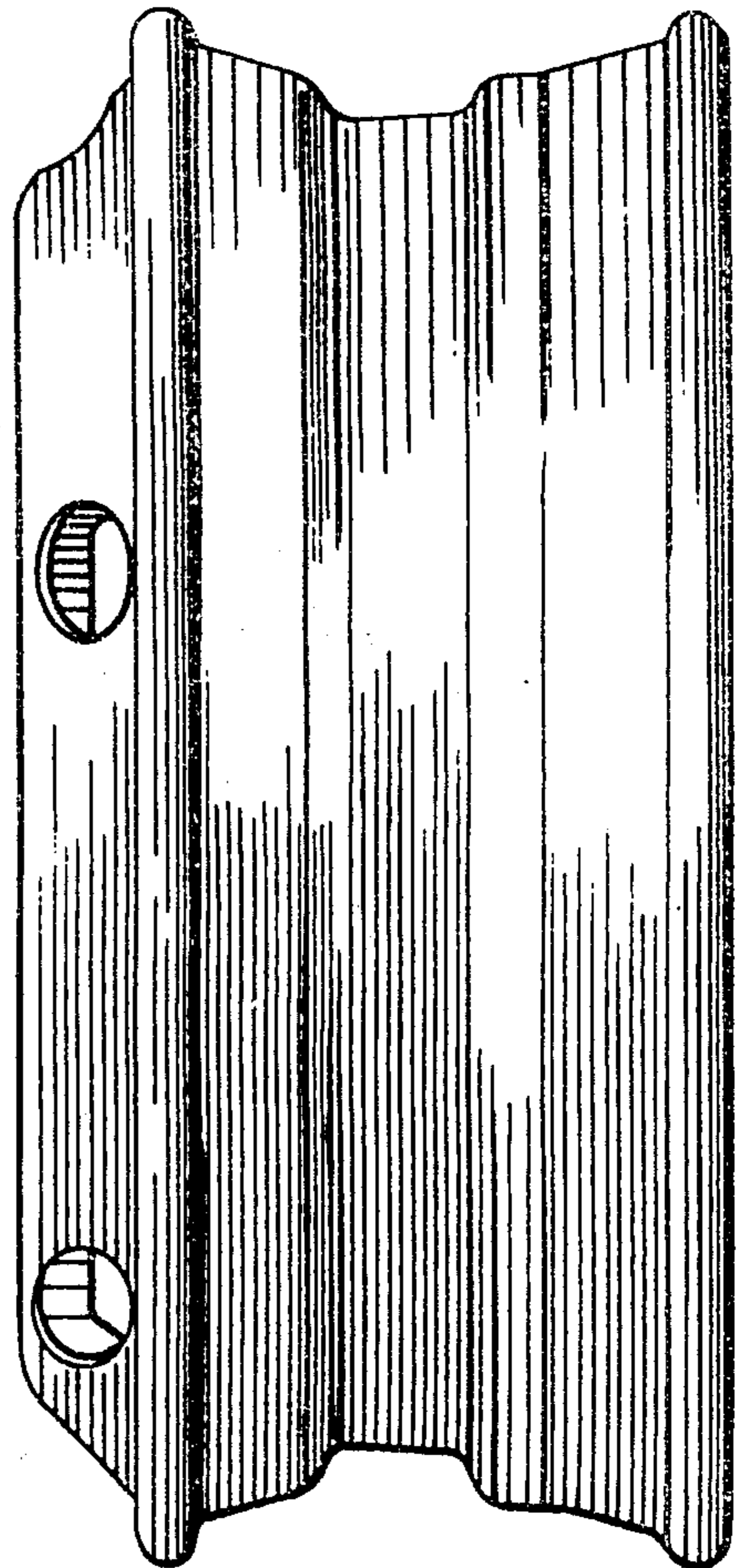


FIG. 3.

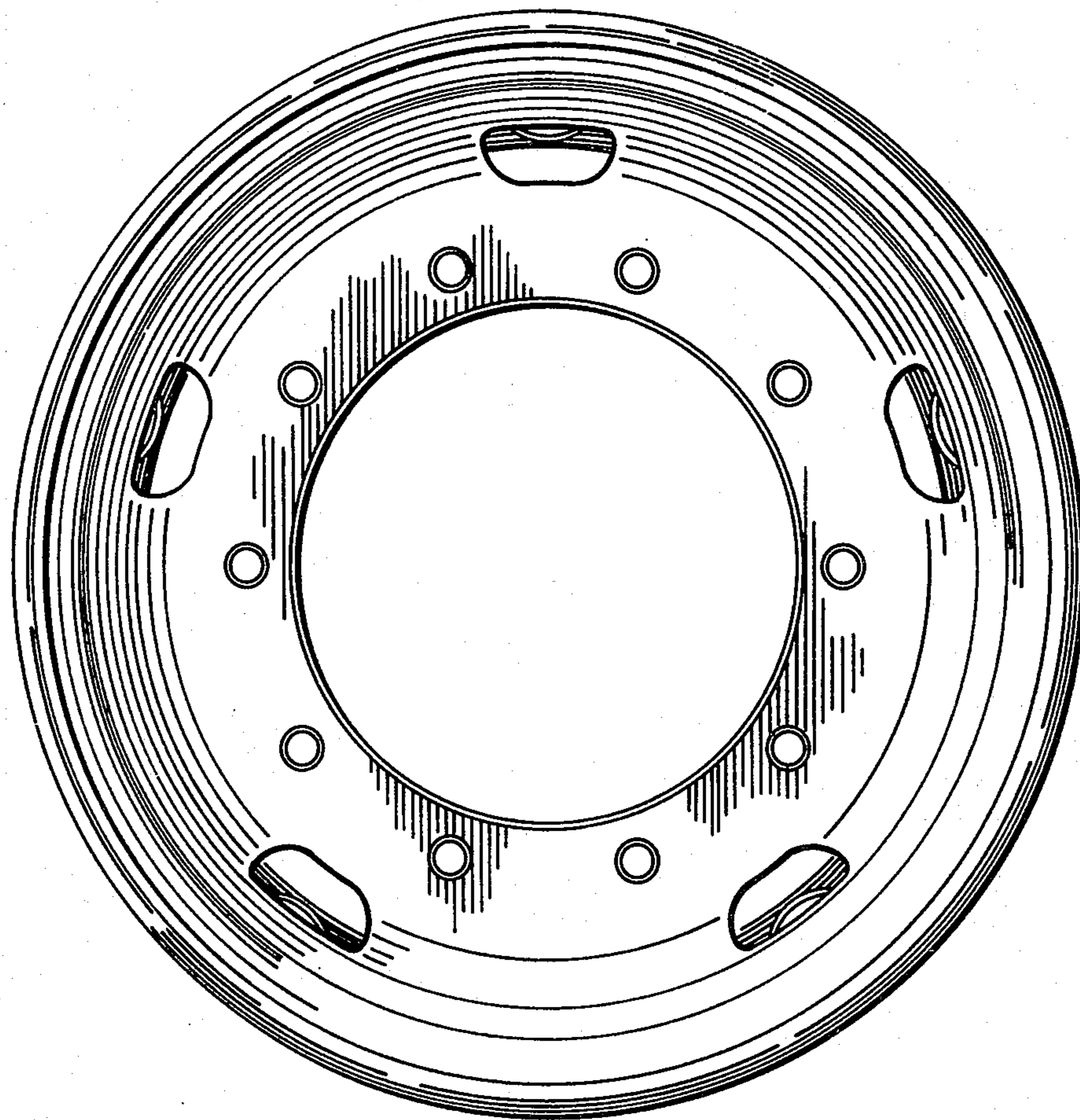


FIG. 4.