

[54] AUTOMOBILE GRILL

[75] Inventor: Haruki Koyanagi, Tokyo, Japan

[73] Assignee: Nissan Motor Co., Ltd., Yokohama, Japan

[**] Term: 14 Years

[21] Appl. No.: 430,112

[22] Filed: Sep. 30, 1982

[52] U.S. Cl. D12/163

[58] Field of Search D12/163, 165; 180/68 P

[56] References Cited

FOREIGN PATENT DOCUMENTS

- 55-7096 8/1981 Japan .
- 55-7134 8/1981 Japan .
- 55-7508 8/1981 Japan .

OTHER PUBLICATIONS

Motor Trend, 8/81, p. 25, Grill on Mitsubishi Automobile, bottom of page.

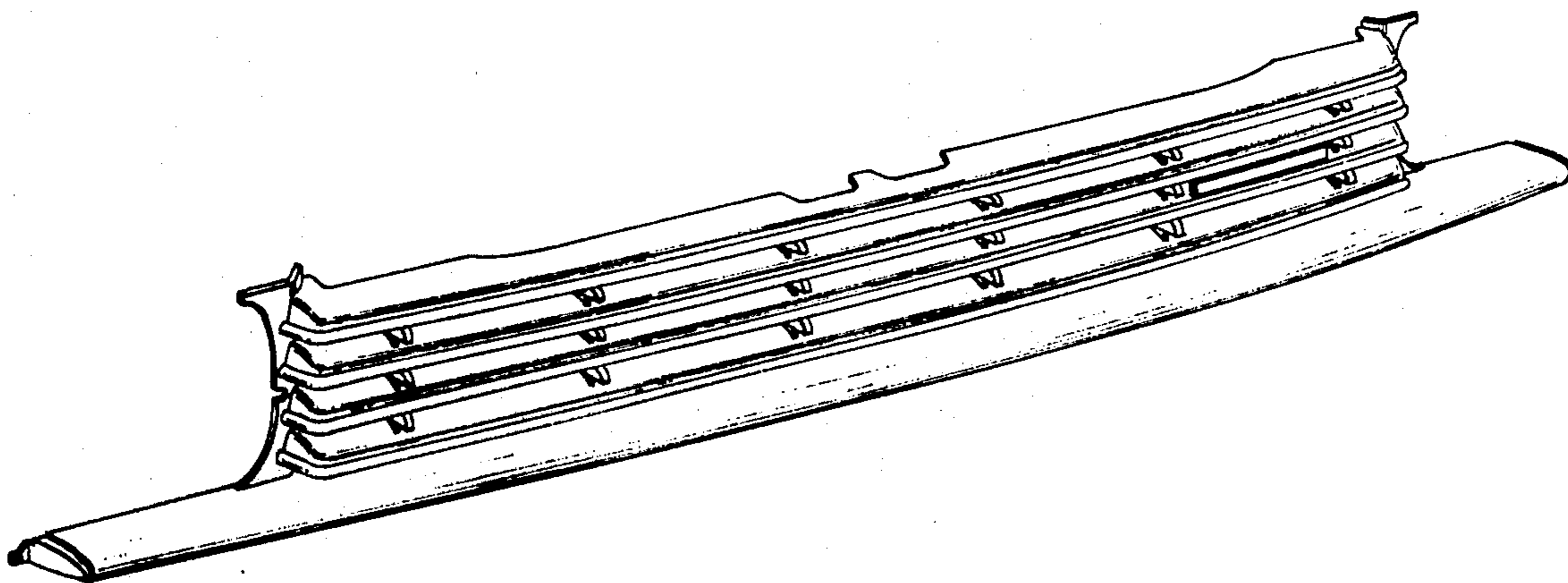
Primary Examiner—James M. Gandy
Attorney, Agent, or Firm—Schwartz, Jeffery, Schwaab, Mack, Blumenthal & Koch

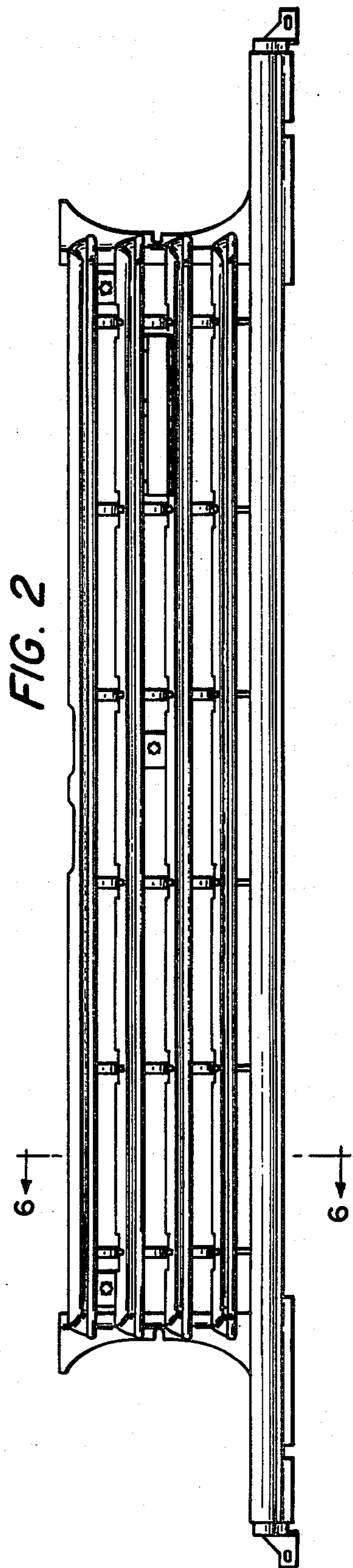
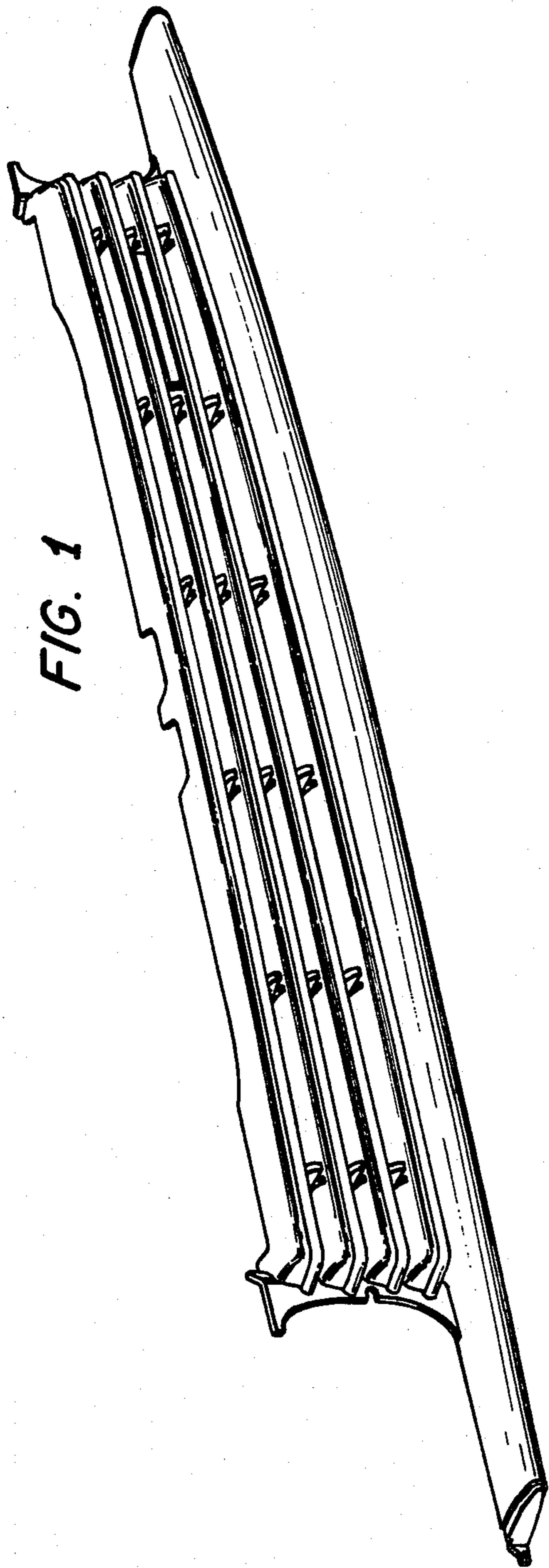
[57] CLAIM

The ornamental design for an automobile grill, as shown and described.

DESCRIPTION

FIG. 1 is a front perspective view of an automobile grill showing the new design;
FIG. 2 is a front elevation view thereof;
FIG. 3 is a top plan view thereof;
FIG. 4 is a bottom plan view thereof;
FIG. 5 is a side elevation view thereof, the opposite end being a mirror image of that shown; and
FIG. 6 is an enlarged sectional view taken along the lines 6—6 of FIG. 2.





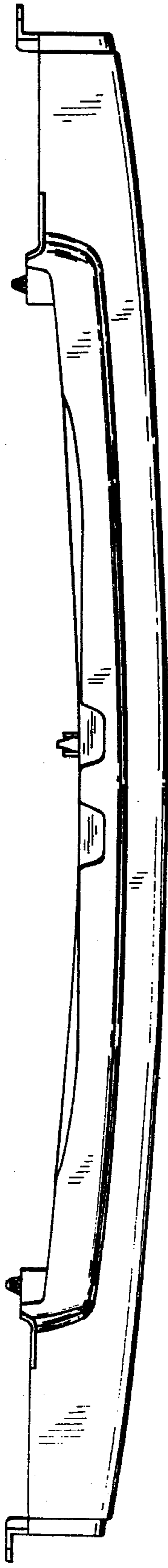


FIG. 3

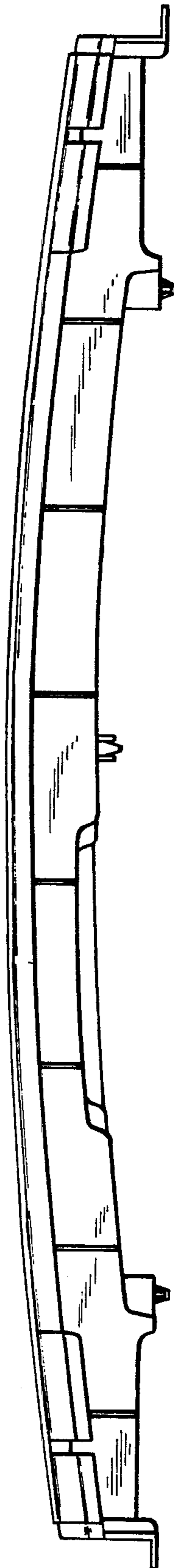


FIG. 4

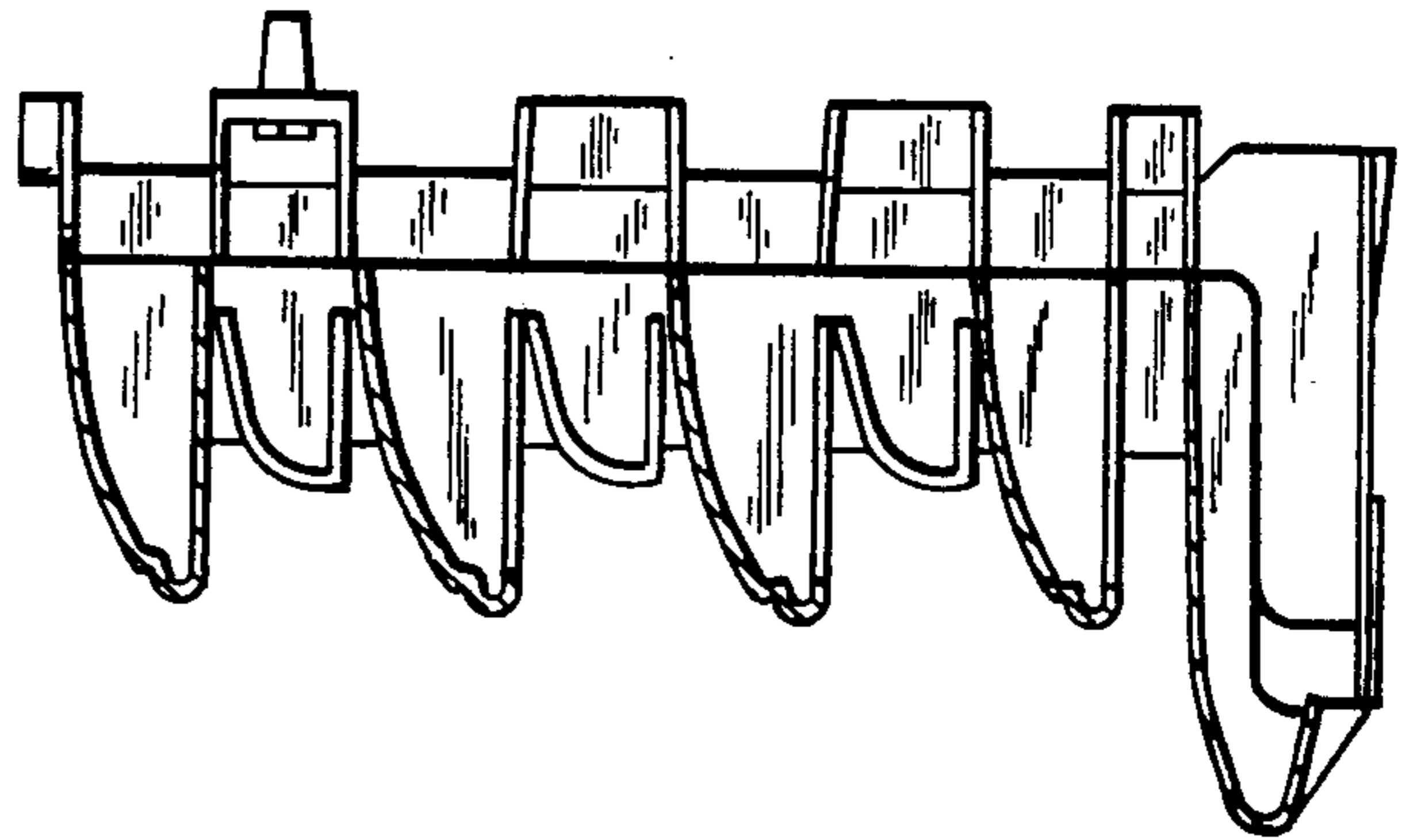


FIG. 6

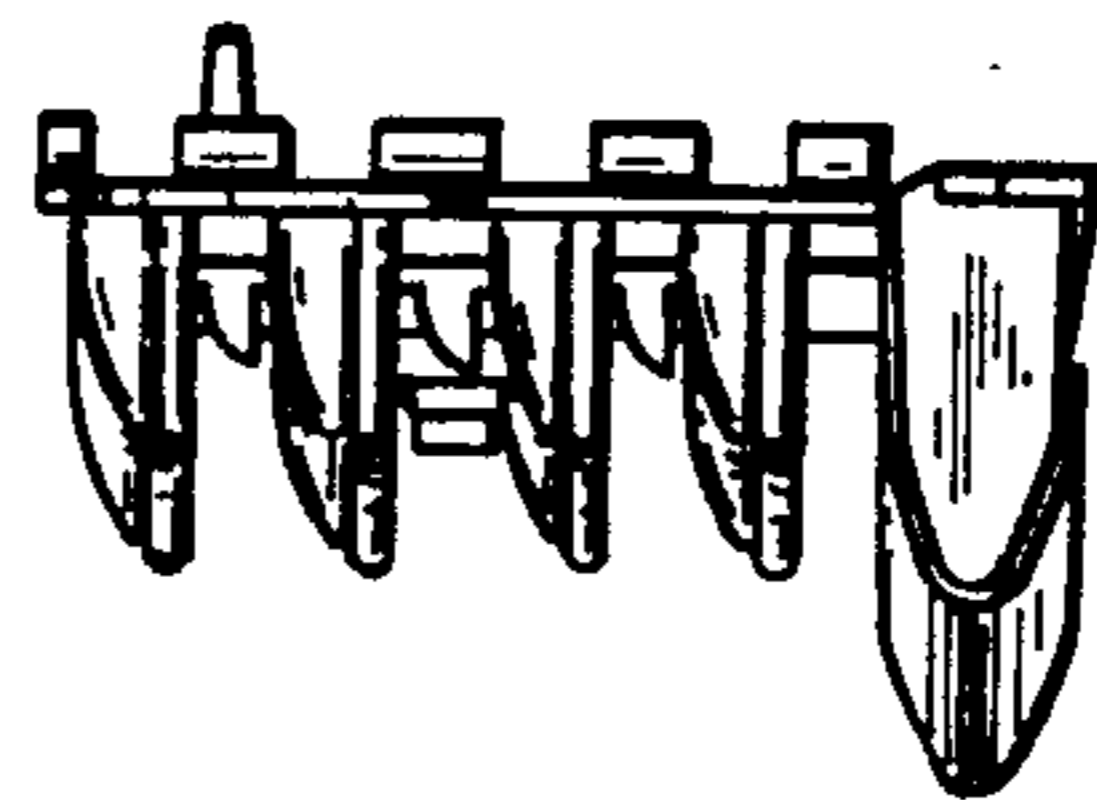


FIG. 5