

[54] **HYDRAULIC FILTER PRESS FOR PRESSING LIQUID FROM A DRILLING MUD OR THE LIKE**

[75] Inventor: **David E. Cain**, Houston, Tex.

[73] Assignee: **Halliburton Company**, Duncan, Okla.

[**] Term: **14 Years**

[21] Appl. No.: **242,124**

[22] Filed: **Mar. 9, 1981**

[52] U.S. Cl. **D10/83; D23/4; D10/94**

[58] Field of Search **D10/82, 83, 81, 46; D23/21, 4; 73/59, 60, 433, 94; D24/99, 8; D29/59**

[56] **References Cited**

U.S. PATENT DOCUMENTS

D. 166,330	4/1952	Matasovic	D33/21
D. 180,685	7/1957	Edelmann	D10/46
D. 231,389	4/1974	Milani	D10/83
D. 263,568	3/1982	Sadler	D10/83
D. 264,444	5/1982	Muchenberger et al.	D10/83
316,048	4/1885	Mayo	92/249

978,265	12/1910	Barnett	417/568
2,084,439	6/1937	Hamer	403/15
2,451,390	10/1948	Humphreys	417/434
2,866,455	12/1958	De La Torre	D29/7 X
3,747,415	7/1973	Nickles et al.	73/433
3,898,010	8/1975	Jungbluth et al.	403/15
4,154,543	5/1979	Moewe et al.	403/15
4,299,118	11/1981	Gau et al.	73/59

OTHER PUBLICATIONS

"Applied Mud Technology", Brochure of IMCO Services, 1978, at pp. 2-4 thereof.

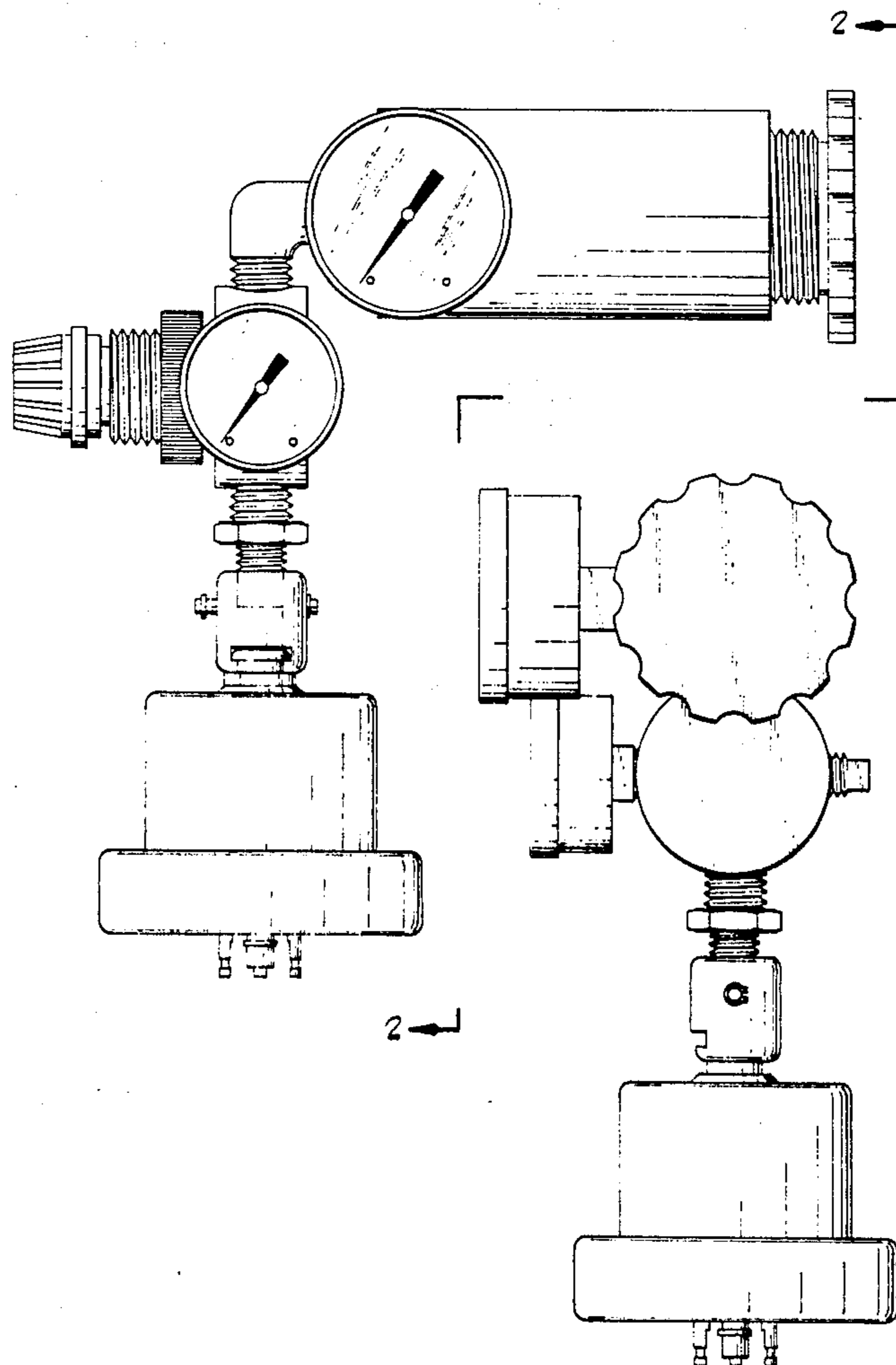
Primary Examiner—Bernard Ansher
Attorney, Agent, or Firm—Lucian Wayne Beavers; James R. Duzan; Thomas R. Weaver

[57] **CLAIM**

The ornamental design for a hydraulic filter press for pressing liquid from a drilling mud or the like, as shown and described.

DESCRIPTION

FIG. 1 is a front elevation of a hydraulic filter press for pressing liquid from a drilling mud, showing my new design; and FIG. 2 is a right-side elevation thereof.



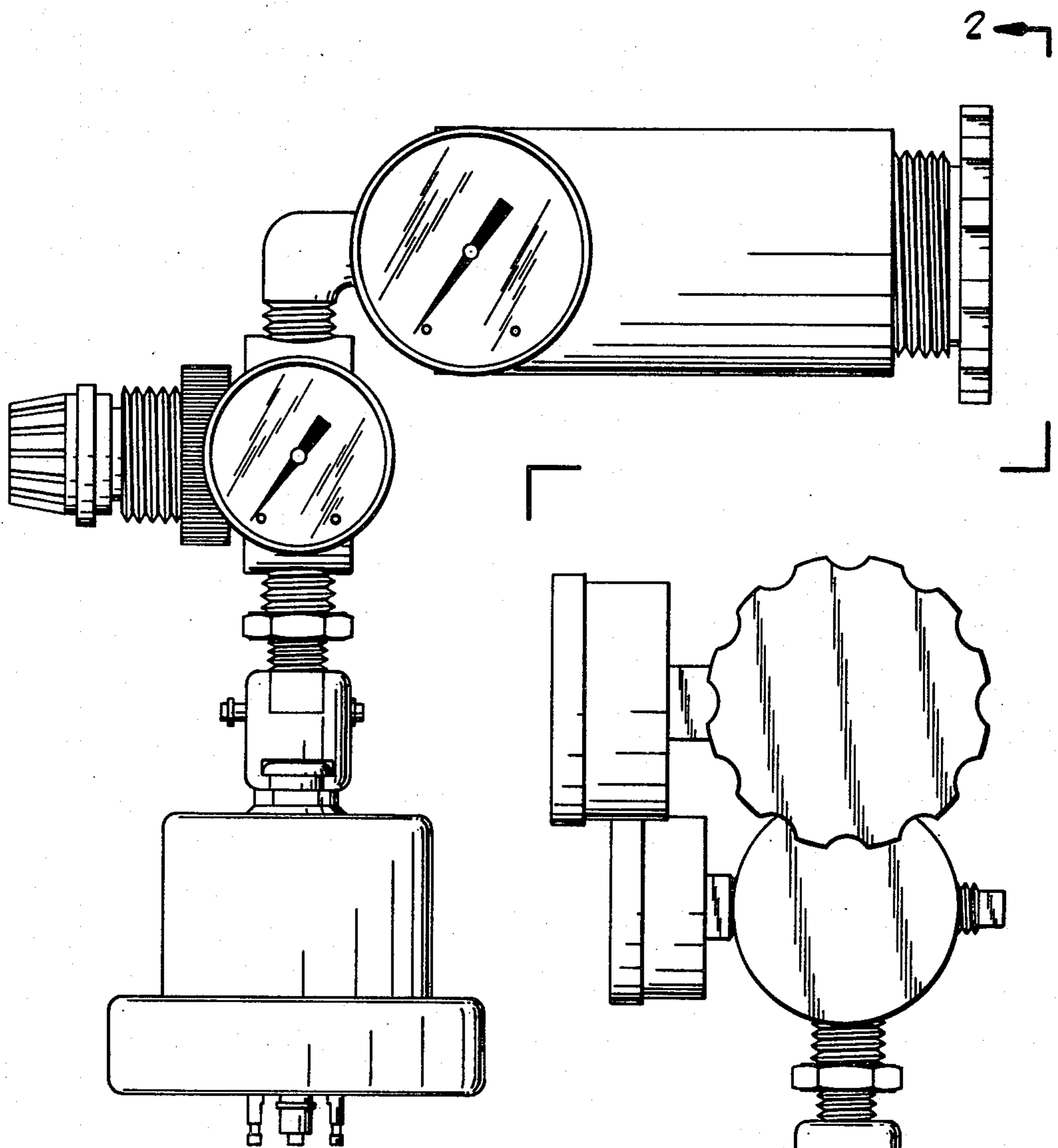


FIG. 1

2

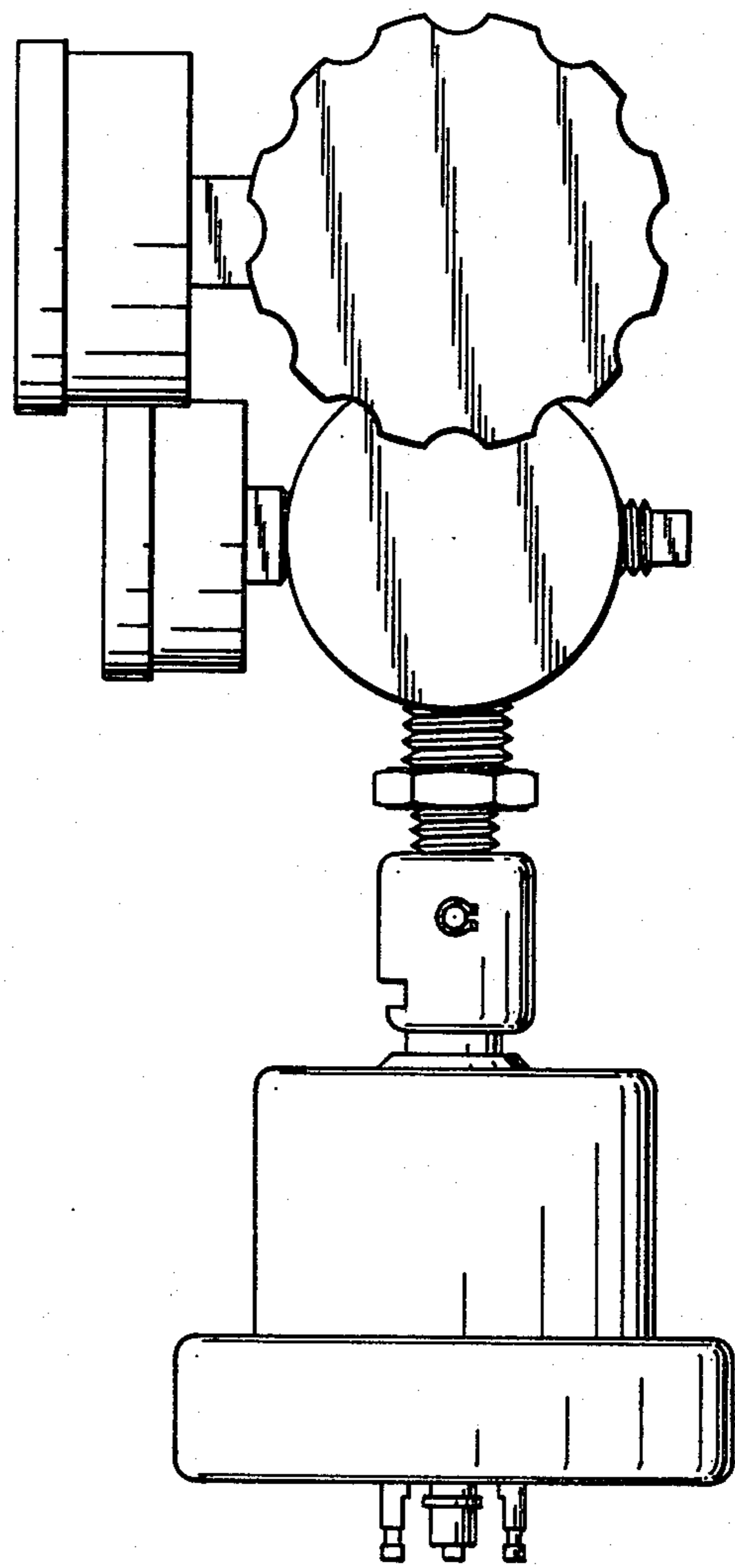


FIG. 2