

[54] LIGHT BEAM CLOCK
 [76] Inventor: Jerome H. Simon, 17 Hubbard Ave., Cambridge, Mass. 02140
 [**] Term: 14 Years
 [21] Appl. No.: 304,318
 [22] Filed: Sep. 21, 1981
 [52] U.S. Cl. D10/23
 [58] Field of Search D10/1, 2, 5, 6, 15, D10/20, 21, 22, 23, 122-126; 368/223, 227-229, 231-235, 76-77, 276-277, 285

4,036,009 7/1977 Sampson 368/233

FOREIGN PATENT DOCUMENTS

1139119 6/1957 France 368/228

Primary Examiner—Nelson C. Holtje
Attorney, Agent, or Firm—Joseph S. Iandiorio

[57] CLAIM

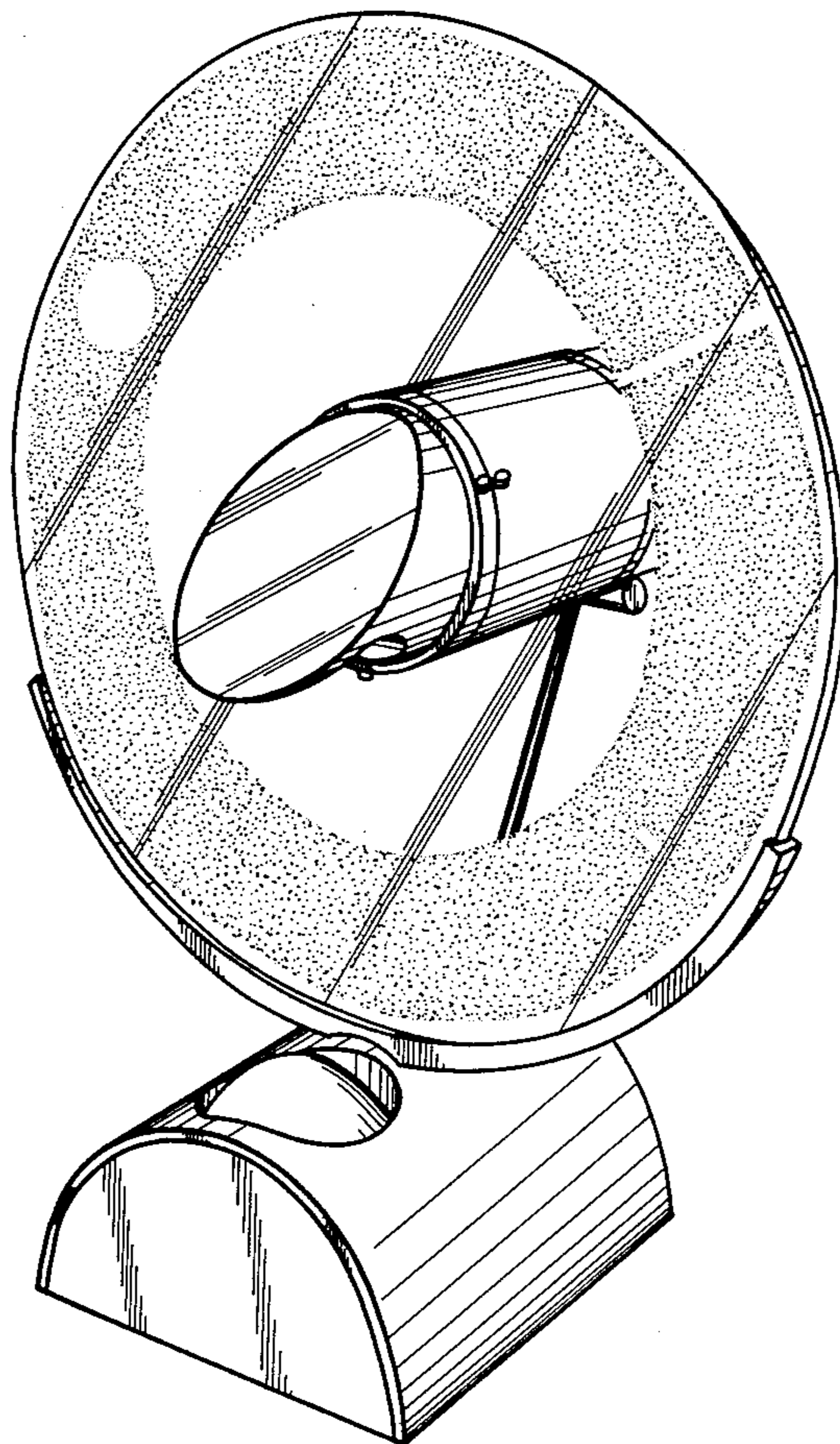
The ornamental design for the light beam clock, as shown and described.

DESCRIPTION

FIG. 1 is a top and right front perspective view of a light beam clock showing my new design;
 FIG. 2 is a front elevational view thereof;
 FIG. 3 is a rear elevational view thereof;
 FIG. 4 is a right side elevational view thereof, the left side being a mirror image thereto;
 FIG. 5 is a top plan view thereof;
 FIG. 6 is a cross-sectional view as taken from line 6—6 of FIG. 4;
 FIG. 7 is a cross-sectional view as taken from line 7—7 of FIG. 4.

[56] References Cited
 U.S. PATENT DOCUMENTS

D. 105,293	7/1937	Mariani	D10/23
D. 110,124	6/1938	Schlenker	D10/23
D. 249,648	9/1978	Geitenbeek	D10/1
1,711,296	4/1929	Willens	368/76
2,642,713	6/1953	Prins	D10/23 X
2,749,704	6/1956	Heikkila	D10/23 X
3,668,858	6/1972	Hartwig	368/77



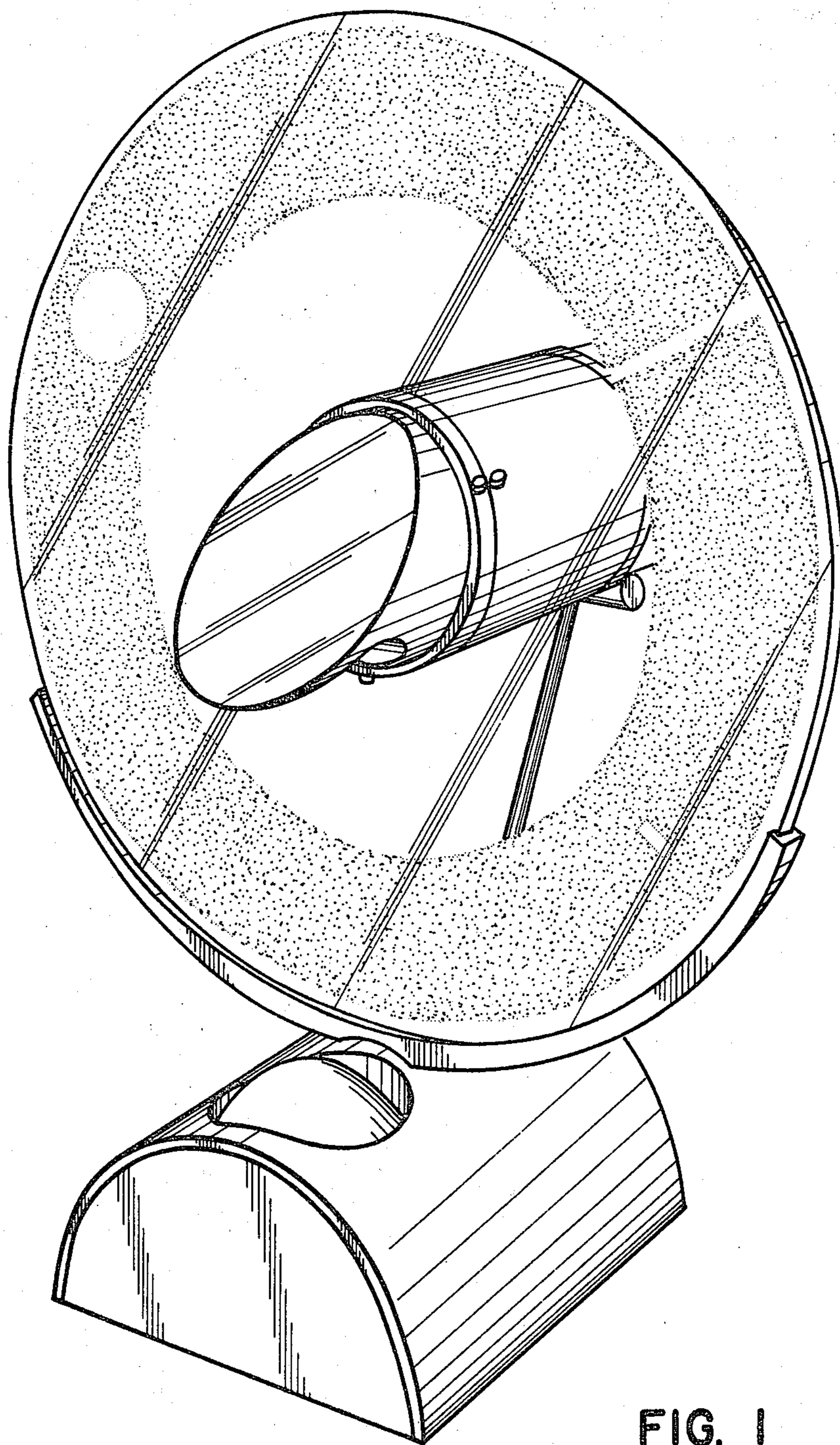


FIG. 1

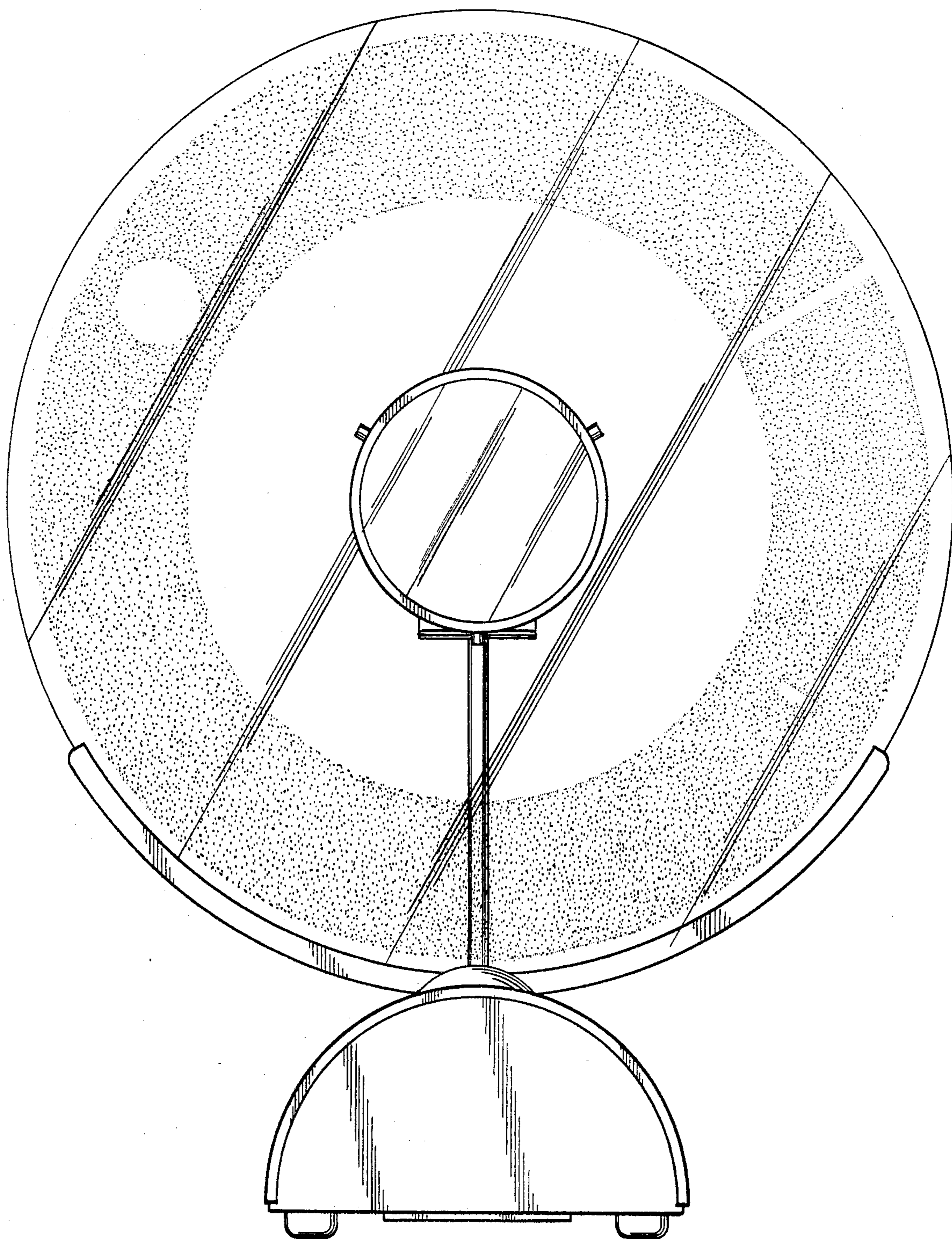


FIG. 2

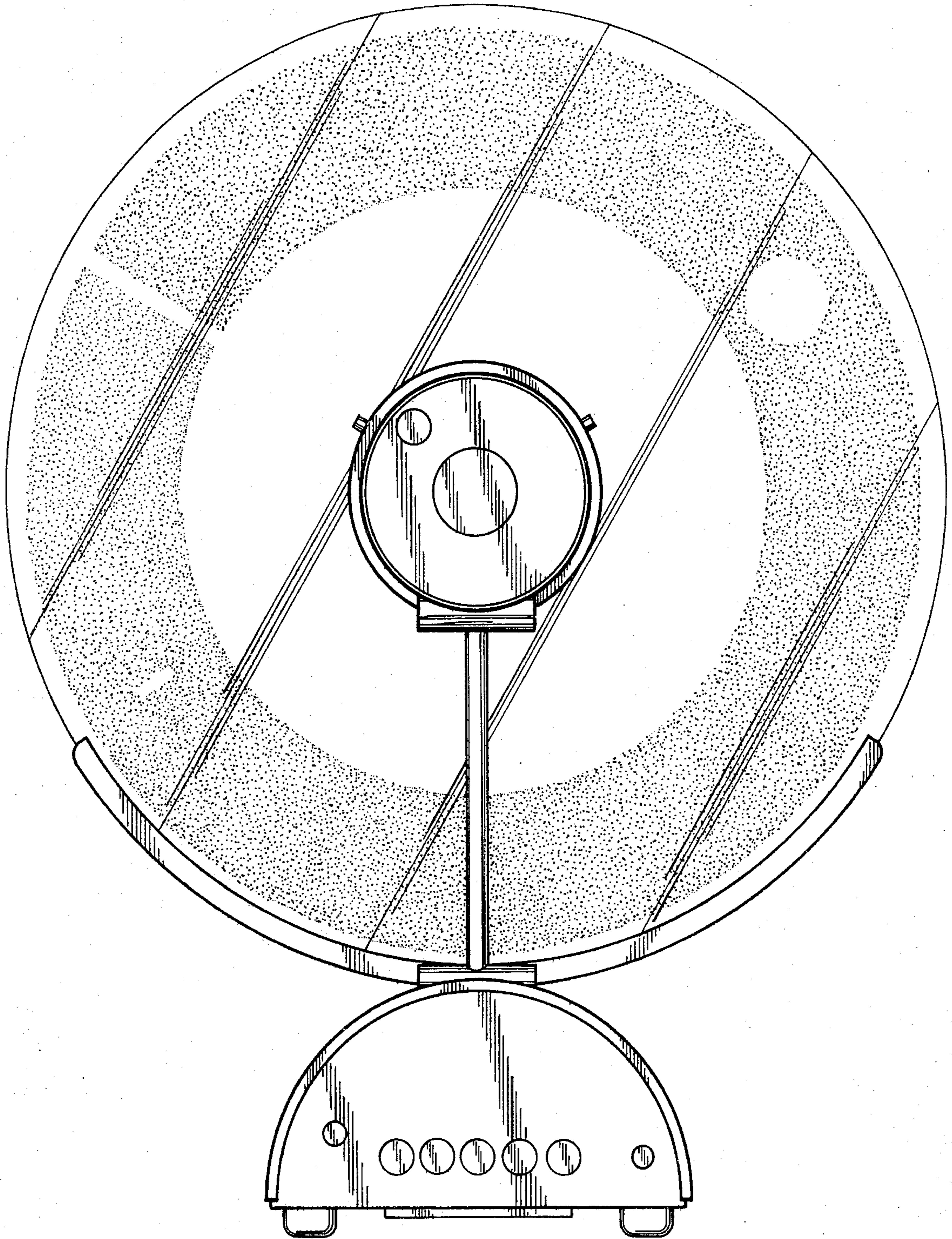


FIG. 3

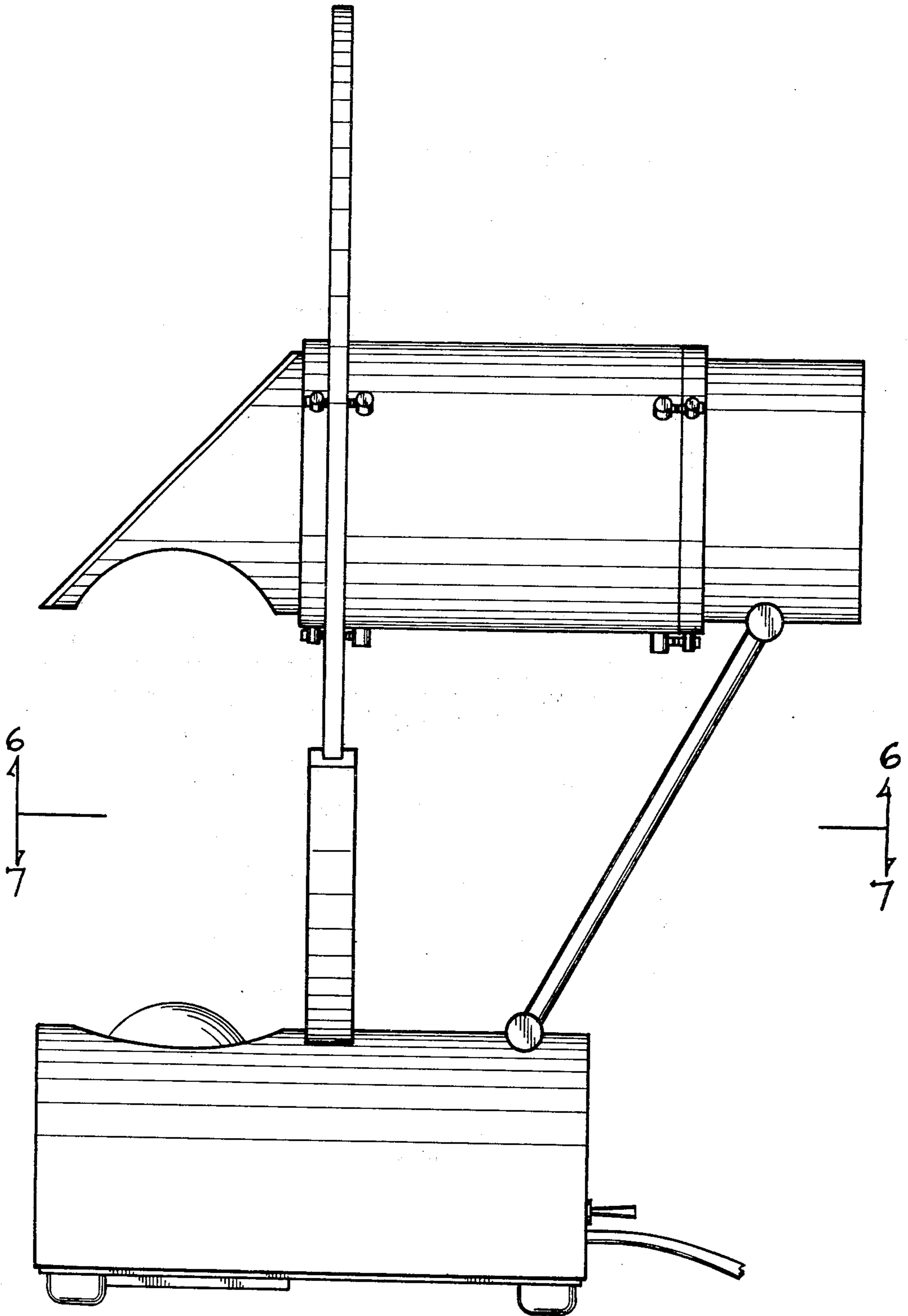


FIG. 4

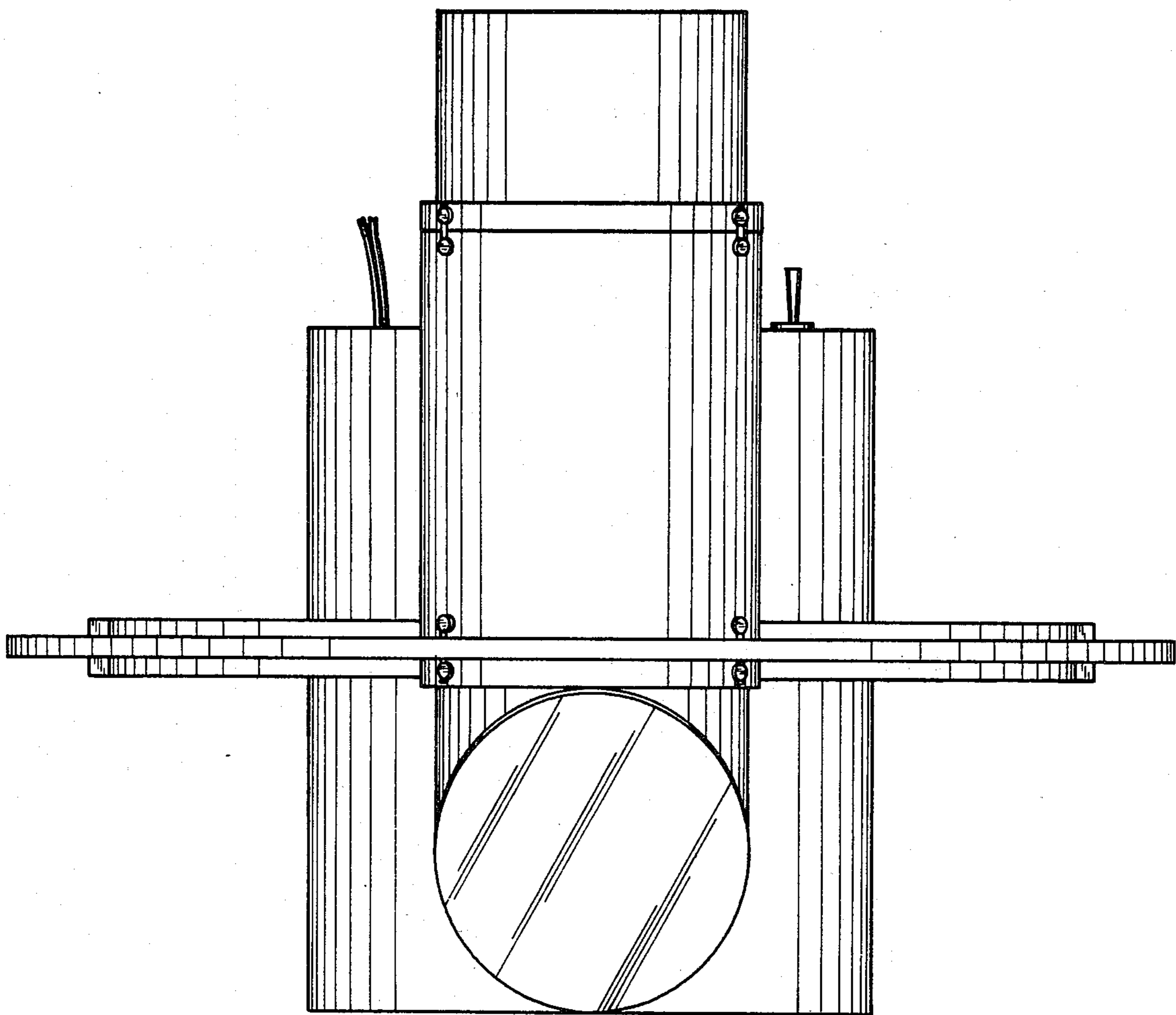


FIG. 5

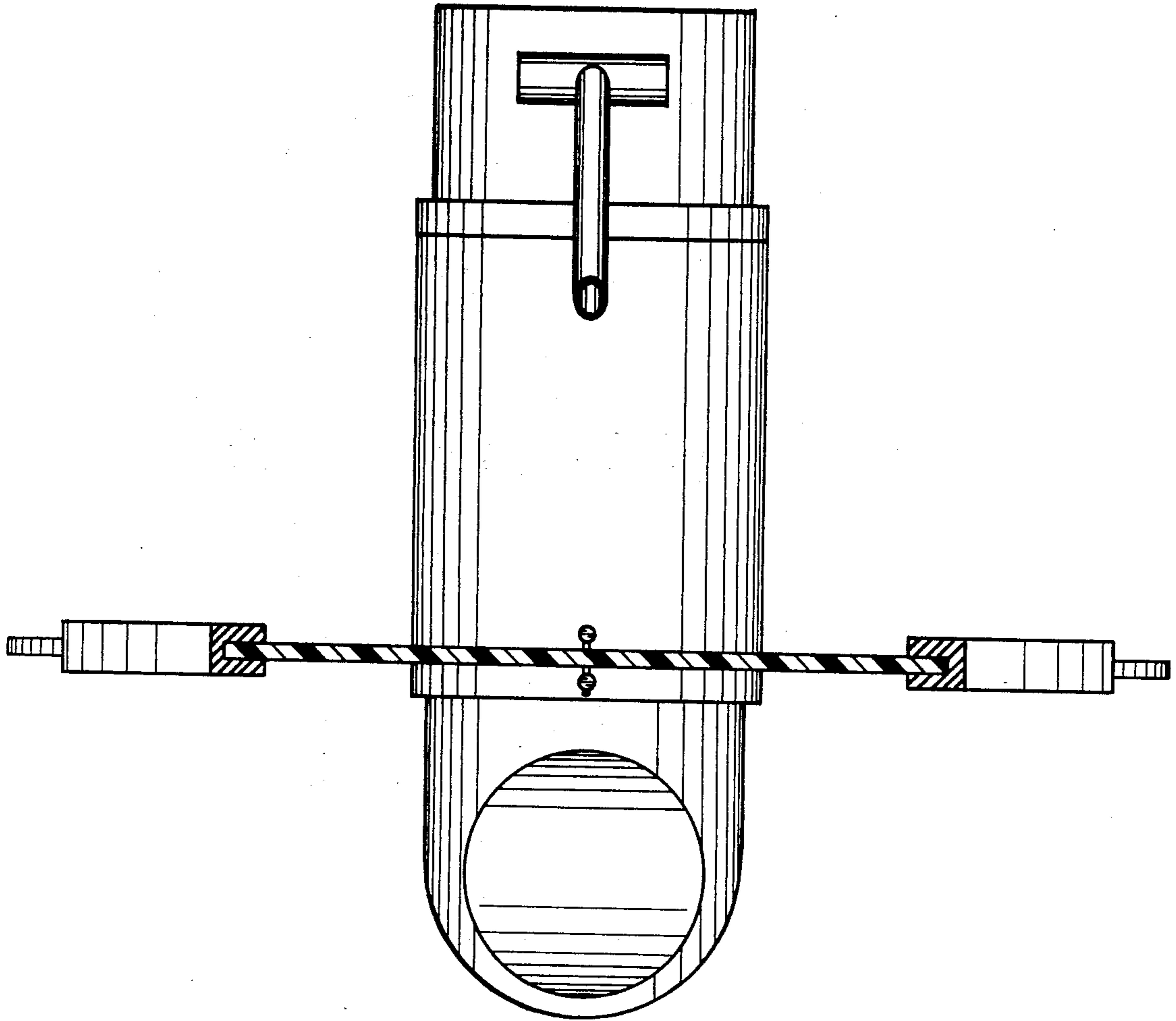


FIG. 6

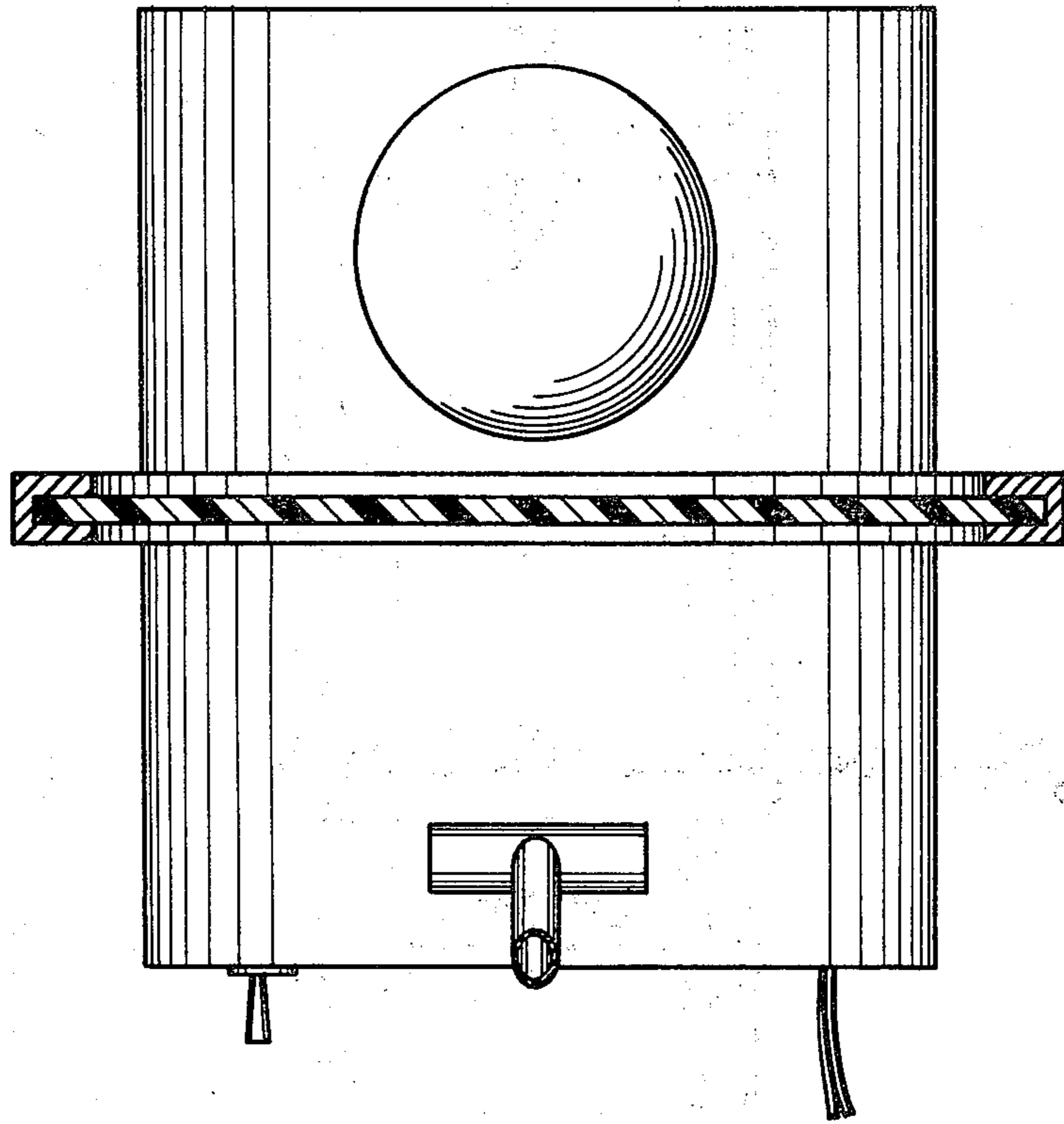


FIG. 7