

[54] FILTER CLAMP FOR PIPES AND THE LIKE

2,341,414 2/1944 Poliuka 210/445
3,686,835 8/1972 Strange et al. 210/445

[75] Inventor: Glen B. Carlson, Sandy, Utah

Primary Examiner—B. J. Bullock
Attorney, Agent, or Firm—Max L. Wymore

[73] Assignee: Kaman Sciences Corporation,
Colorado Springs, Colo.

[57] CLAIM

[**] Term: 14 Years

The ornamental design for a filter clamp for pipes and the like, as shown.

[21] Appl. No.: 312,312

DESCRIPTION

[22] Filed: Oct. 16, 1981

[52] U.S. Cl. D8/394; D23/4

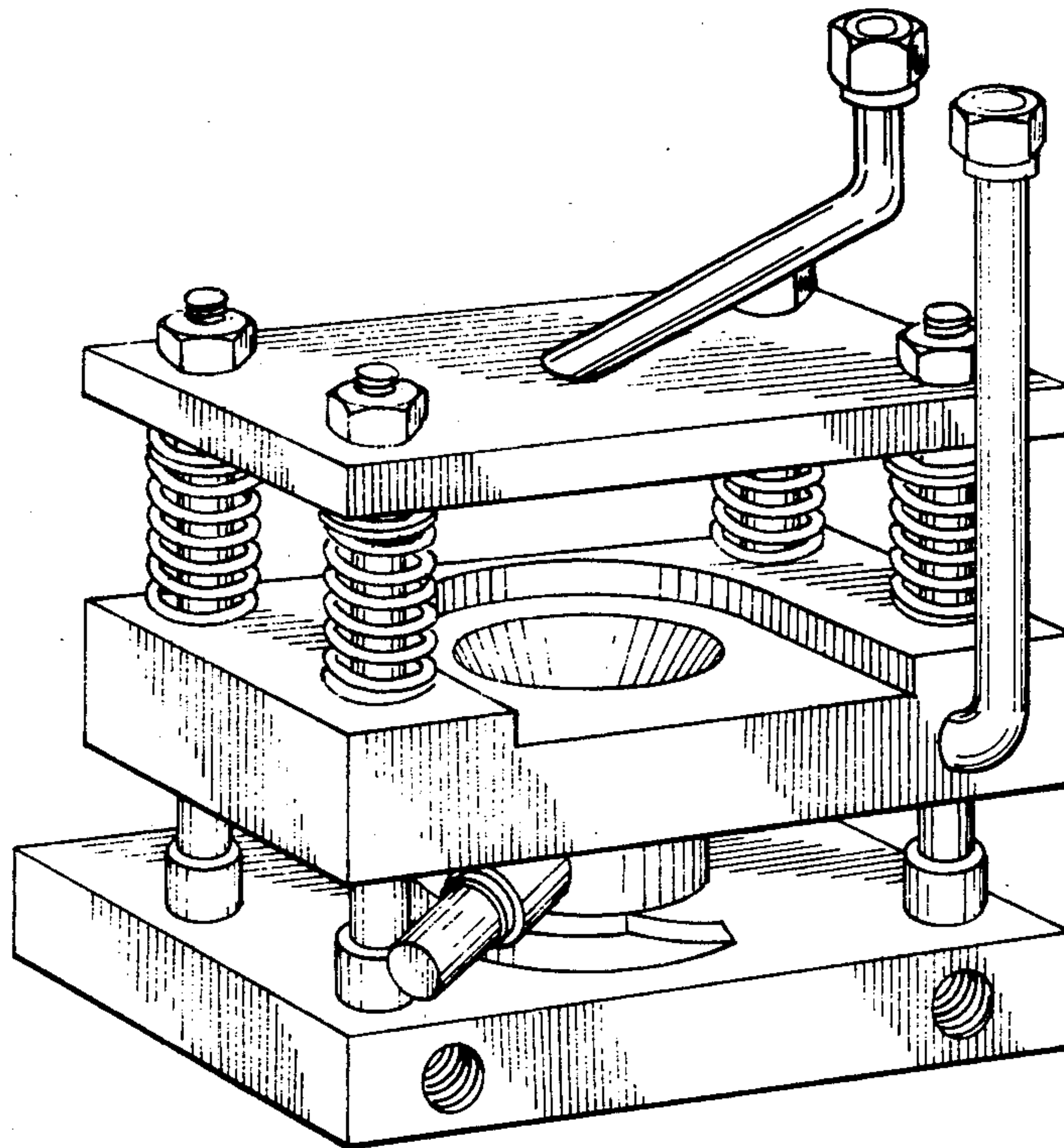
[58] Field of Search D8/382, 394; D23/4;
210/246, 435, 445, 463

FIG. 1 is a perspective view of the filter clamp for pipes and the like showing my new design;
FIG. 2 is a front elevational view thereof;
FIG. 3 is a rear elevational view thereof;
FIG. 4 is a side elevational view taken from the right of FIG. 1;
FIG. 5 is a side elevational view taken from the left of FIG. 1;
FIG. 6 is a top plan view thereof; and,
FIG. 7 is a bottom plan view thereof.

[56] References Cited

U.S. PATENT DOCUMENTS

D. 264,553 5/1982 Wight et al. D8/396
965,451 7/1910 Gledhill et al. 210/445
2,073,991 3/1937 Koser 210/445



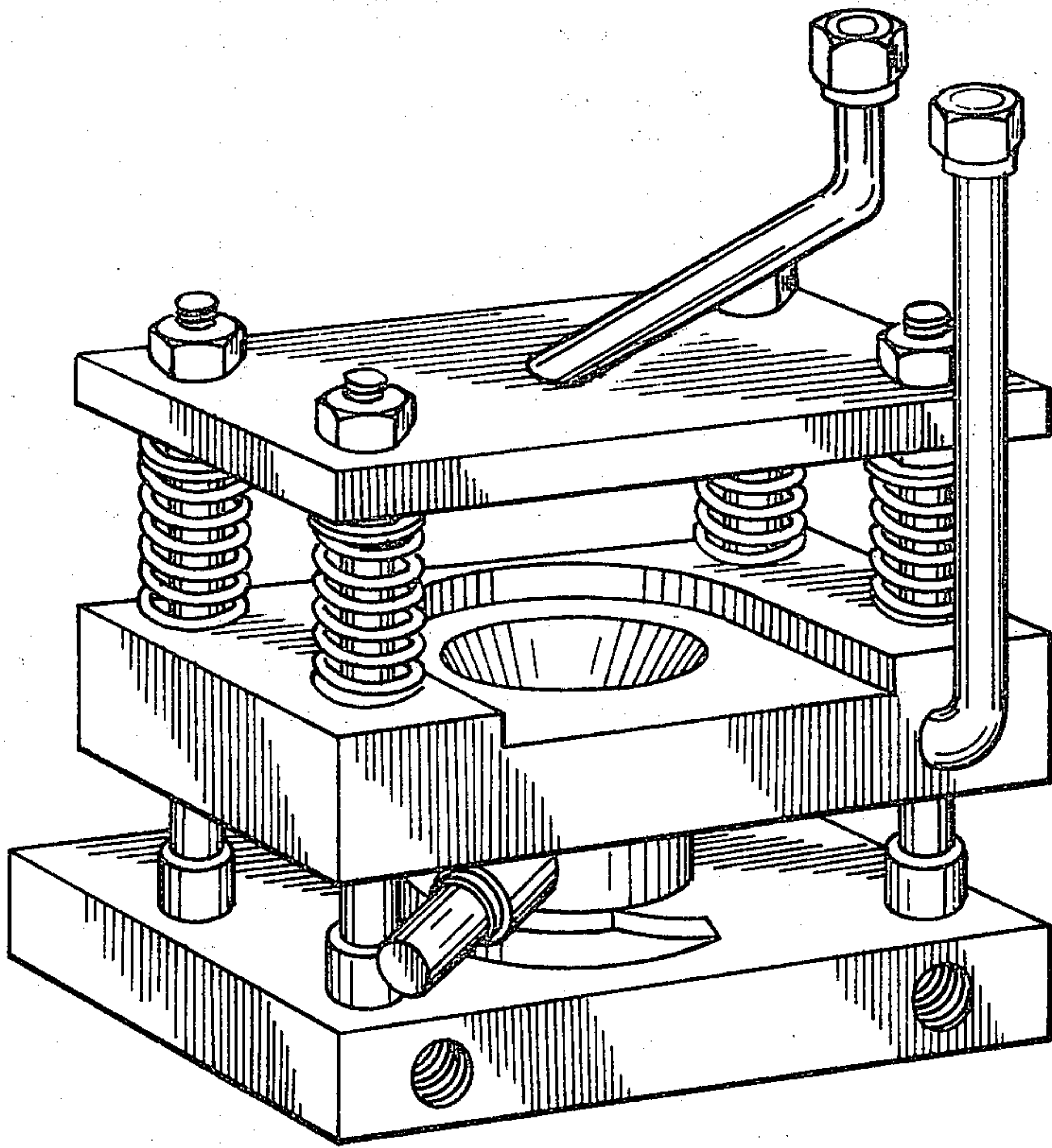


FIG. 1

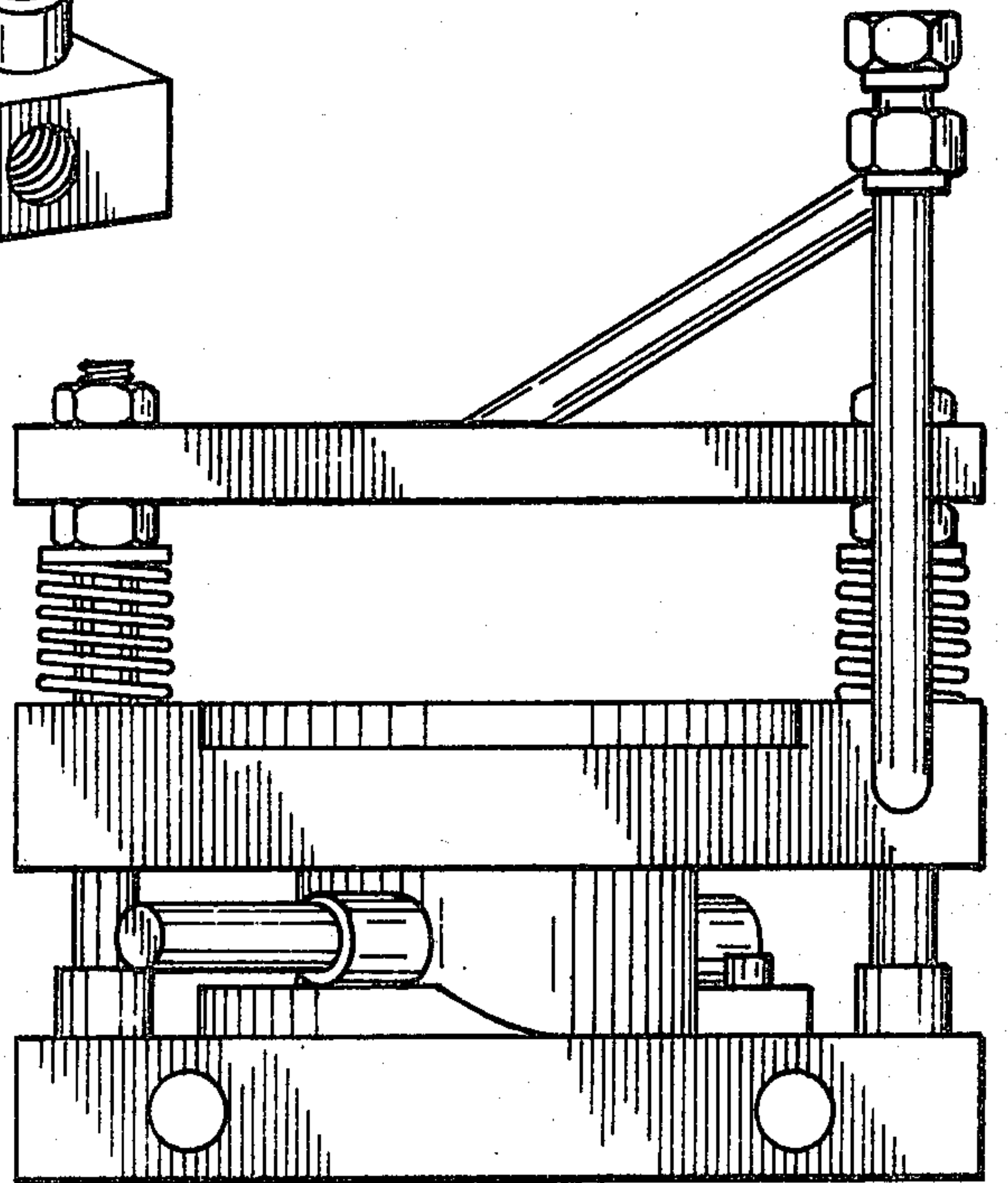


FIG. 2

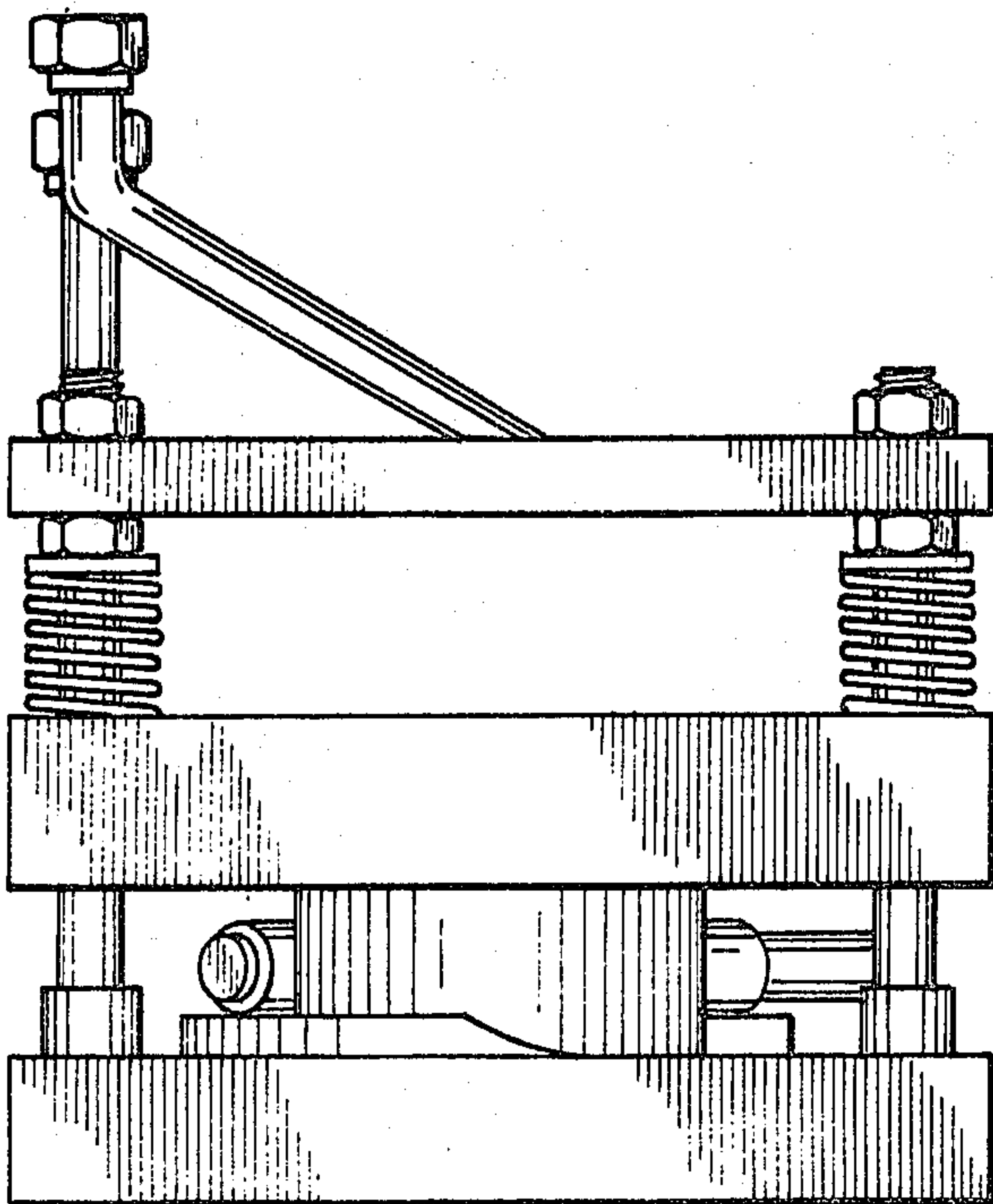


FIG. 3

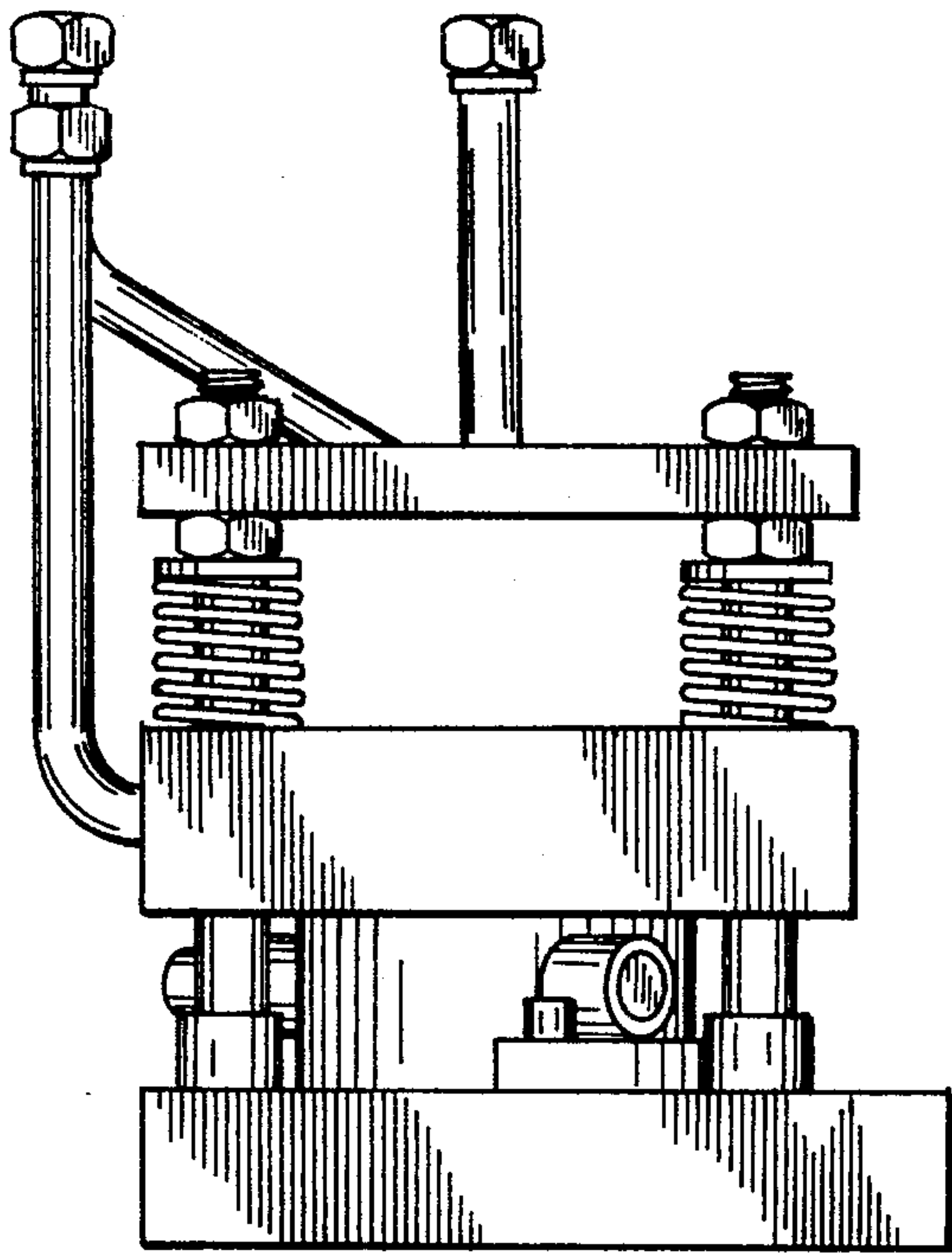


FIG. 4

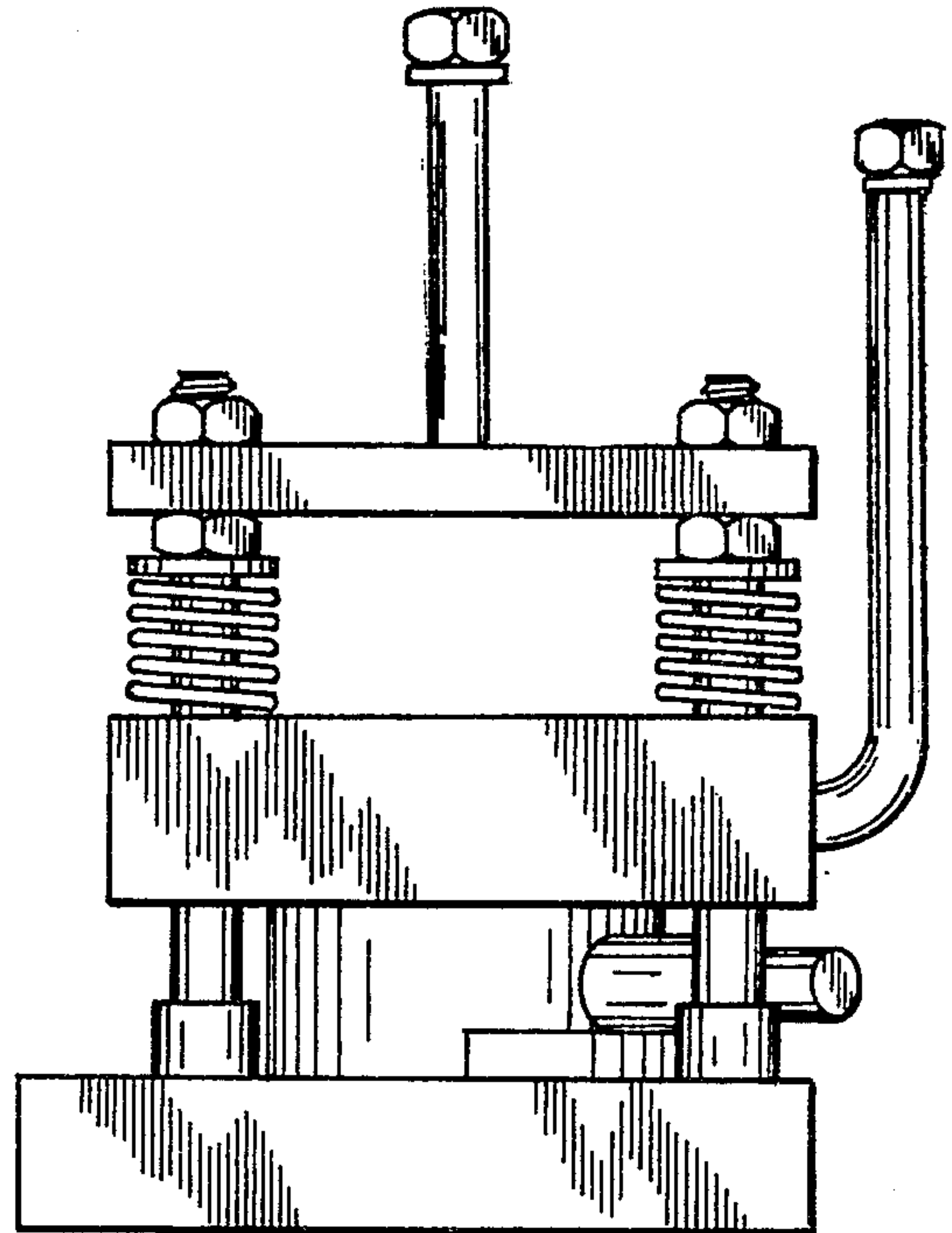


FIG. 5

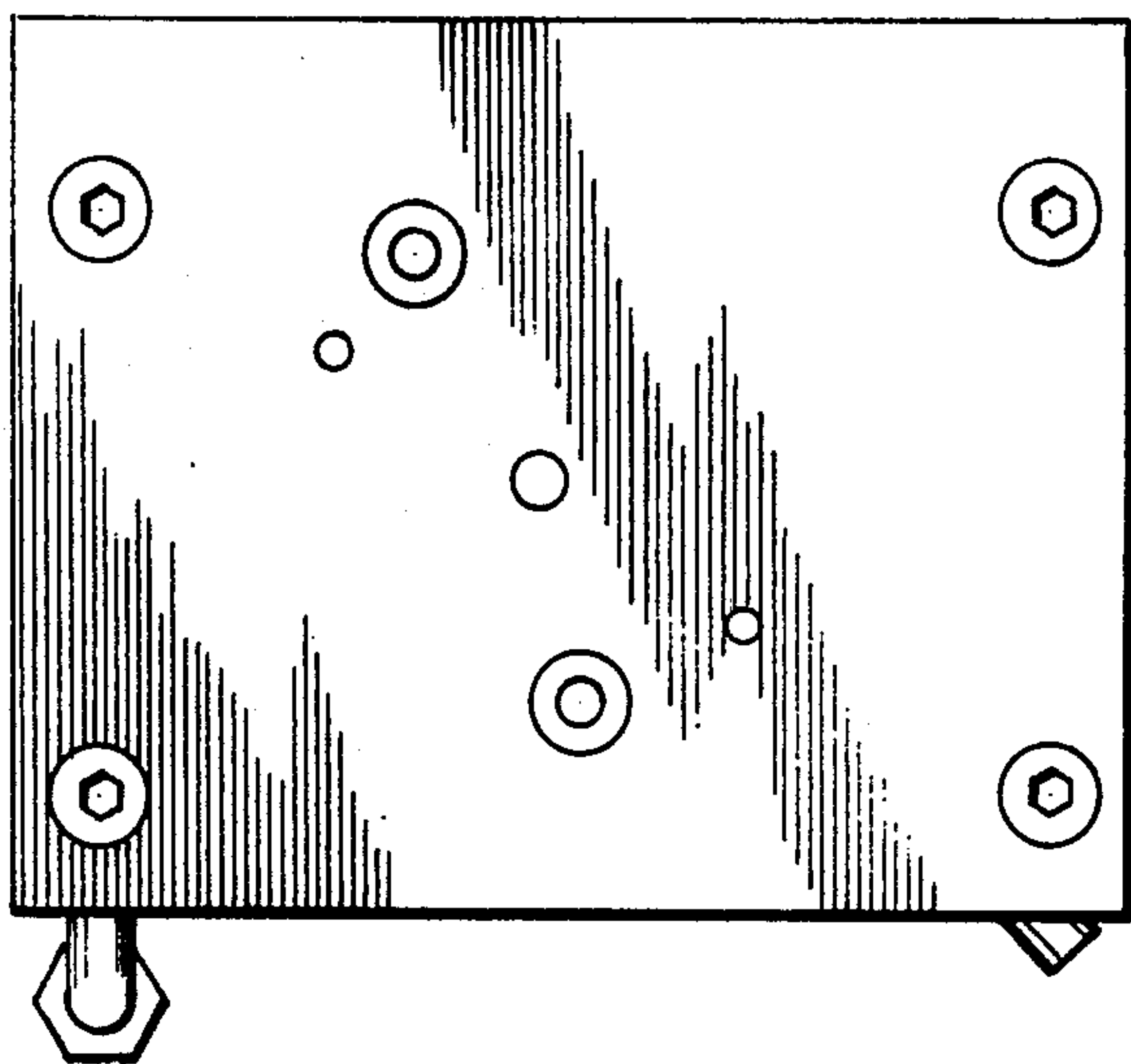


FIG. 6

FIG. 7

