

[54] **FIXTURE HANGER**
[75] **Inventor: Hendrik A. J. de Vos, Swansea, Mass.**
[73] **Assignee: GTE Products Corporation, Stamford, Conn.**
[**] **Term: 14 Years**
[21] **Appl. No.: 350,847**
[22] **Filed: Feb. 22, 1982**
[52] **U.S. Cl. D8/373**
[58] **Field of Search D8/373, 380, 354, 349, D8/366, 364; 248/343, 318, 342, 317, 324; 174/61, 63, 50**

3,872,296 3/1975 Cohen et al. 248/343
3,987,992 10/1976 Foflygen 248/342
4,025,019 5/1977 Jacobsen et al. 248/317

FOREIGN PATENT DOCUMENTS

670886 9/1963 Canada 248/343
52-47701 1/1977 Japan 248/343
878507 10/1961 United Kingdom 248/317

OTHER PUBLICATIONS

Zierick Mfg. Corp. Catalog, ©1966—Title Lugs, Clips, Terminals/Metal Stampings, items #701, #580 on p. 25, #553 p. 30.

Primary Examiner—Wallace R. Burke
Assistant Examiner—Horace B. Fay
Attorney, Agent, or Firm—Lawrence R. Fraley

[56] **References Cited**

U.S. PATENT DOCUMENTS

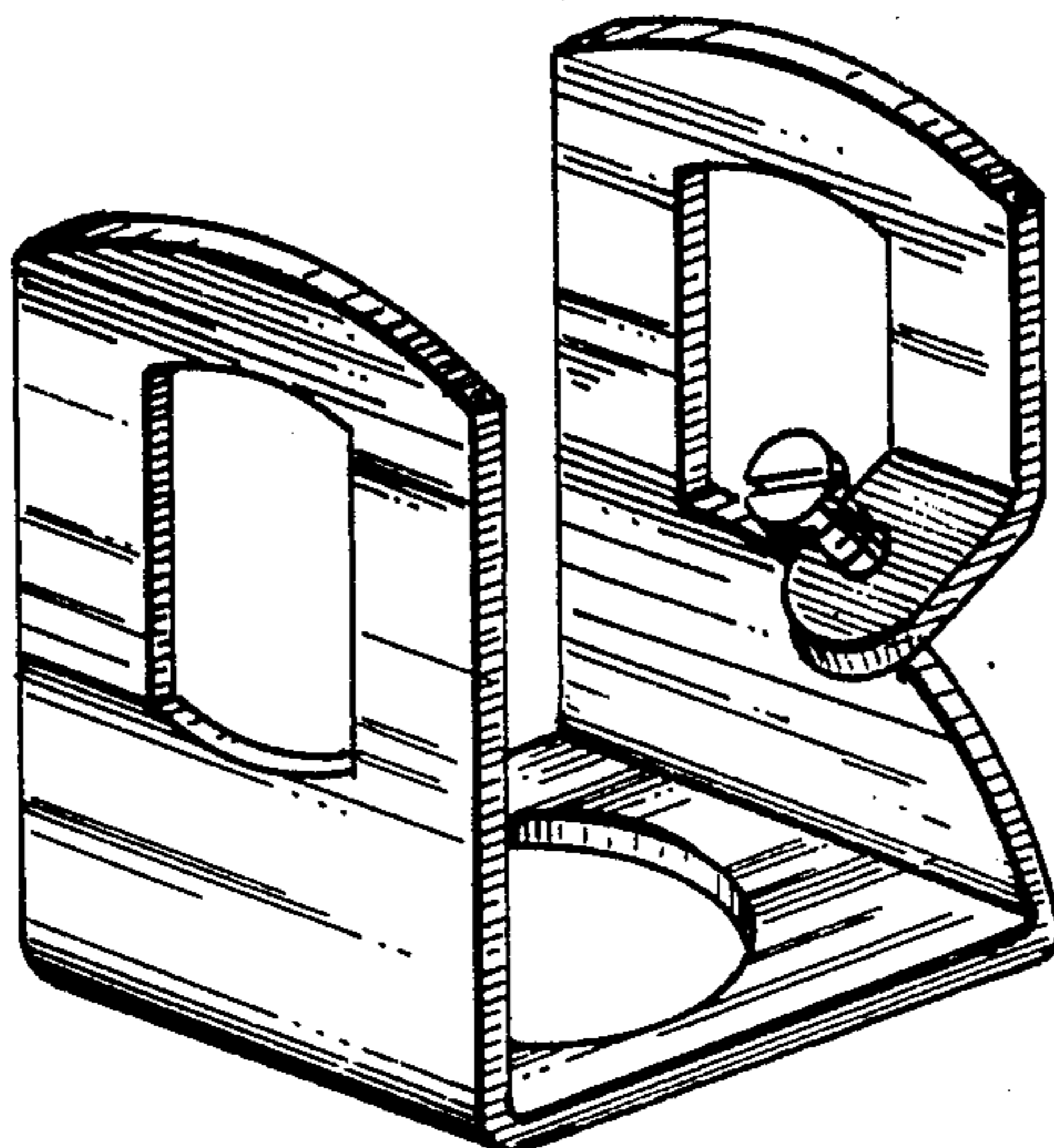
714,600 11/1902 Müller 174/61
1,155,350 10/1915 Gilson et al. 174/61
1,200,877 10/1916 Sable 248/343
2,291,492 7/1942 Naysmith 248/317
2,455,141 7/1946 Range 248/316.8
2,545,564 3/1951 Appleton 248/343
2,739,780 3/1956 Richards 248/324
2,841,255 7/1958 Kemp 248/317 X
2,861,121 11/1958 Wolar 174/61
2,943,137 6/1960 Van Wynganden 174/61
3,012,090 12/1961 Robbins 174/61
3,066,904 12/1962 Cook et al. 248/342
3,087,118 4/1963 Goffstein 248/317
3,104,087 9/1963 Badnick et al. 248/343
3,356,840 12/1967 Cohen 248/343
3,565,385 2/1971 Zurawski 248/343
3,780,973 12/1973 Dalton, Jr. 248/342
3,784,144 1/1974 Ollinger et al. 248/317
3,809,358 5/1974 Hazeley 248/317

[57] **CLAIM**

The ornamental design for a fixture hanger, as shown and described.

DESCRIPTION

FIG. 1 is a perspective view of fixture hanger, showing my new design;
FIG. 2 is a side elevational view thereof as taken along the line 2—2 in FIG. 5;
FIG. 3 is a side elevational view thereof taken from the opposite side shown in FIG. 2;
FIG. 4 is a rear elevational view thereof as taken along the line 4—4 in FIG. 6;
FIG. 5 is a front elevational view thereof as taken along the line 5—5 in FIG. 6;
FIG. 6 is a top plan view thereof; and
FIG. 7 is a bottom plan view thereof, as taken along the lines 7—7 in FIG. 4.



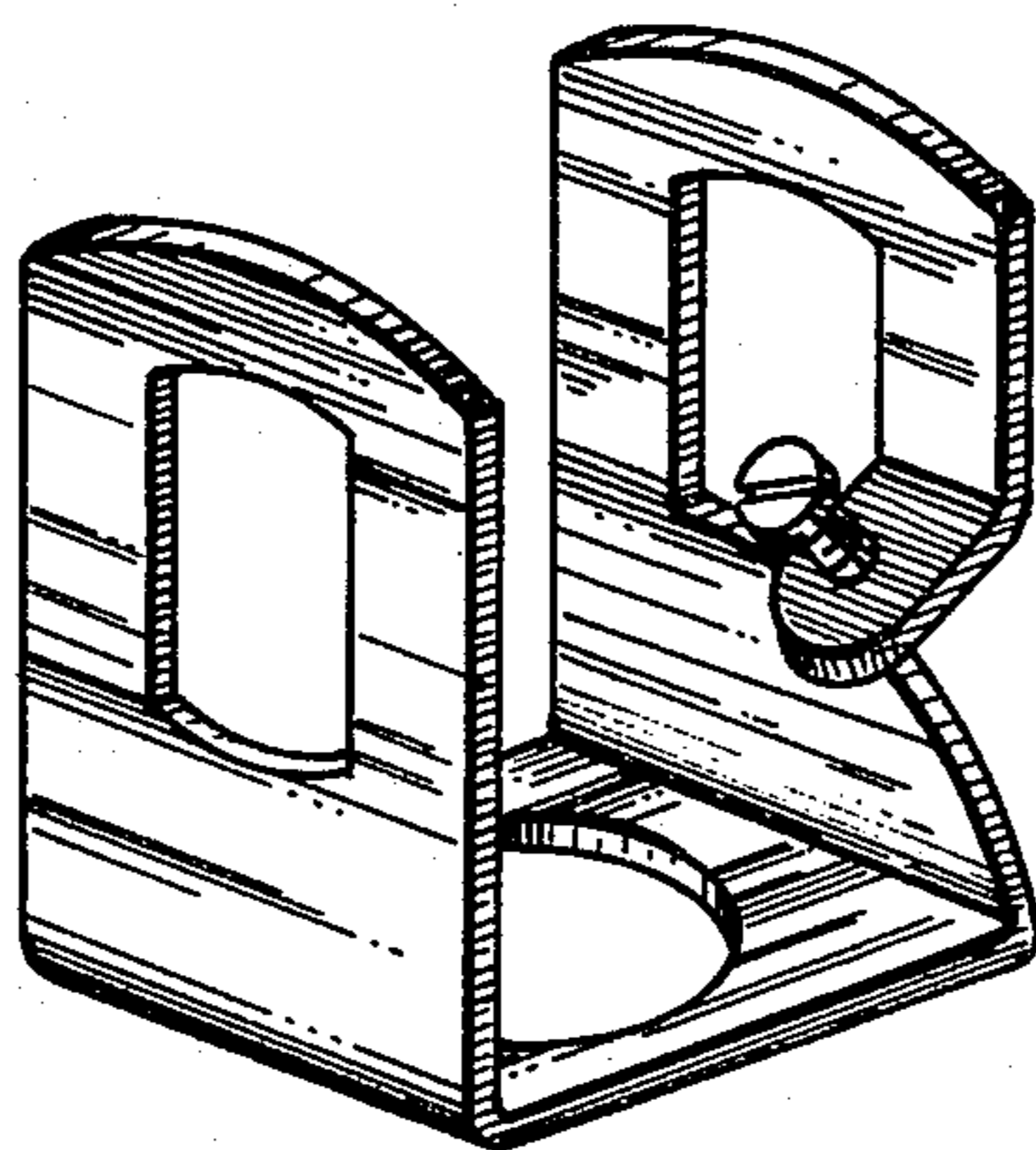


FIG. 1

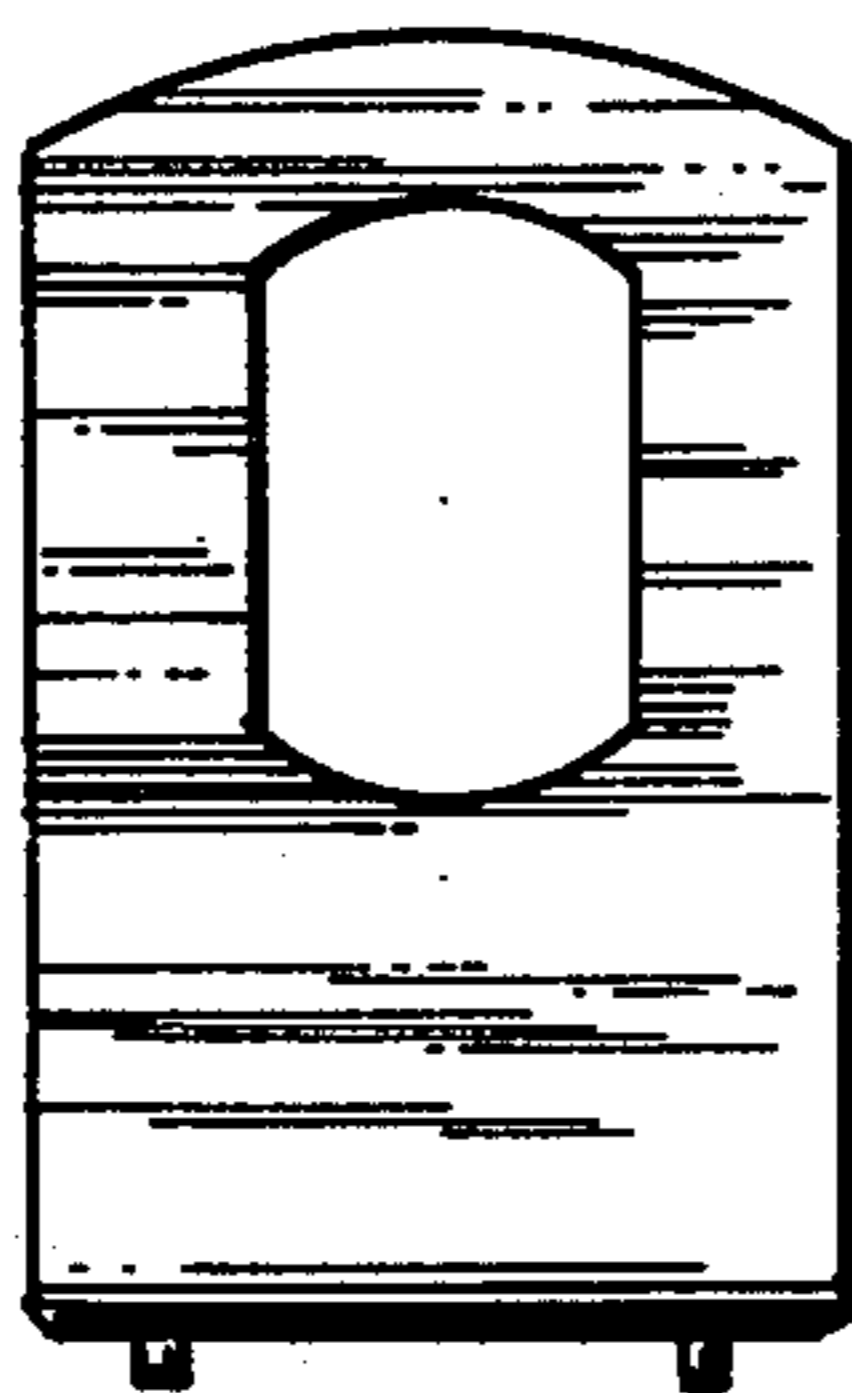


FIG. 2

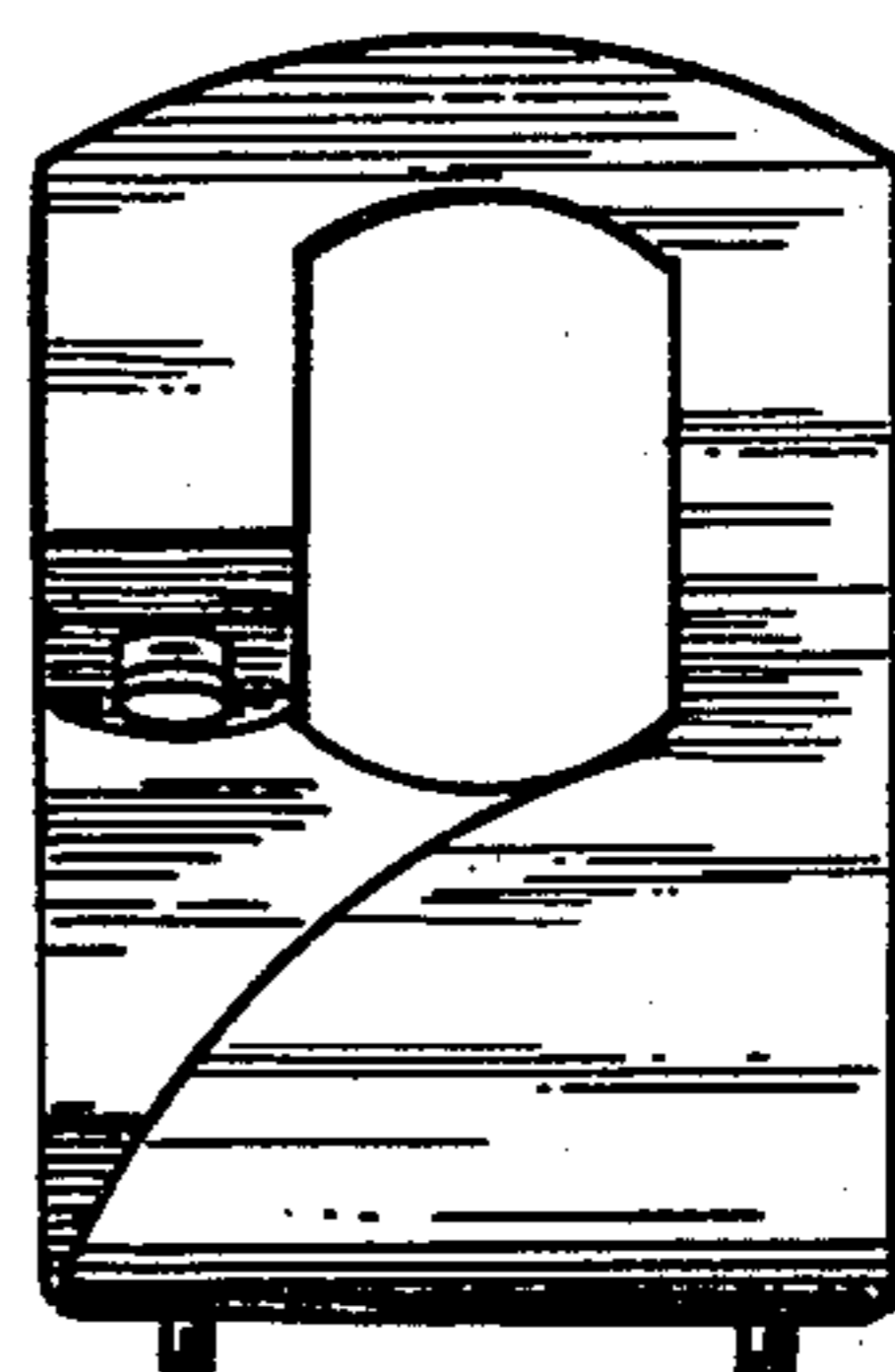


FIG. 3

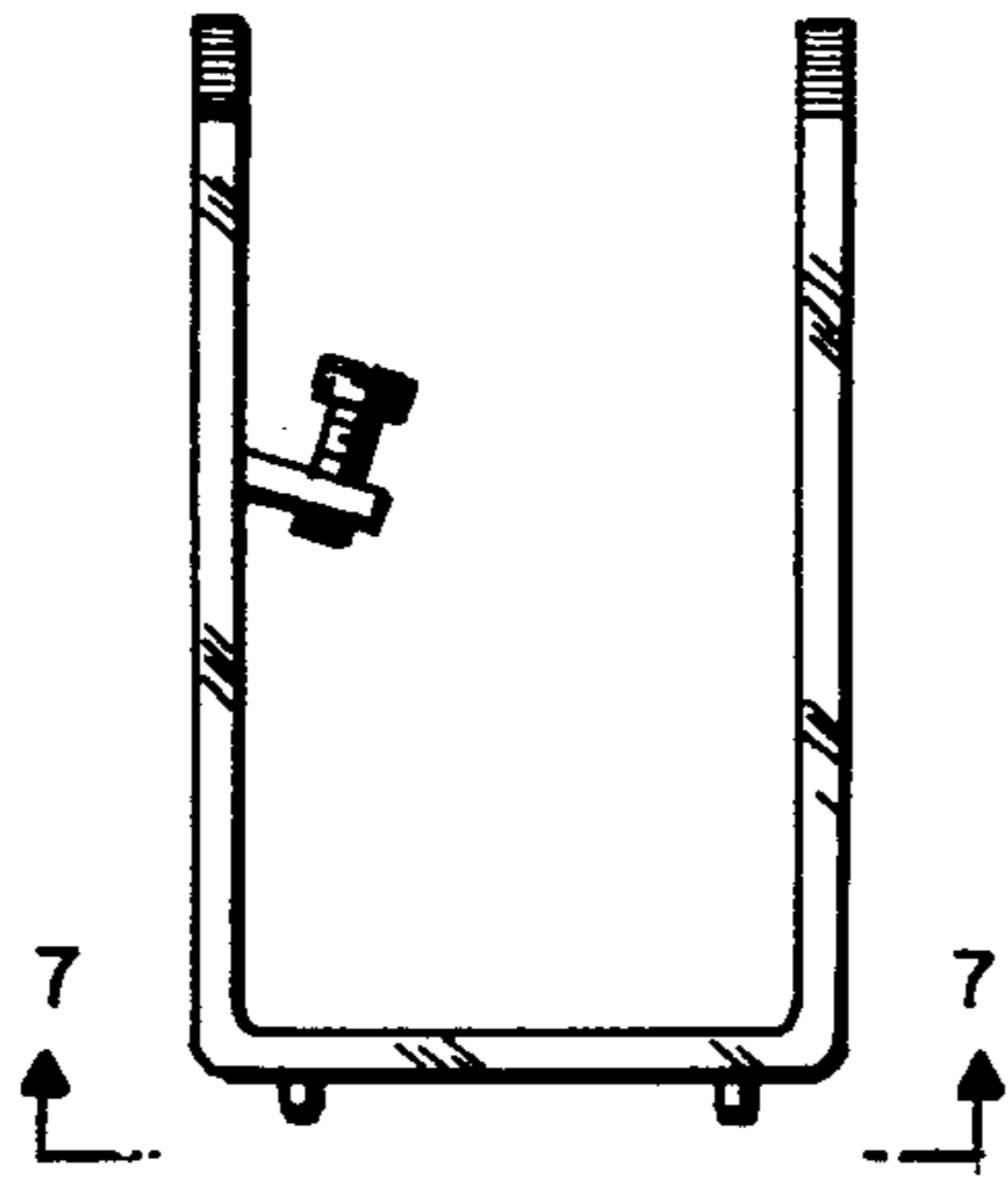


FIG. 4

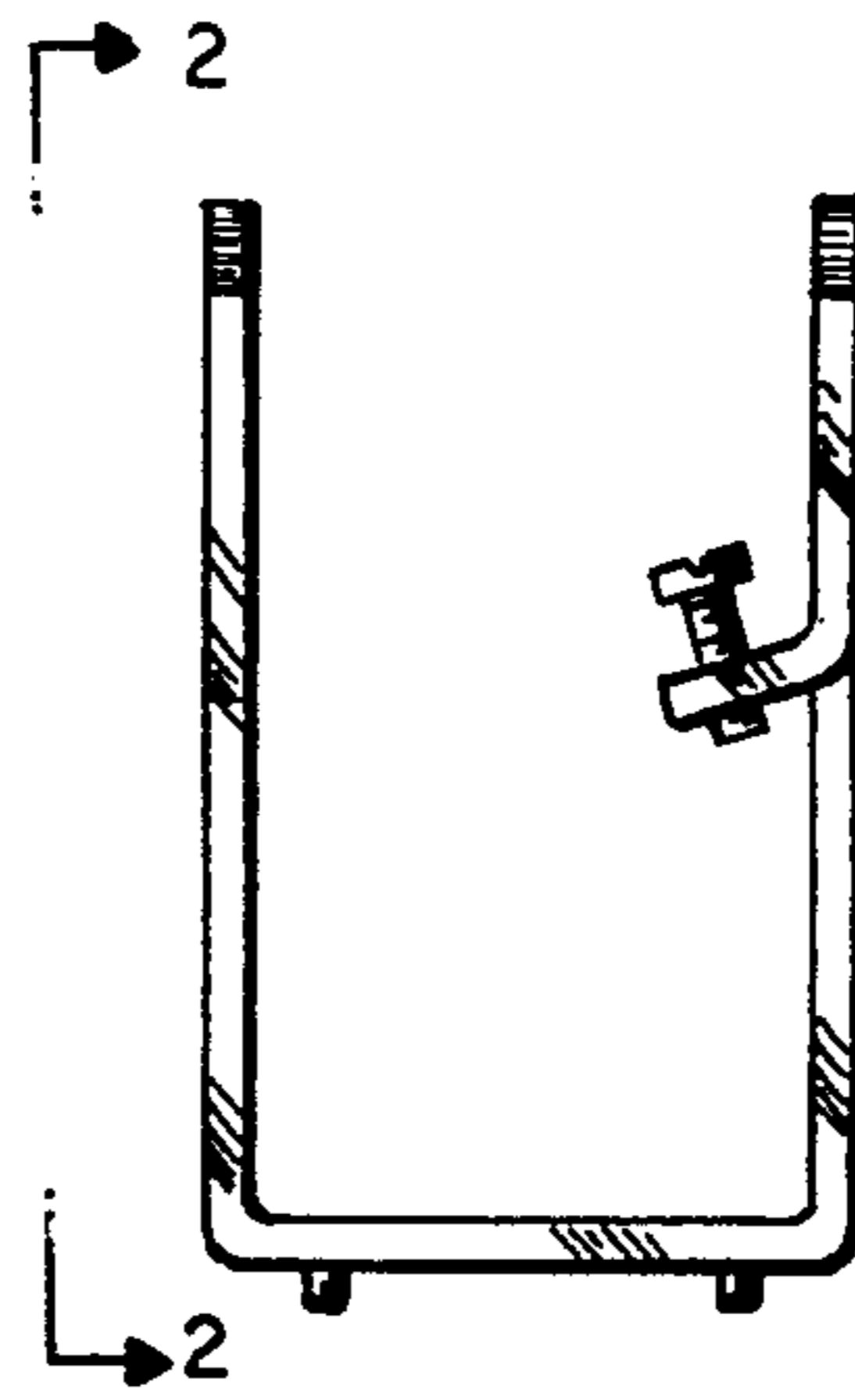


FIG. 5

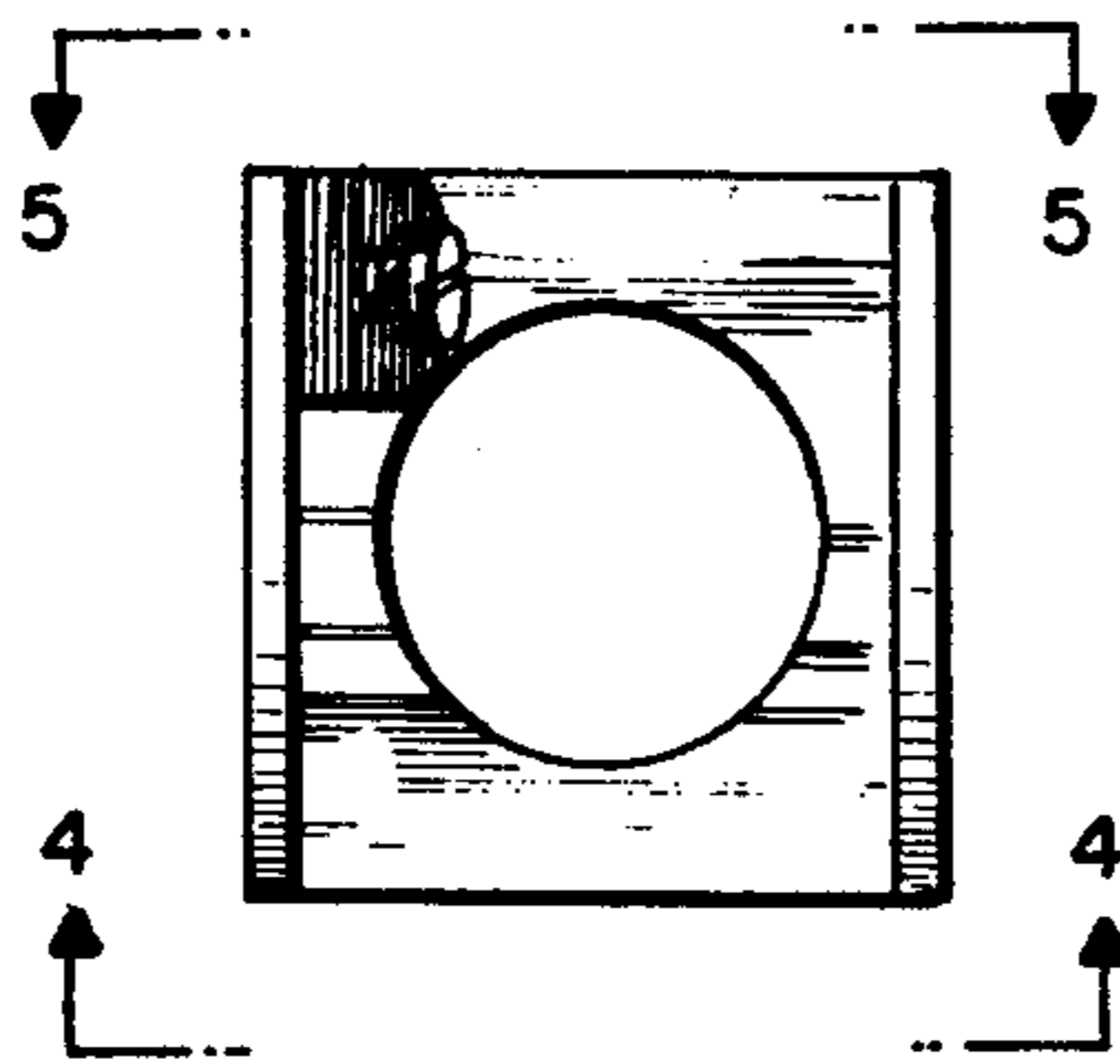


FIG. 6

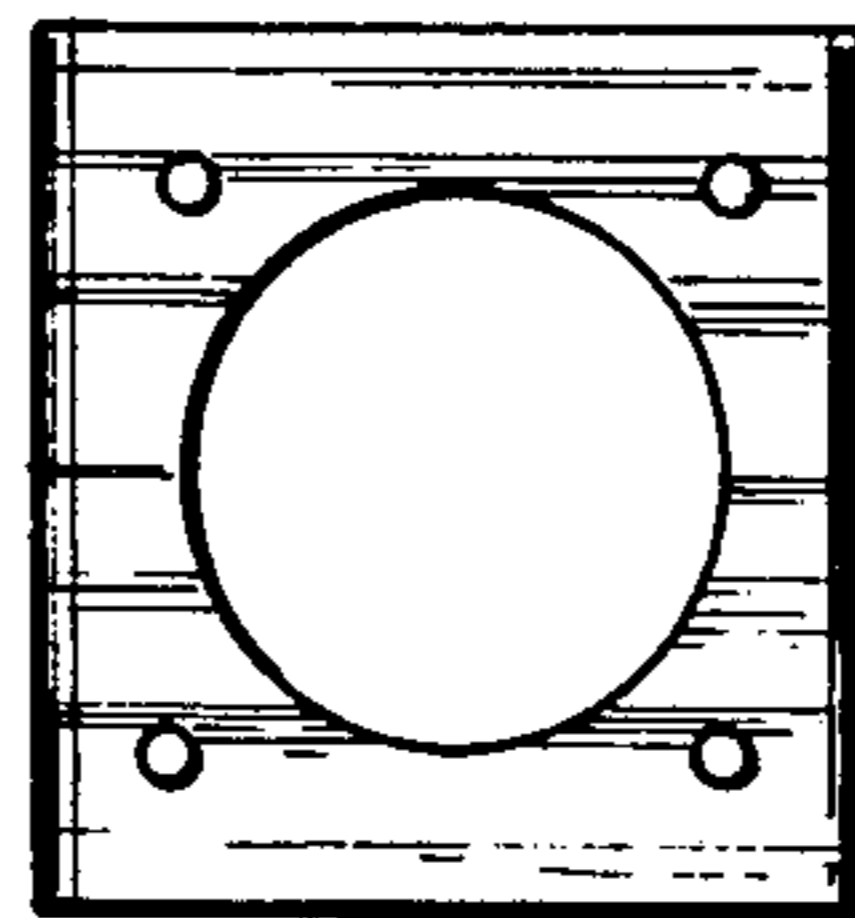


FIG. 7