

[54] CLAMP FOR WIRES AND OTHER ELONGATED BODIES OR THE LIKE

4,023,758 5/1977 Yuda ..... 248/73  
4,131,258 12/1978 Okuda et al. .... 248/73  
4,195,807 4/1980 Llange ..... 248/74 A

[75] Inventor: Nobuaki Omata, Hiroshima, Japan

Primary Examiner—James M. Gandy  
Assistant Examiner—Horace B. Fay  
Attorney, Agent, or Firm—J. R. Halvorsen; T. W. Buckman

[73] Assignee: Nifco Inc., Yokohama, Japan

[\*\*] Term: 14 Years

[21] Appl. No.: 243,006

[57] CLAIM

[22] Filed: Mar. 12, 1981

The ornamental design for a clamp for wires and other elongated bodies or the like, as shown and described.

[30] Foreign Application Priority Data

DESCRIPTION

Aug. 13, 1980 [JP] Japan ..... 32854/80

[52] U.S. Cl. .... D8/356

FIG. 1 is a top and left front perspective view of a clamp for wires and other elongated bodies or the like showing my new design;

[58] Field of Search ..... D8/354, 356, 394, 395, D8/396; 248/73, 74, 68 R, 74 R, 743, 74.5; 24/73, 255; 294/19.1

FIG. 2 is a front view thereof;

FIG. 3 is a rear view thereof;

FIG. 4 is a top plan view thereof;

FIG. 5 is a bottom view thereof;

FIG. 6 is a right side view thereof; and

FIG. 7 is a left side view thereof.

[56] References Cited

U.S. PATENT DOCUMENTS

3,913,187 10/1975 Okuda ..... 24/255

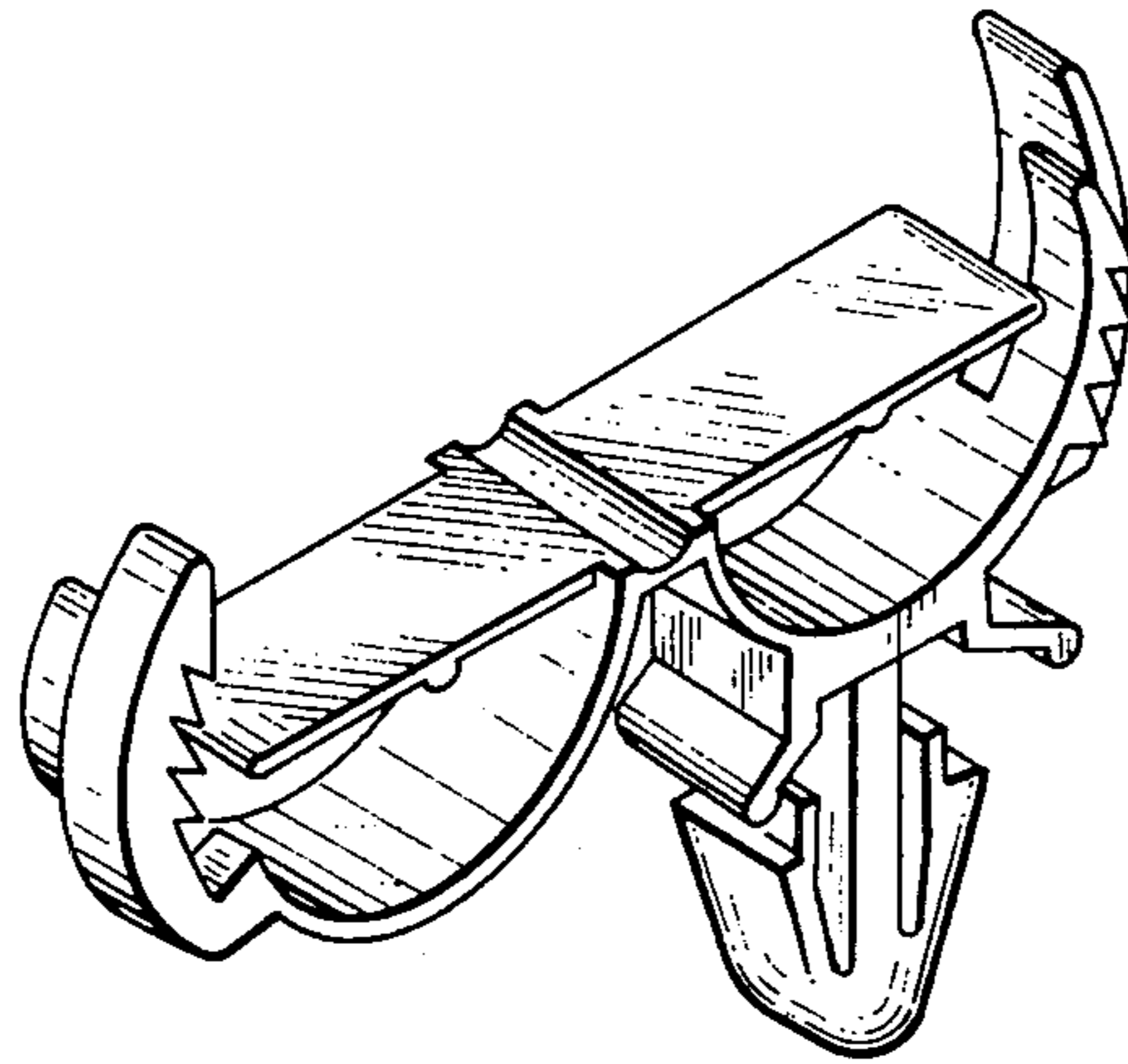


FIG. 1

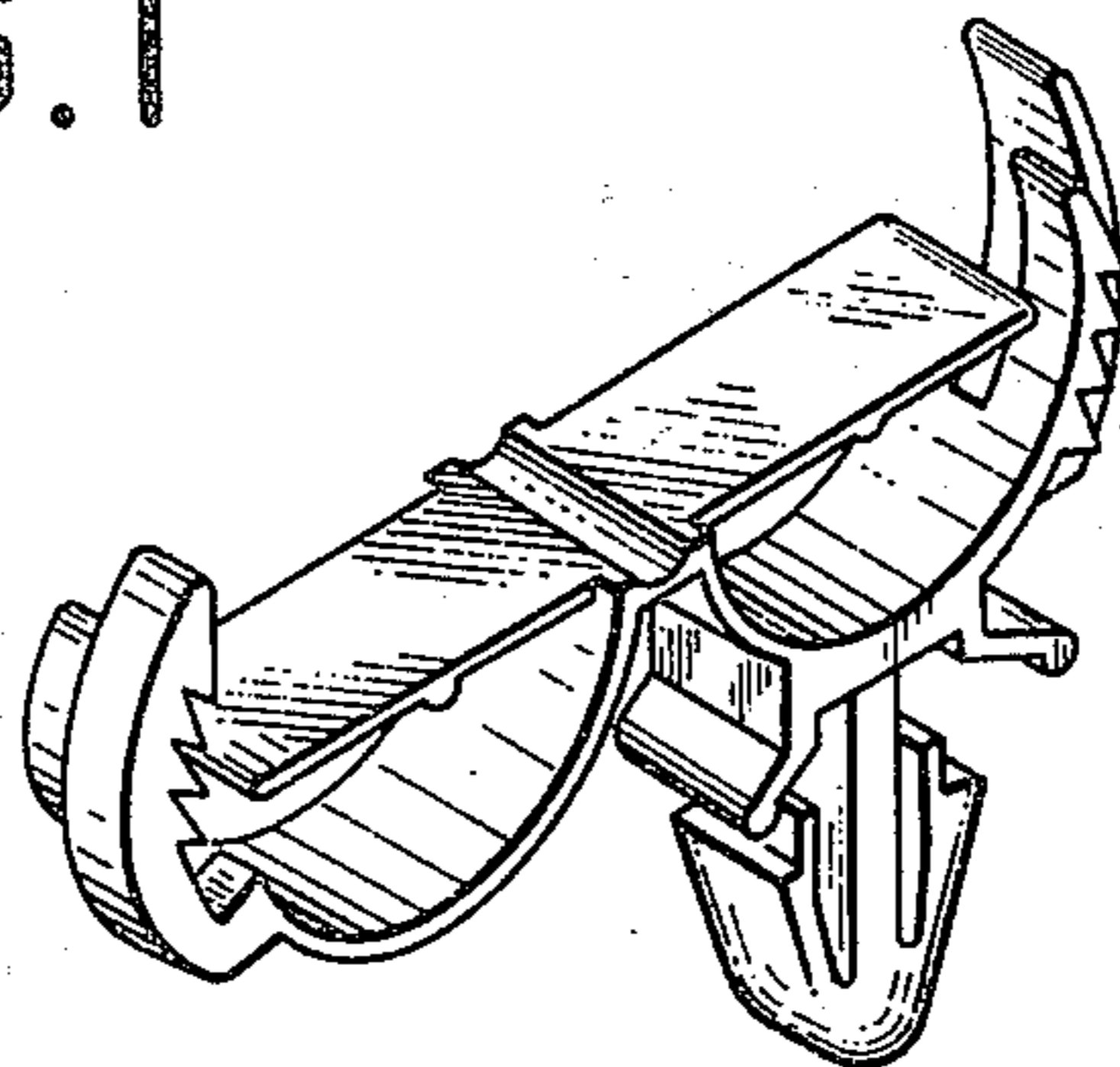


FIG. 2

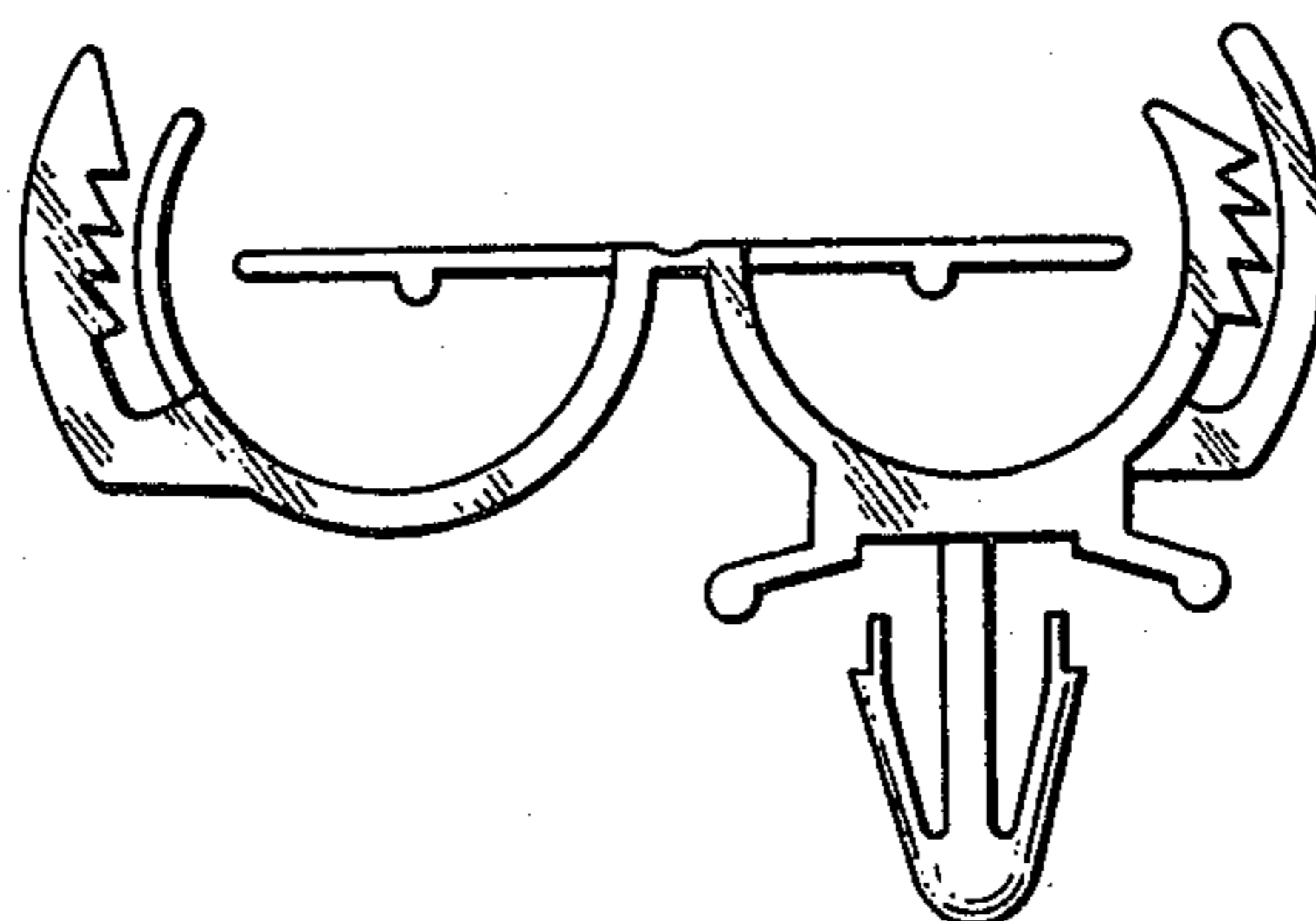


FIG. 3

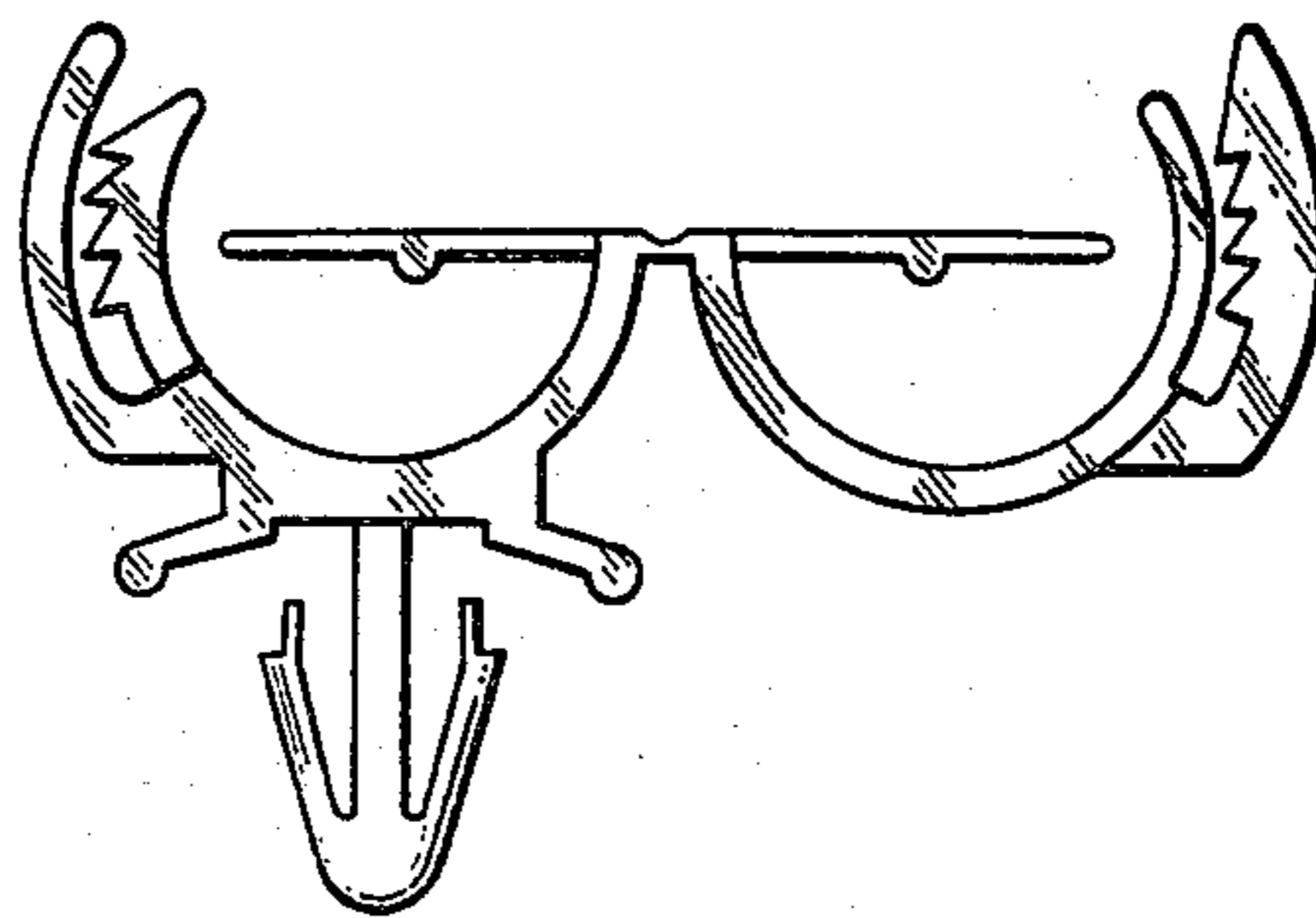


FIG. 4

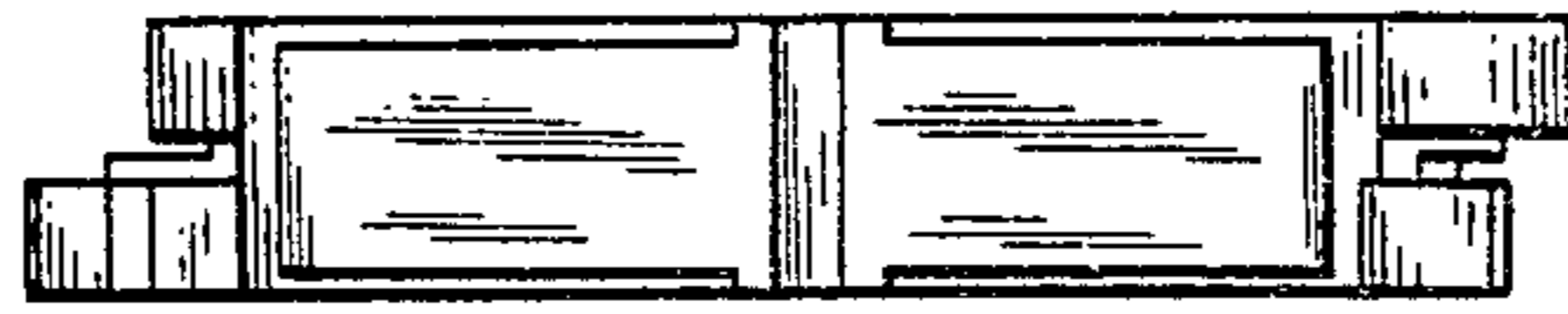


FIG. 5



FIG. 7



FIG. 6

