

[54] DOOR CLOSER  
 [75] Inventor: Takeshi Shohoji, Chiba, Japan  
 [73] Assignee: Ryobi Ltd., Fuchu, Japan  
 [\*\*] Term: 14 Years  
 [21] Appl. No.: 430,302  
 [22] Filed: Sep. 30, 1982  
 [30] Foreign Application Priority Data  
 Jul. 5, 1982 [JP] Japan ..... 57-30407  
 [52] U.S. Cl. .... D8/330  
 [58] Field of Search ..... D8/330; 16/49, 71

4,086,681 5/1978 Nakanishi ..... 16/49  
 4,115,897 9/1978 Zunkel ..... 16/49

OTHER PUBLICATIONS

Architectoril Record, Apr. 1951, p. 223; Russwin "400" Door Closer made by American Hardware Corp. 1978 Sweet's Catalog file, vol. 7, section 8:30 Closers; Norton Series 1600, 8000, 8:30/Ean; of Yab/Eat, pp. 18-20, LCN, 8:30/Lc; Parker 8:30/PA.

Primary Examiner—Wallace R. Burke  
 Assistant Examiner—Horace B. Fay  
 Attorney, Agent, or Firm—Sughrue, Mion, Zinn, Macpeak and Seas

[56] References Cited  
 U.S. PATENT DOCUMENTS

D. 94,773 3/1935 Parsons ..... D8/330  
 D. 167,177 7/1952 Schlage ..... D8/330  
 D. 241,512 9/1976 Hiraishi ..... D8/330  
 2,820,241 1/1958 Schlage ..... 16/49  
 3,252,178 5/1966 Check et al. .... 16/49  
 3,426,382 2/1969 Lazier et al. .... 16/49  
 3,902,220 9/1975 Little ..... 16/49

[57] CLAIM

The ornamental design for a door closer, as shown.

DESCRIPTION

FIG. 1 is a top, front and right side perspective view of a door closer showing my new design;  
 FIG. 2 is a front, bottom and left side perspective view thereof; and  
 FIG. 3 is a rear elevational view thereof.

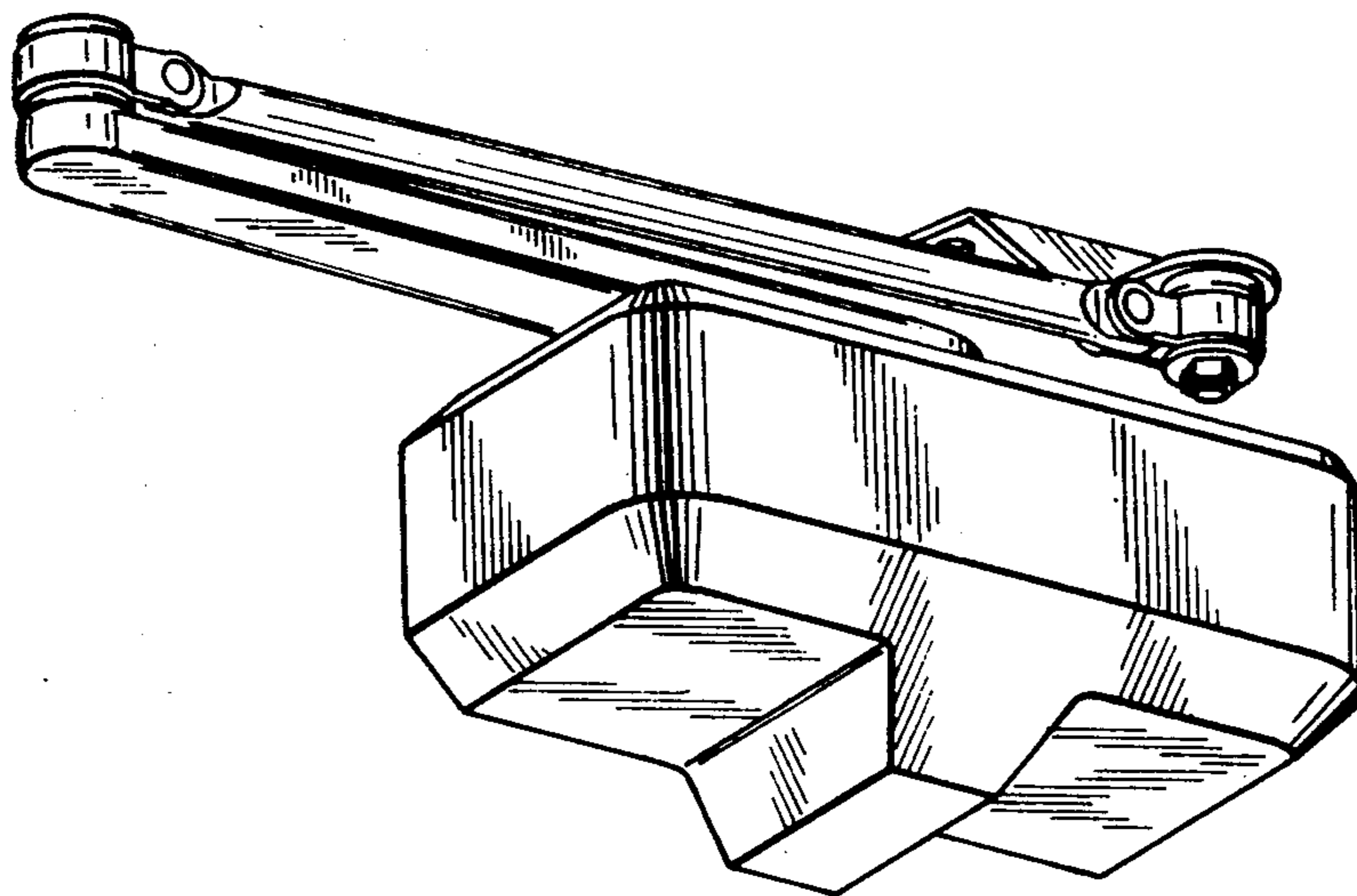


FIG. 1

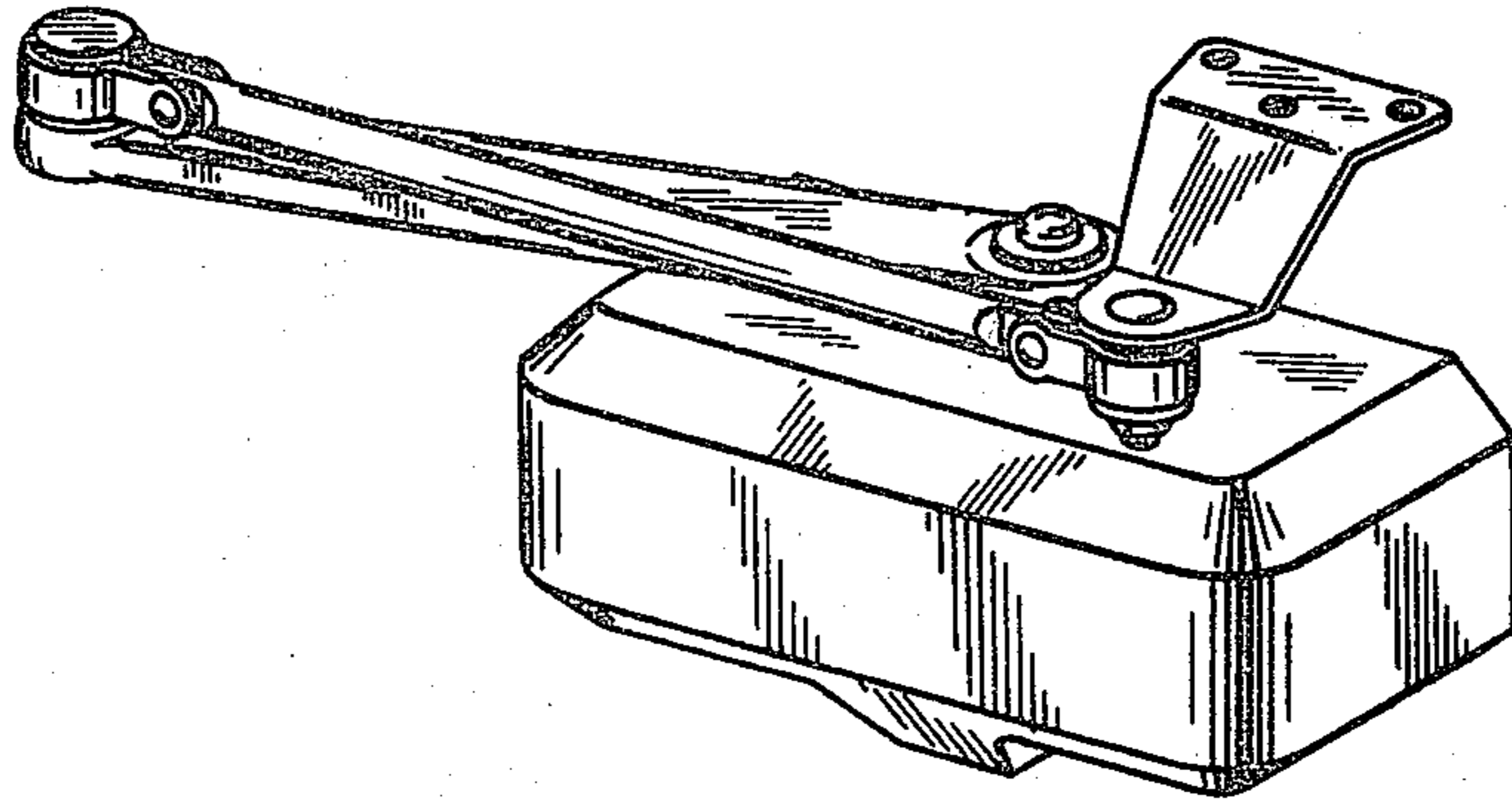


FIG. 2

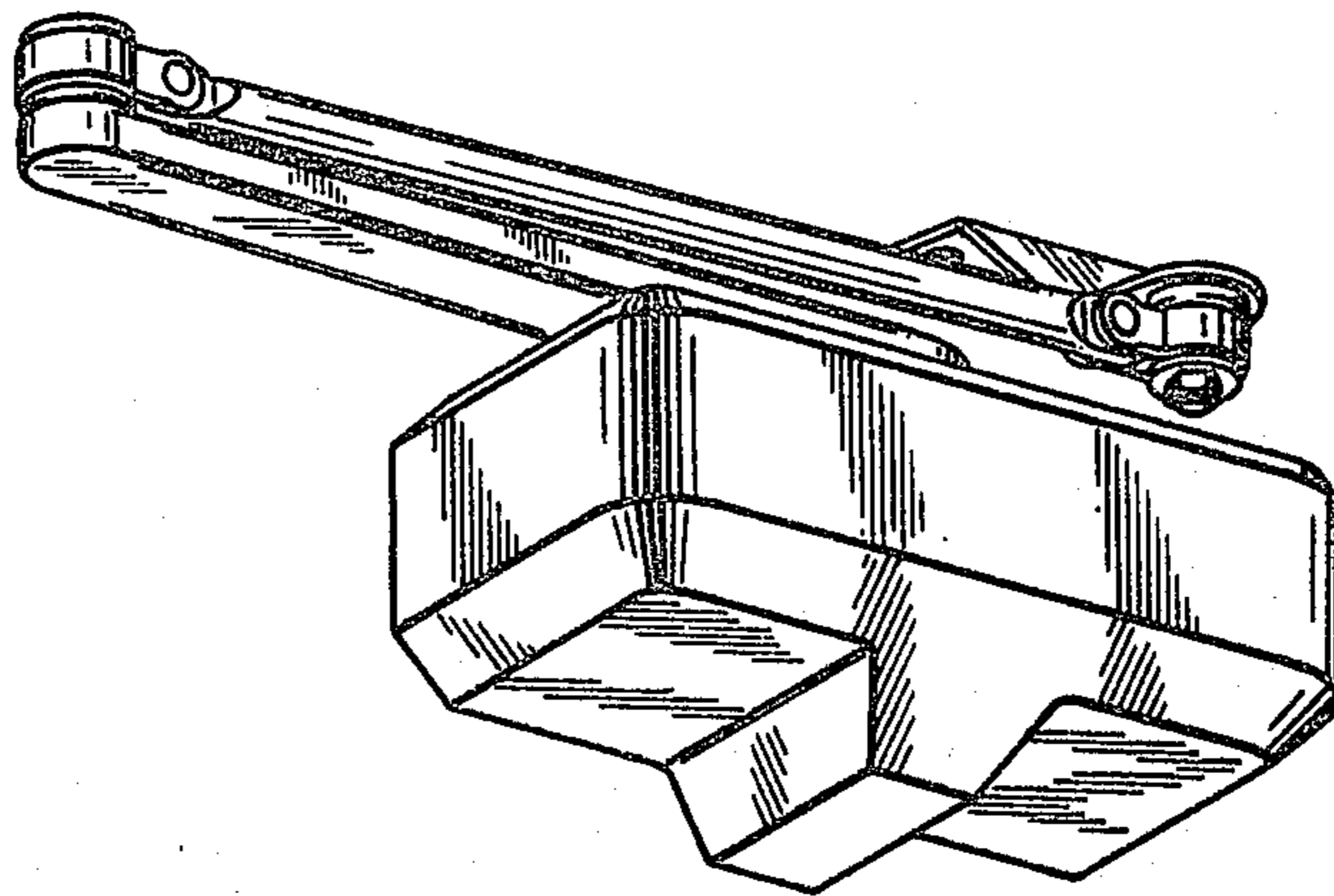


FIG. 3

