

[54] PLANT HANGER

1,797,077 3/1931 Dew et al. .... 47/39

[76] Inventor: Alexander D. Karapita, 38 Robinter Dr., Willowdale, Ontario, Canada, M2M 3R2

FOREIGN PATENT DOCUMENTS

47788 4/1966 Fed. Rep. of Germany ..... 47/39  
273434 7/1927 United Kingdom ..... D6/28

[\*\*] Term: 14 Years

Primary Examiner—B. J. Bullock

[21] Appl. No.: 358,693

[57] CLAIM

[22] Filed: Mar. 16, 1982

The ornamental design for a plant hanger, as shown and described.

[30] Foreign Application Priority Data

DESCRIPTION

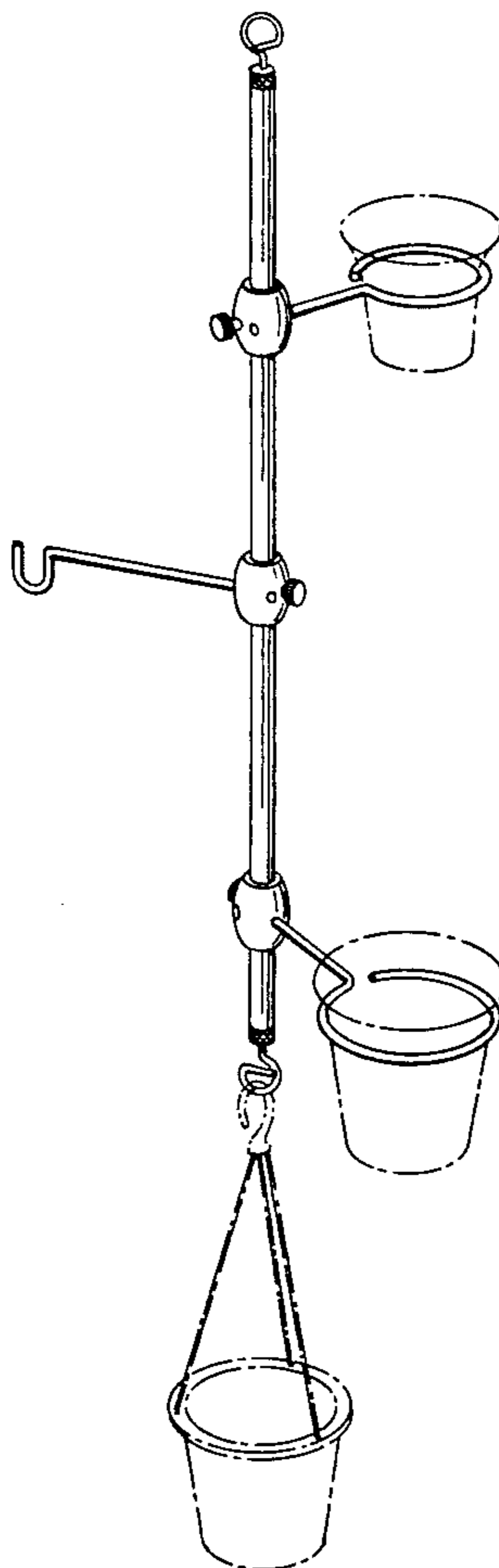
Oct. 1, 1981 [CA] Canada ..... 01-10-81-19  
[52] U.S. Cl. .... D6/28; D6/113; D6/137  
[58] Field of Search ..... D6/20, 23, 24, 28, 113, D6/137, 182, 183, 93, 114; 47/39, 67; 211/113, 119; 248/318; D8/370

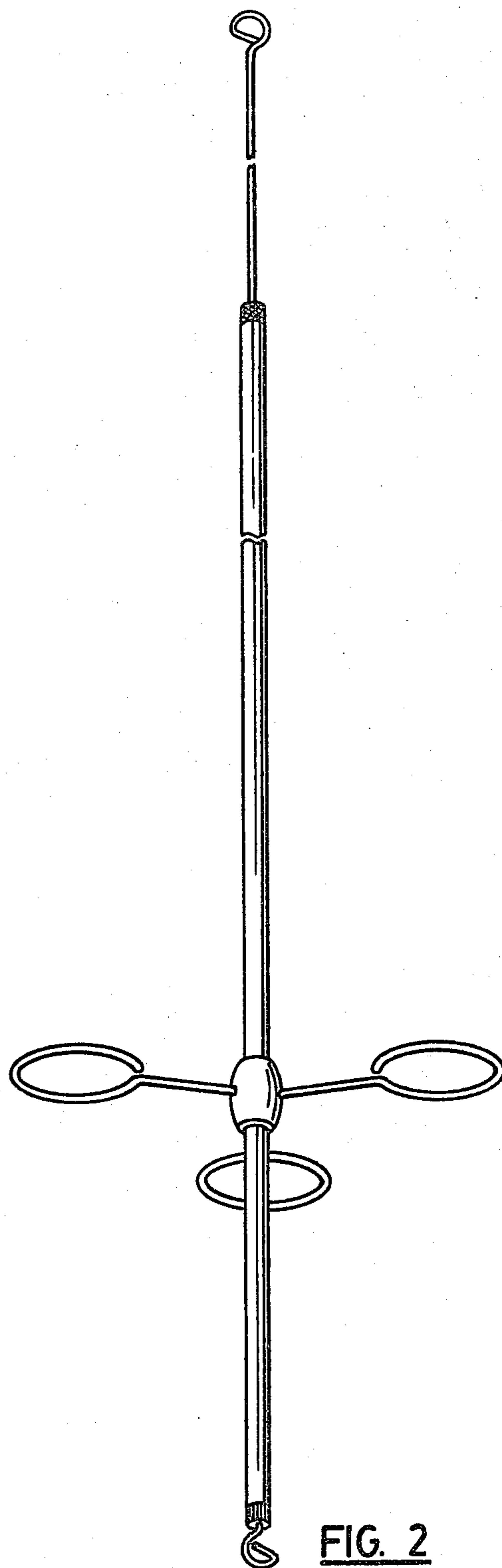
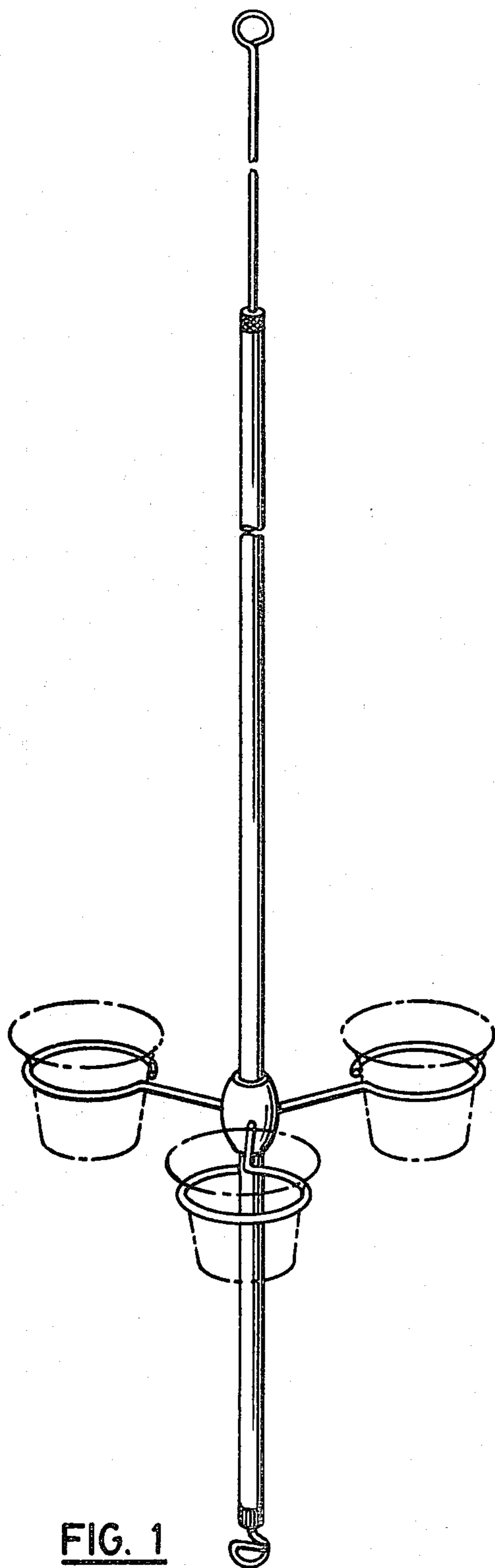
FIG. 1 is a top perspective view of a plant hanger showing my new design, shown broken away to indicate indeterminate length;  
FIG. 2 is a bottom perspective view thereof;  
FIG. 3 is a top perspective view of a second embodiment of the design of FIG. 1;  
FIG. 4 is a bottom perspective view of FIG. 3;  
FIG. 5 is a top perspective view of a third embodiment of the design of FIG. 1;  
FIG. 6 is a bottom perspective view of FIG. 5;  
FIG. 7 is a top perspective view of a fourth embodiment of the design of FIG. 1;  
FIG. 8 is a bottom perspective view of FIG. 7.  
The broken lines in FIGS. 1, 3, 5 and 7 are for illustrative purposes only.

[56] References Cited

U.S. PATENT DOCUMENTS

D. 56,476 10/1920 Reynolds ..... D6/20  
D. 57,989 5/1921 Mosgrove ..... D6/93  
D. 156,600 12/1949 Brown ..... D8/370  
D. 156,976 1/1950 Lawrence ..... D6/114  
D. 186,833 12/1959 Nadel ..... D6/114  
D. 195,412 6/1963 Vernik ..... D6/20





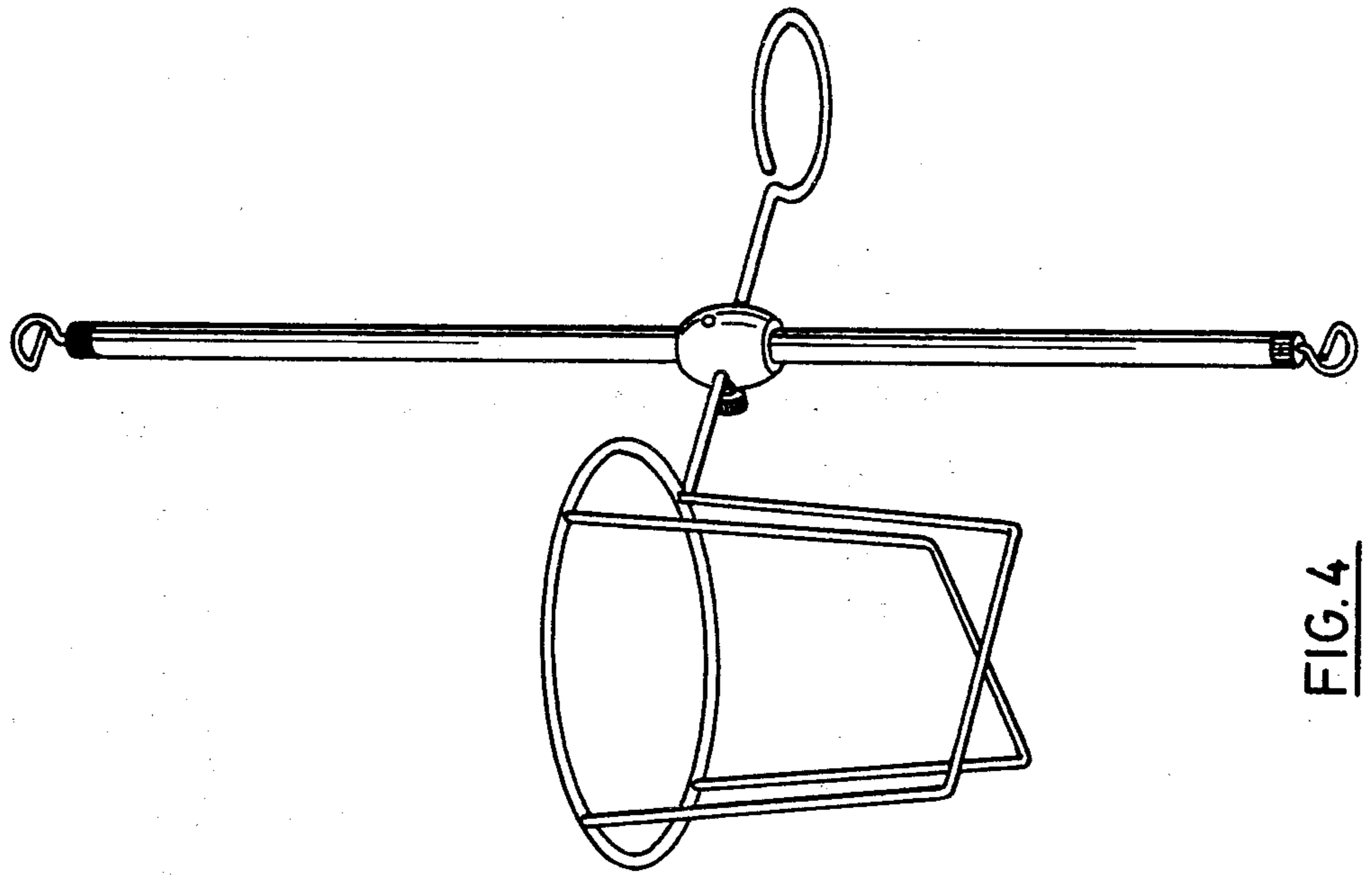


FIG. 4

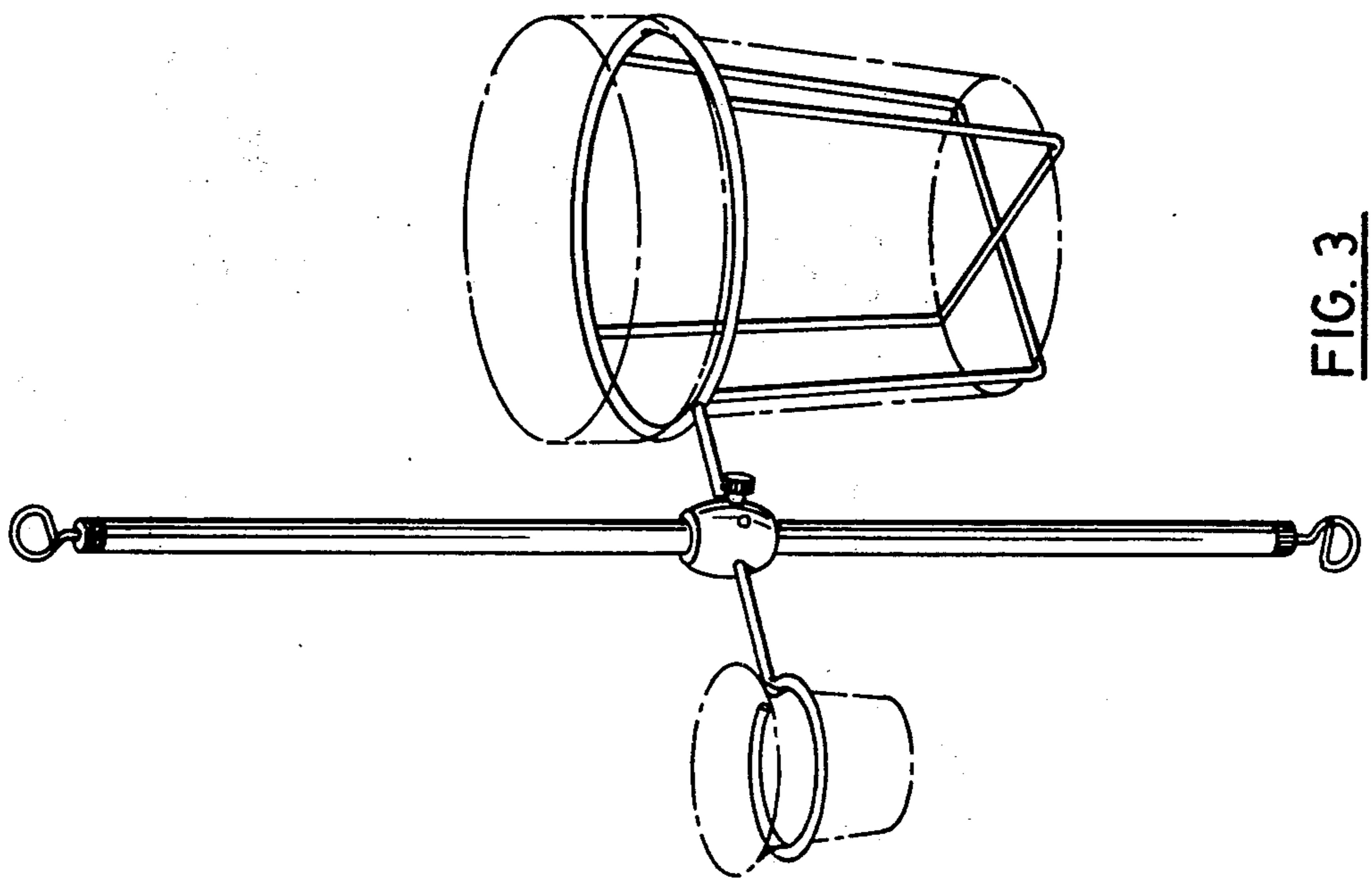


FIG. 3

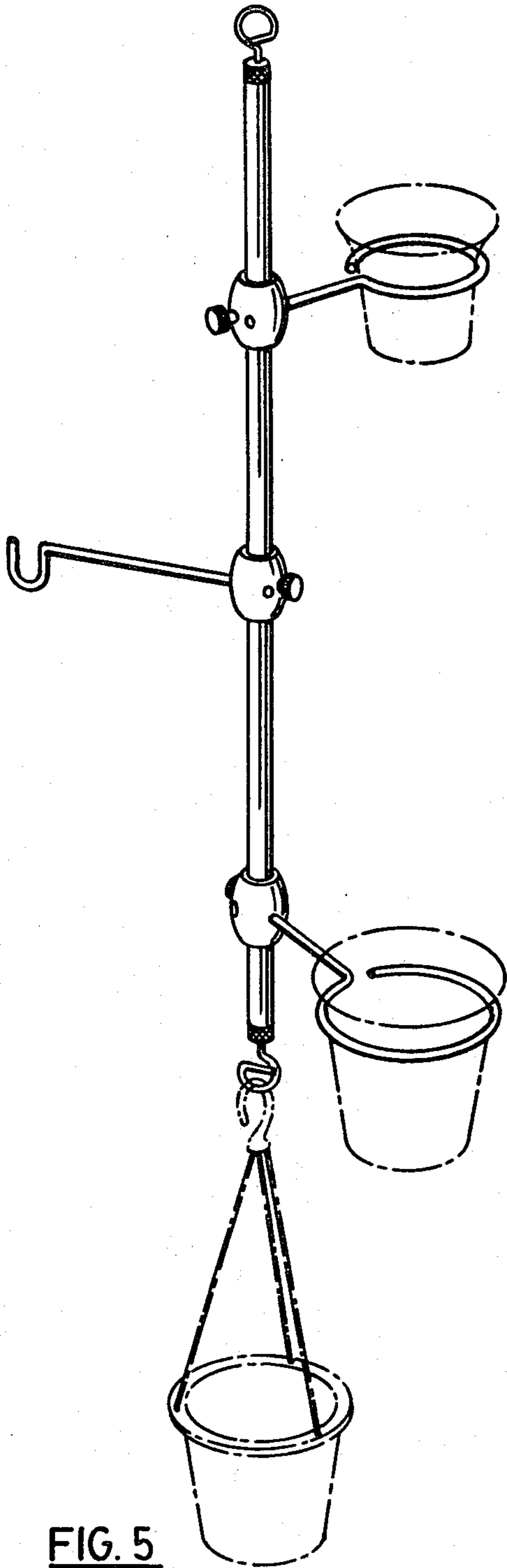


FIG. 5

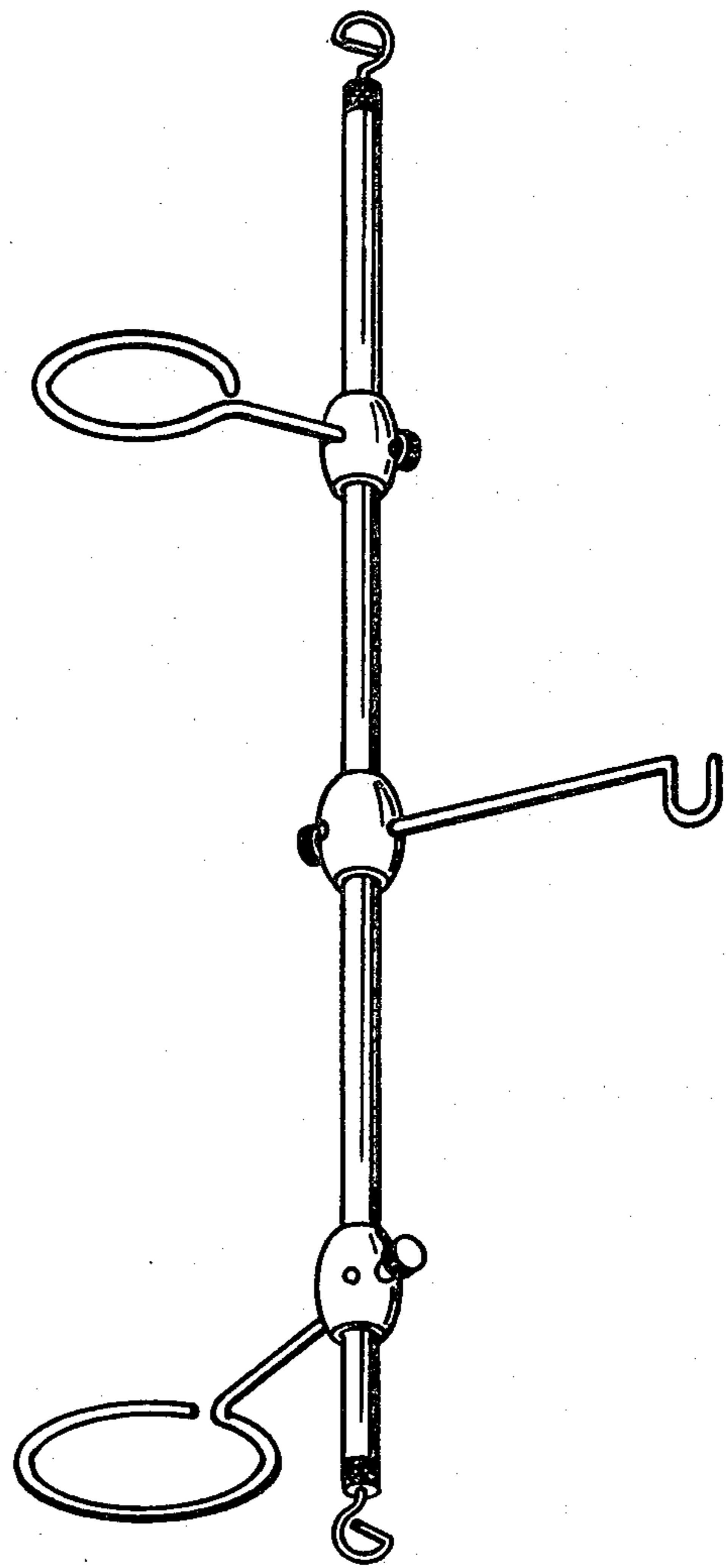


FIG. 6

