

[54] BATH ACCESSORY

[76] Inventor: Willard Aaron, 616 Skokie La. South, Glencoe, Ill. 60022

[\*\*] Term: 14 Years

[21] Appl. No.: 430,272

[22] Filed: Sep. 30, 1982

[52] U.S. Cl. .... D6/86

[58] Field of Search ..... D6/86, 90, 91, 99, 102, D6/103, 189, 132, 133, 135; D28/73, 77; 211/13, 16, 60 R, 71, 75, 87, 89, 90, 126, 153; 206/581; 108/25, 27-29, 30, 42, 50, 59, 152

[56] References Cited

U.S. PATENT DOCUMENTS

D. 188,332 7/1960 Salen ..... D6/133  
D. 233,639 11/1974 Wooters ..... D6/86

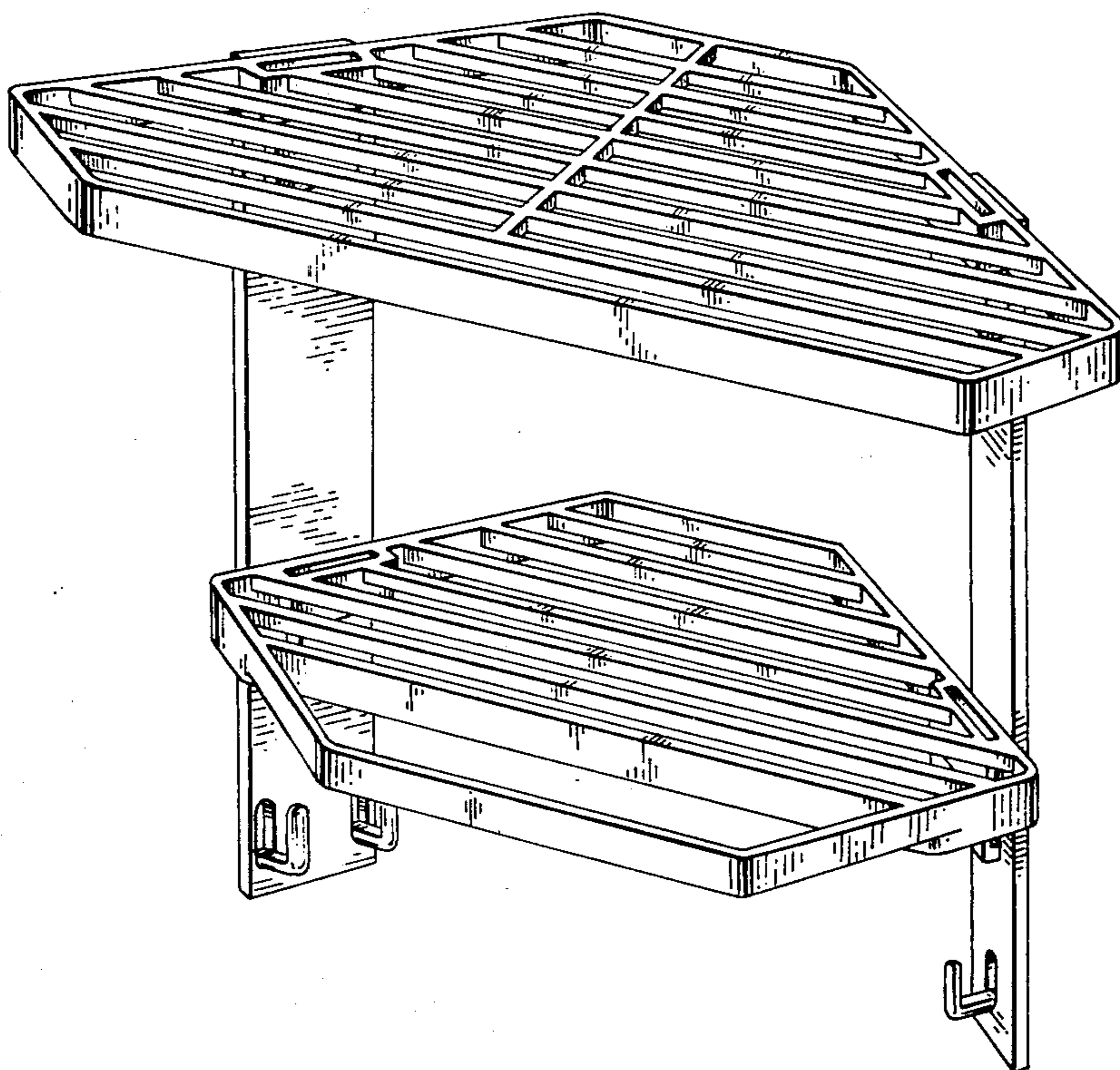
Primary Examiner—Wallace R. Burke  
Assistant Examiner—Suzanne N. Gitlin  
Attorney, Agent, or Firm—Brezina & Buckingham

[57] CLAIM

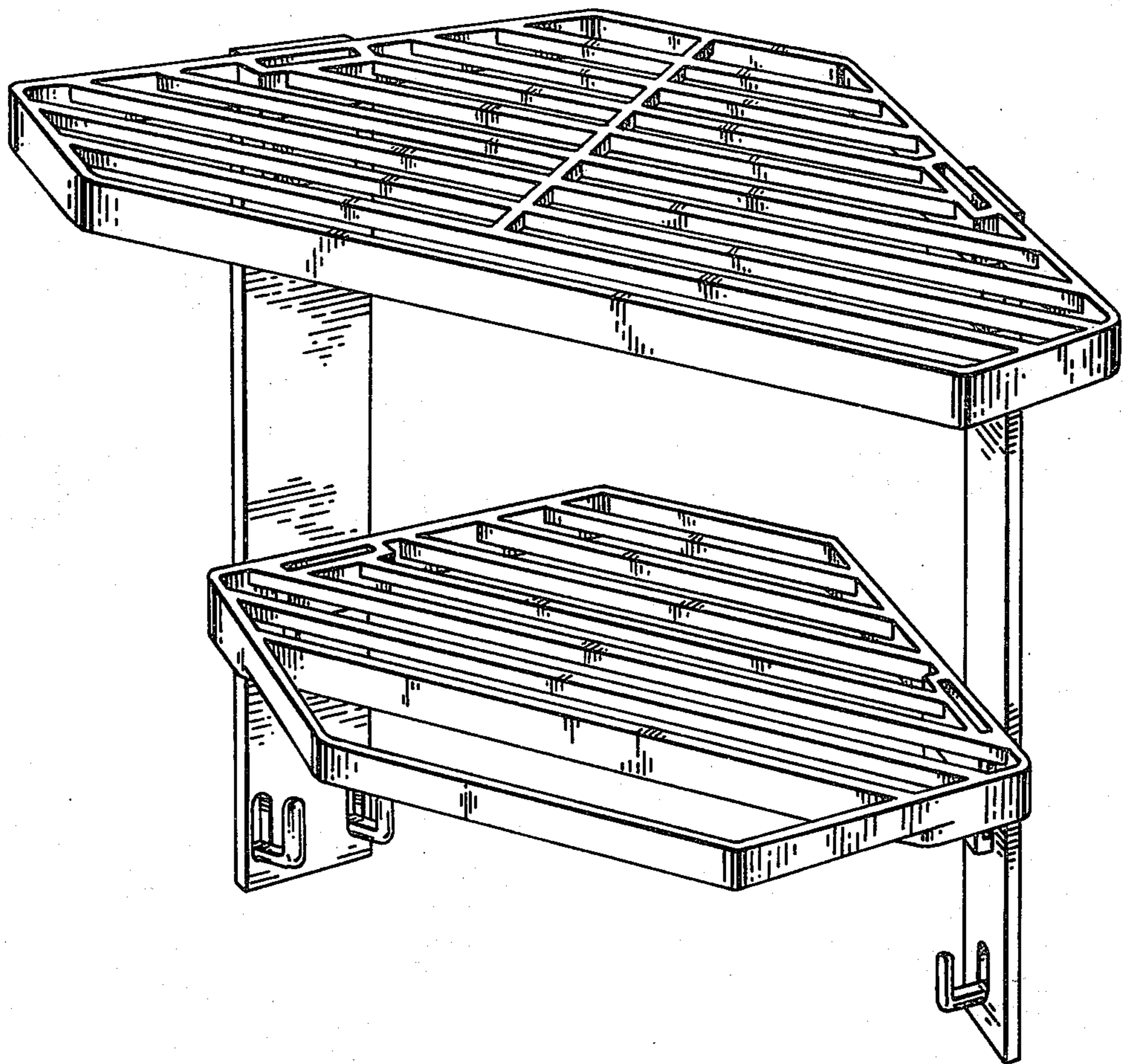
The ornamental design for a bath accessory, substantially as shown.

DESCRIPTION

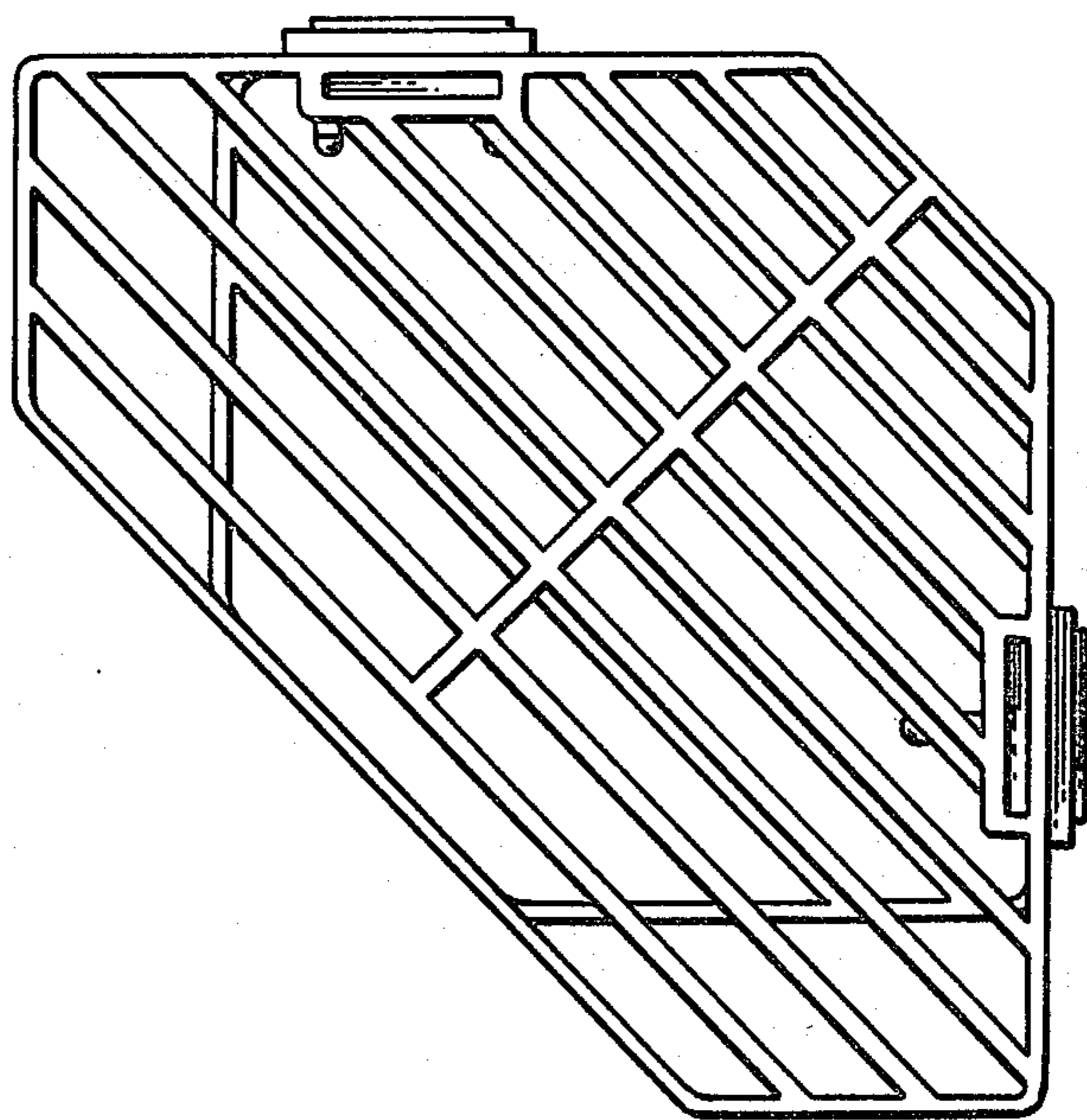
FIG. 1 is a front perspective view of a bath accessory embodying my new design;  
FIG. 2 is a top plan view thereof;  
FIG. 3 is a front elevational view thereof;  
FIG. 4 is a left side elevational view thereof.



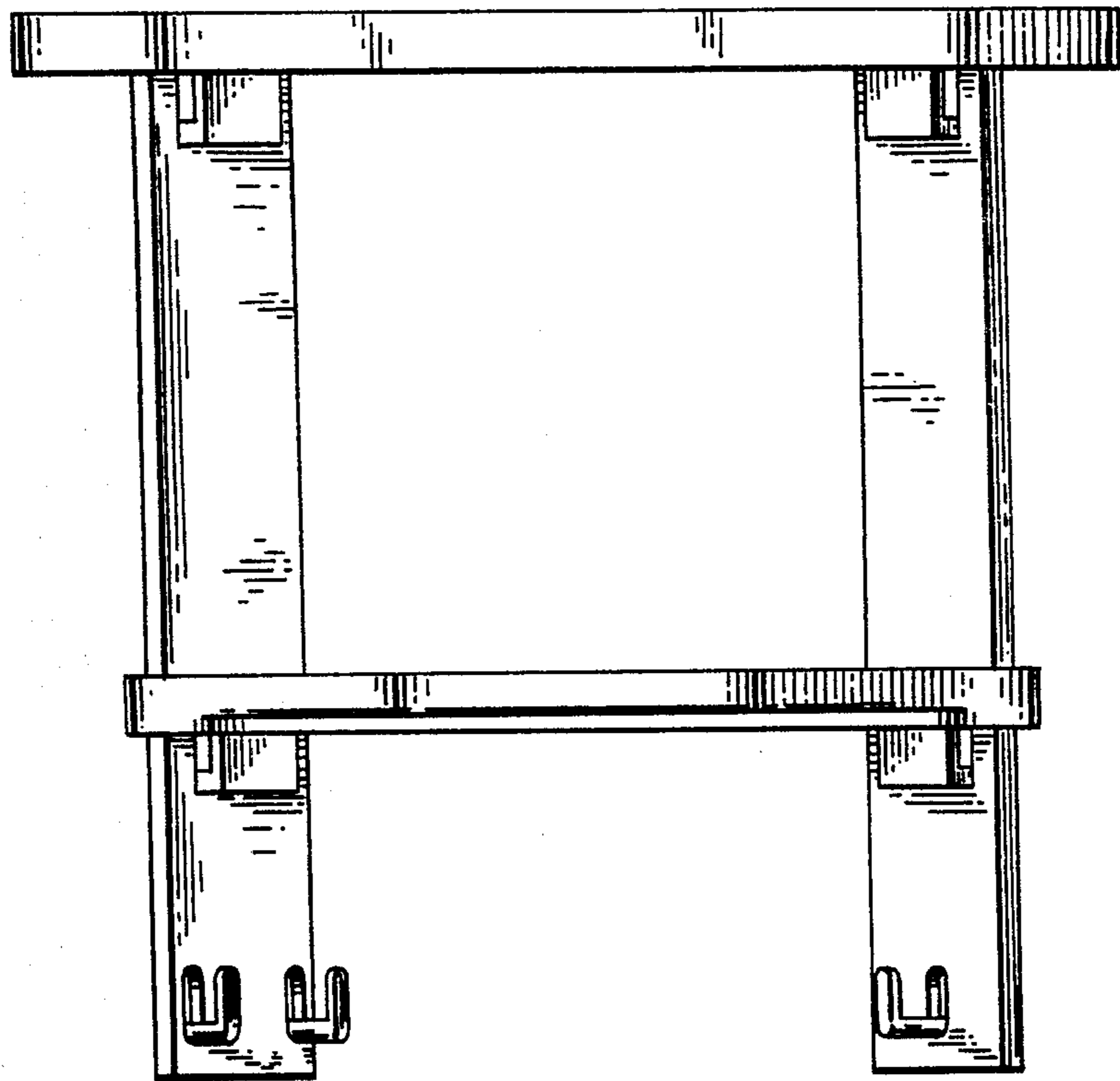
**FIG. 1**



**FIG. 2**



**FIG. 3**



**FIG. 4**

