

[54] STAND FOR HANGING POTTED PLANTS

[76] Inventor: Robert E. Olson, P.O. Box 17095, San Antonio, Tex. 78217

[**] Term: 14 Years

[21] Appl. No.: 367,156

[22] Filed: Apr. 12, 1982

[52] U.S. Cl. D6/28; D6/137; D6/182

[58] Field of Search D6/20, 23, 24, 28, 182, D6/183, 113; 211/74, 75; 47/39

[56] References Cited

U.S. PATENT DOCUMENTS

D. 74,352	2/1928	Burns	D6/28
D. 232,280	8/1974	Bingham	D6/28
D. 242,884	1/1977	Diaz	D6/20
D. 249,765	10/1978	Wilson	D6/137
D. 257,810	1/1981	Wilson	D6/137

D. 257,928	1/1981	Lozano	D6/113
2,823,004	2/1958	Melloh	D6/137
3,104,013	9/1963	Fisk	D6/28

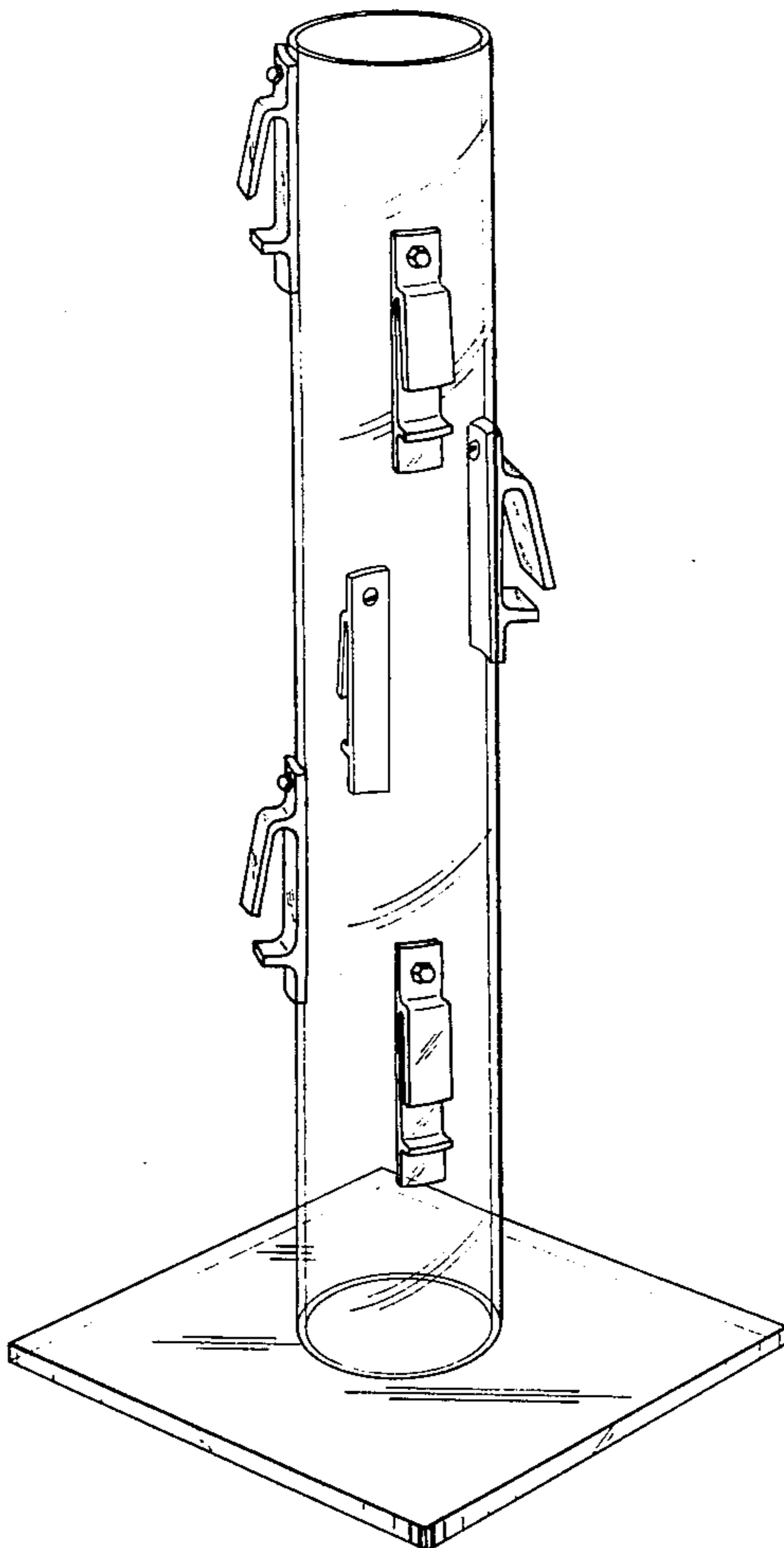
Primary Examiner—B. J. Bullock

[57] CLAIM

The ornamental design for a stand for hanging potted plants, as shown and described.

DESCRIPTION

FIG. 1 is a top plan view of a stand for hanging potted plants showing my new design;
 FIG. 2 is a front elevational view thereof;
 FIG. 3 is a side elevational view taken from the right of FIG. 2;
 FIG. 4 is a rear elevational view thereof;
 FIG. 5 is a side elevational view taken from the left of FIG. 2;
 FIG. 6 is a bottom plan view thereof;
 FIG. 7 is a perspective view thereof.



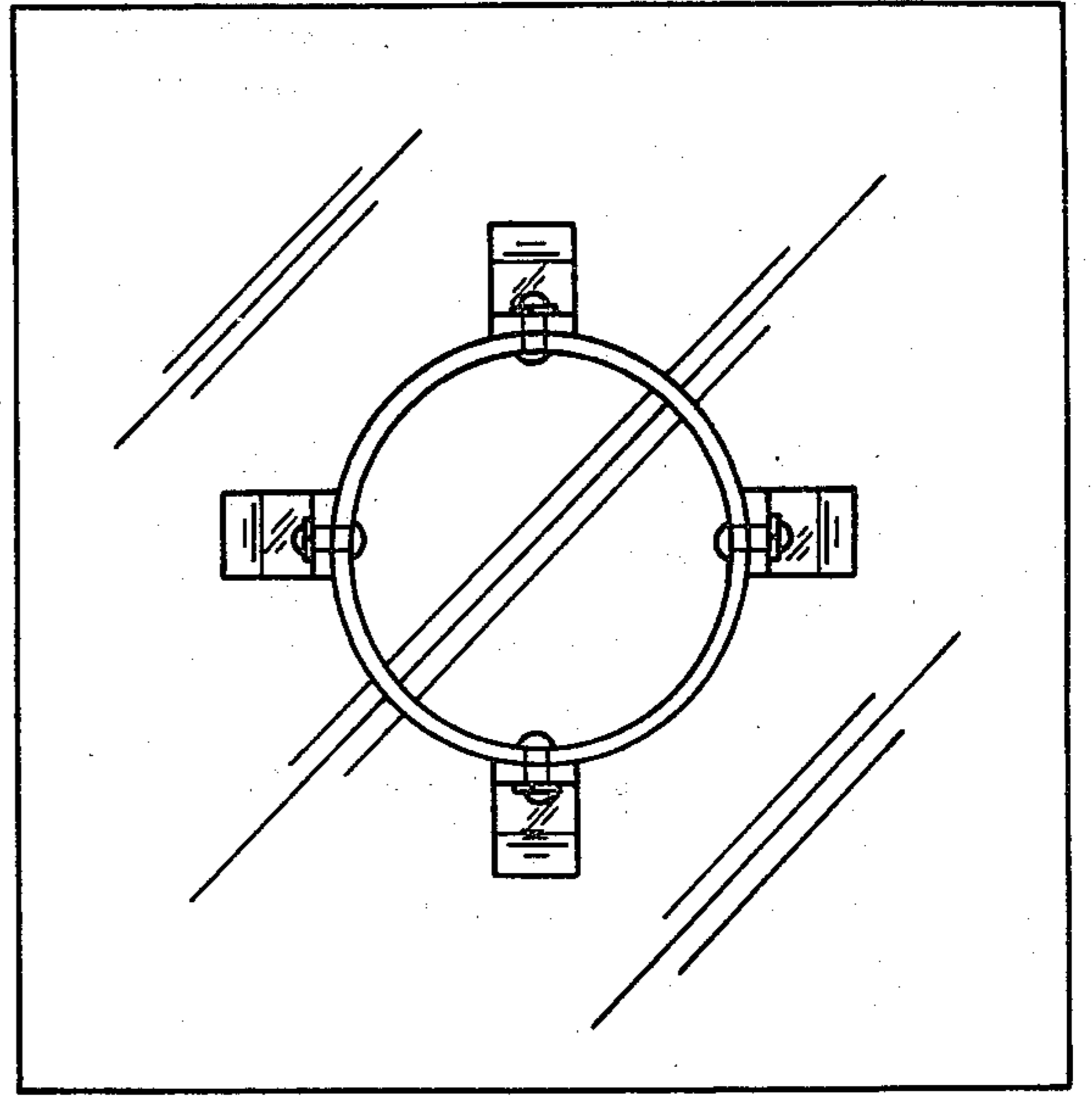


FIG. 1

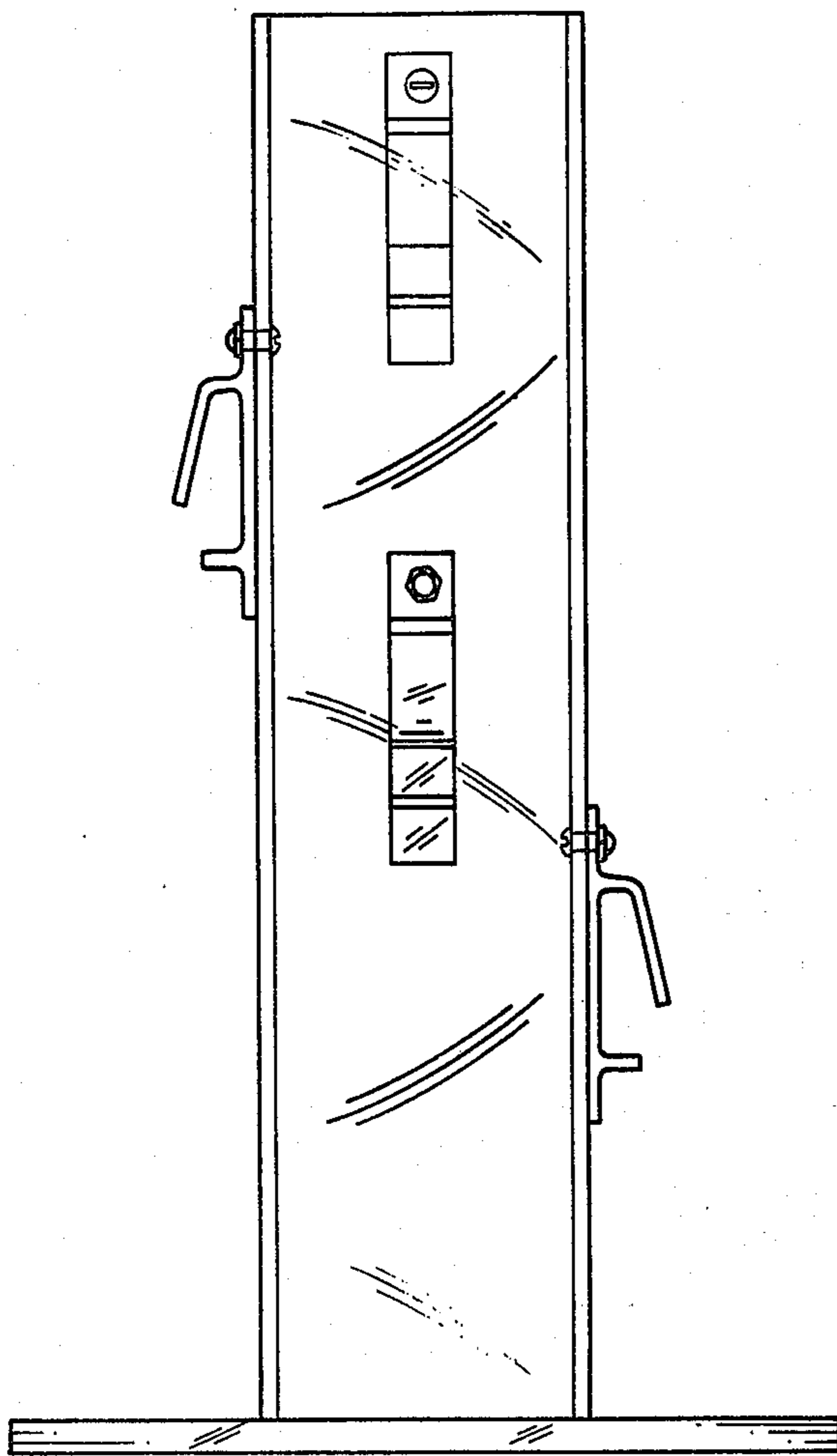


FIG. 2

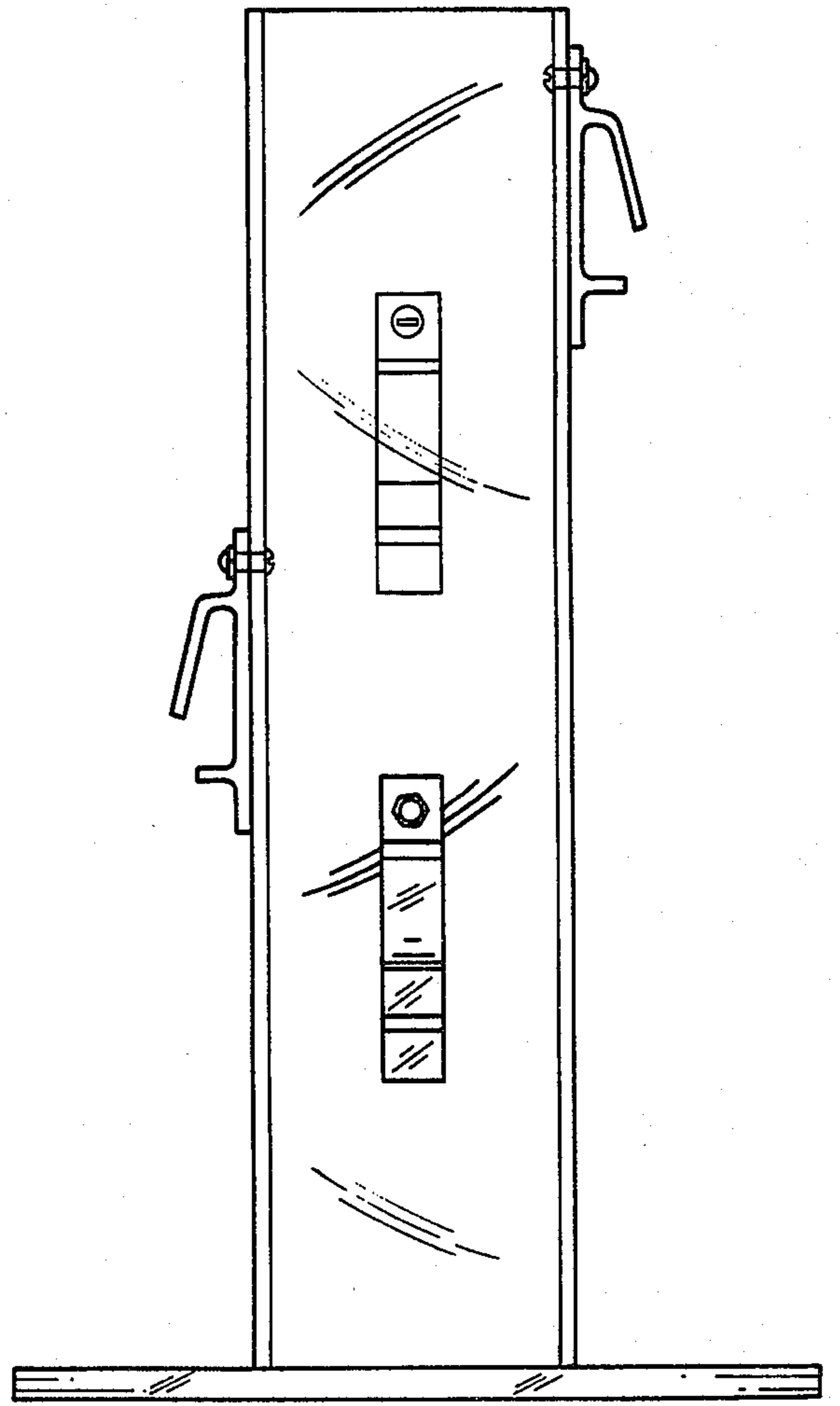


FIG. 3

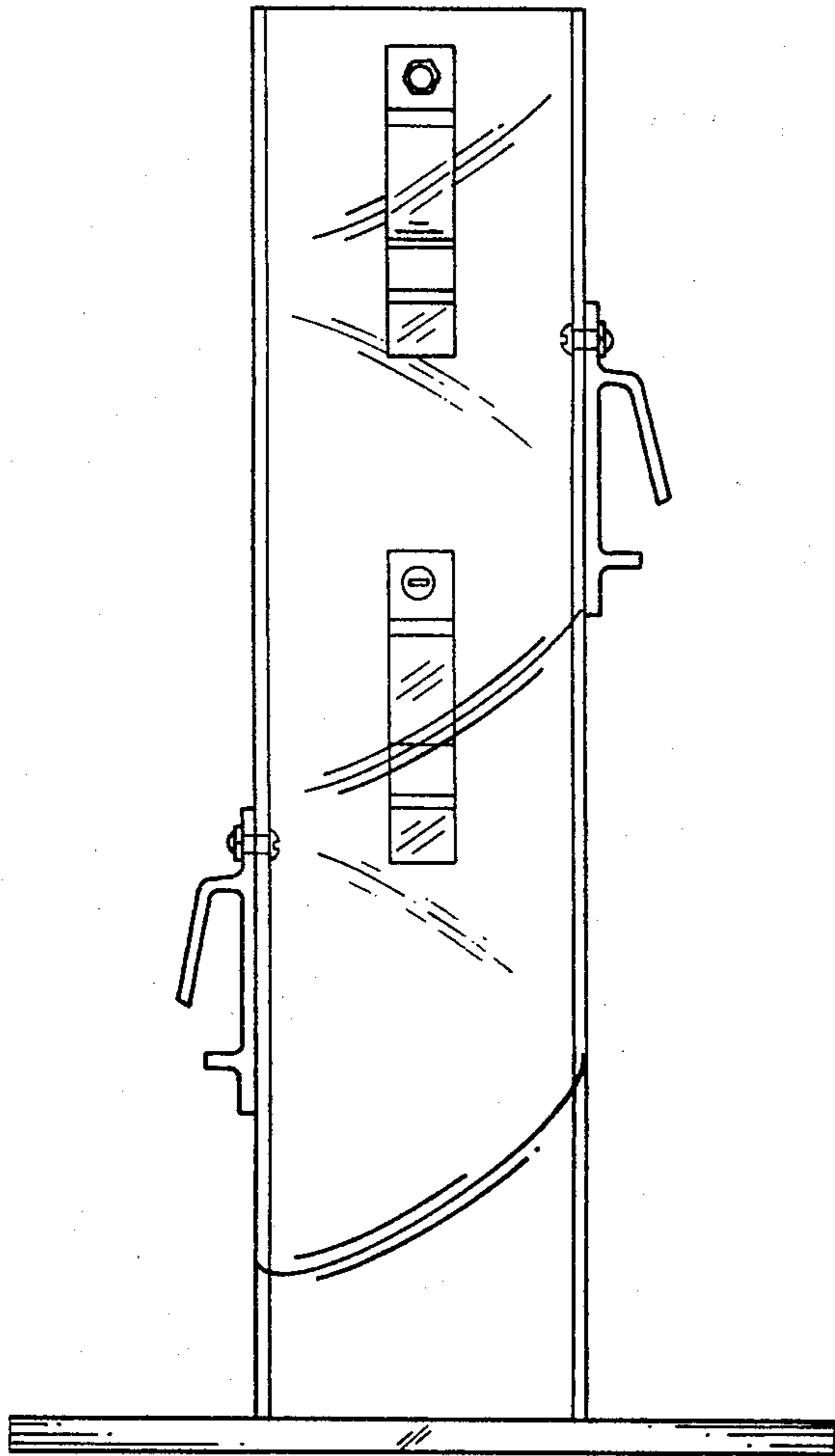


FIG. 4

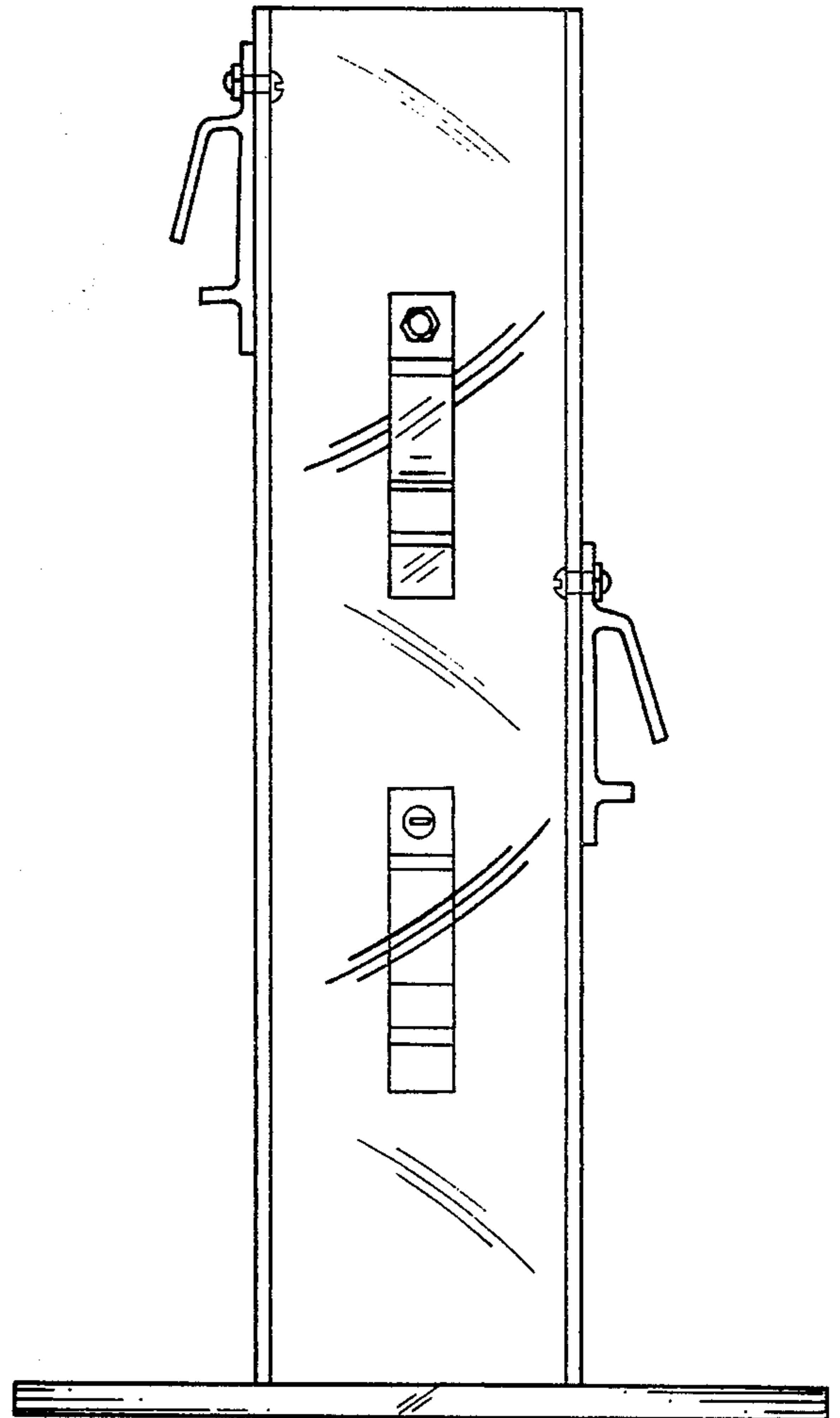


FIG. 5

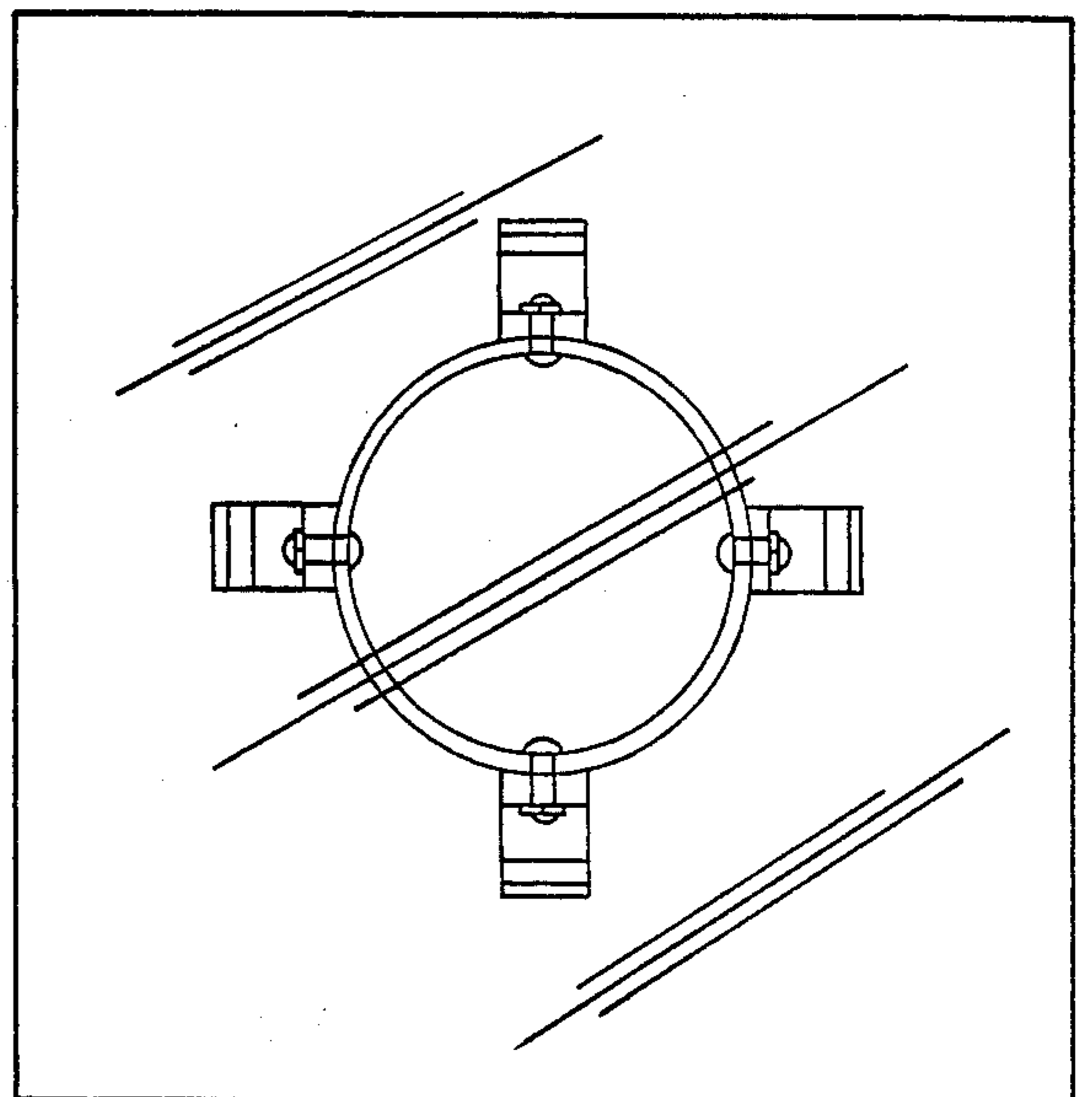


FIG. 6

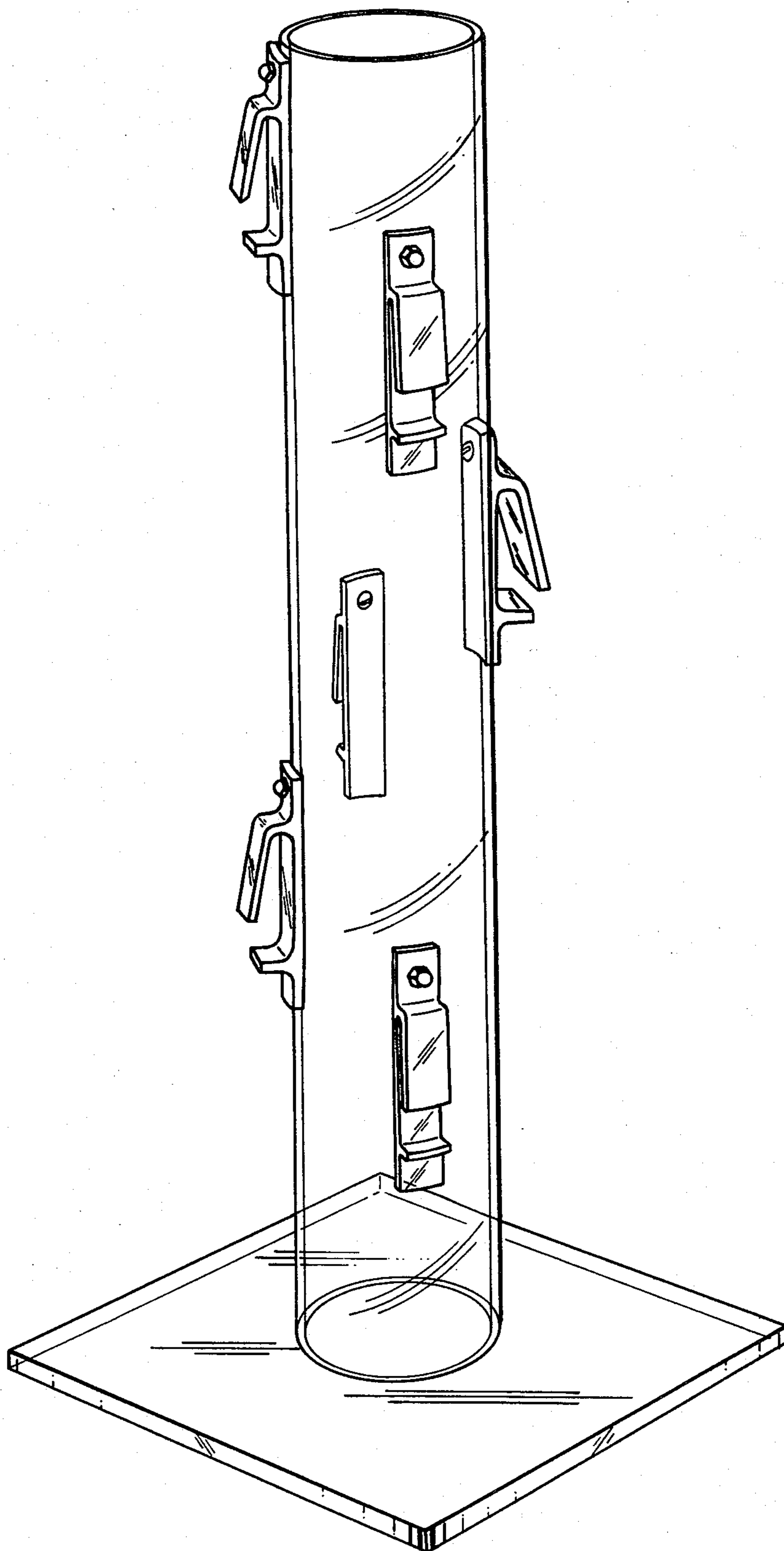


FIG. 7