

[54] **PORTABLE RADIO RECEIVER**
 [75] Inventor: **Mario Matkovich, Clayton, Australia**
 [73] Assignee: **U.S. Philips Corporation, New York, N.Y.**
 [**] Term: **14 Years**
 [21] Appl. No.: **306,124**
 [22] Filed: **Sep. 28, 1981**

[30] **Foreign Application Priority Data**
 Apr. 6, 1981 [GB] United Kingdom 999.816
 [52] U.S. Cl. **D14/71; D14/70**
 [58] Field of Search **D14/1, 5, 6, 68, 70''73, D14/75, 76; D10/2, 15**

[56] **References Cited**
U.S. PATENT DOCUMENTS
 D. 191,540 10/1961 Sampson D14/73

D. 219,481 12/1970 Felli D14/72
 D. 251,429 3/1979 Makino et al. D14/75
 D. 264,718 6/1982 Hoshino D14/70
 D. 266,166 9/1982 Hamada D14/70

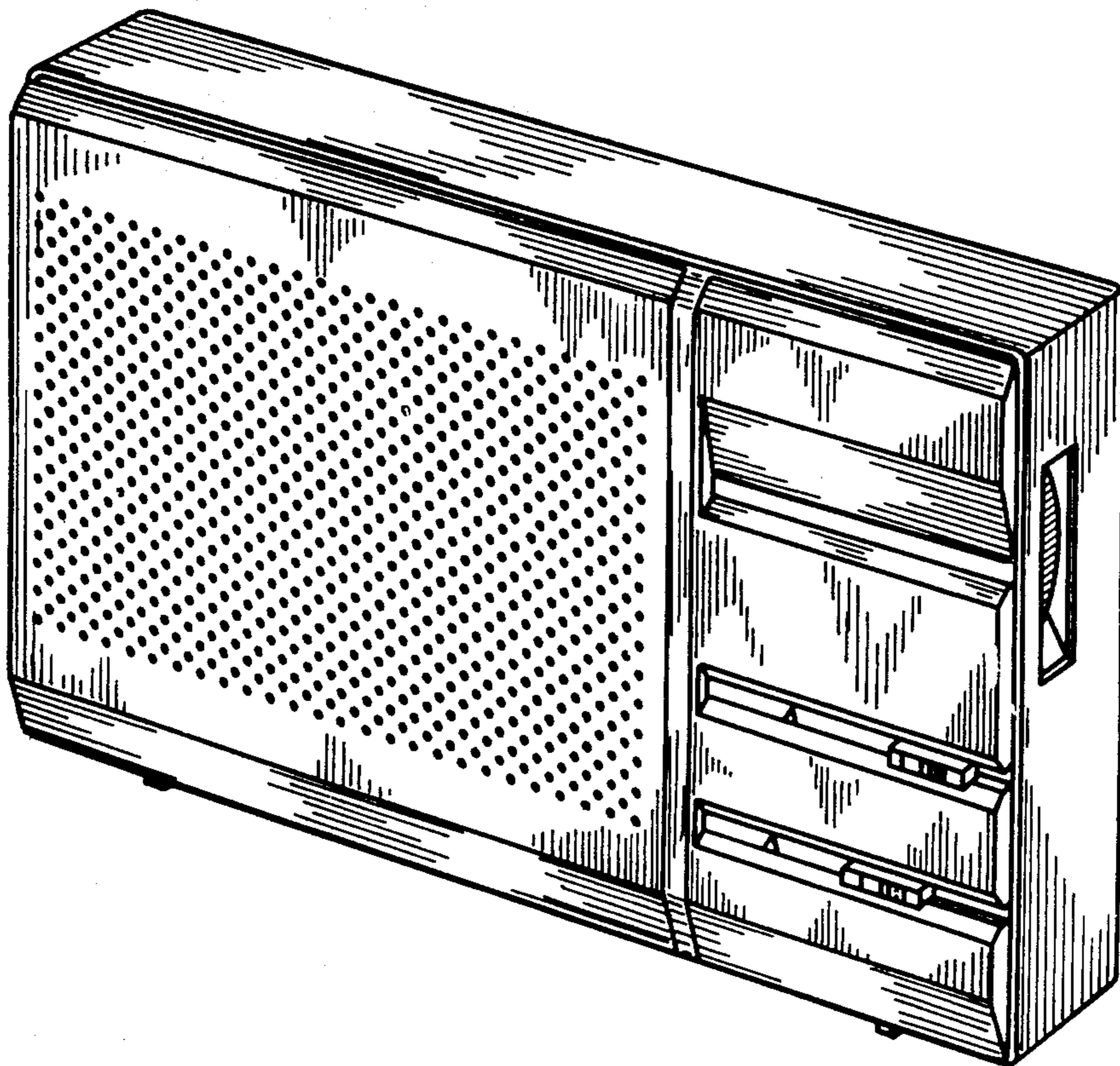
Primary Examiner—Jane E. Corrigan
Attorney, Agent, or Firm—Rolf E. Schneider

[57] **CLAIM**

The ornamental design for a portable radio receiver, as shown.

DESCRIPTION

FIG. 1 is a front, top and right side perspective view of a portable radio receiver showing my new design;
 FIG. 2 is a front elevational view thereof;
 FIG. 3 is a rear elevational view thereof;
 FIG. 4 is a left side elevational view thereof;
 FIG. 5 is a right side elevational view thereof;
 FIG. 6 is a top plan view thereof; and
 FIG. 7 is a bottom plan view thereof.



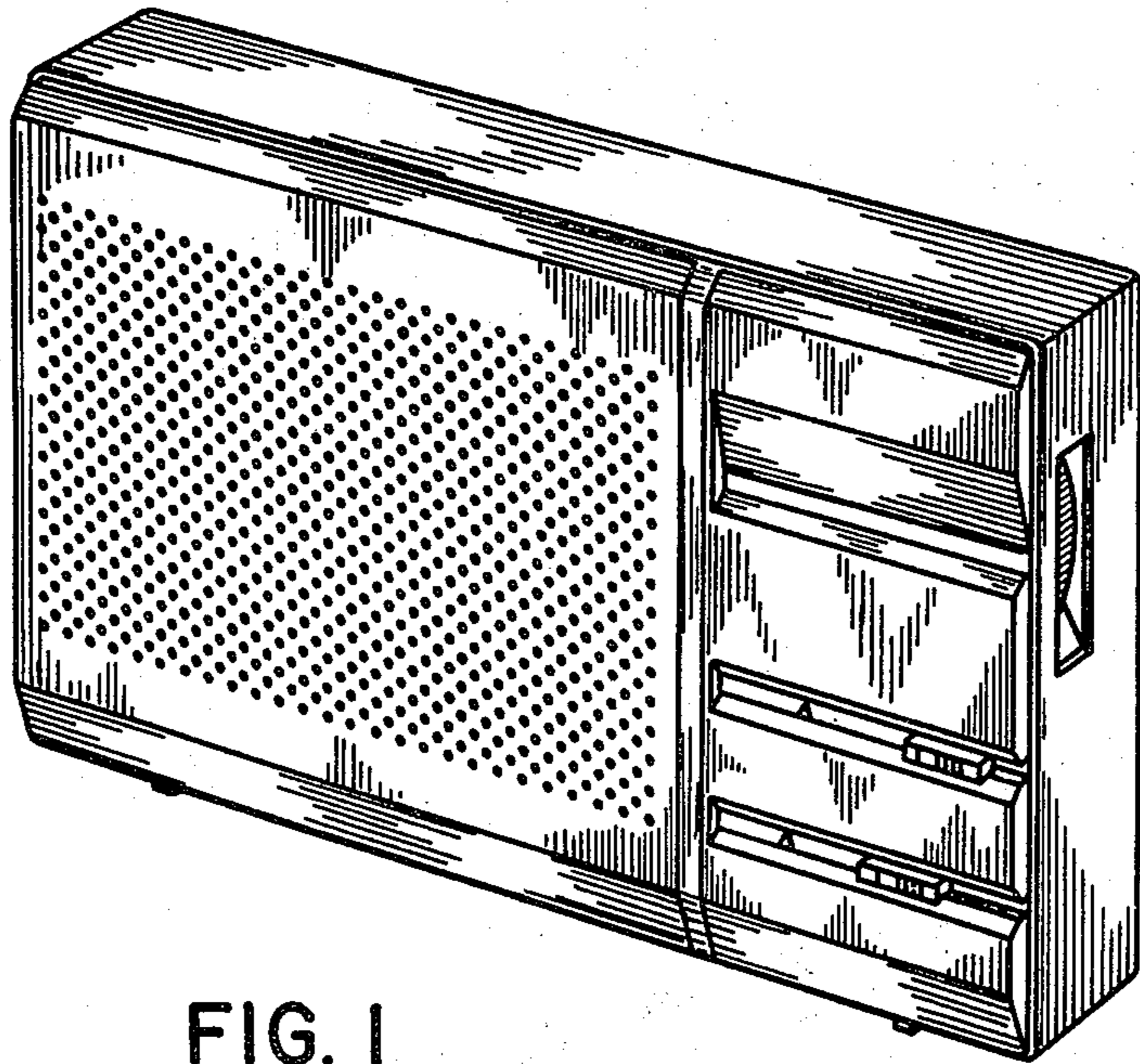


FIG. 1

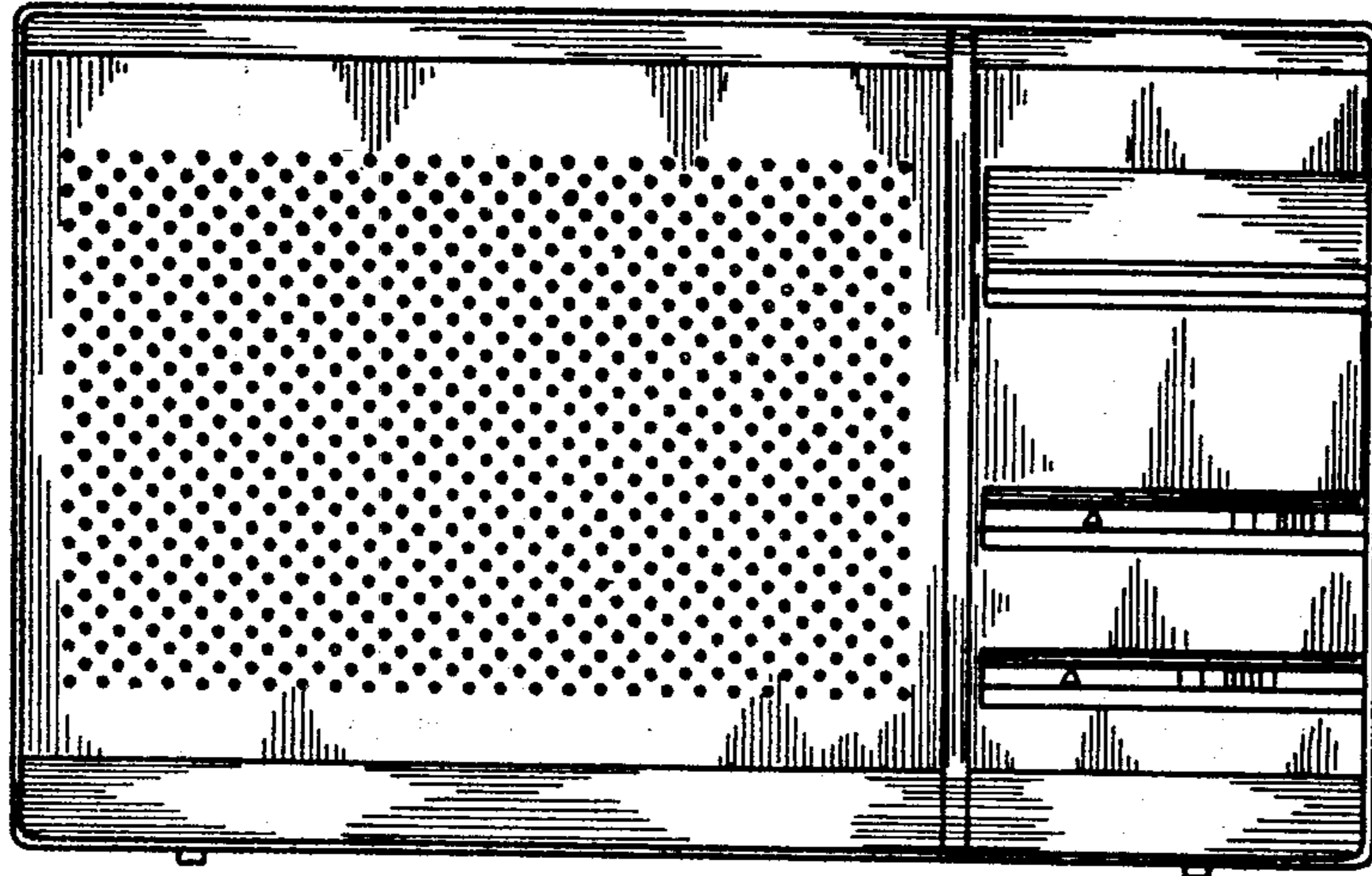


FIG. 2

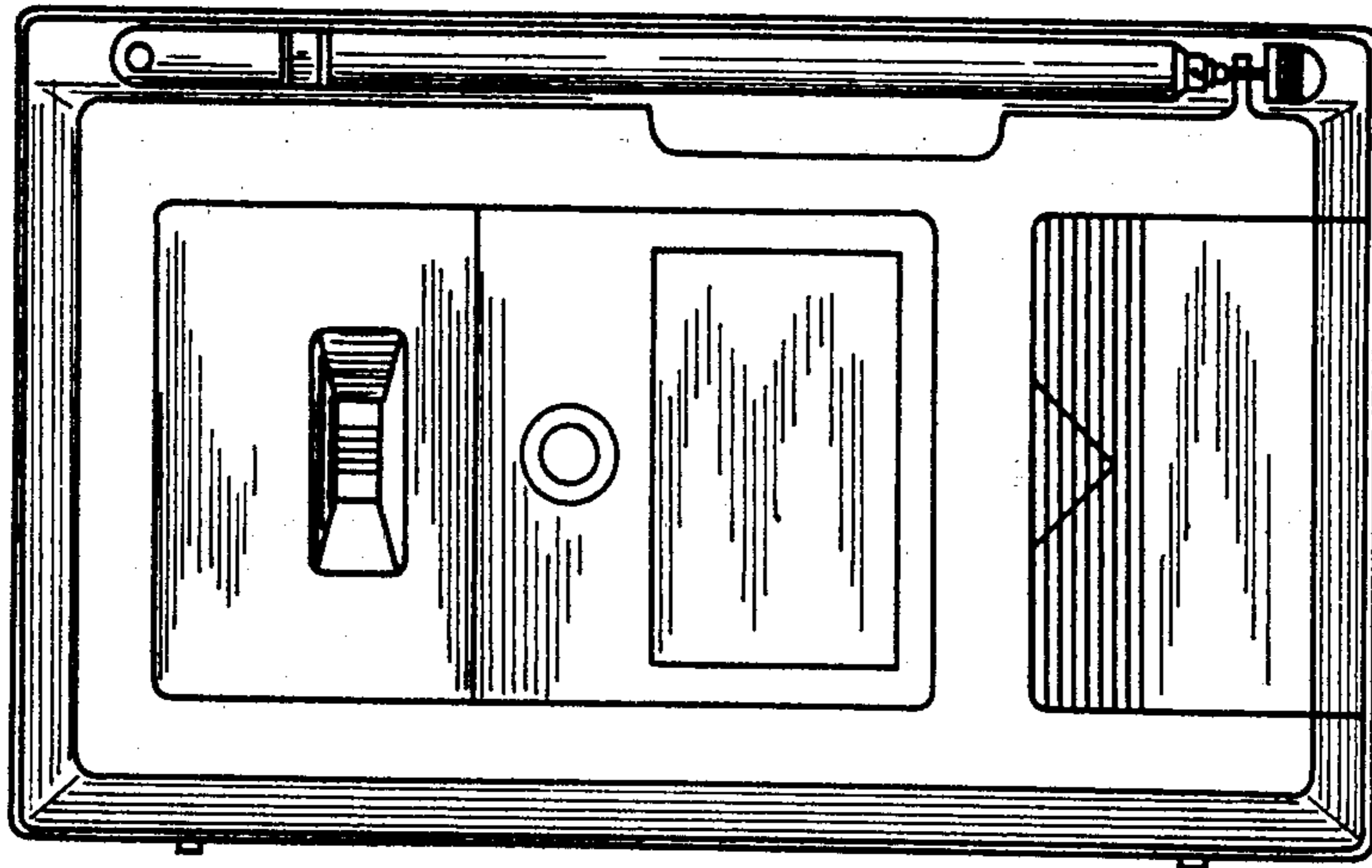


FIG. 3

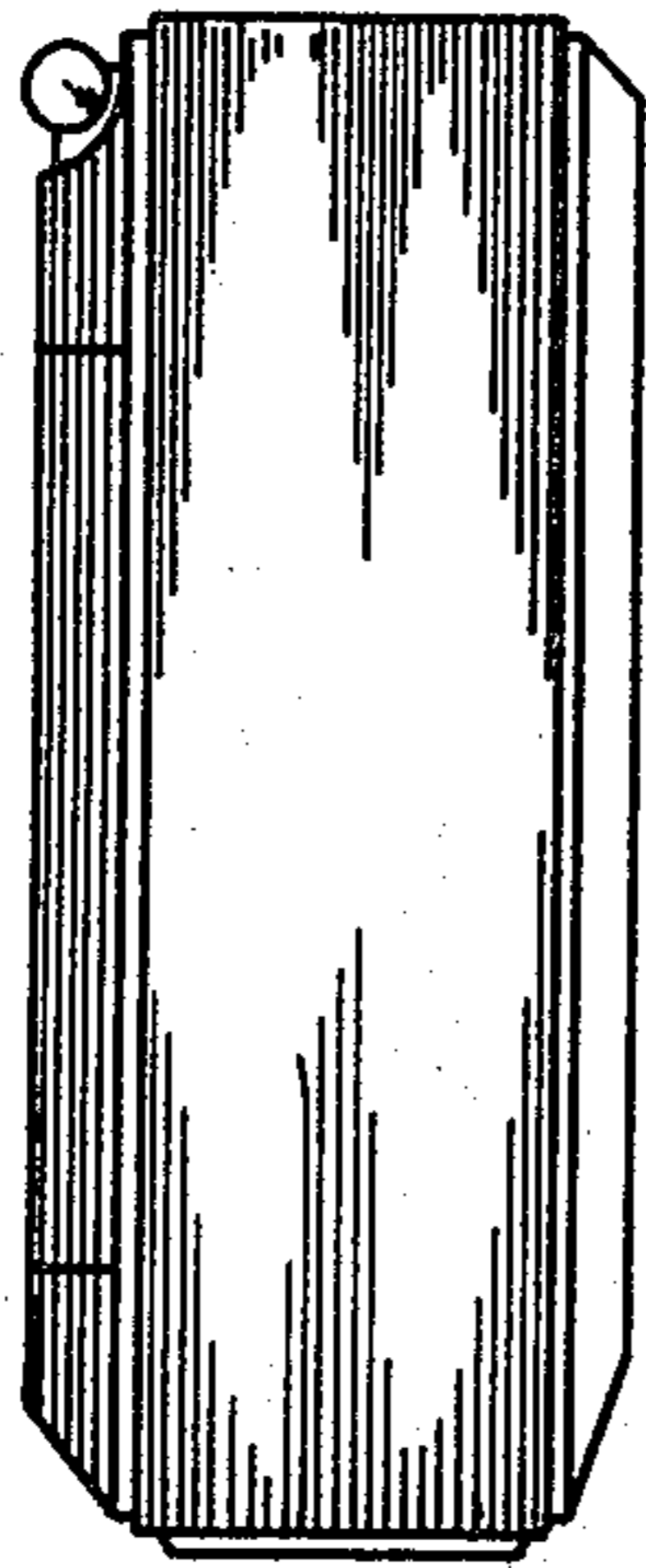


FIG. 4

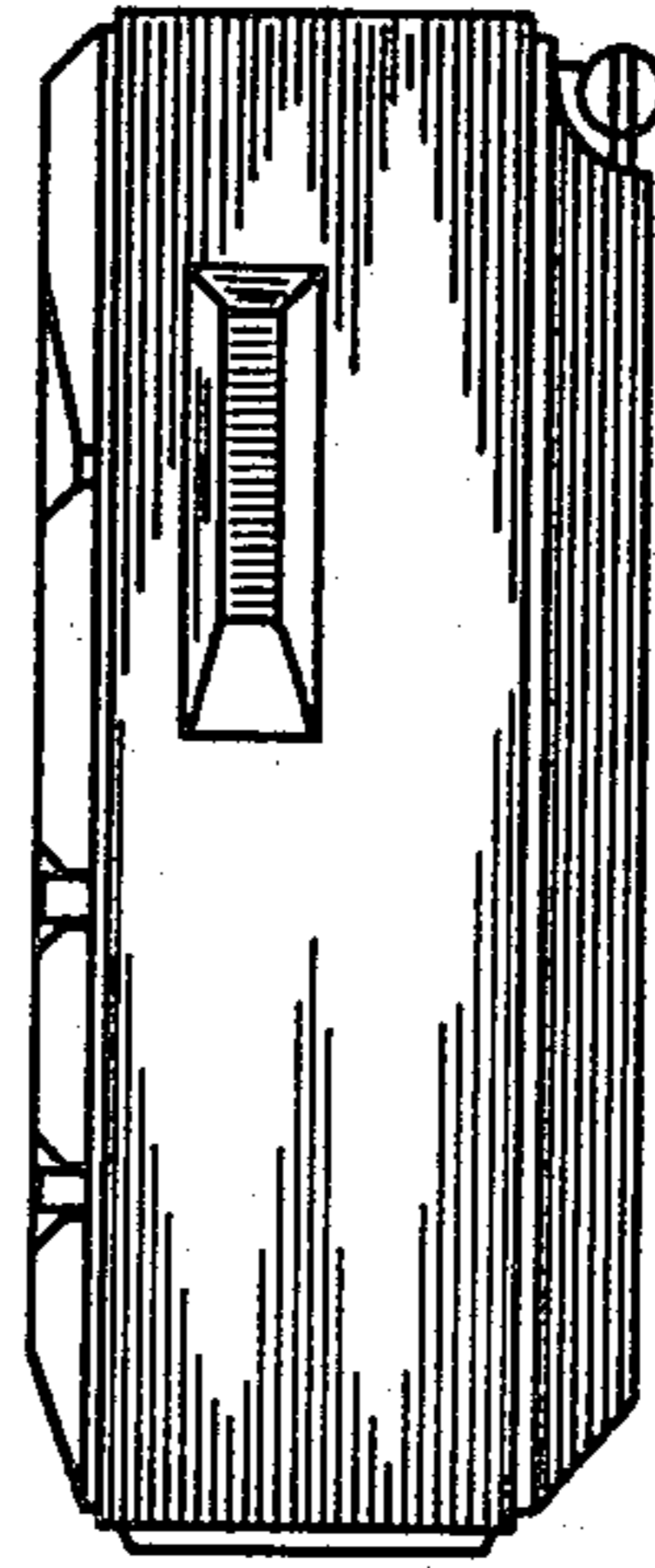


FIG. 5

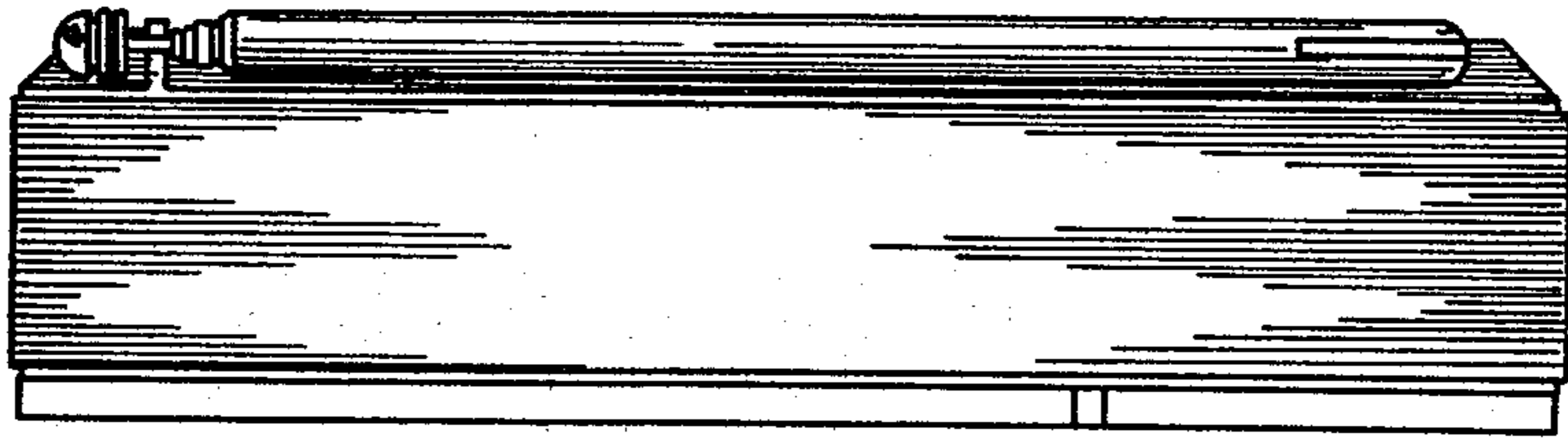


FIG. 6

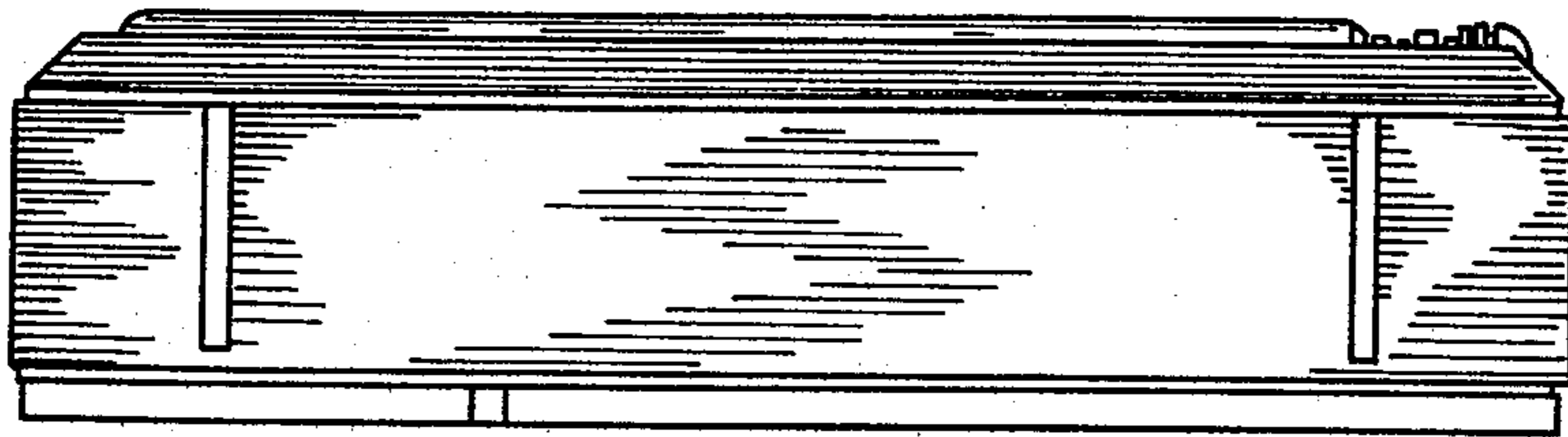


FIG. 7