

[54] CULTIVATOR BLADE

[76] Inventor: Kelly A. Krammer, P.O. Box 144, Cupar, Saskatchewan, Canada, S0G 0Y0

[**] Term: 14 Years

[21] Appl. No.: 289,161

[22] Filed: Aug. 3, 1981

[30] Foreign Application Priority Data

May 4, 1981 [CA] Canada 04-05-81-2

[52] U.S. Cl. D15/11; D8/11; D15/29

[58] Field of Search D8/11, 7; 172/371, 381, 172/720, 730, 765, 770, 732; D32/50, 44; D15/29, 11; 30/314, 315, 318; D4/3, 10, 12

[56] References Cited

U.S. PATENT DOCUMENTS

D. 249,821	10/1978	Cooks et al.	D32/50
824,051	6/1906	Willson	172/720
1,087,270	2/1914	Boldin	172/720
1,527,599	2/1925	Martin	172/720
1,674,964	6/1928	Ewing et al.	D32/50
2,117,461	5/1938	Stemman	172/720
2,771,019	11/1956	Zeitz	D8/7
3,923,104	12/1975	Tibbs	172/720

3,942,591	3/1976	Brannin	172/371
4,079,680	3/1978	Davis	D15/29

FOREIGN PATENT DOCUMENTS

912761	12/1962	United Kingdom	D8/11
--------	---------	----------------------	-------

OTHER PUBLICATIONS

Catalog #50, Blish, Mize & Silliman Hardware Co., ©1950, p. 136, No. R584, Schuffle Hoes.

Primary Examiner—Wallace R. Burke

Assistant Examiner—Horace B. Fay

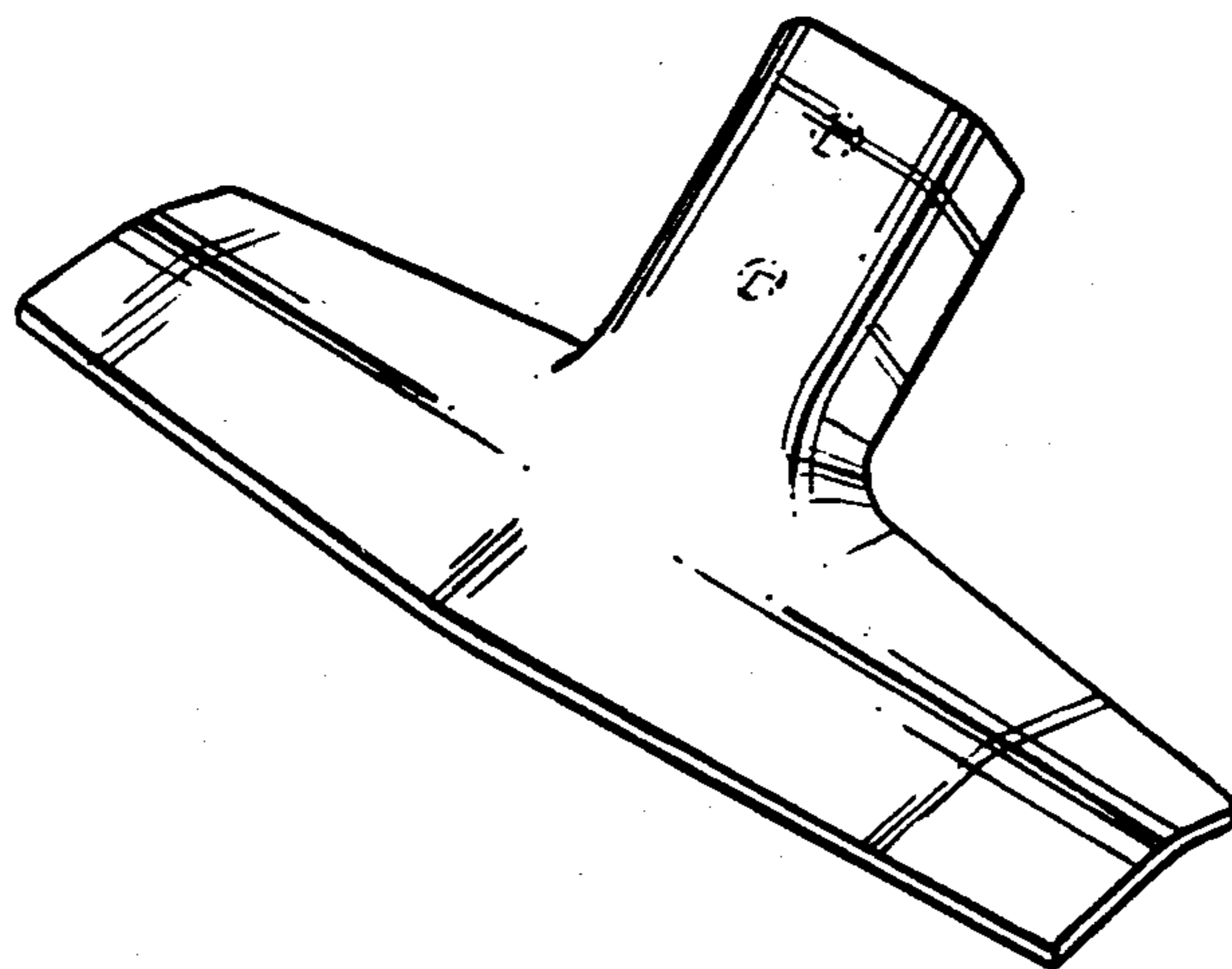
Attorney, Agent, or Firm—Hauke and Patalidis

[57] CLAIM

The ornamental design for a cultivator blade, as shown and described.

DESCRIPTION

FIG. 1 is a perspective view of a cultivator blade showing my new design;
 FIG. 2 is a front elevation view thereof;
 FIG. 3 is a typical right-hand side elevational view thereof;
 FIG. 4 is a typical left-hand side elevational view thereof;
 FIG. 5 is a rear elevation view thereof;
 FIG. 6 is a top plan view thereof; and
 FIG. 7 is a bottom plan view thereof.



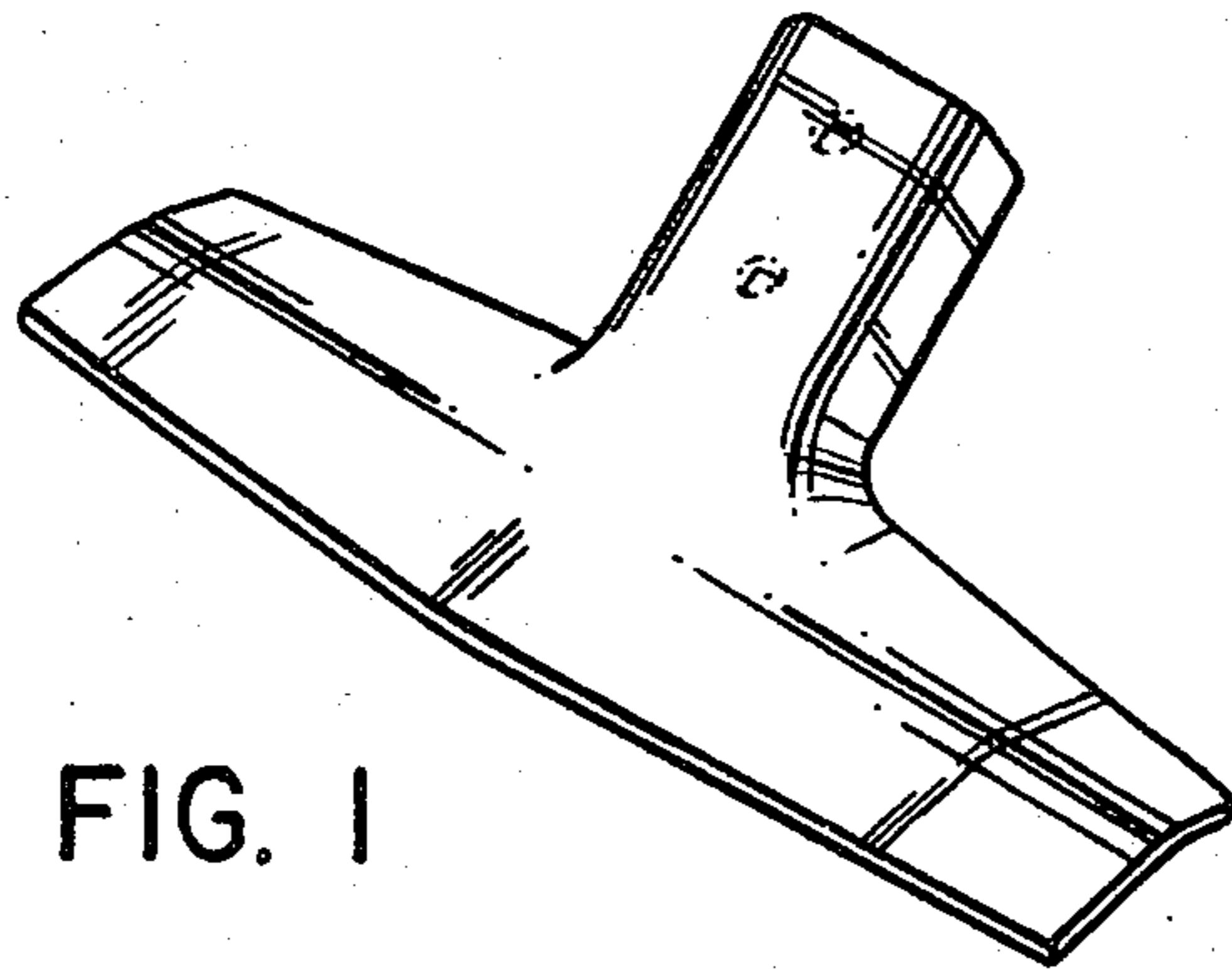


FIG. 1

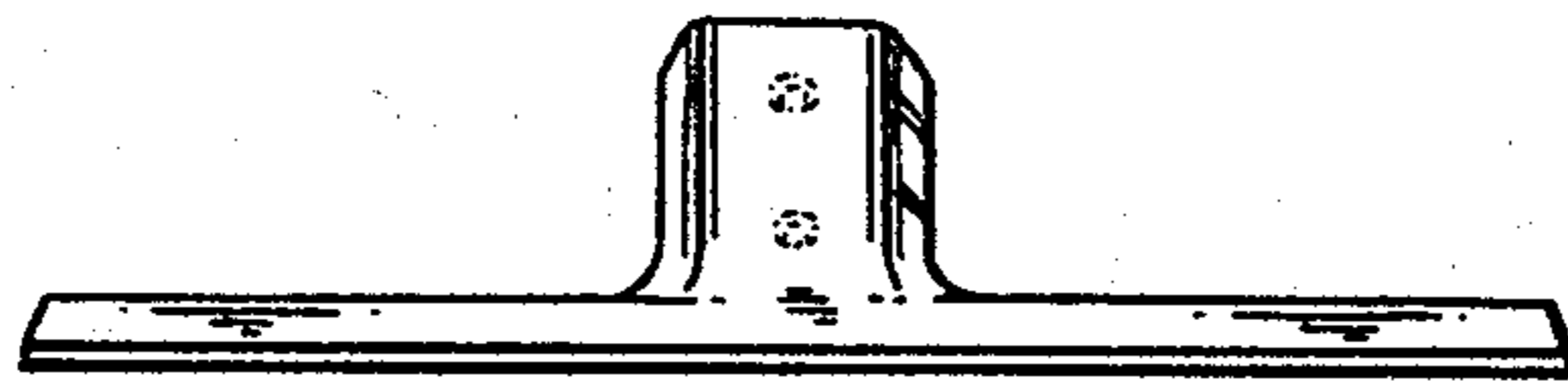


FIG. 2

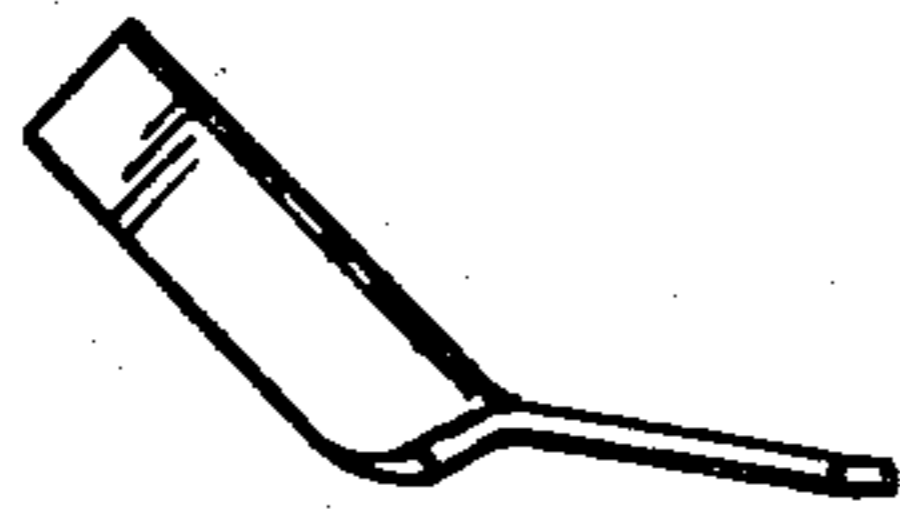


FIG. 3

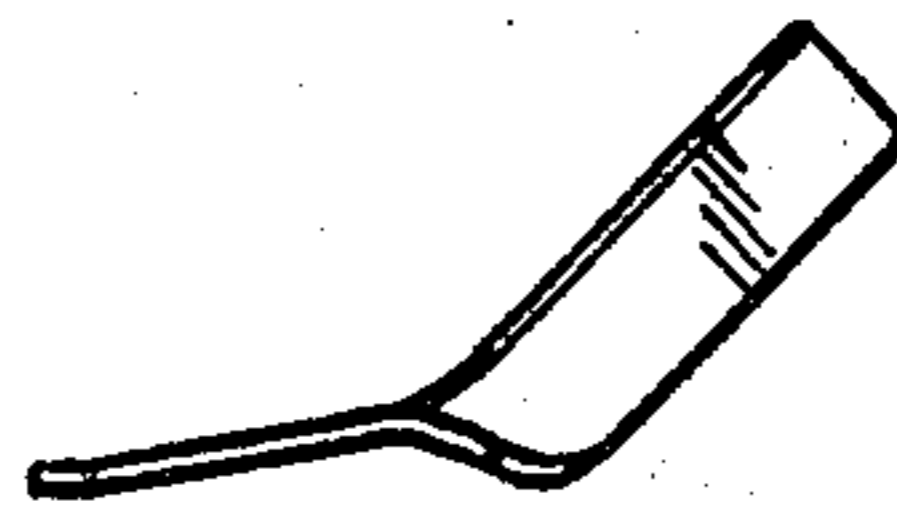


FIG. 4

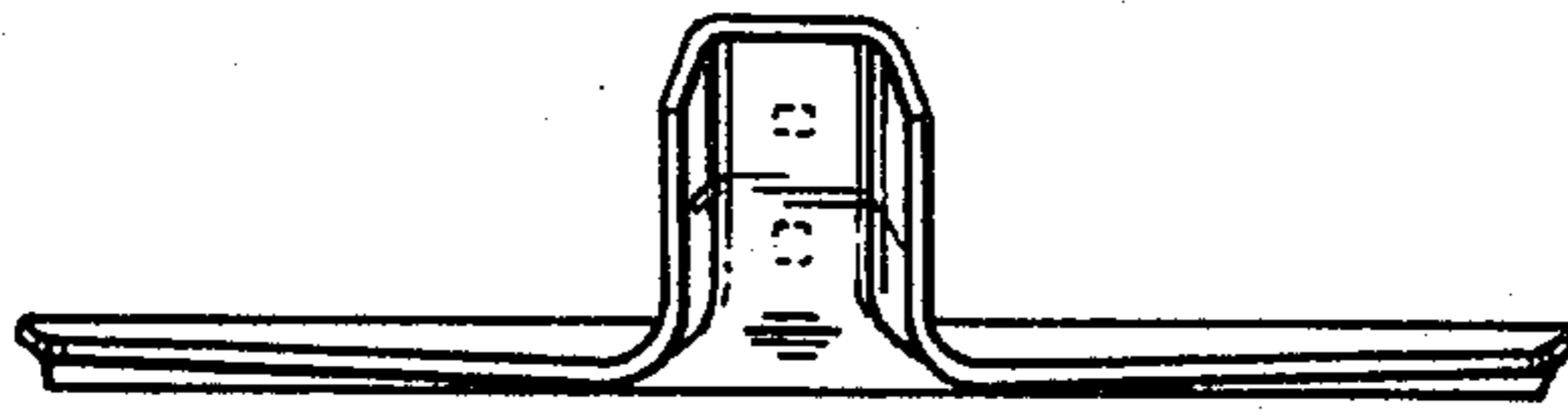


FIG. 5

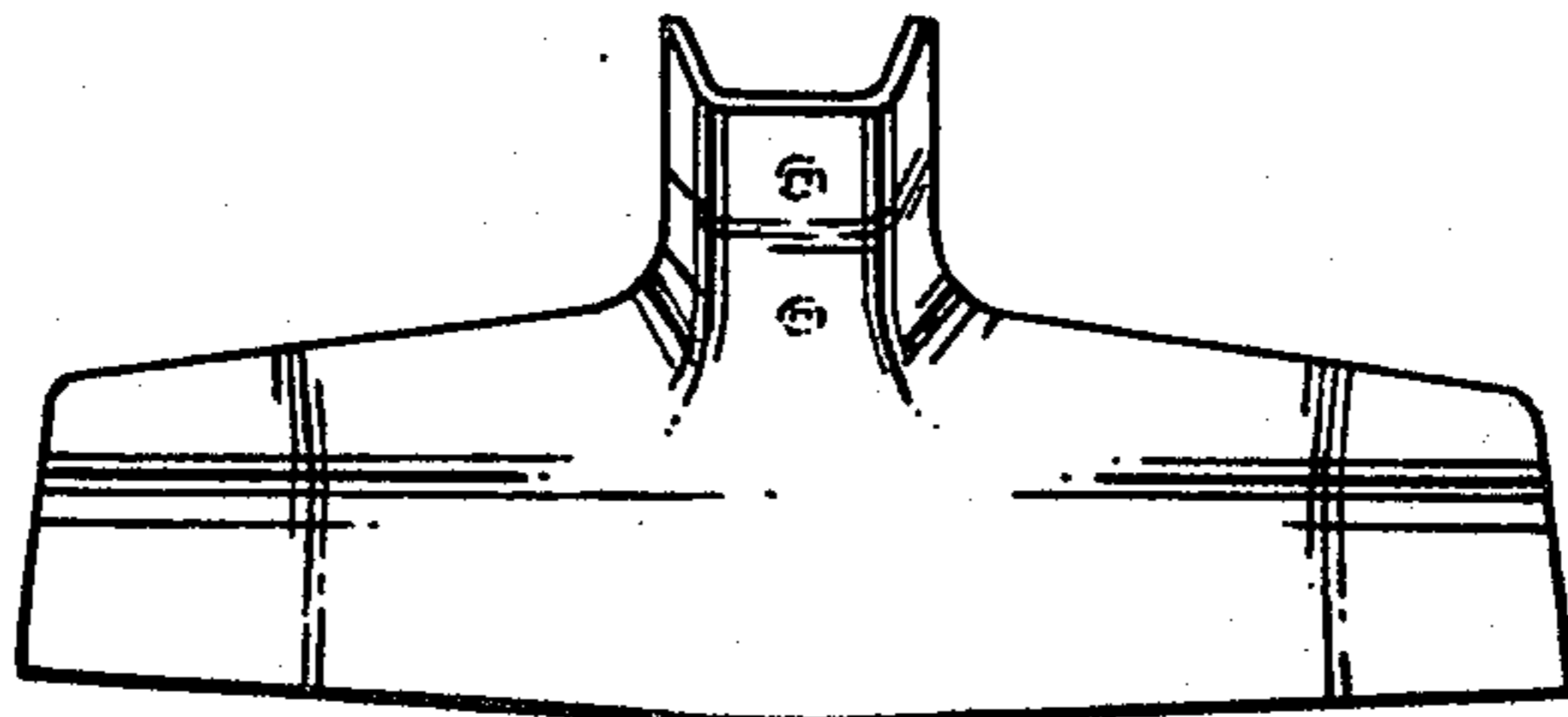


FIG. 6

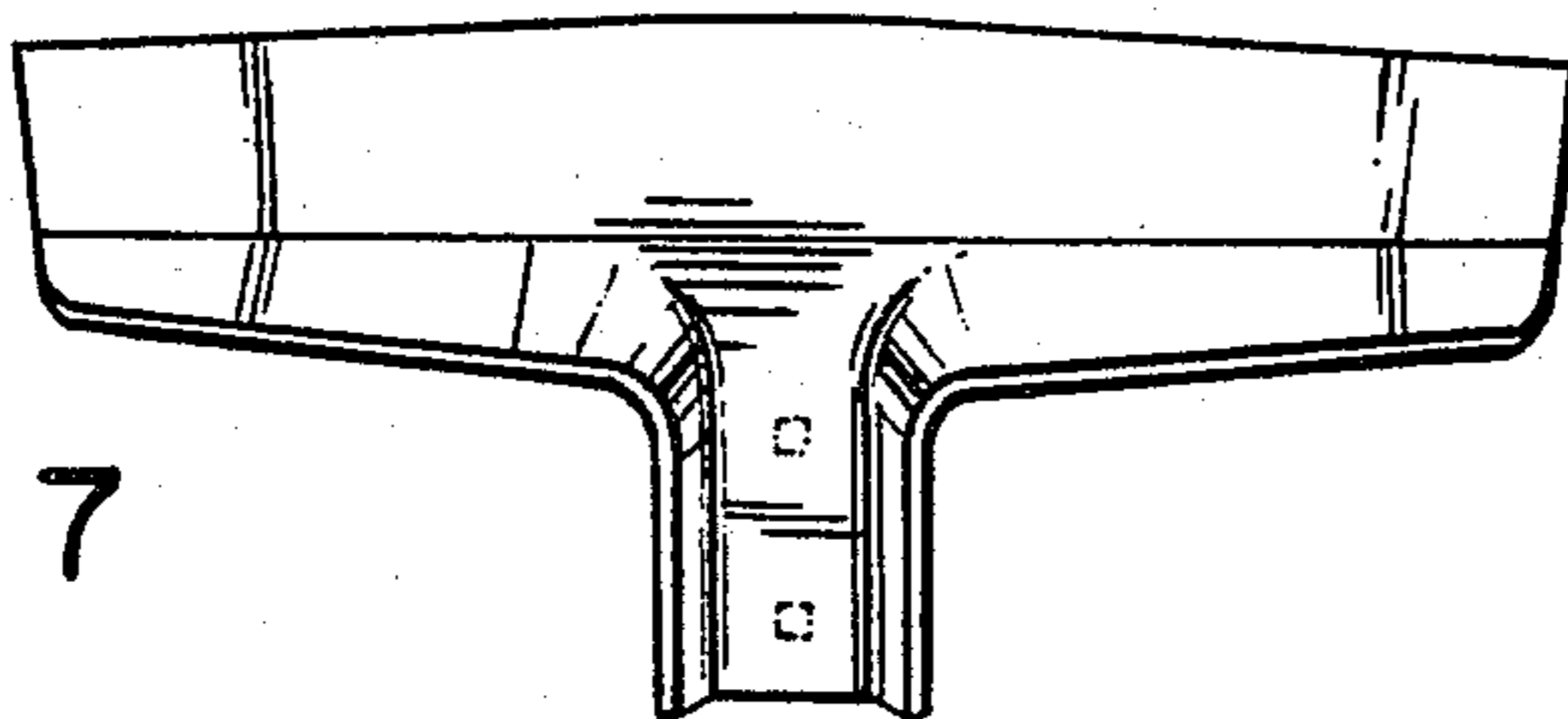


FIG. 7