

[54] RIVETING MACHINE

[75] Inventors: **Tatushi Asai, Aichi; Minoru Yamada, Nagoya, both of Japan**

[73] Assignee: **Brother Kogyo Kabushiki Kaisha, Nagoya, Japan**

[**] Term: **14 Years**

[21] Appl. No.: **317,262**

[22] Filed: **Nov. 2, 1981**

[30] **Foreign Application Priority Data**

May 20, 1981 [JP] Japan 56-21630
 [52] U.S. Cl. **D15/122**
 [58] Field of Search **D15/122, 128; 227/51; 29/34 B, 243.53, 243.54**

[56] **References Cited**

U.S. PATENT DOCUMENTS

D. 238,703 2/1976 Rawson D15/122
 3,586,230 6/1971 Hill et al. 227/51
 3,747,193 7/1973 Gregory 227/51

Primary Examiner—B. J. Bullock
Attorney, Agent, or Firm—Moonray Kojima

[57] **CLAIM**

The ornamental design for a riveting machine, as shown and described.

DESCRIPTION

FIG. 1 is a front elevational view of a riveting machine, showing our new design;
 FIG. 2 is a rear elevational view thereof;
 FIG. 3 is a side elevational view taken from the left of FIG. 1;
 FIG. 4 is a side elevational view taken from the right of FIG. 1;
 FIG. 5 is a top plan view thereof; and
 FIG. 6 is a bottom plan view thereof.

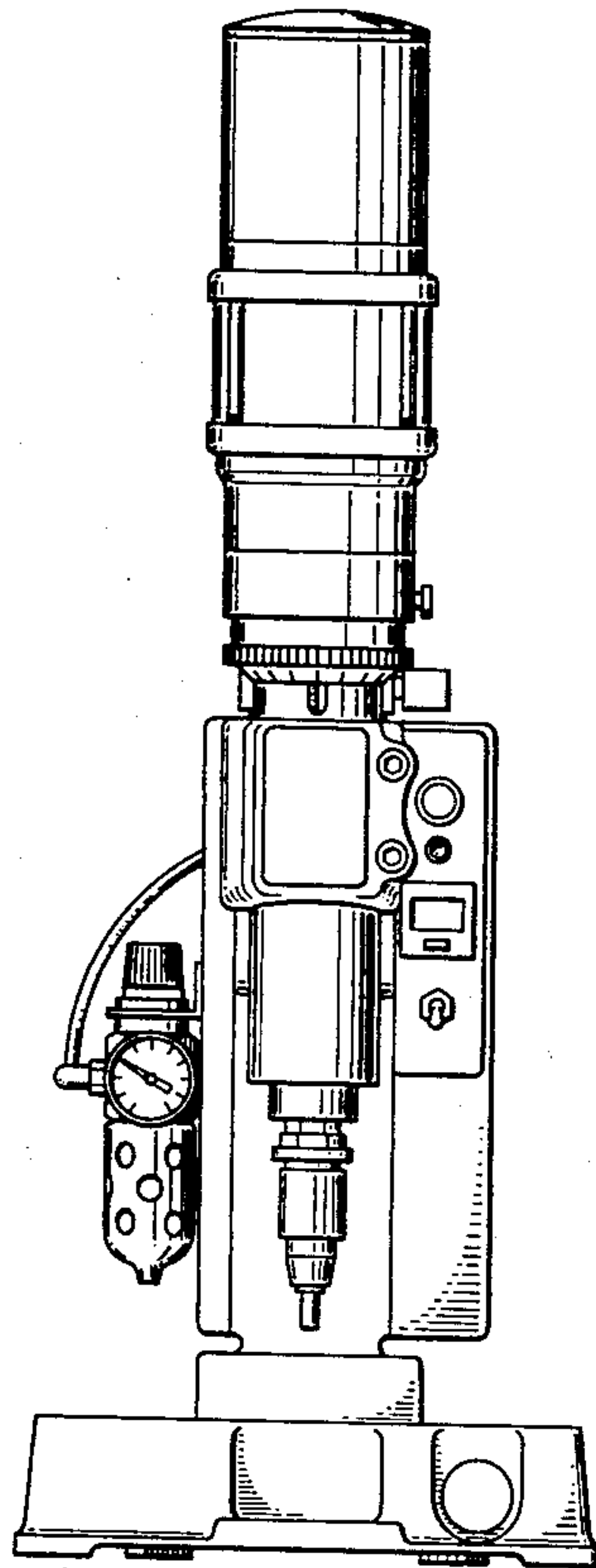


Fig. 1

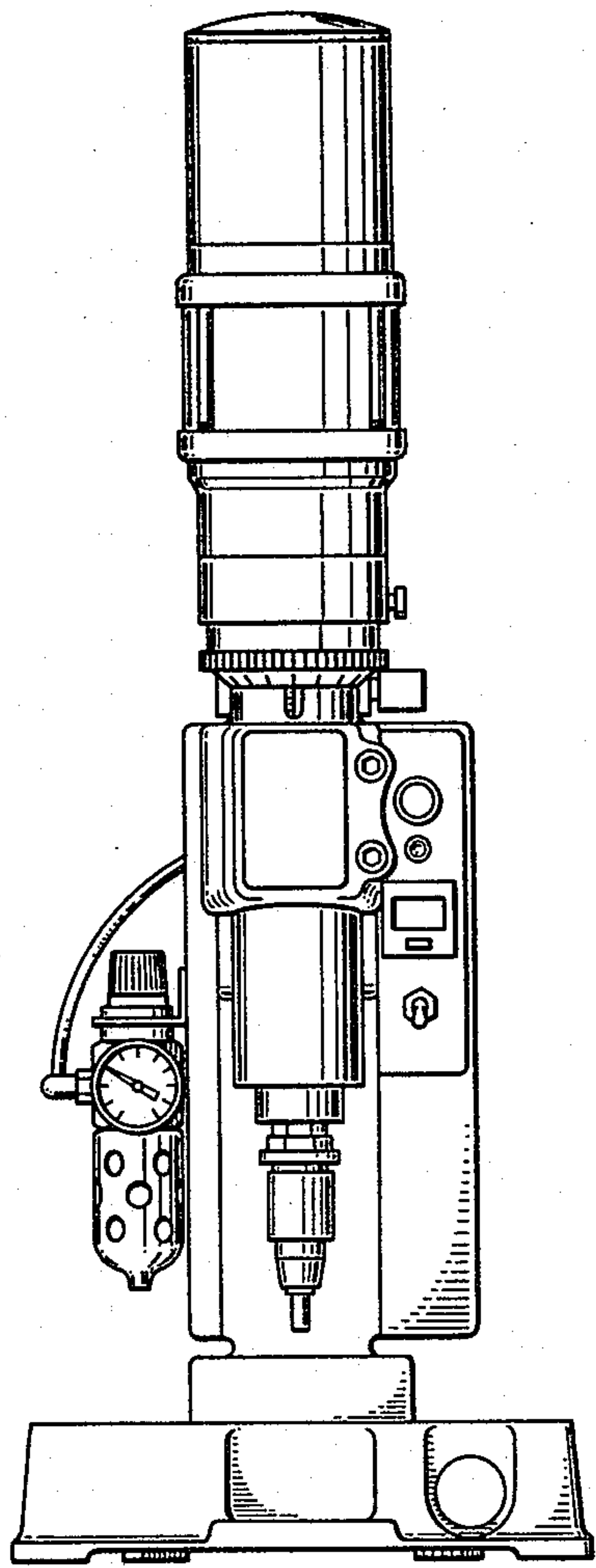


Fig. 2

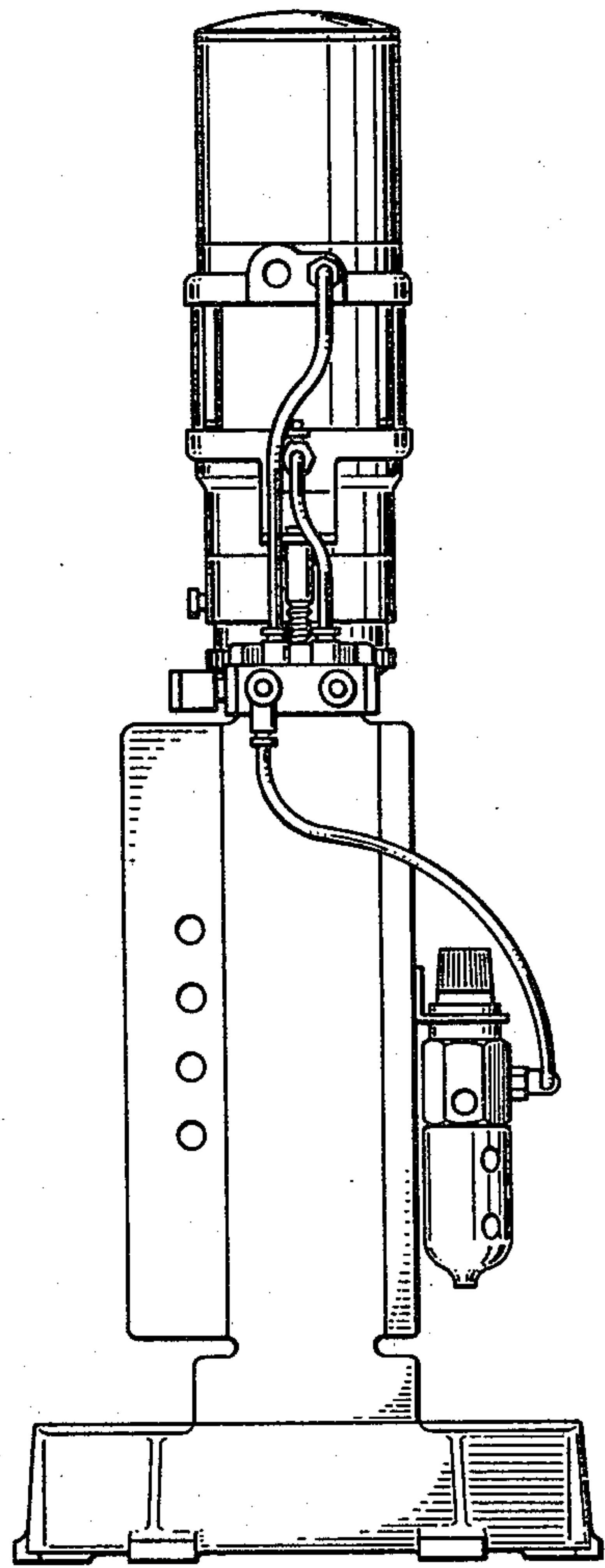


Fig. 3

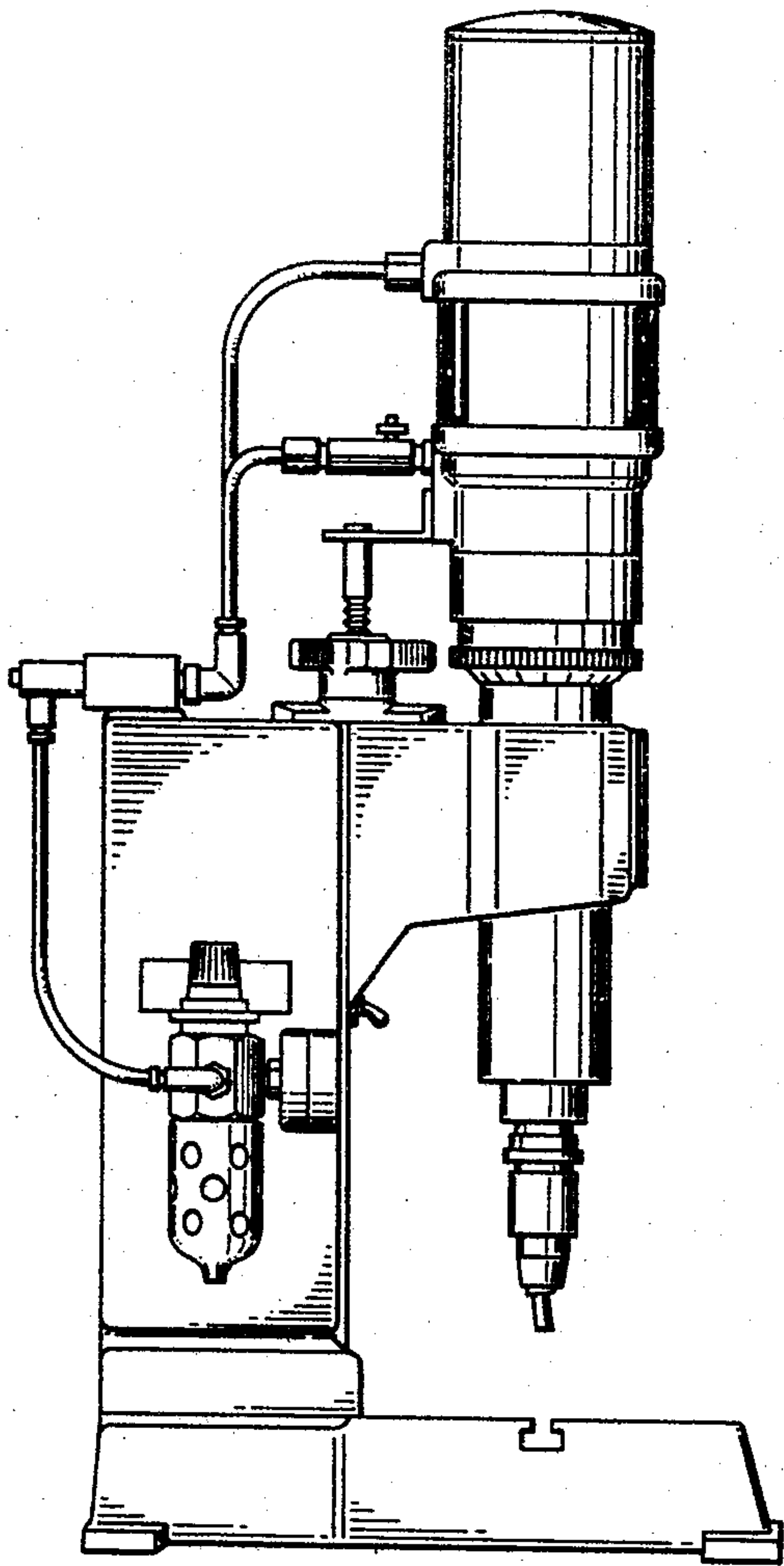


Fig. 4

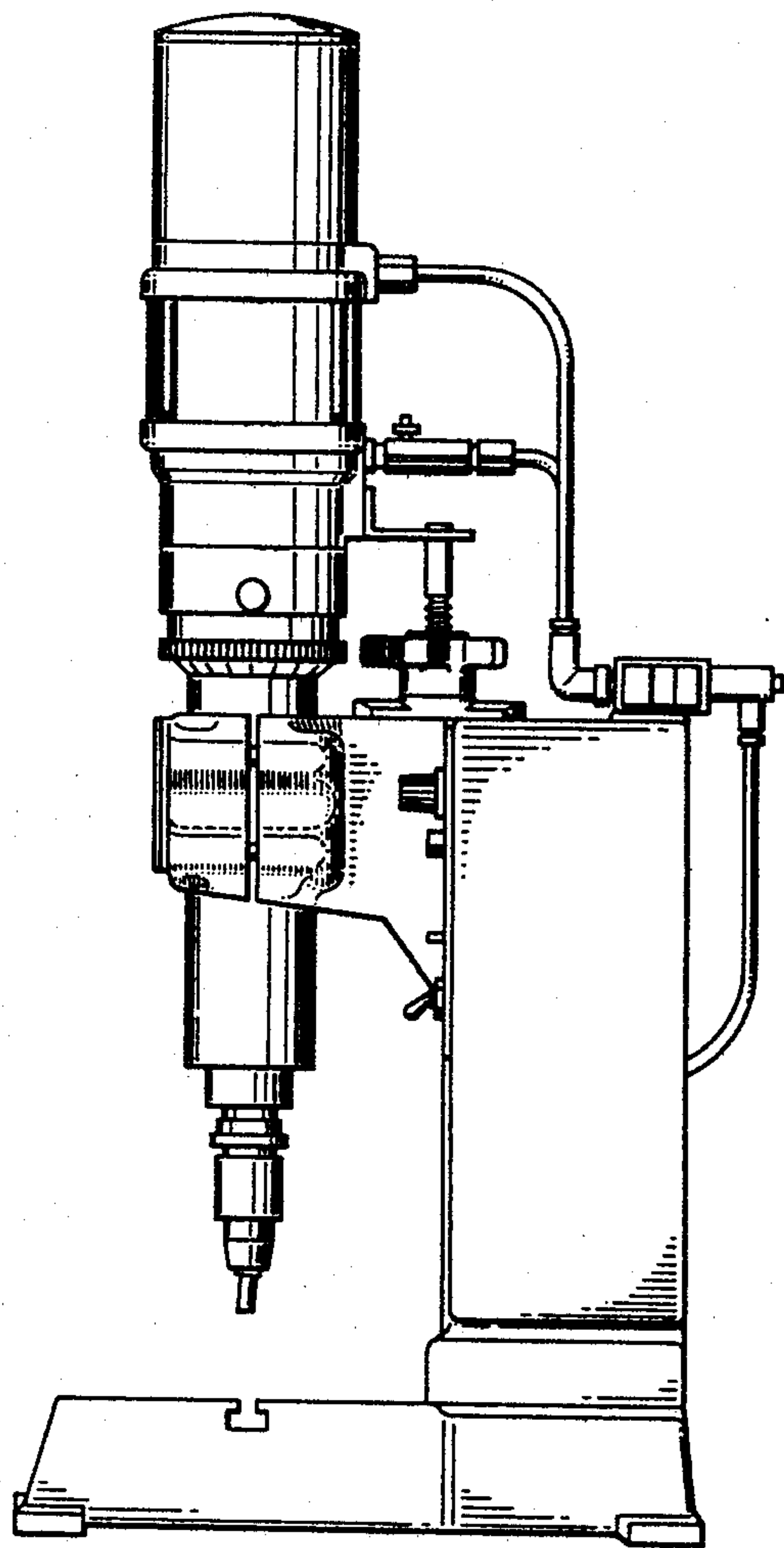


Fig. 5

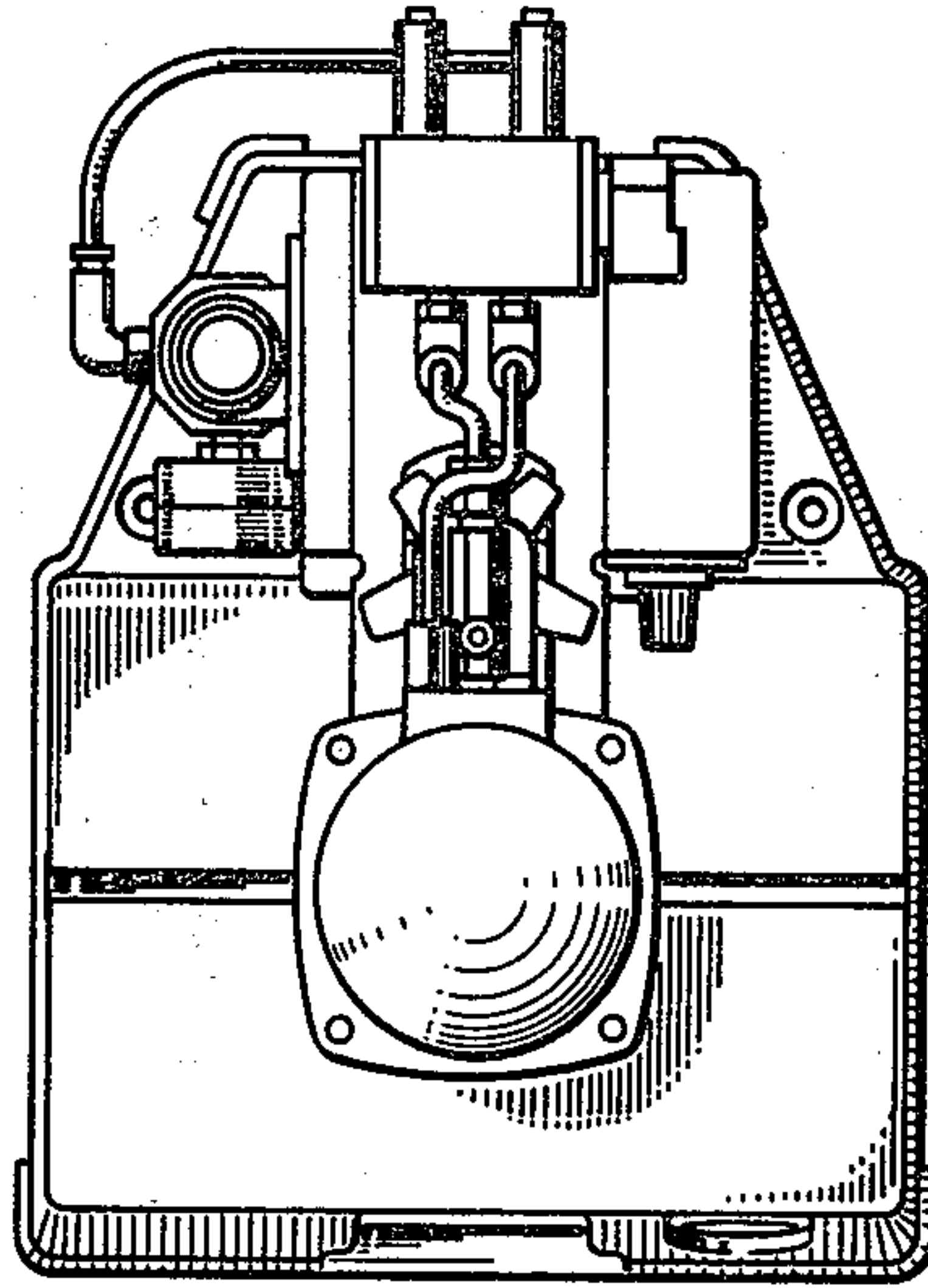


Fig. 6

