

[54] CARRIER BODY

[75] Inventors: James G. Wiatt; James W. Calvert; Samuel L. Belcher, all of Cincinnati; Roger D. Smith, Bethel, all of Ohio

[73] Assignee: Cincinnati Milacron Inc., Cincinnati, Ohio

[**] Term: 14 Years

[21] Appl. No.: 283,028

[22] Filed: Jul. 13, 1981

[52] U.S. Cl. D15/138

[58] Field of Search D15/138, 139, 140, 130, D15/132; 425/526, 534, 533, 535

[56] References Cited

U.S. PATENT DOCUMENTS

4,310,282 1/1982 Spurr et al. 425/533

4,362,498 12/1982 Harry et al. 425/526
4,382,760 5/1983 Wiatt et al. 425/526

Primary Examiner—Wallace R. Burke
Assistant Examiner—Suzanne N. Gitlin
Attorney, Agent, or Firm—Daniel P. Worth; John W. Gregg

[57] CLAIM

The ornamental design for the carrier body, as shown and described.

DESCRIPTION

FIG. 1 is a top and side perspective view of a carrier body showing our new design;
FIG. 2 is an end elevational view thereof;
FIG. 3 is a top plan view thereof;
FIG. 4 is a side elevational view thereof, the opposite side being a mirror image;
FIG. 5 is a bottom plan view thereof.

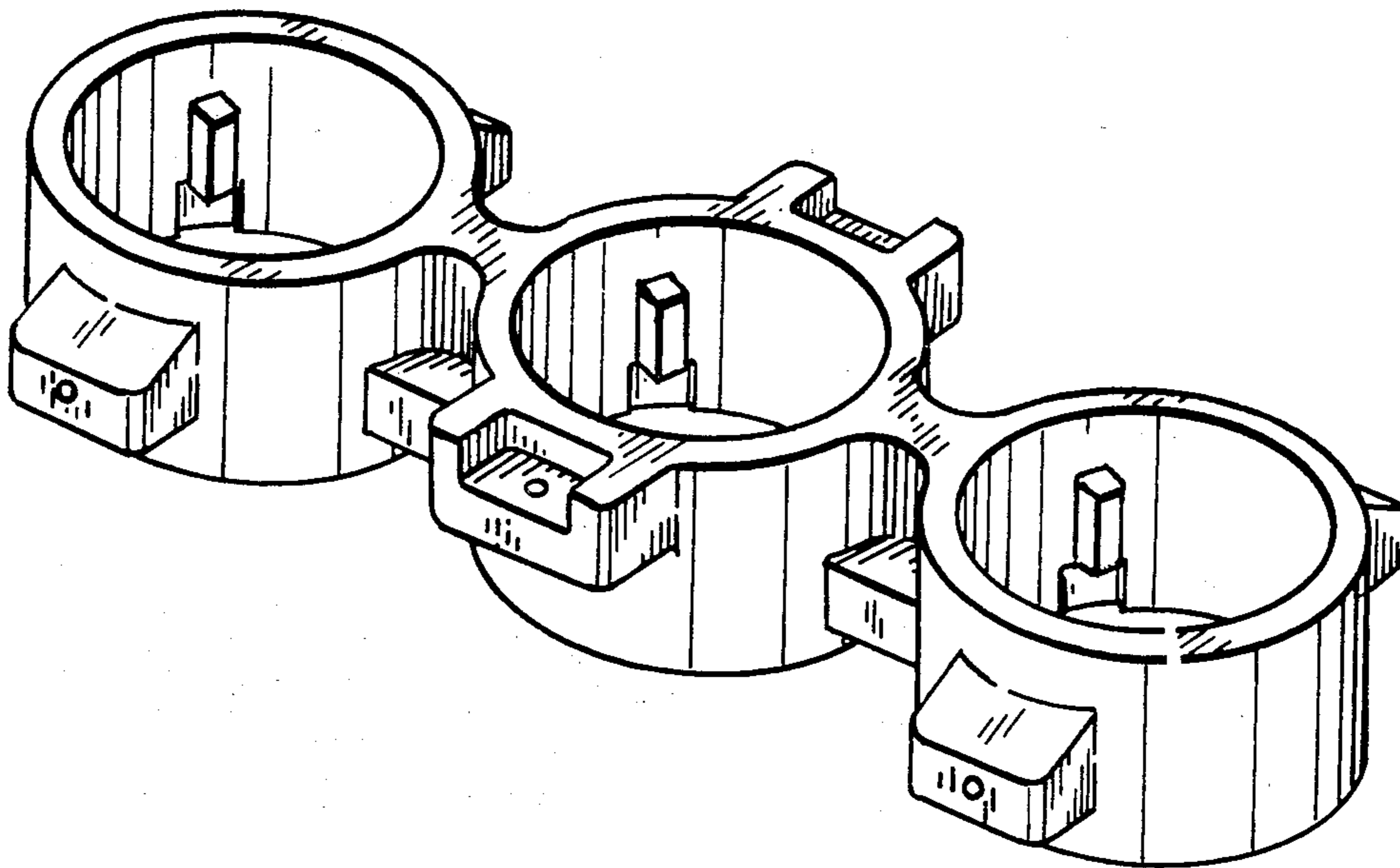


FIG-1

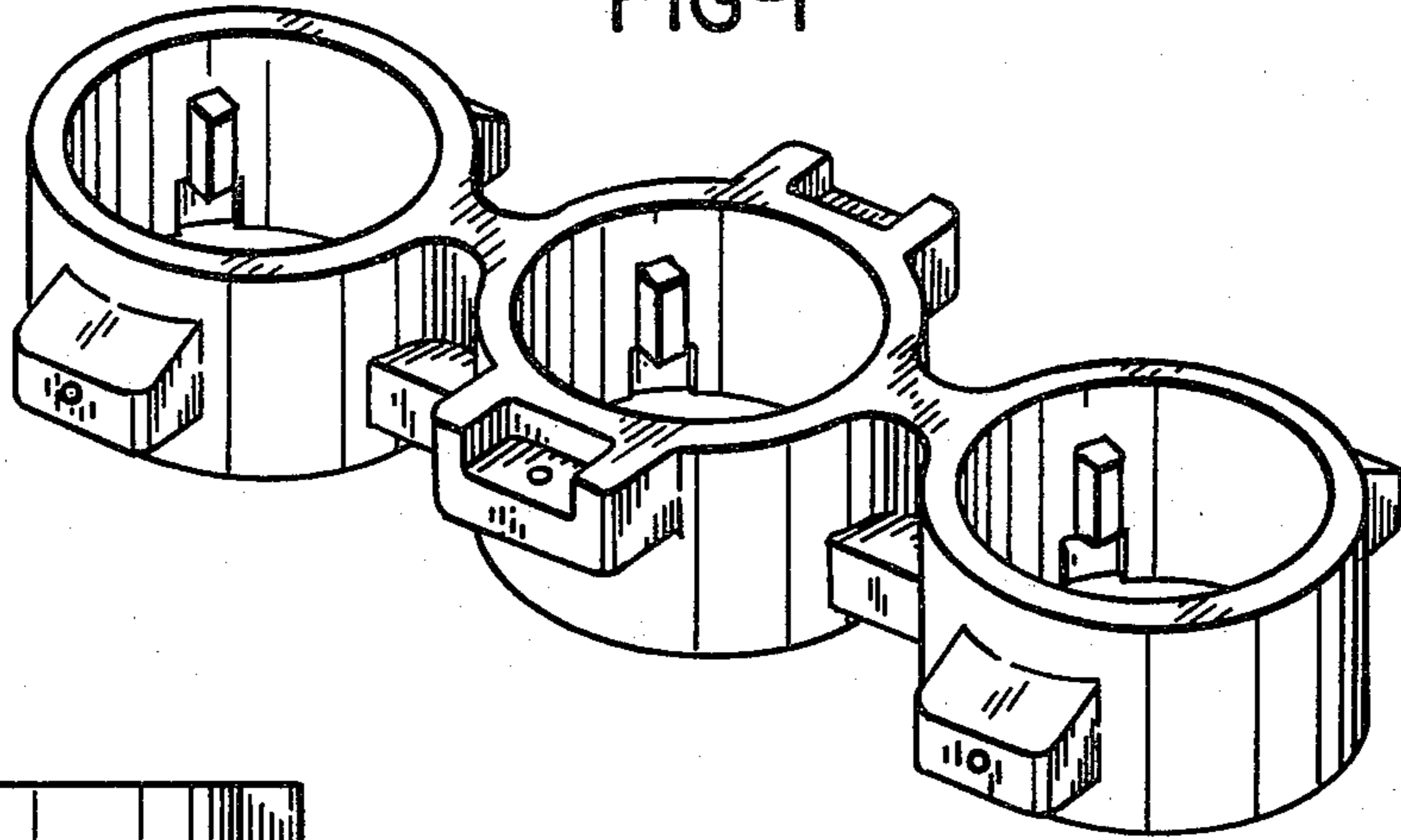


FIG-2

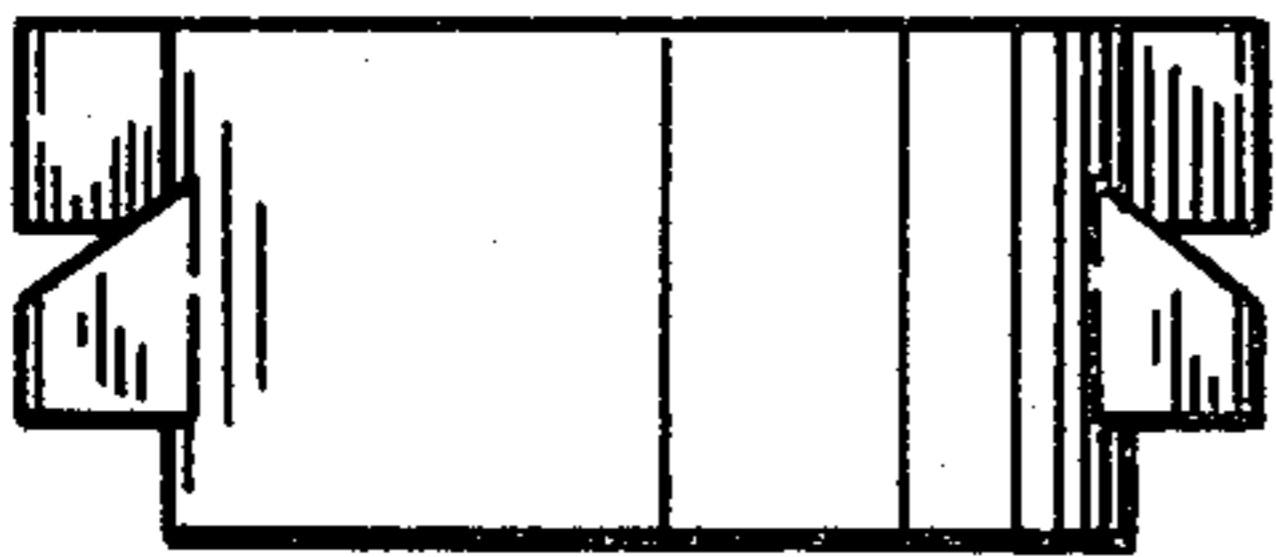


FIG-3

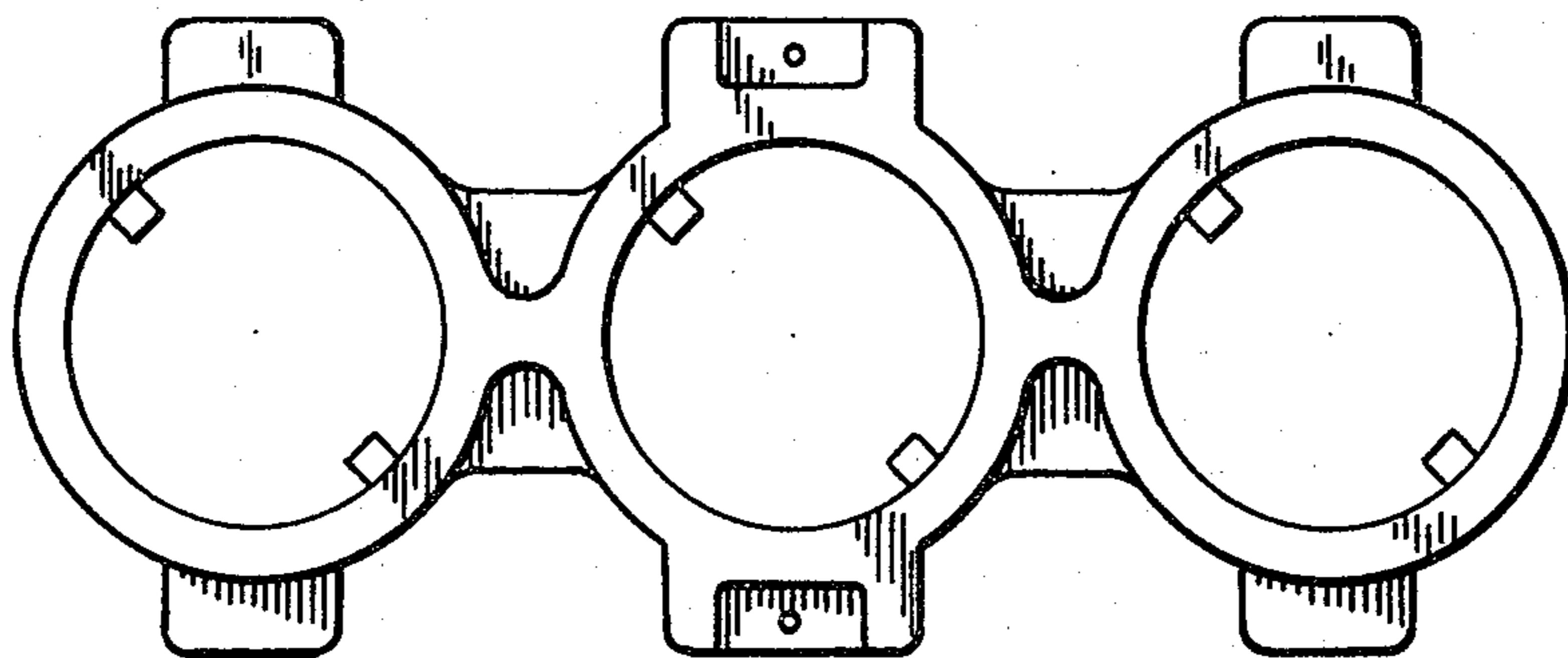


FIG-4

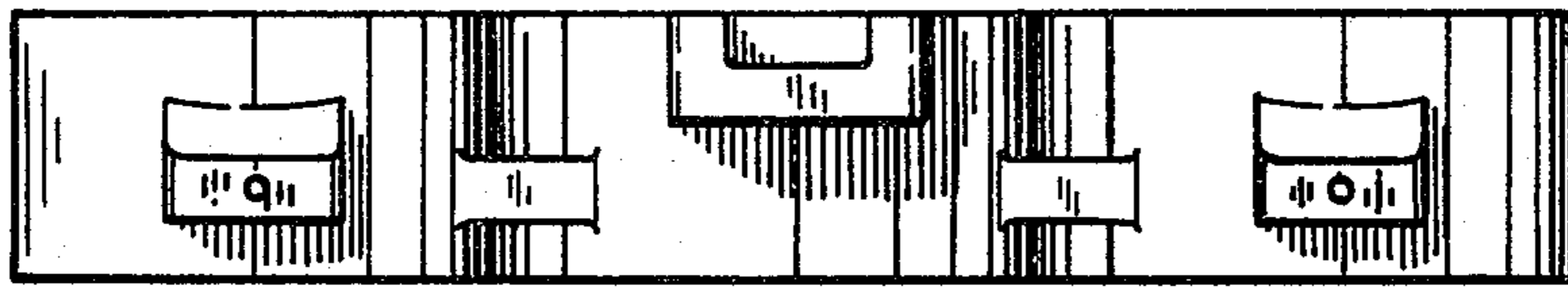


FIG-5

