

[54] CUTTING BLADE

[75] Inventors: William A. Prokop, Newtown, Conn.; Gerd Dahle, Coburg, Fed. Rep. of Germany

[73] Assignee: Dahle U.S.A., Oxford, Conn.

[**] Term: 14 Years

[21] Appl. No.: 257,518

[22] Filed: Apr. 27, 1981

[52] U.S. Cl. D15/139; D15/127

[58] Field of Search D15/127, 139, 138; 83/597, 666, 673, 607, 608, 609

[56] References Cited

U.S. PATENT DOCUMENTS

3,134,285 5/1964 Greene 83/607
3,490,324 1/1970 Dahle 83/607

FOREIGN PATENT DOCUMENTS

1655 of 1892 United Kingdom 83/608

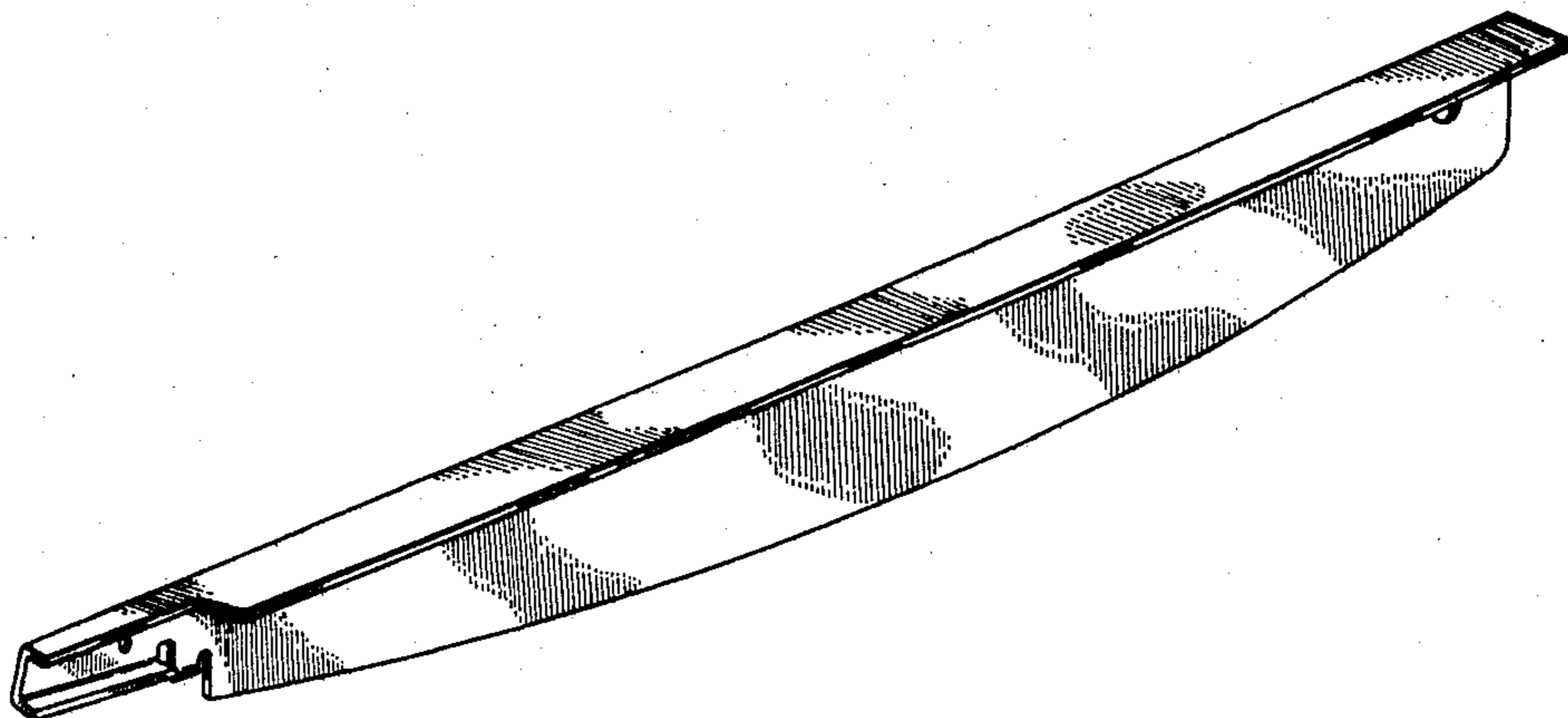
Primary Examiner—Susan J. Lucas
Assistant Examiner—Suzanne N. Gitlin
Attorney, Agent, or Firm—Mattern, Ware, Stoltz & Fressola

[57] CLAIM

The ornamental design for a cutting blade, substantially as shown and described.

DESCRIPTION

FIG. 1 is a perspective view of a cutting blade showing our new design;
FIG. 2 is a bottom plan view thereof;
FIG. 3 is a top plan view thereof;
FIG. 4 is a right side view thereof;
FIG. 5 is a left end view thereof;
FIG. 6 is a right end view thereof.



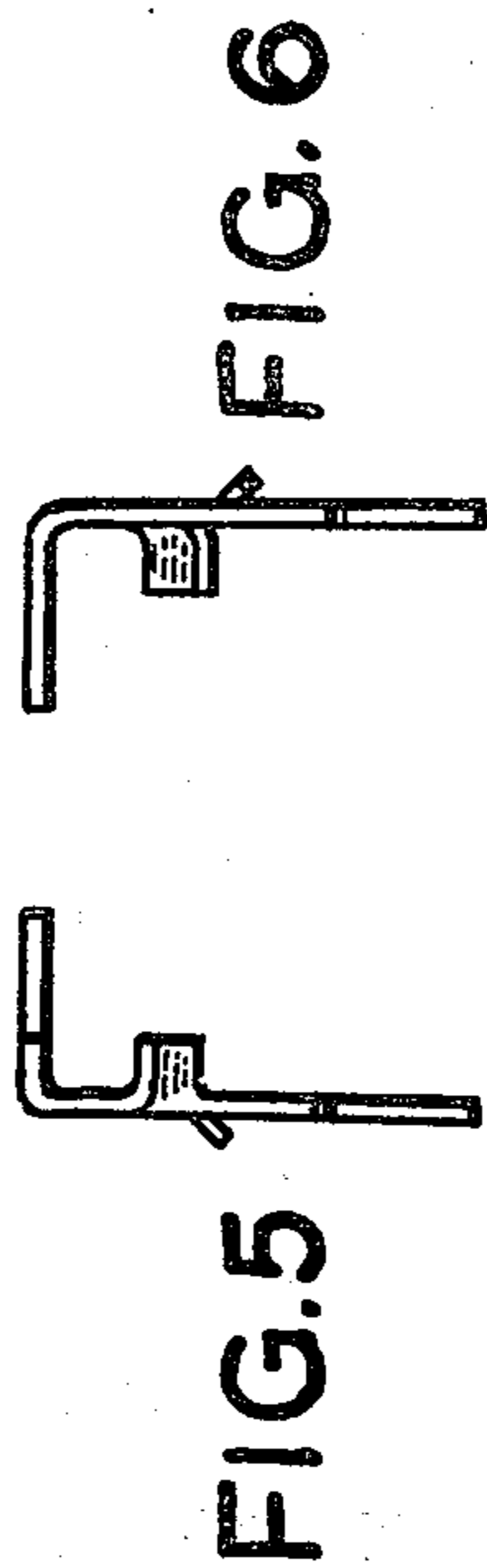
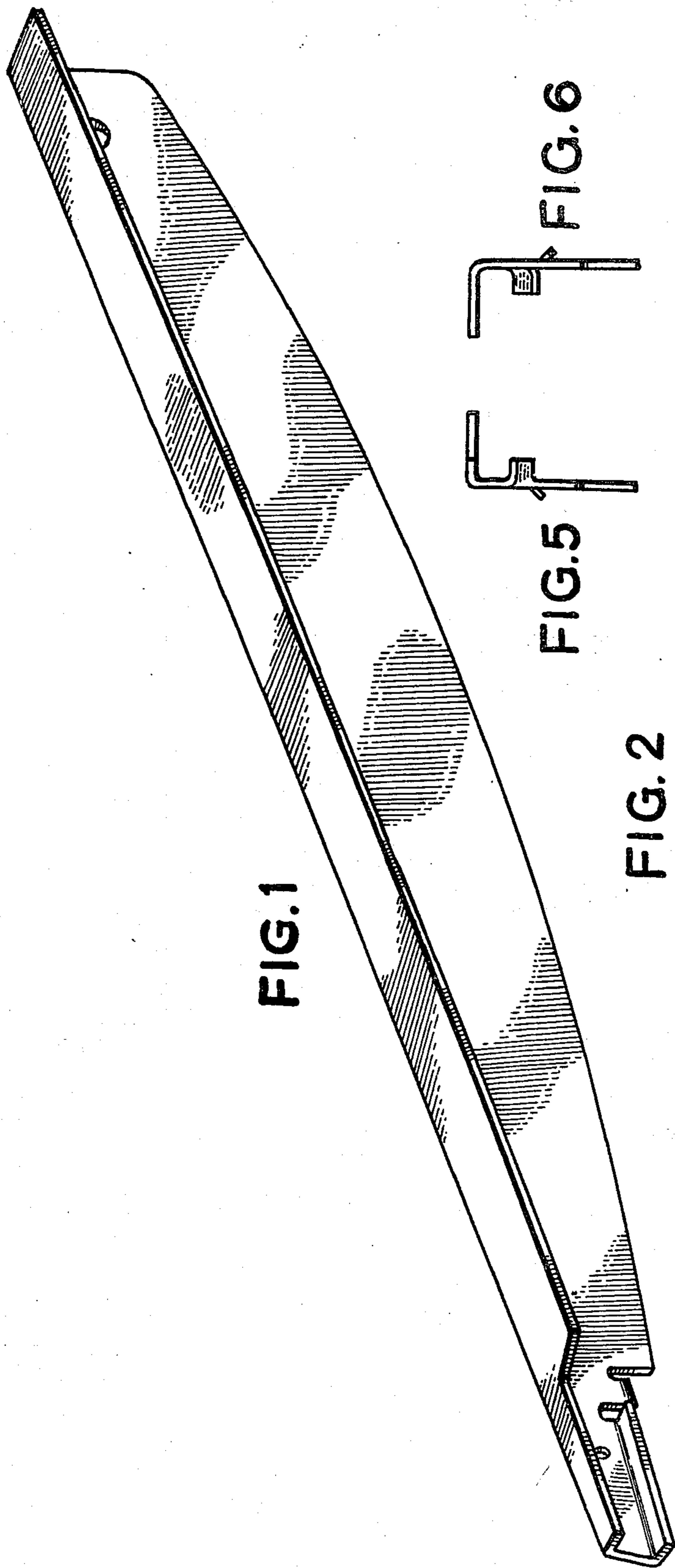


FIG. 2



FIG. 3

FIG. 4