

[54] LABELER

[75] Inventor: Tokio Wada, Nagareyamashi, Japan

[73] Assignee: Kabushiki Kaisha Shinsei Industries, Tokyo, Japan

[**] Term: 14 Years

[21] Appl. No.: 397,853

[22] Filed: Jul. 13, 1982

[30] Foreign Application Priority Data

Feb. 10, 1982 [JP] Japan 57-5076

[52] U.S. Cl. D18/19

[58] Field of Search D18/13-15, D18/19, 22; D19/68; 101/288; 156/384, DIG. 48, DIG. 41

[56] References Cited

U.S. PATENT DOCUMENTS

D. 252,518 7/1979 Sato D18/14

D. 253,243 10/1979 Sato D18/19

D. 259,495 6/1981 Wada D18/19

4,377,435 3/1983 Fujita 156/384

Primary Examiner—Louis S. Zarfes

Attorney, Agent, or Firm—Wenderoth, Lind & Ponack

[57] CLAIM

The ornamental design for a labeler, as shown.

DESCRIPTION

FIG. 1 is a right side elevation view of a labeler, showing the new design;

FIG. 2 is a left side elevation view thereof;

FIG. 3 is a front elevation view thereof;

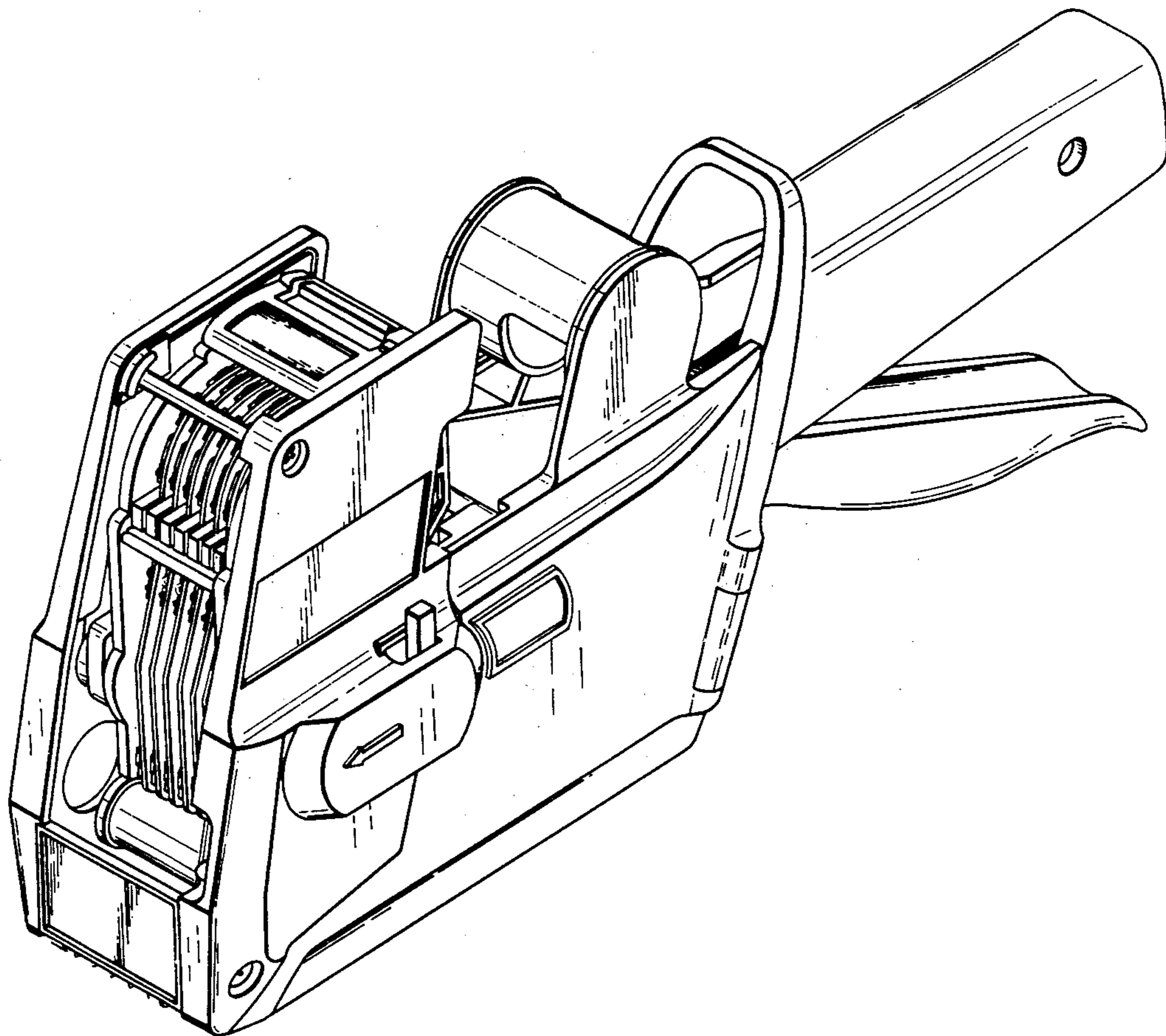
FIG. 4 is a rear elevation view thereof;

FIG. 5 is a bottom plan view thereof;

FIG. 6 is a top plan view thereof;

FIG. 7 is a perspective view thereof taken from above and to the left in FIG. 1; and

FIG. 8 is a perspective view thereof taken from below and to the left in FIG. 2.



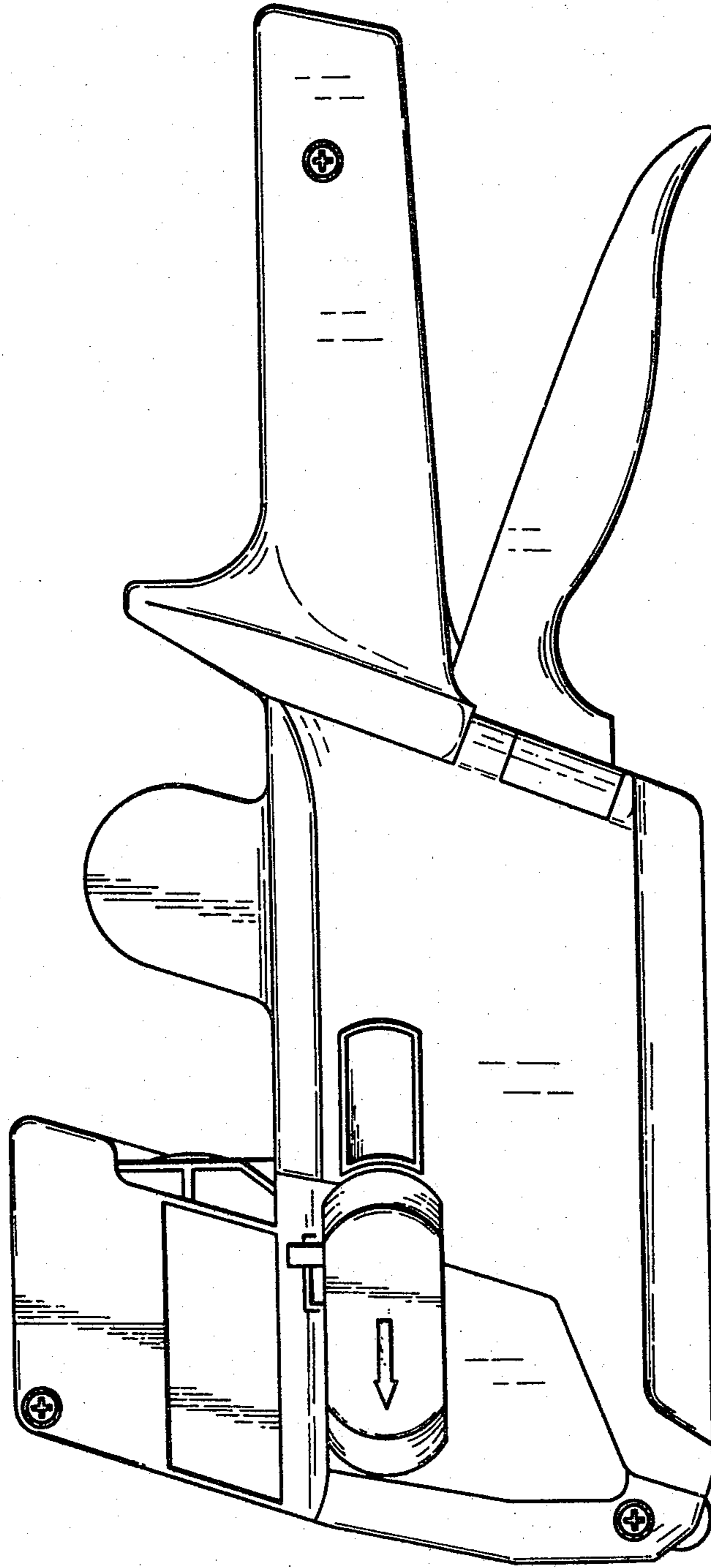


FIG. 1

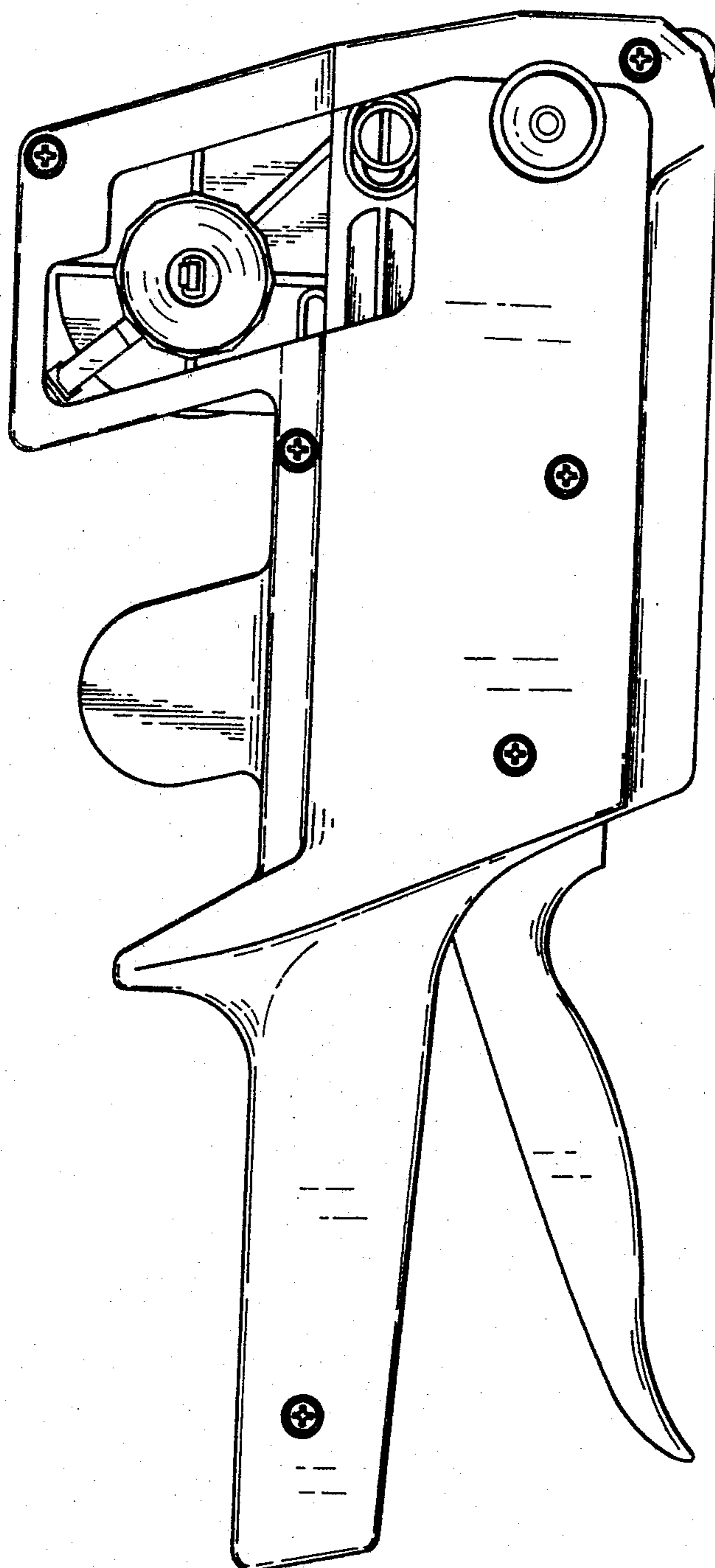


FIG. 2

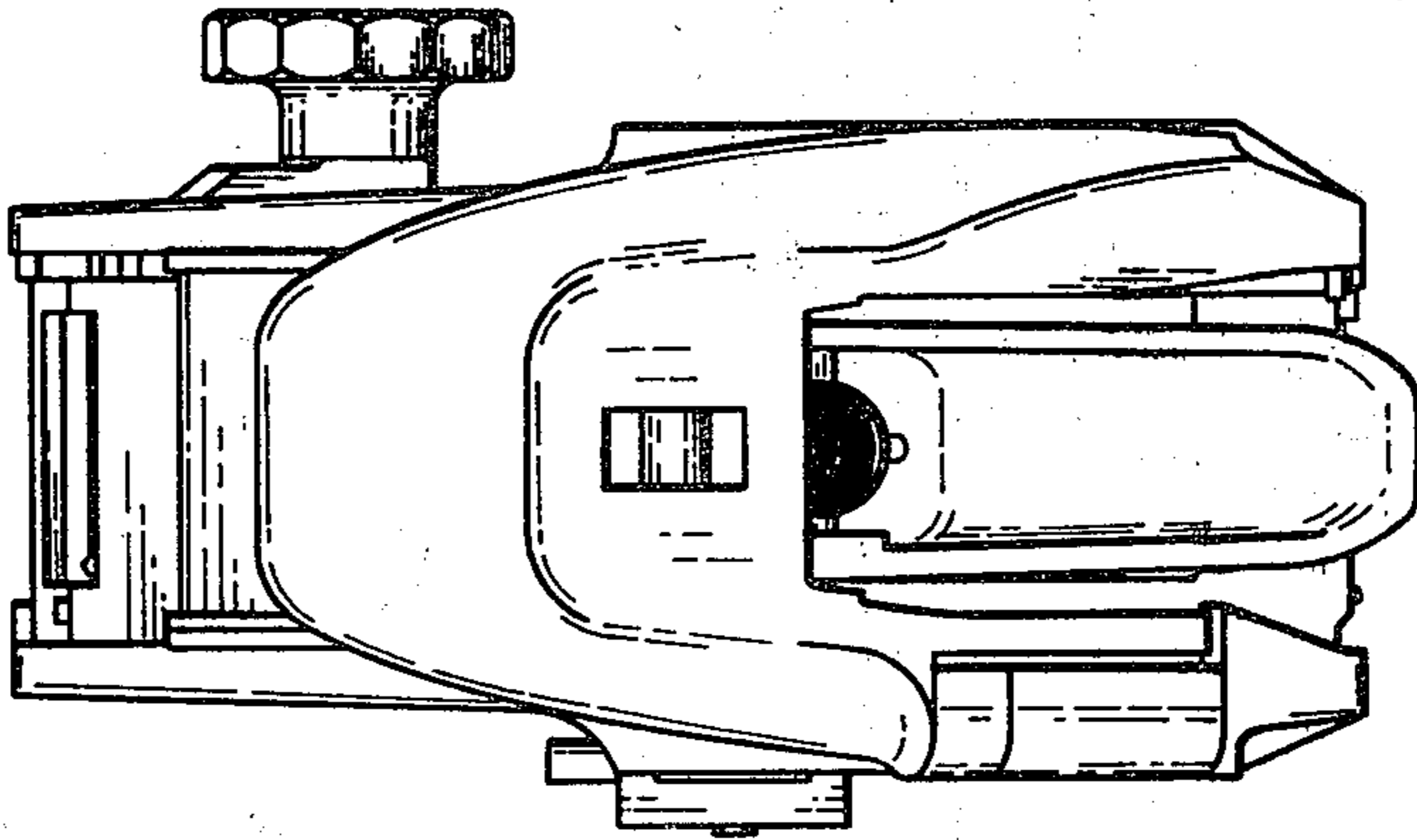


FIG. 4

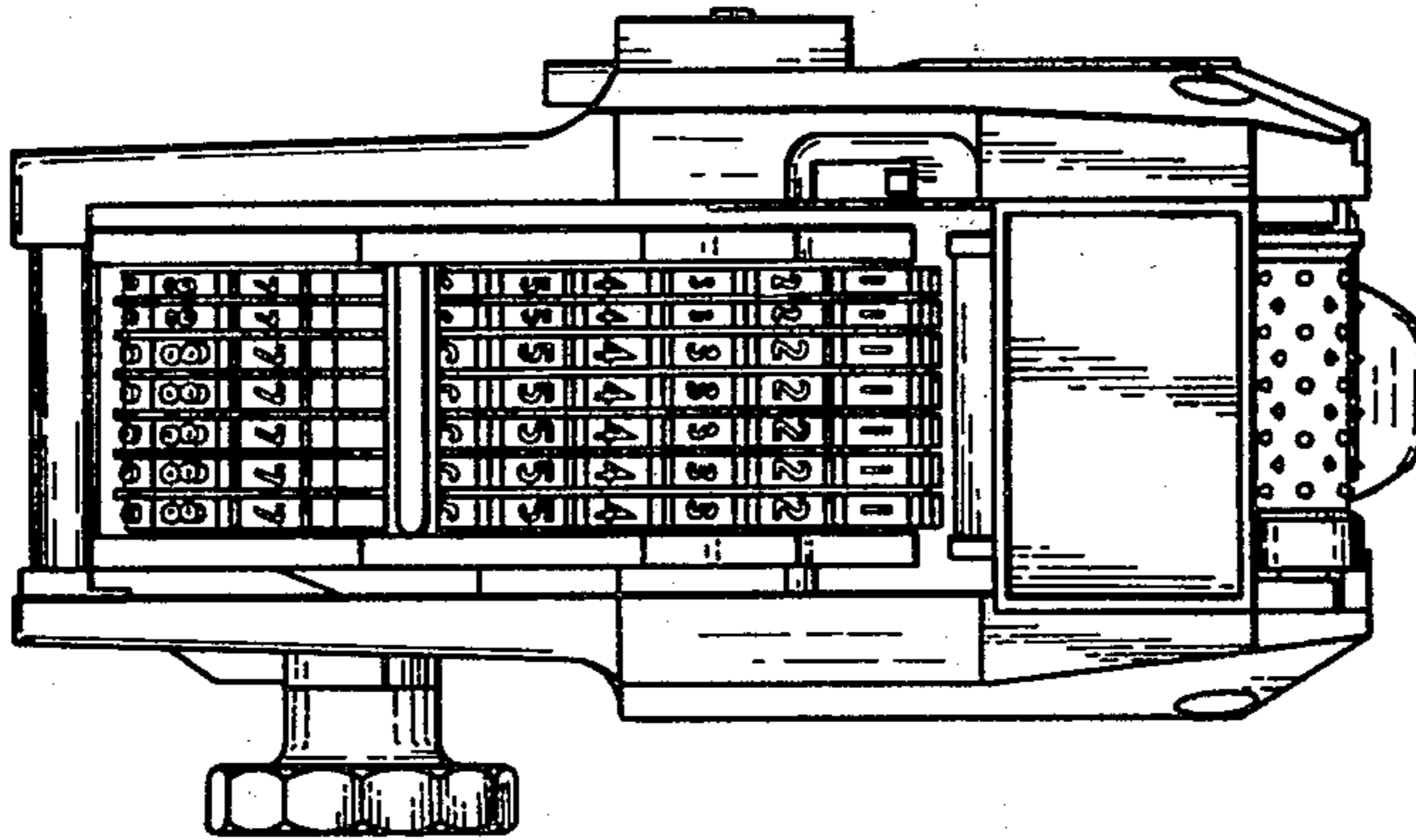


FIG. 3

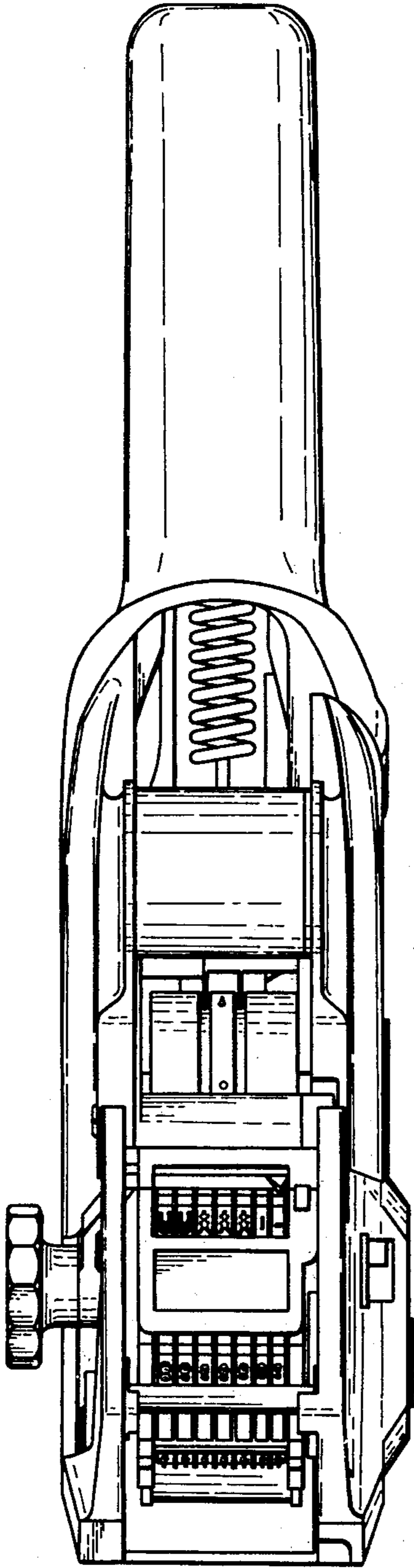


FIG. 6

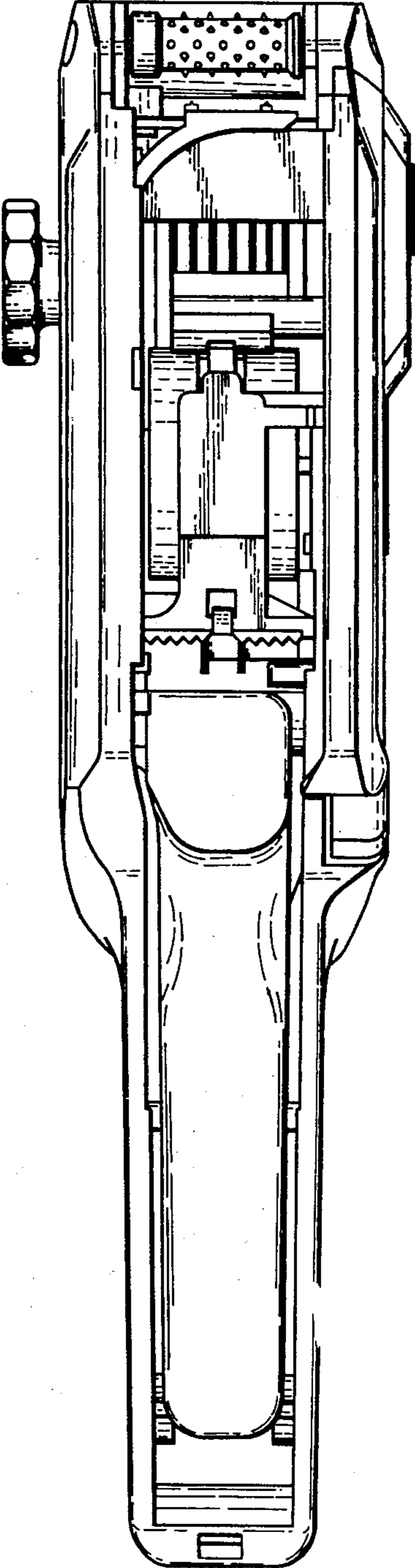


FIG. 5

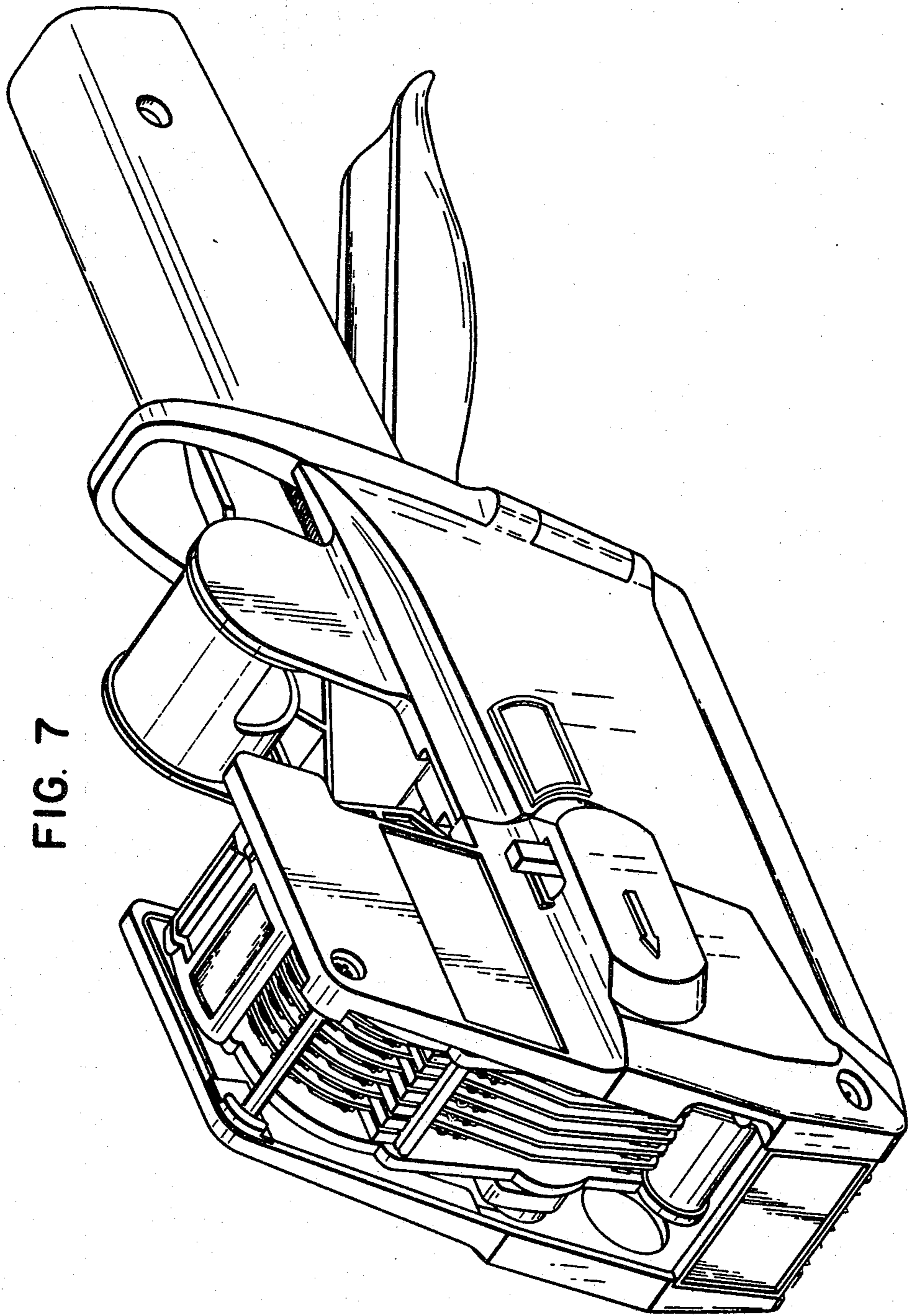


FIG. 7

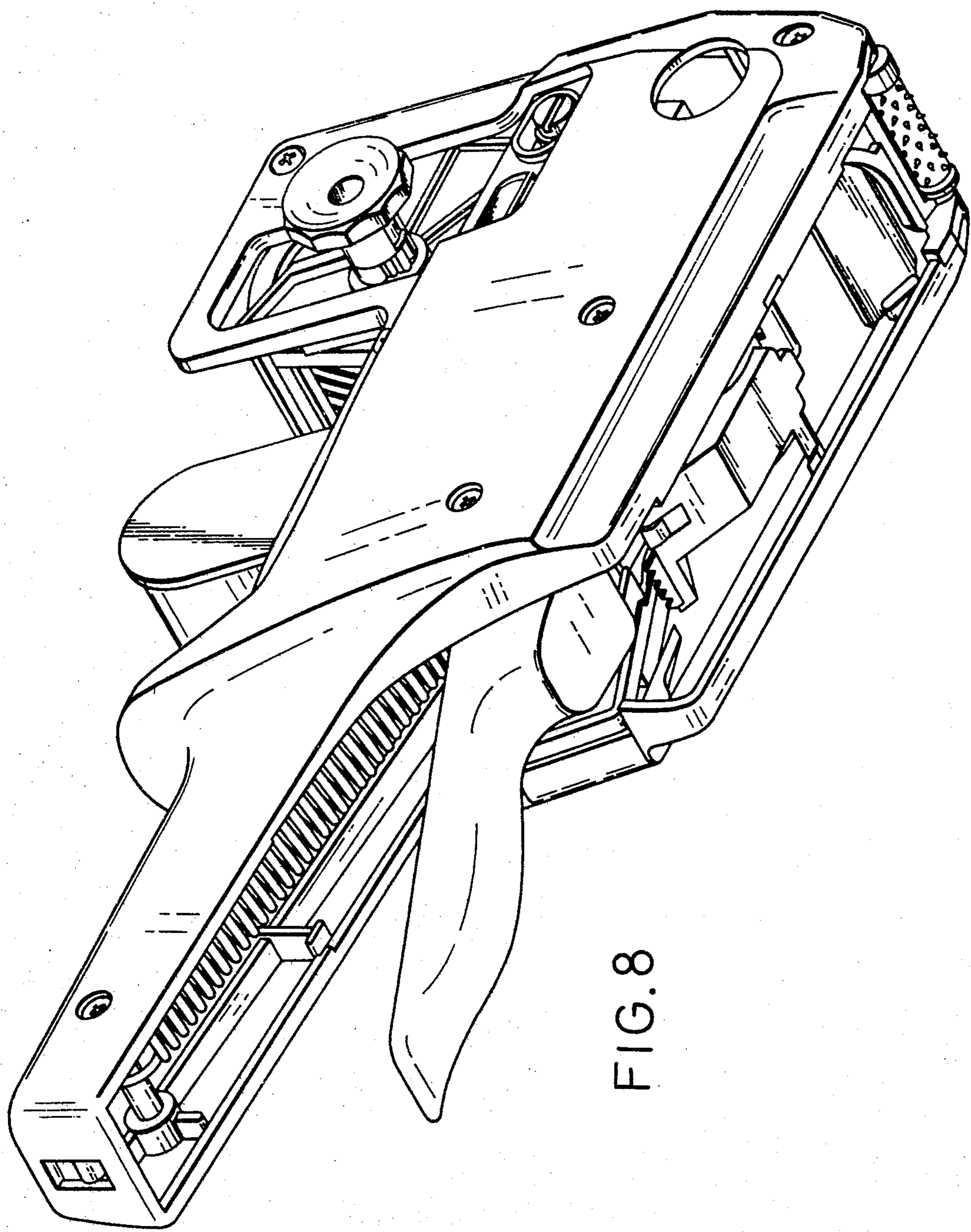


FIG. 8