

[54] TOY VEHICLE

[75] Inventor: Mark D. Boudreaux, Cincinnati, Ohio

[73] Assignee: CPG Products Corp., Minneapolis, Minn.

[**] Term: 14 Years

[21] Appl. No.: 380,160

[22] Filed: May 20, 1982

[52] U.S. Cl. D21/132; D21/87

[58] Field of Search D21/87, 88, 89, 128, D21/131, 134; D12/319, 320, 321, 343, 12; 46/74 A, 74 B, 76 R, 76 A, 79, 251

[56] References Cited

U.S. PATENT DOCUMENTS

- D. 221,166 7/1971 Gorfain D21/87
- D. 261,287 10/1981 Hilko D21/87
- D. 268,773 4/1983 Rodis-Jamero D21/87

OTHER PUBLICATIONS

Hong Kong Toys Catalog, 1980, "Multi Robot", Toy-craft Int. Ltd. Co.

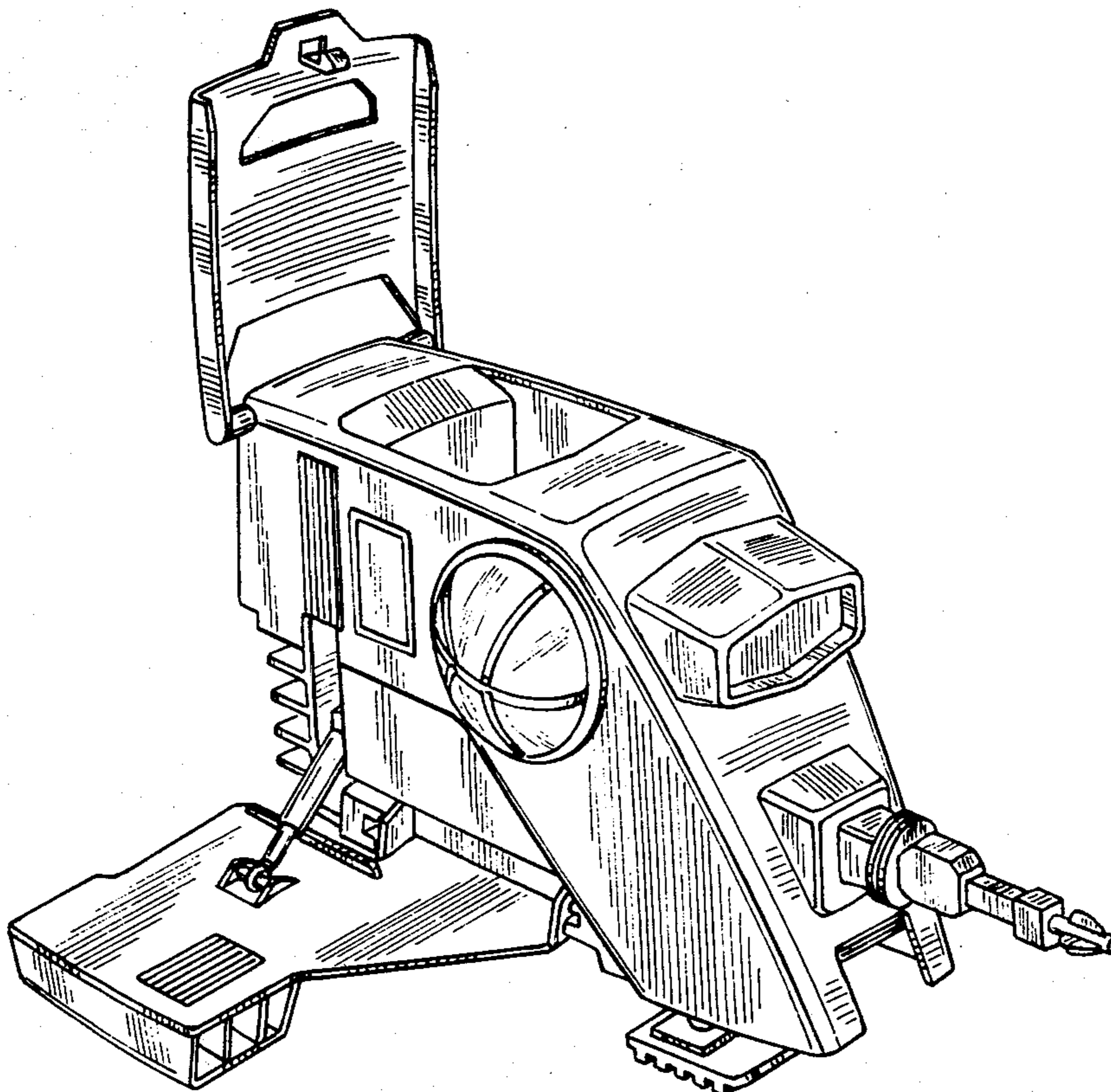
Primary Examiner—Charles A. Rademaker
Attorney, Agent, or Firm—L. MeRoy Lillehaugen; Gene O. Enockson

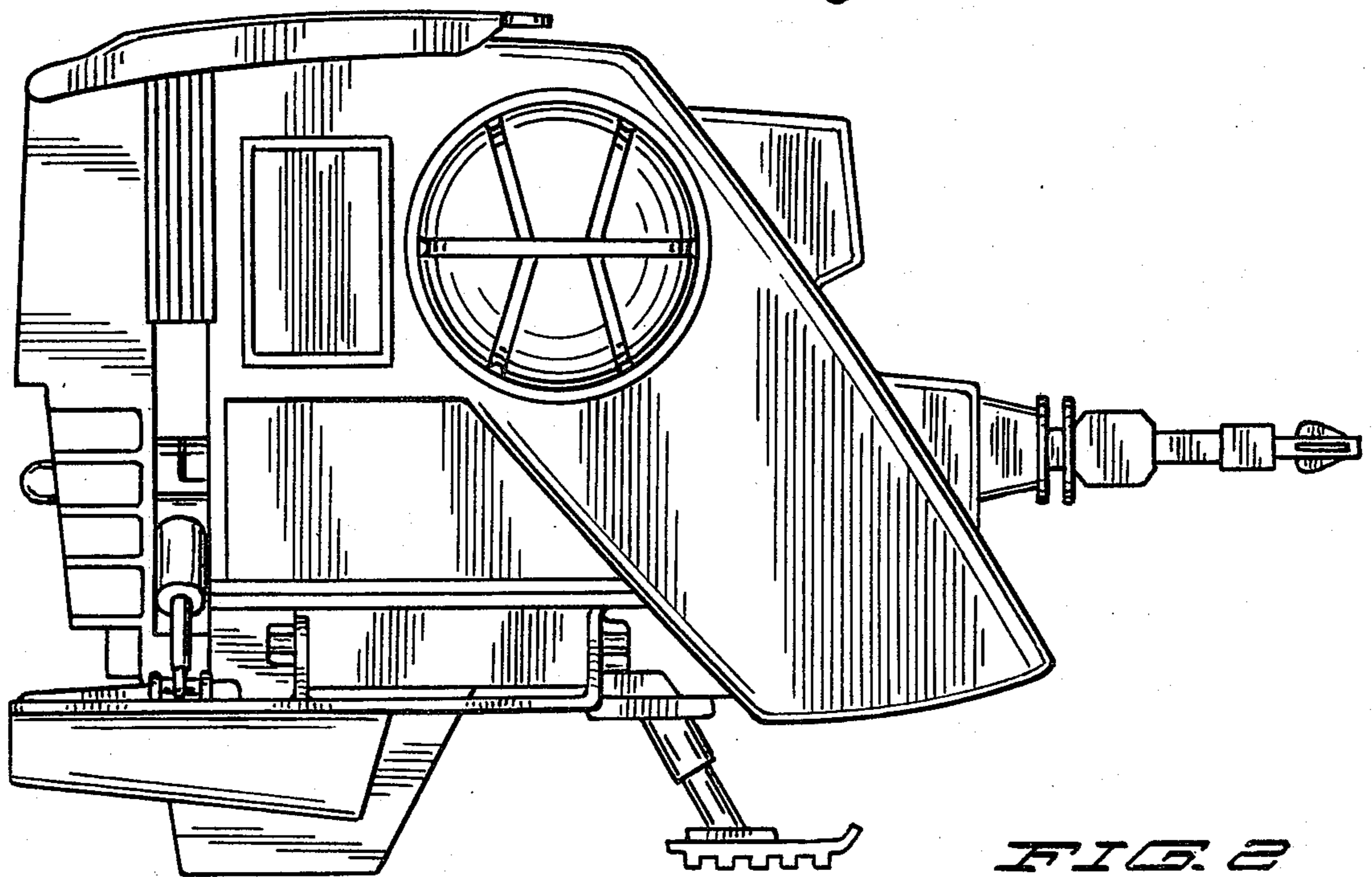
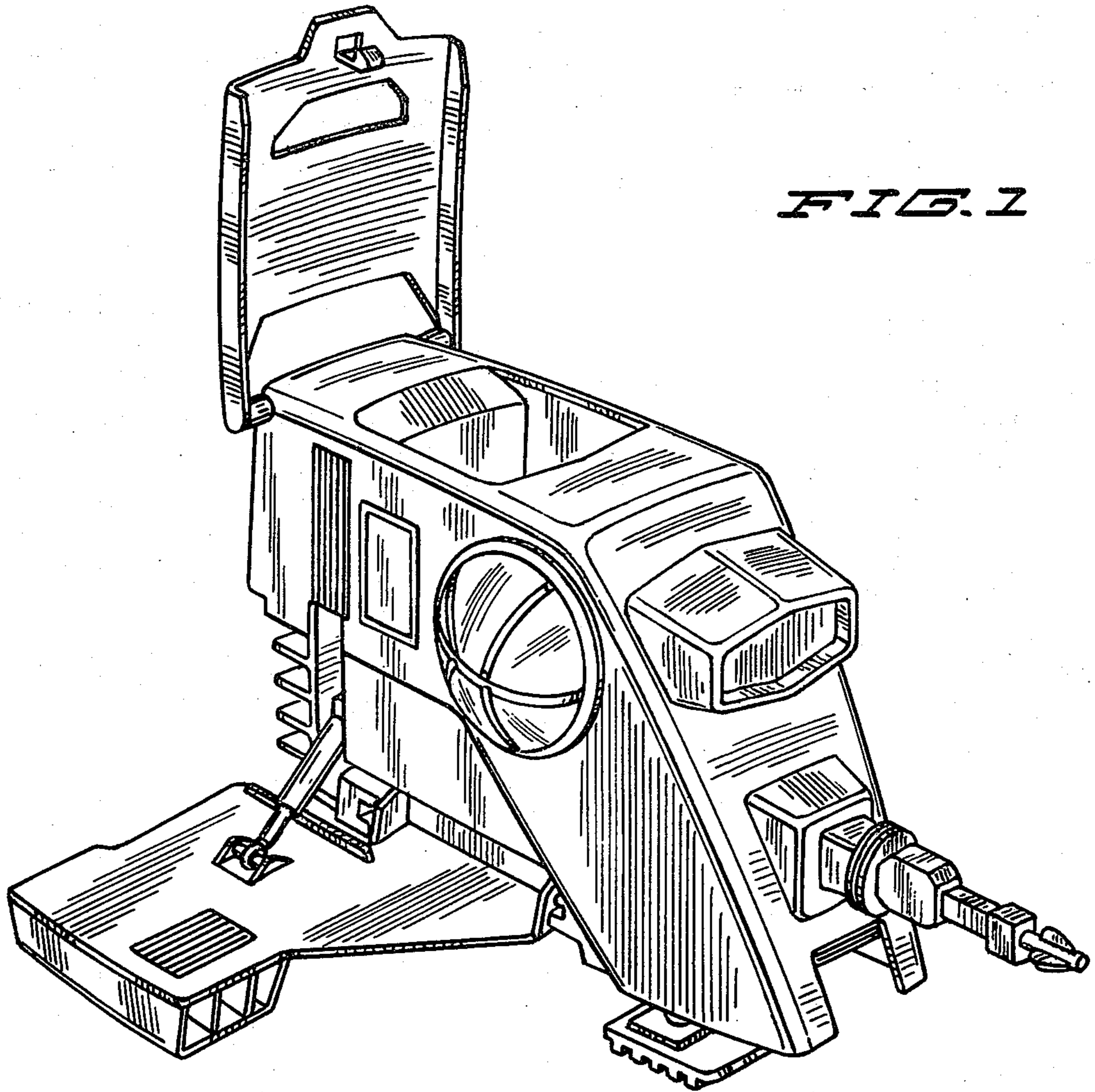
[57] CLAIM

The ornamental design for a toy vehicle, substantially as shown and described.

DESCRIPTION

FIG. 1 is a perspective view of a toy vehicle showing my new design;
 FIG. 2 is a side elevational view thereof, the side opposite being substantially a mirror image thereof;
 FIG. 3 is a top plan view thereof;
 FIG. 4 is a front elevational view thereof;
 FIG. 5 is a rear elevational view thereof;
 FIG. 6 is a bottom plan view thereof; and
 FIG. 7 is a perspective view of the toy vehicle which is similar to FIG. 1, but showing the vehicle in a slightly different condition.





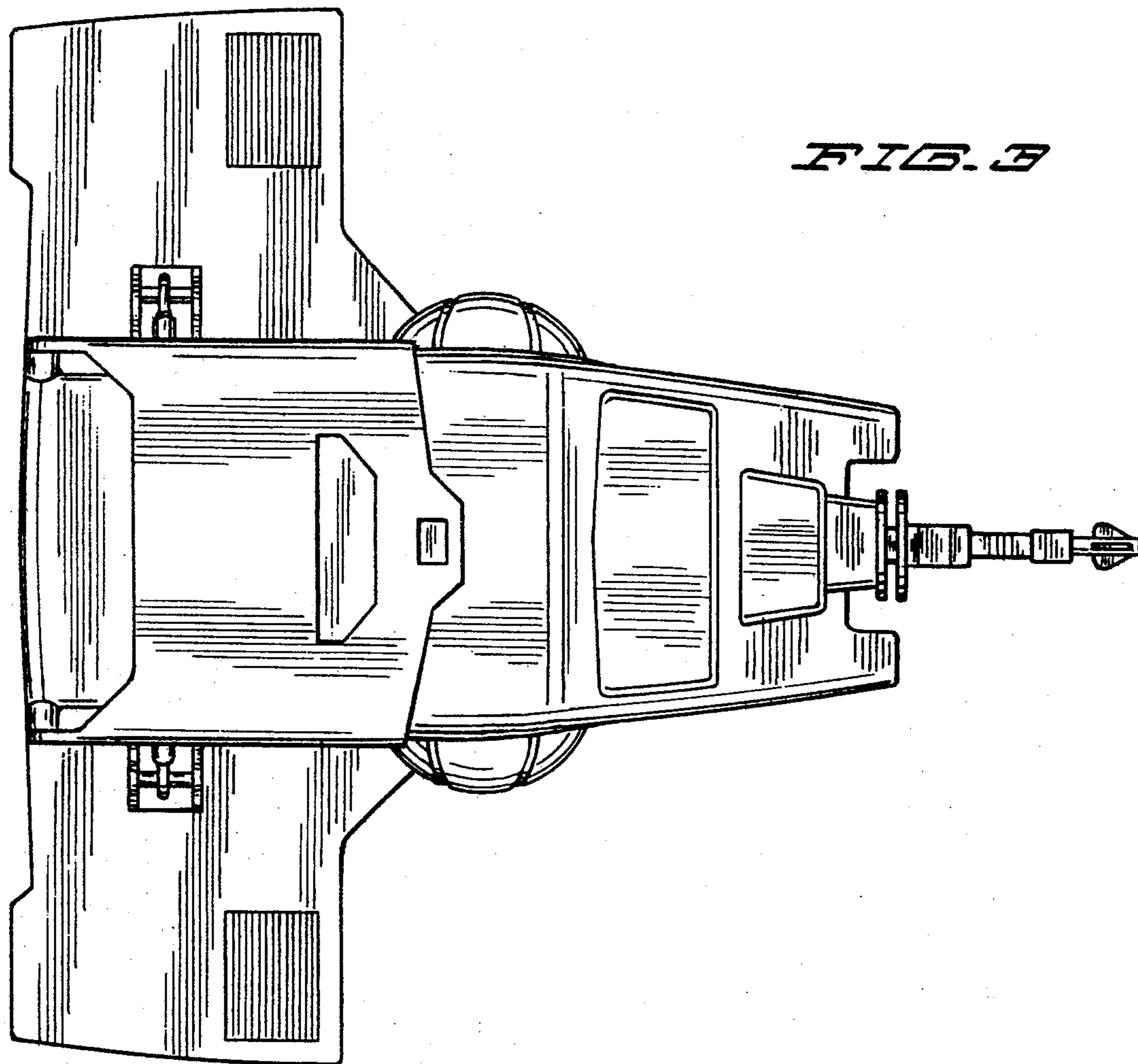


FIG. 3

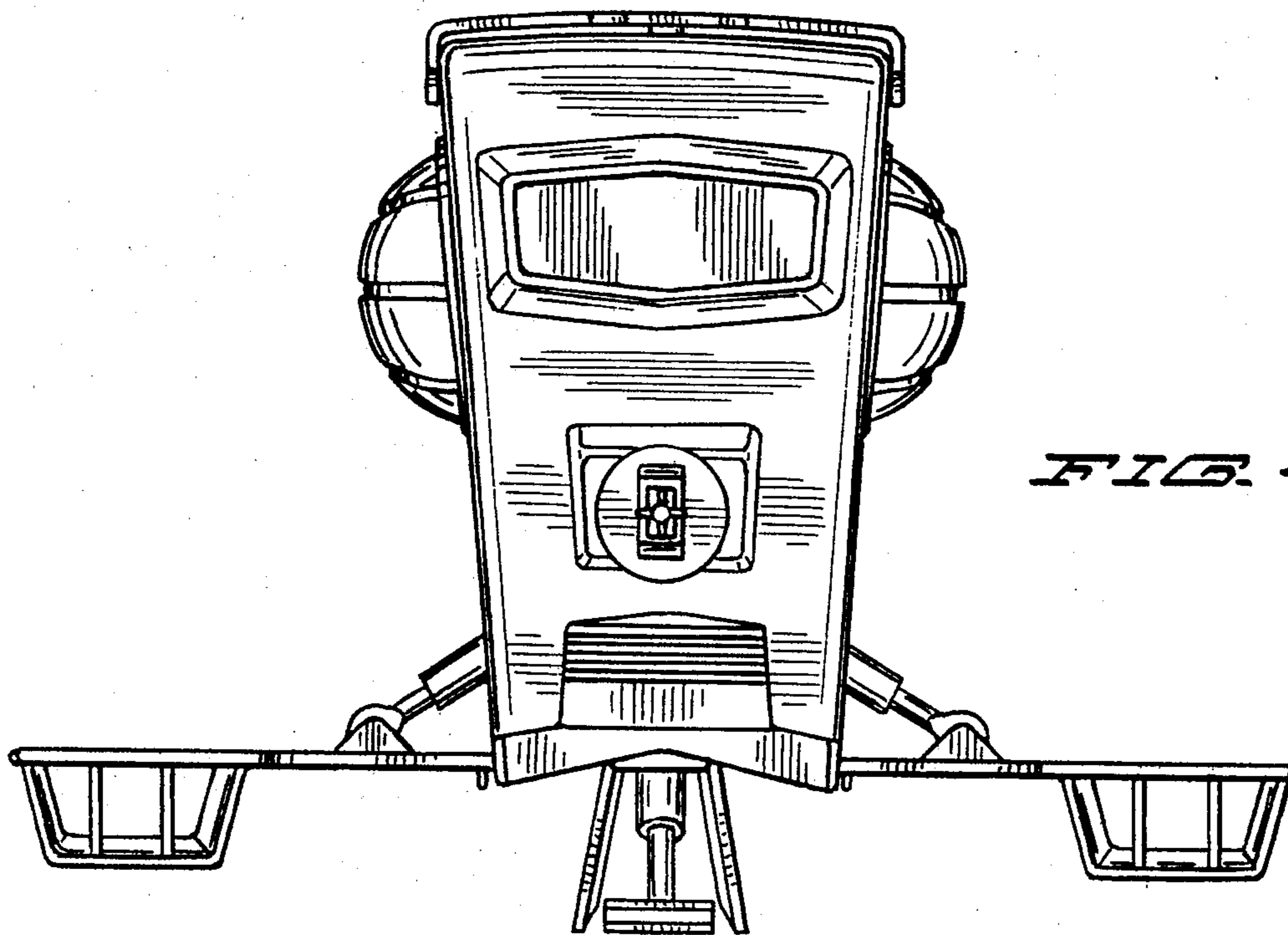
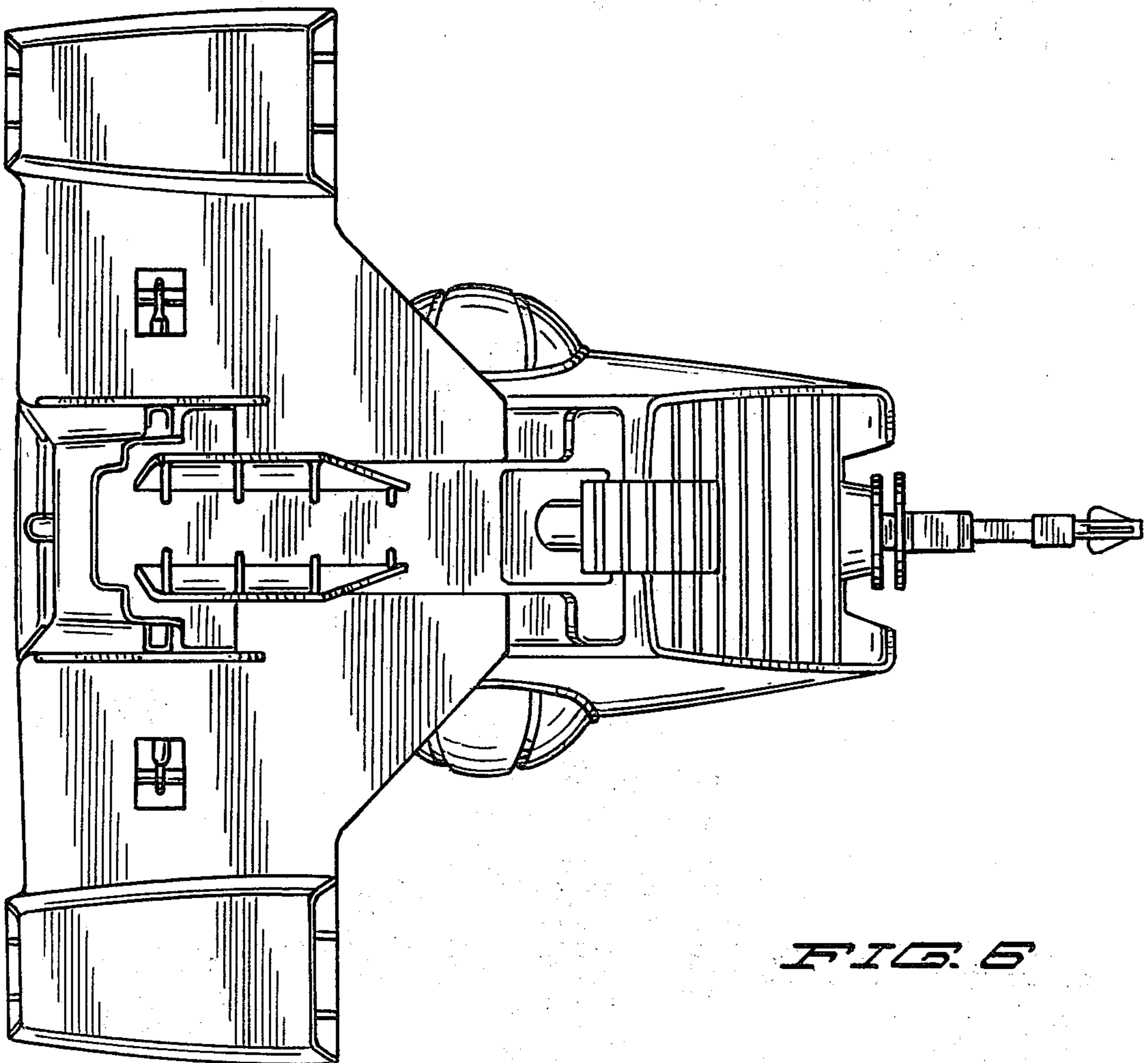
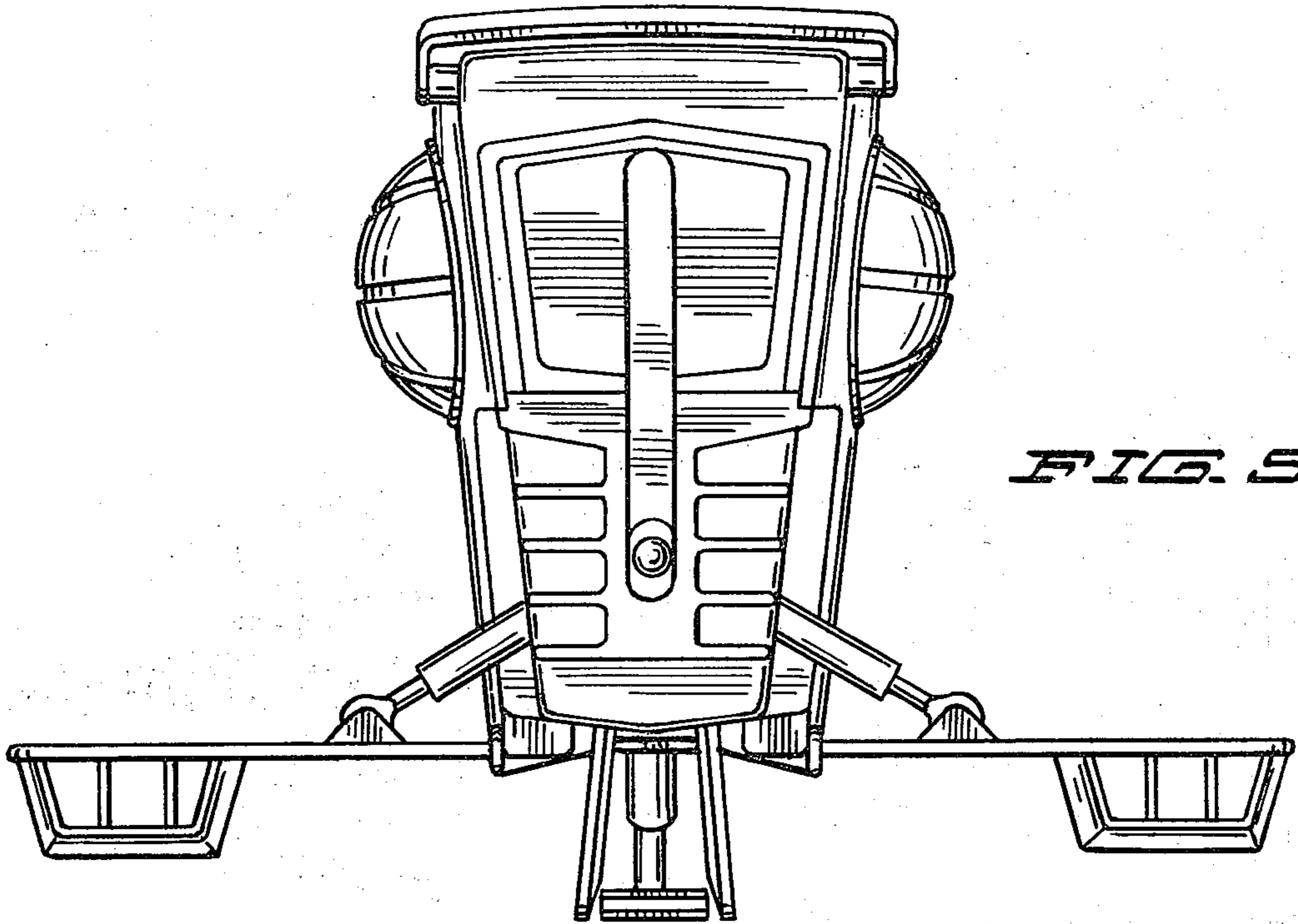


FIG. 4



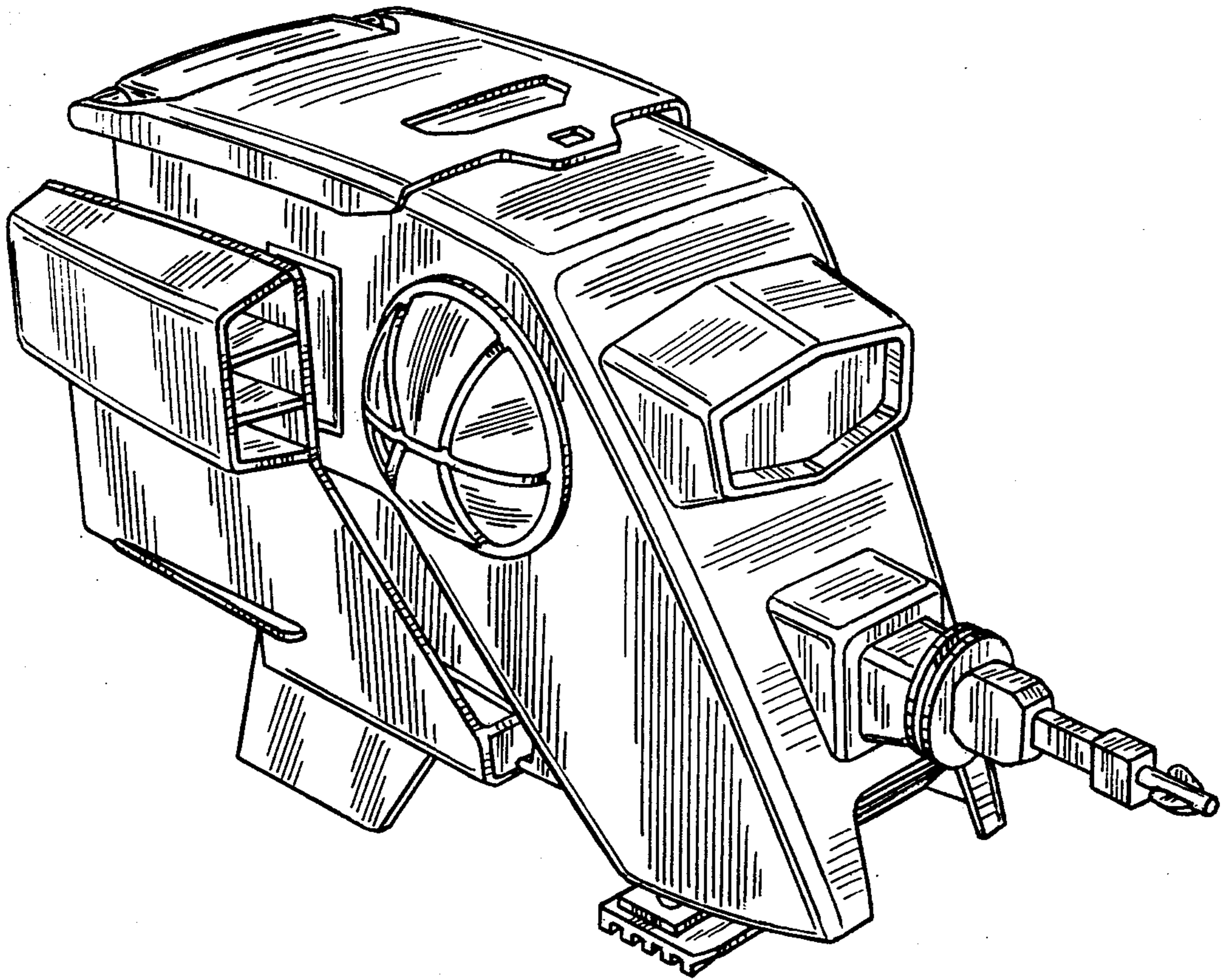


FIG. 7