

[54] **SHOWER HEAD NOZZLE SHROUD**

[75] **Inventors:** Wilbur W. Whedon, West Hartford;
Raymond T. Proulx, Wethersfield,
both of Conn.

[73] **Assignee:** Whedon Products, Inc., West
Hartford, Conn.

[*] **Notice:** The portion of the term of this patent
subsequent to Mar. 1, 1983 has been
disclaimed.

[**] **Term:** 14 Years

[21] **Appl. No.:** 454,237

[22] **Filed:** Dec. 29, 1982

Related U.S. Application Data

- [62] Division of Ser. No. 267,698, May 27, 1981.
- [52] **U.S. Cl.** D23/36
- [58] **Field of Search** D23/34-38;
239/282, 283, 310, 318, 380-383, 443-449, 499,
525, 529, 548, 551, 552, 556, 558-560, 563, 564,
567, 568, 581-583, 586-588, 590.3, 590.5

[56] **References Cited**

U.S. PATENT DOCUMENTS

- D. 186,757 11/1959 Hruby, Jr. D23/35
- D. 191,428 9/1961 Leighton D23/35
- D. 241,642 9/1976 Arpin et al. D23/35

- D. 242,396 12/1981 Whedon D23/35
- D. 268,127 3/1983 Whedon et al. D23/35
- 2,985,385 5/1961 Bowers et al. 239/587 X
- 3,722,799 3/1973 Rauh 239/443
- 4,010,899 3/1977 Heitzman 239/447 X
- 4,013,230 3/1977 Gondek 239/590.3 X
- 4,082,225 4/1978 Haynes 239/499 X
- 4,202,501 5/1980 Haynes 239/570

OTHER PUBLICATIONS

Domestic Engineering, May 1960, p. 165, "Shower head" item.

Hardware Age, Aug. 23, 1962, p. 67, top left item.
Shur-Lock Home Product Co. brochure.

Primary Examiner—James R. Largen

Attorney, Agent, or Firm—Prutzman, Kalb, Chilton & Alix

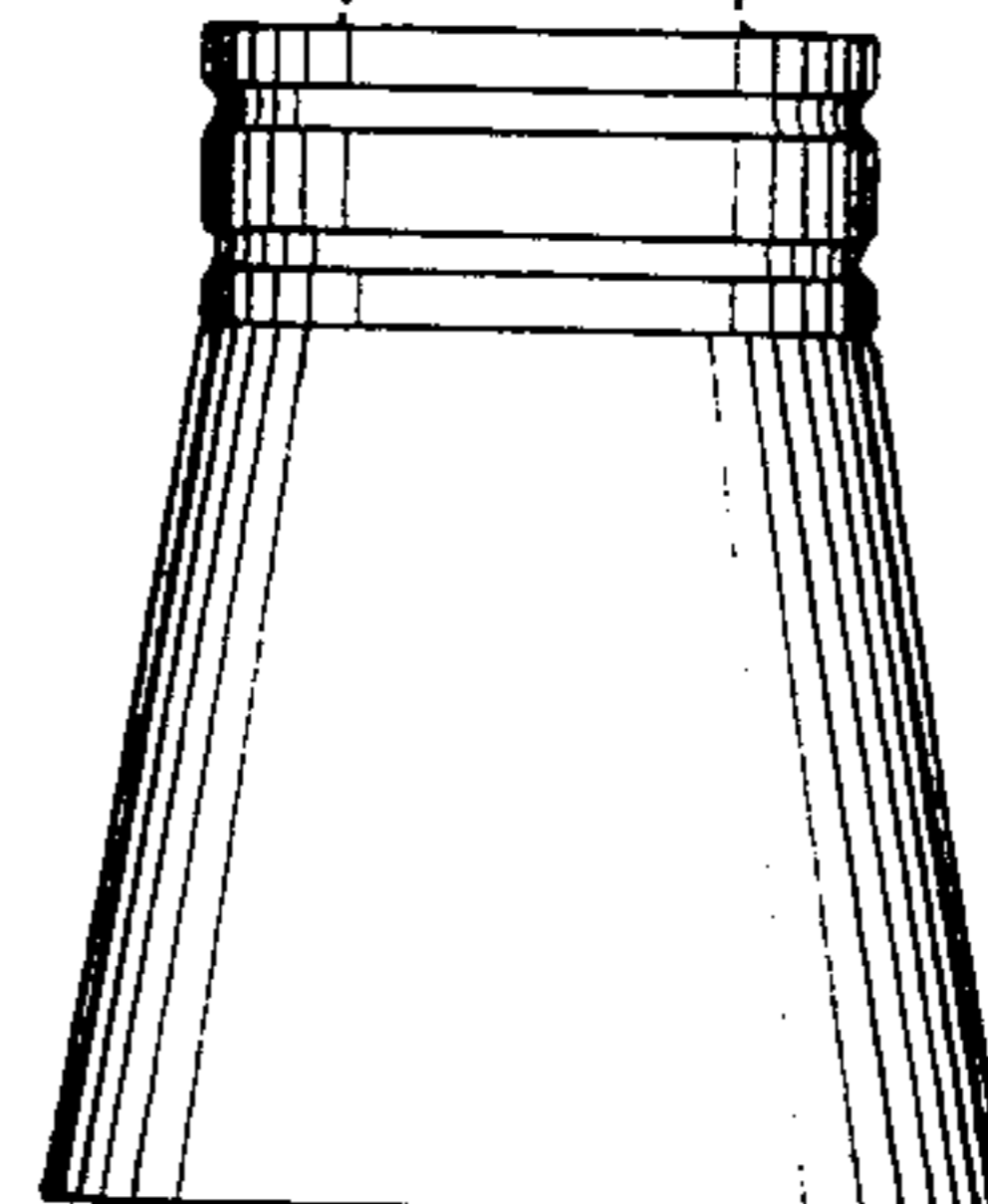
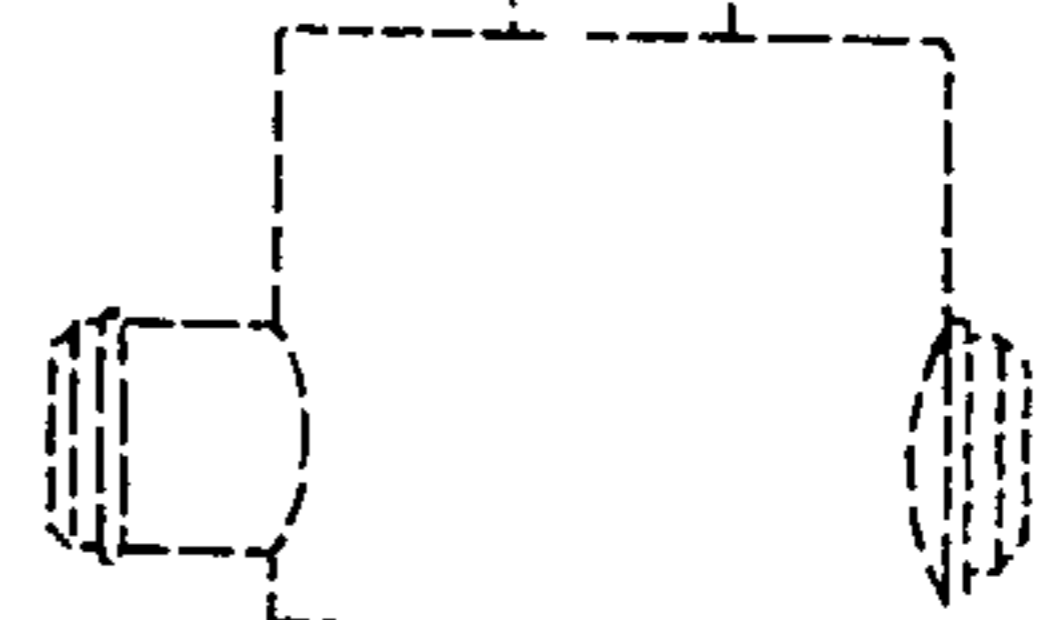
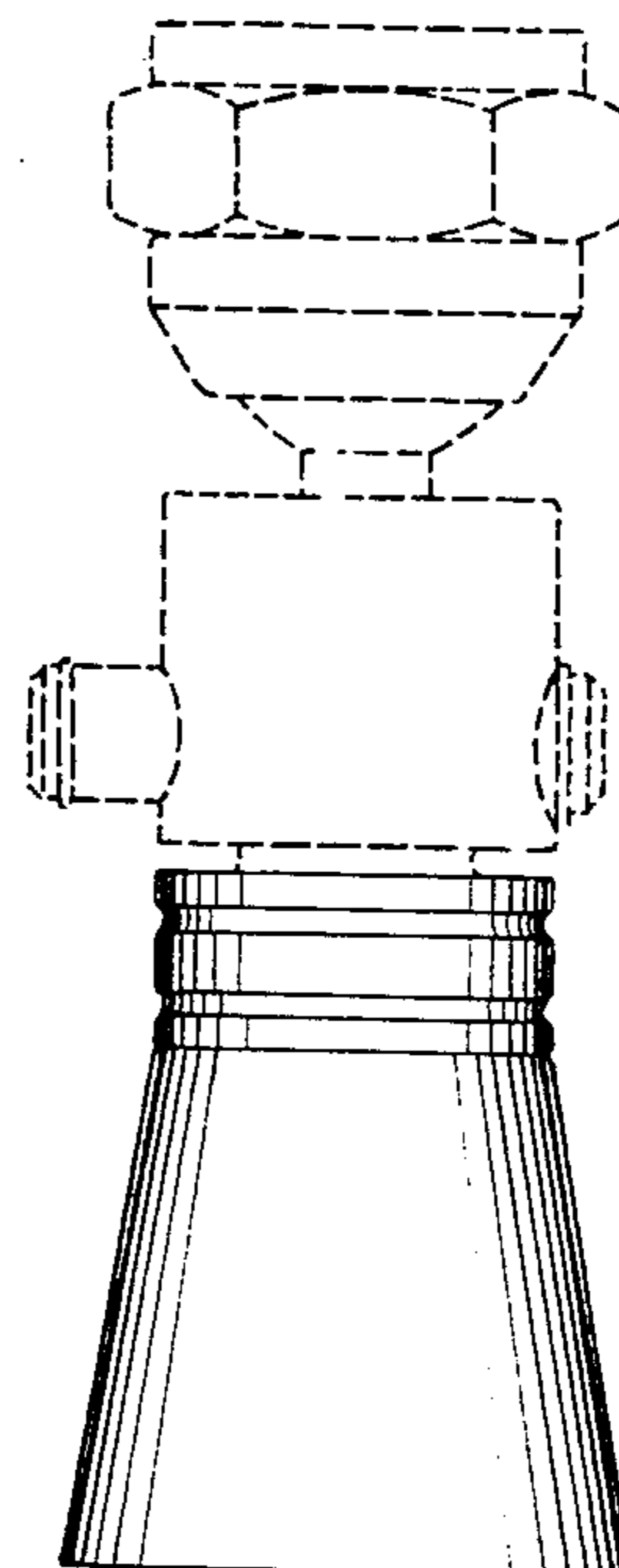
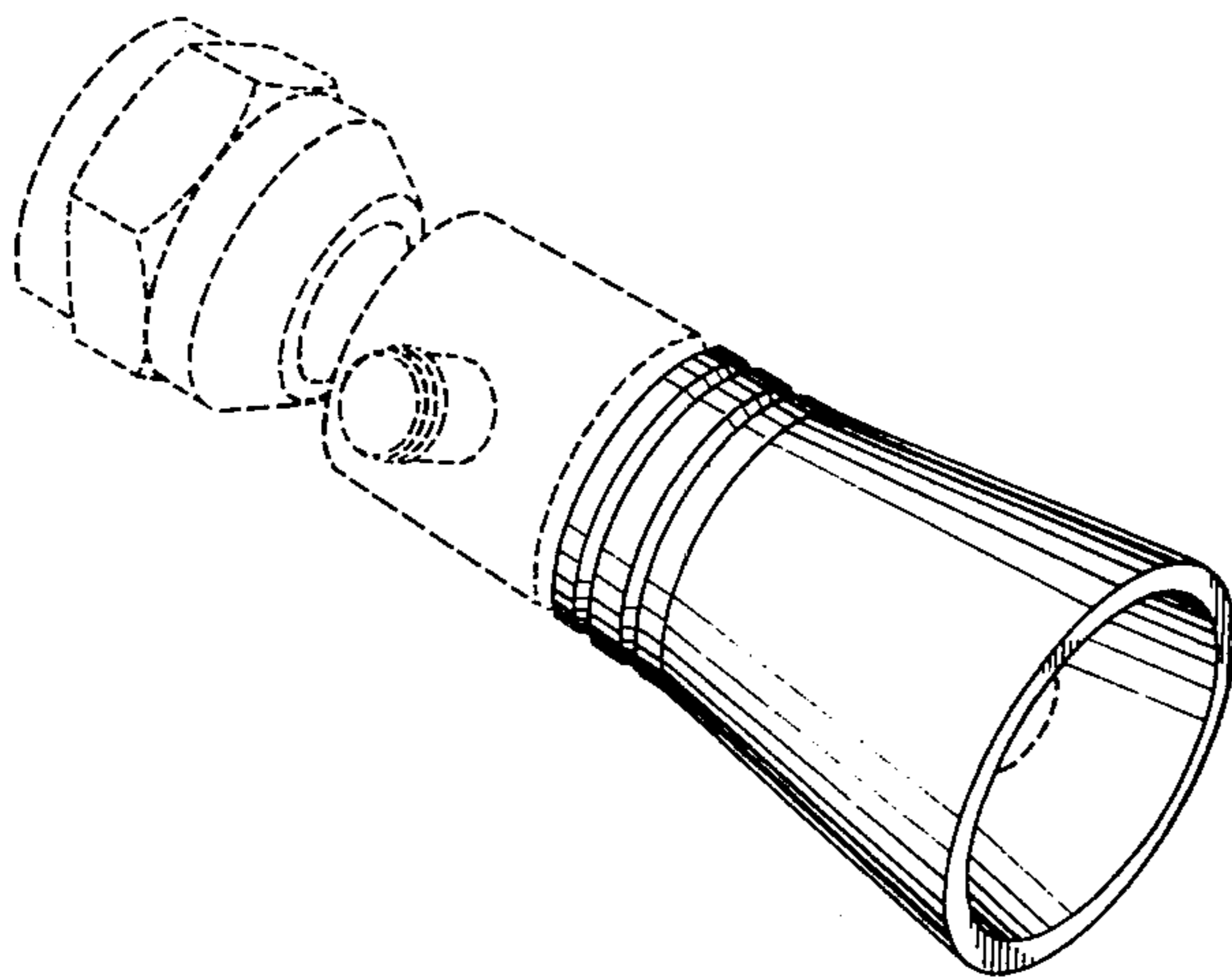
[57] **CLAIM**

The ornamental design of a shower head nozzle shroud, substantially as shown and described.

DESCRIPTION

FIG. 1 is a side elevational view of a shower head nozzle shroud showing our new design; FIG. 2 is a top plan view thereof; FIG. 3 is a bottom plan view thereof; and FIG. 4 is an isometric view taken from the bottom thereof.

The broken line representation of a shower head in FIGS. 1, 2, 3 and 4 is for purposes of illustration only.



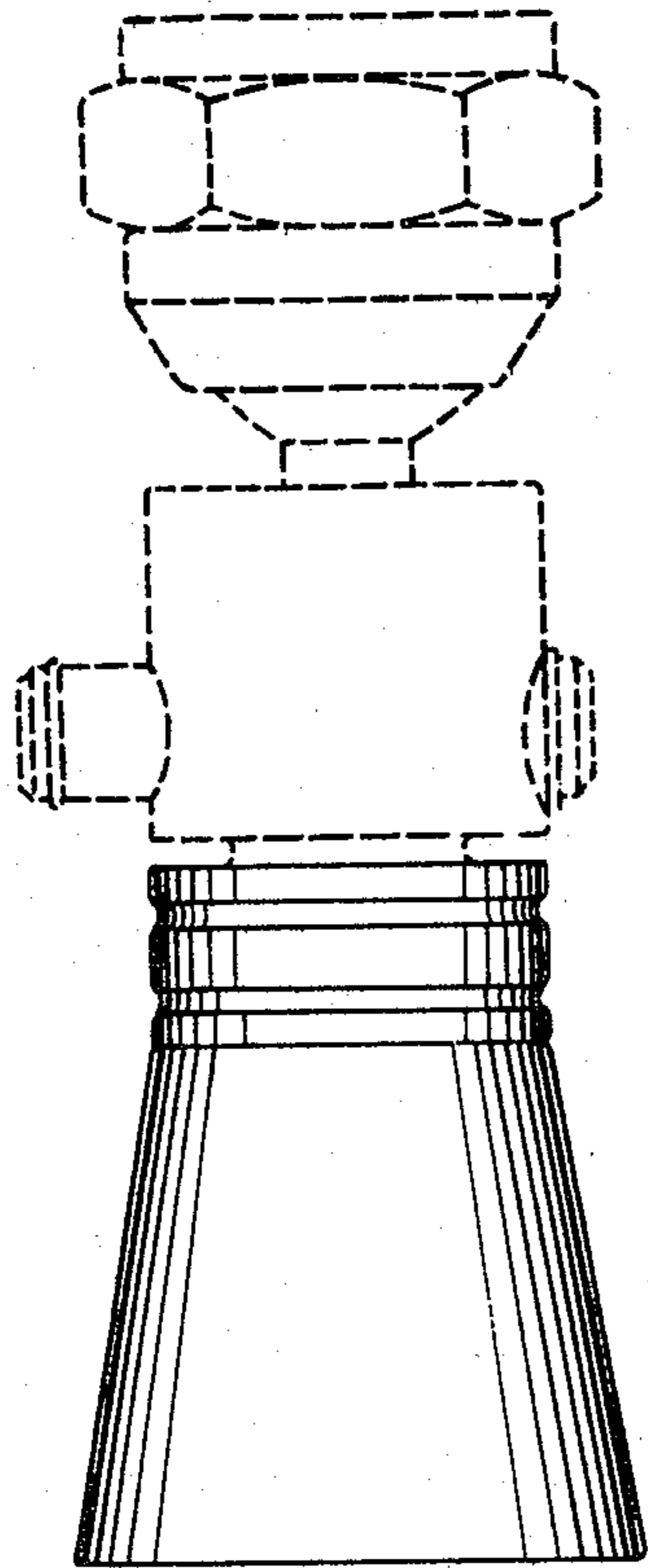


FIG. 1

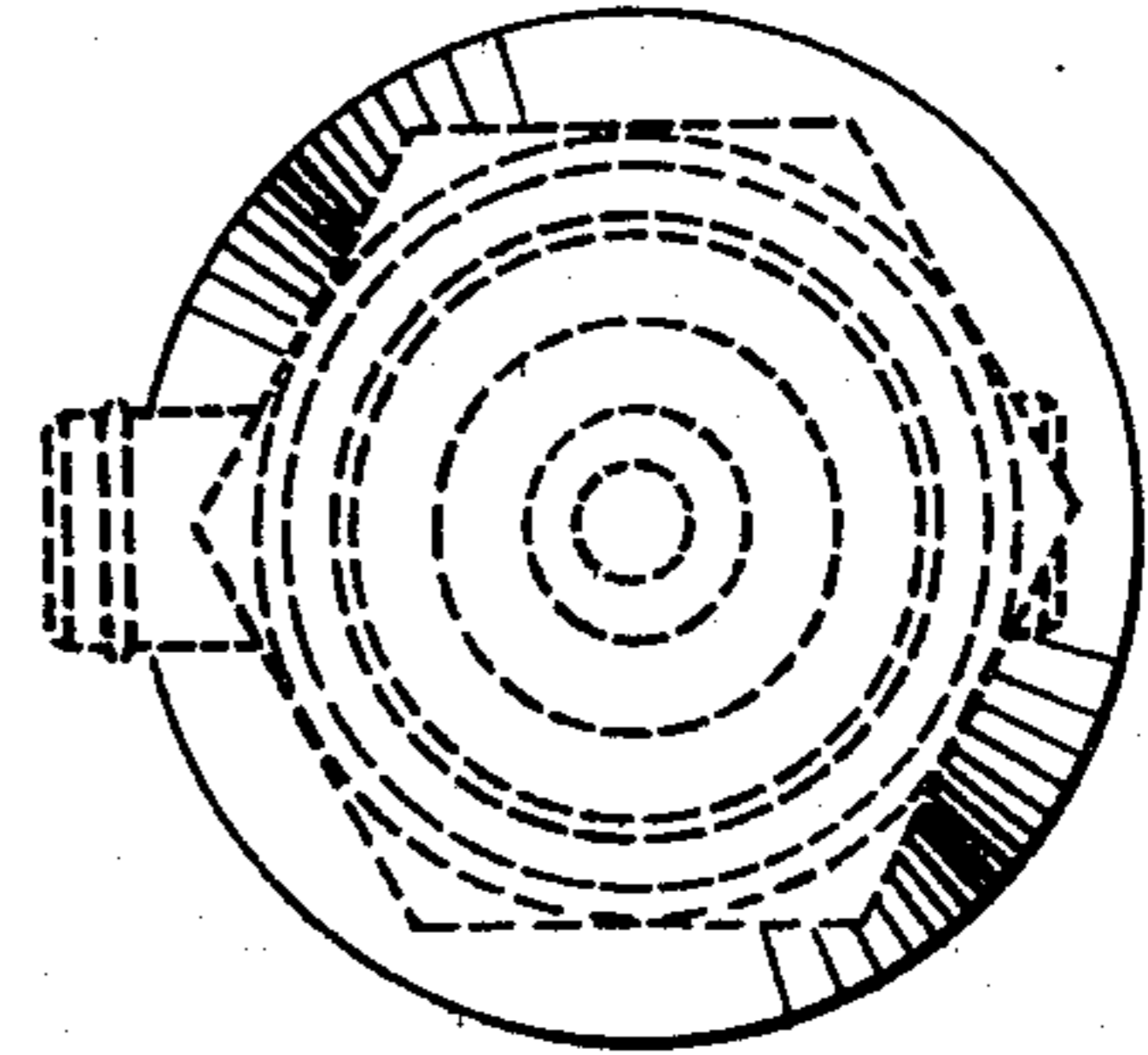


FIG. 2

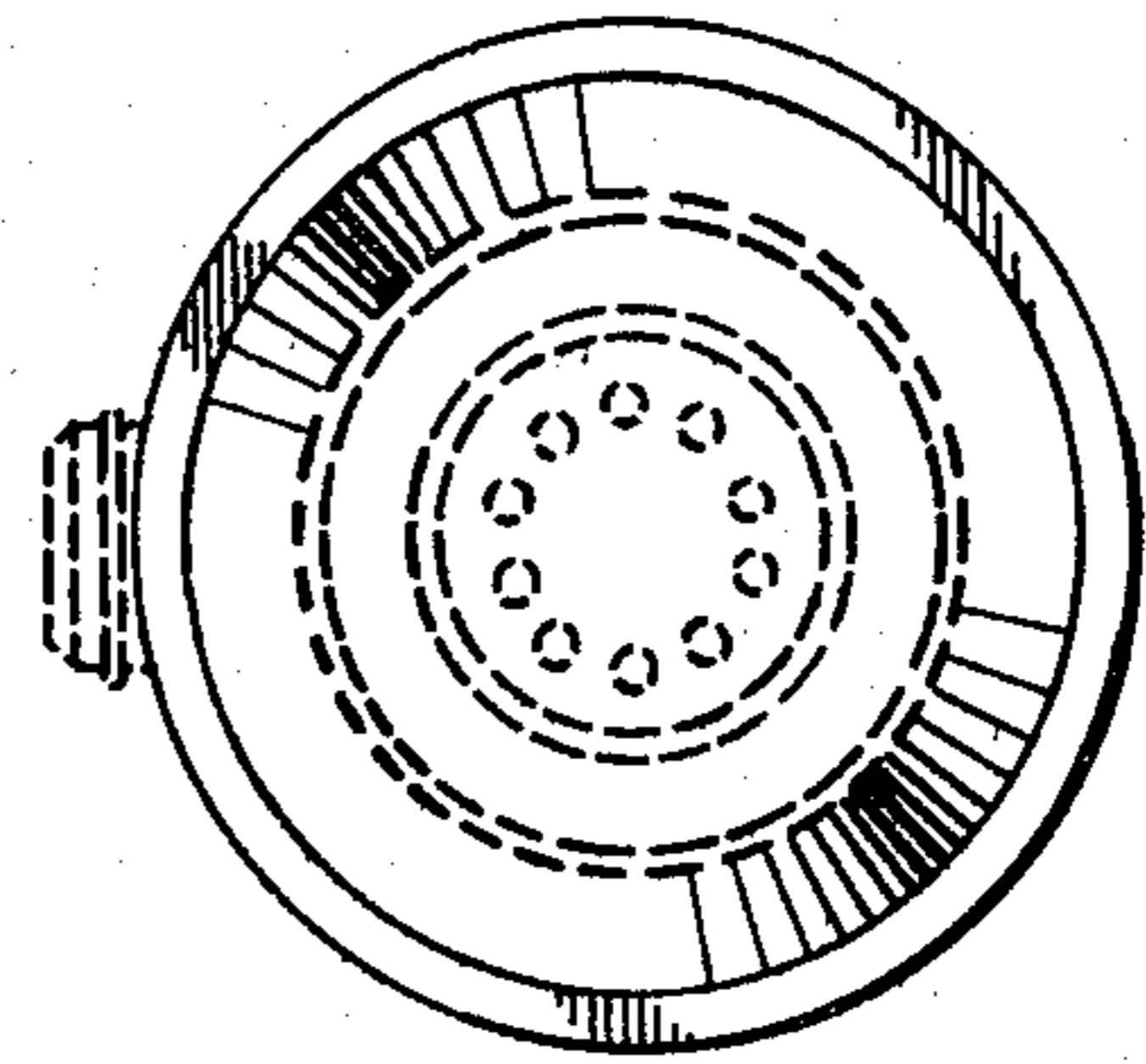


FIG. 3

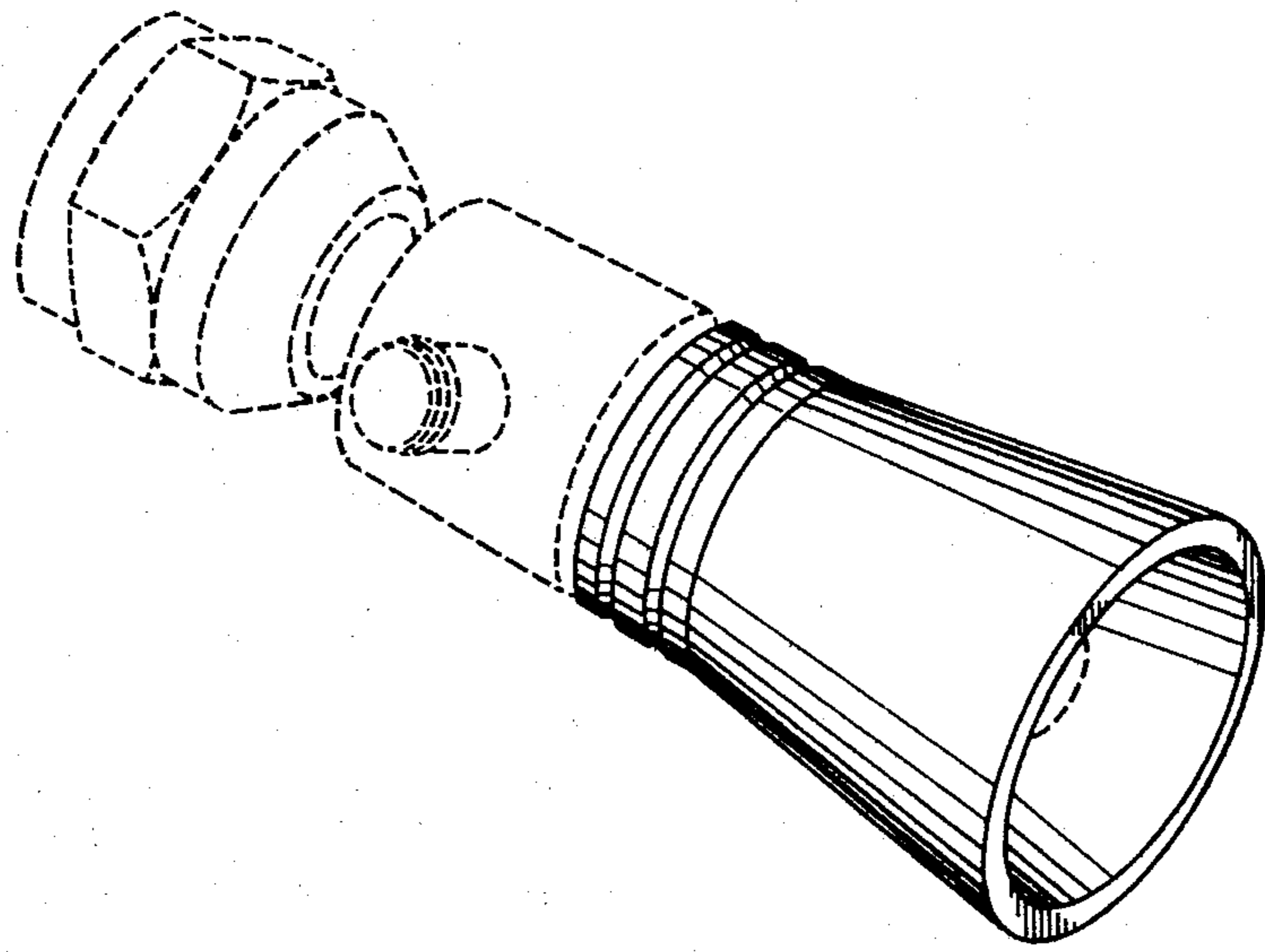


FIG. 4

UNITED STATES PATENT AND TRADEMARK OFFICE
CERTIFICATE OF CORRECTION

PATENT NO. : Des. 274,168
DATED : Jun. 5, 1984
INVENTOR(S) : Wilbur W. Whedon

It is certified that error appears in the above-identified patent and that said Letters Patent are hereby corrected as shown below:

Correct the date in the terminal disclaimer on the title page from "Mar. 1, 1983" to --Mar. 1, 1997--.

Signed and Sealed this

Sixth Day of August 1985

[SEAL]

Attest:

DONALD J. QUIGG

Attesting Officer

Acting Commissioner of Patents and Trademarks