

[54] TOY VEHICLE

[75] Inventor: Mark D. Duennes, New Baltimore, Mich.

[73] Assignee: CPG Products Corp., Minneapolis, Minn.

[\*\*] Term: 14 Years

[21] Appl. No.: 331,434

[22] Filed: Dec. 16, 1981

[52] U.S. Cl. .... D21/134; D21/87

[58] Field of Search ..... D21/87, 88, 89, 128, D21/131, 134; D12/319, 320, 321, 343, 12; 46/74 A, 74 B, 76 R, 76 A, 79, 251

[56] References Cited

U.S. PATENT DOCUMENTS

- D. 263,727 4/1982 Probert ..... D21/87
- D. 263,856 4/1982 Probert ..... D21/87

OTHER PUBLICATIONS

Hong Kong Enterprize, 1980, item 666, "Galactic Rocket Car", Sungold Mfg. Co. Ltd.

Hong Kong Toys Catalog, 1980, "Multi Robot", Toy-craft Int., Ltd. Co.

Primary Examiner—Charles A. Rademaker

Attorney, Agent, or Firm—L. MeRoy Lillehaugen; Gene O. Enockson

[57] CLAIM

The ornamental design for a toy vehicle, substantially as shown and described.

DESCRIPTION

FIG. 1 is a perspective view of a toy vehicle showing my new design;

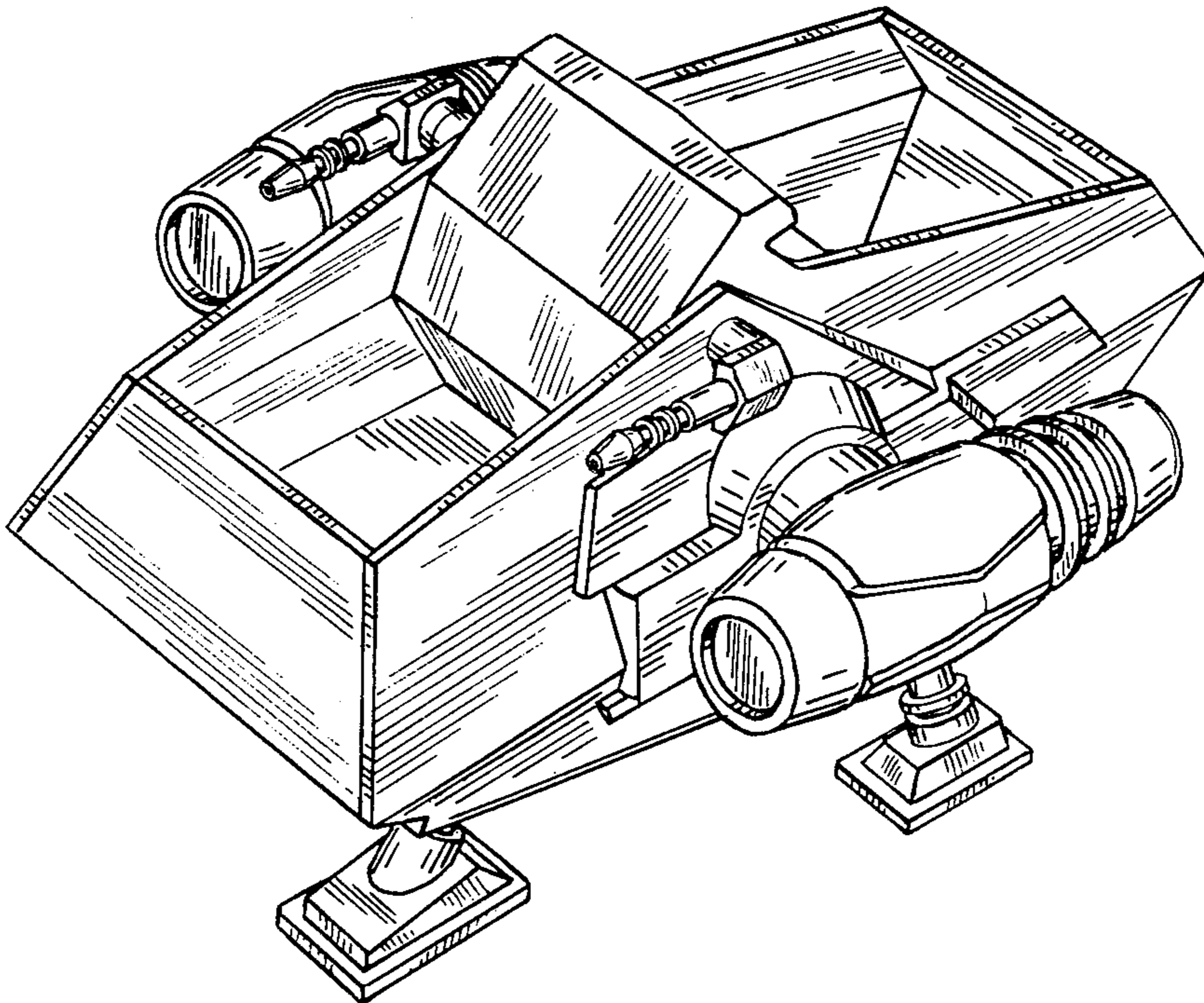
FIG. 2 is a top plan view thereof;

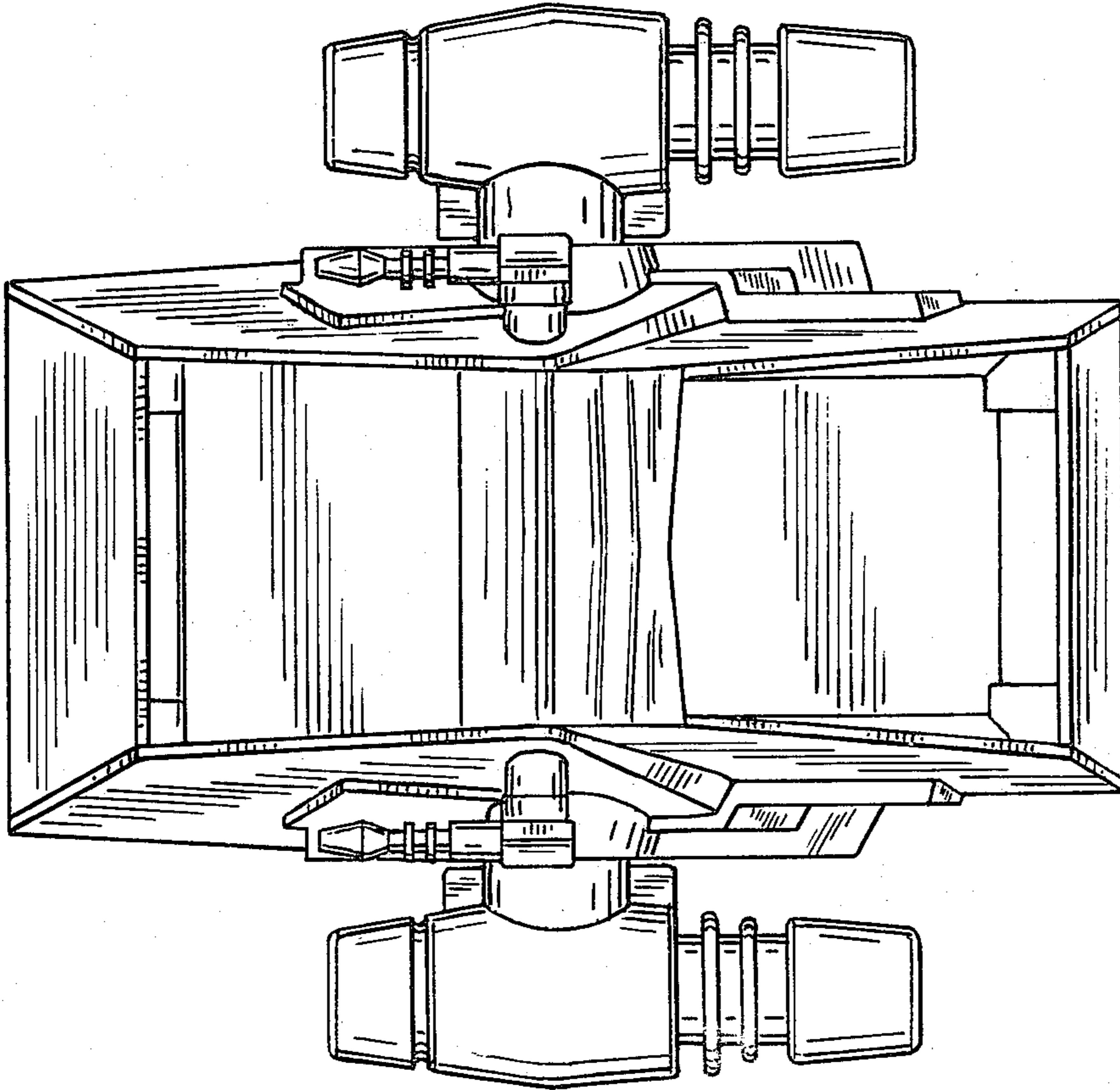
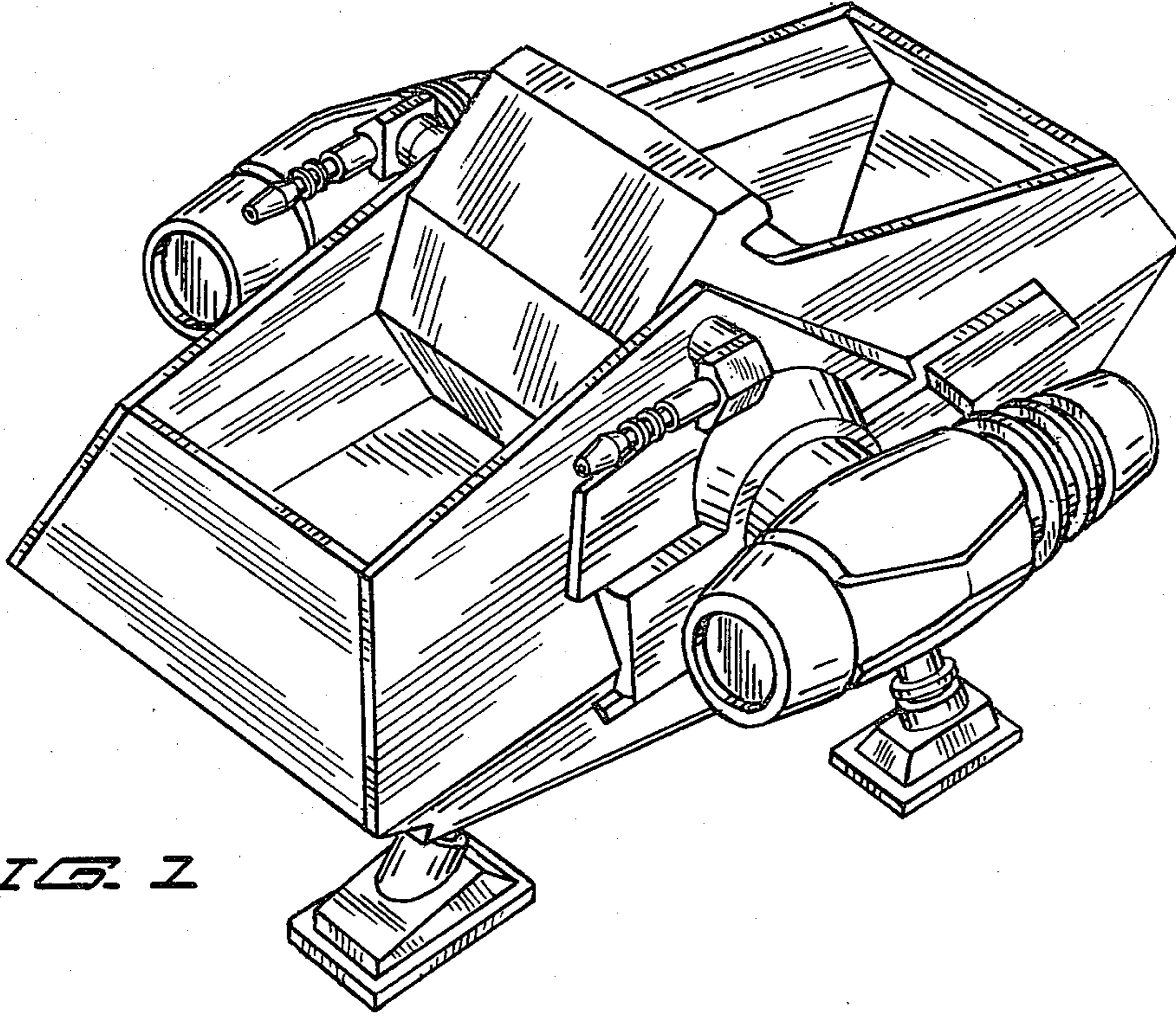
FIG. 3 is a side elevational view thereof, the side opposite being substantially a mirror image thereof;

FIG. 4 is a bottom plan view thereof;

FIG. 5 is a front elevational view thereof; and

FIG. 6 is a rear elevational view thereof.





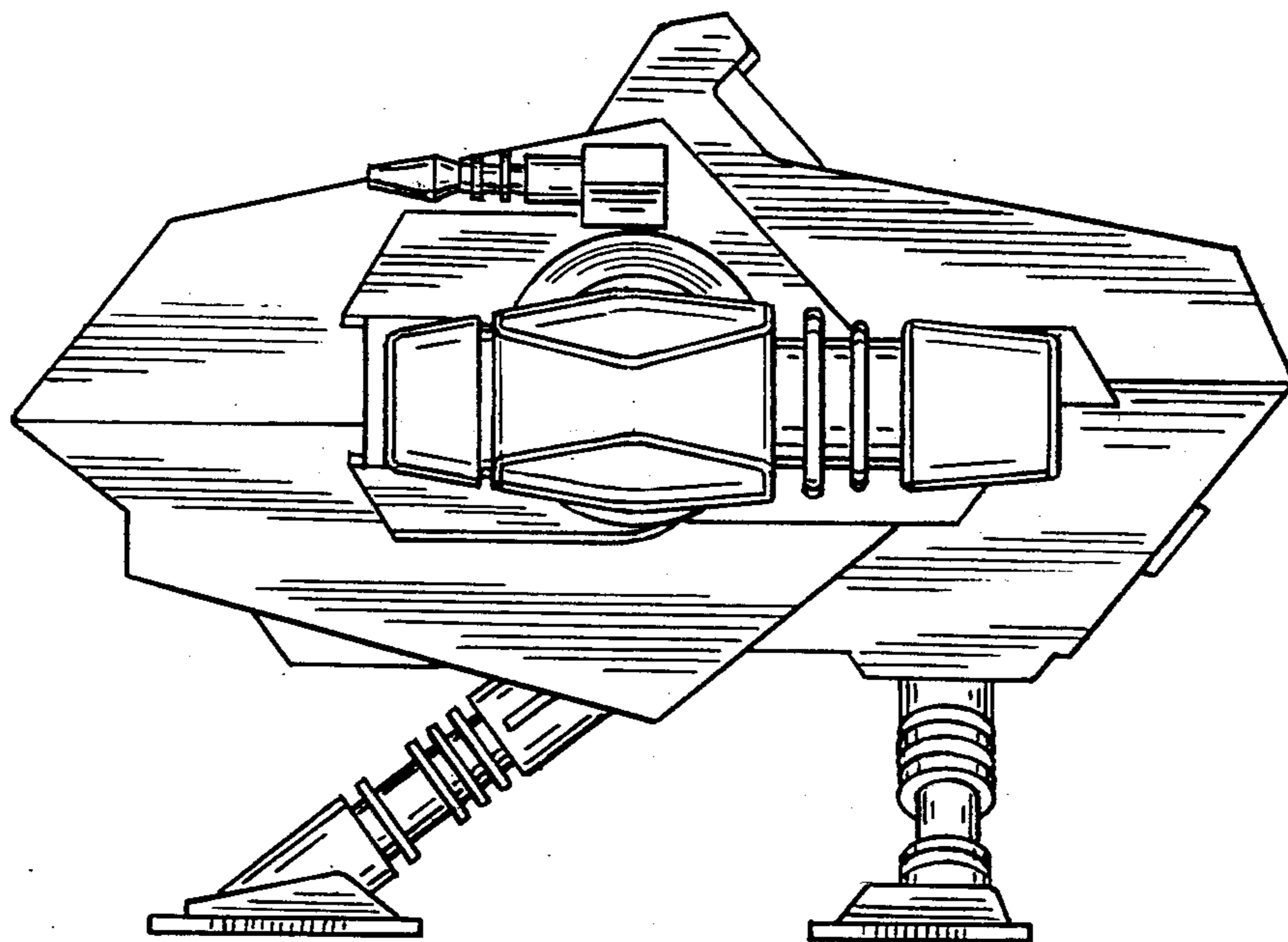


FIG. 3

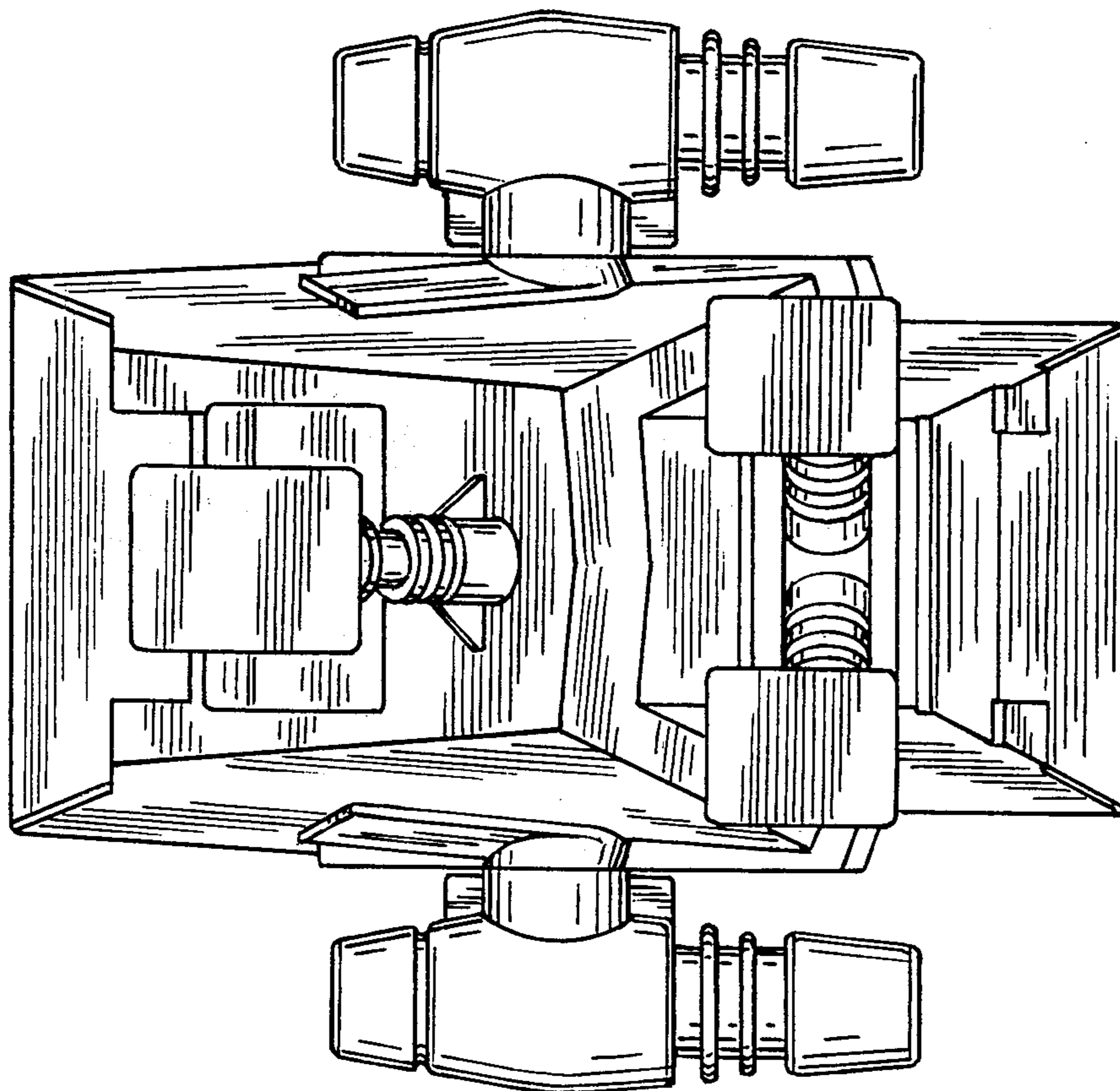
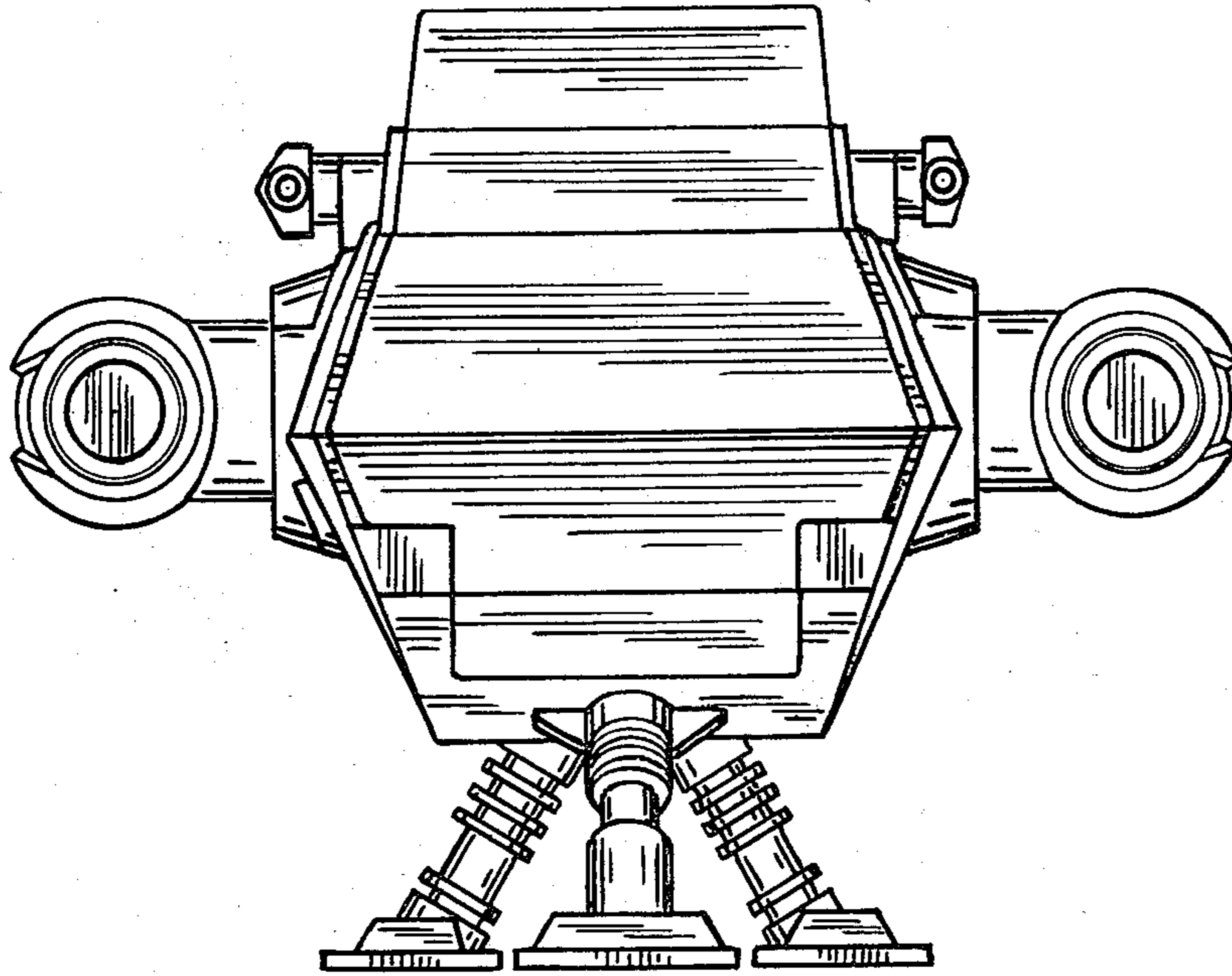
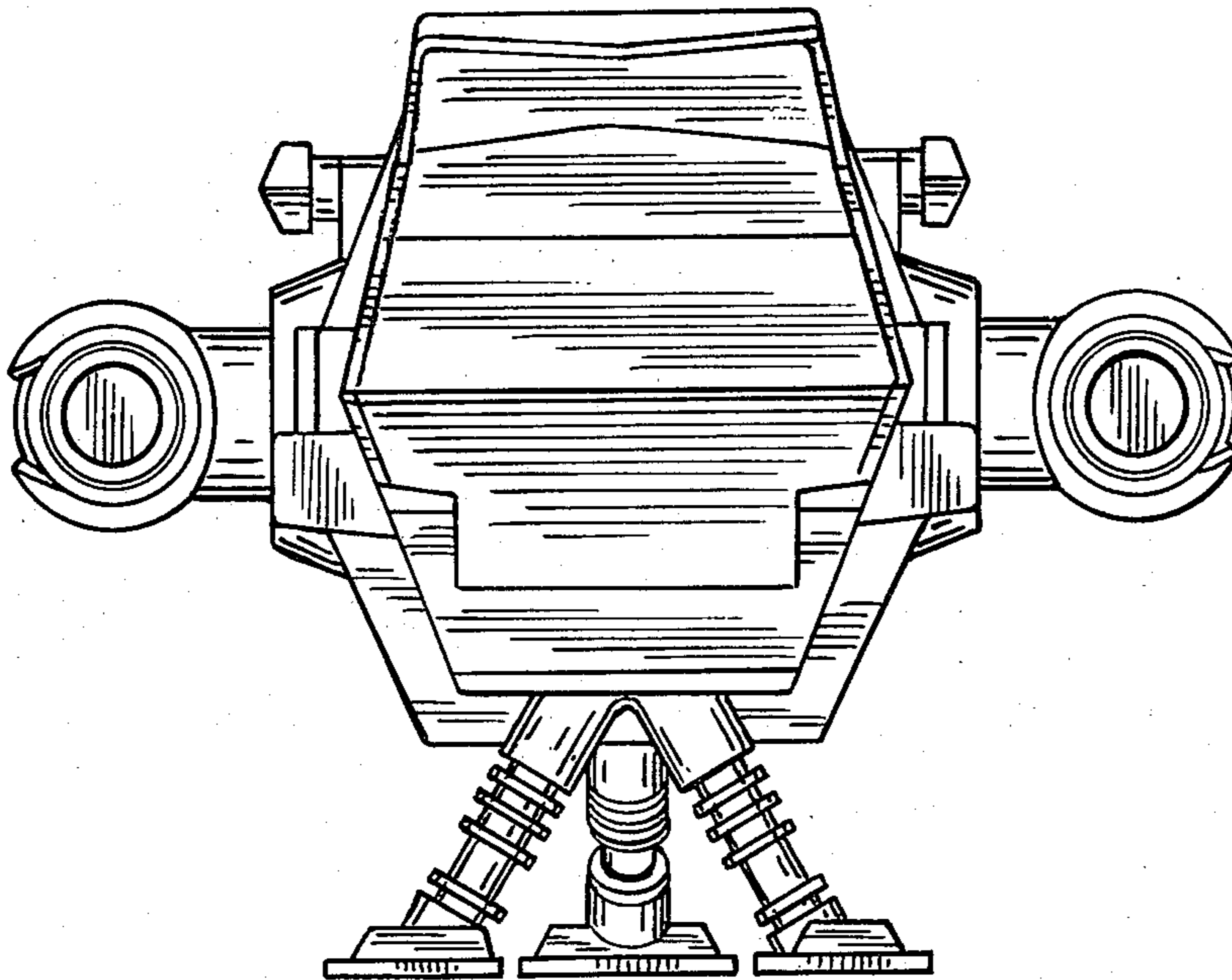


FIG. 4



*FIG. 5*



*FIG. 6*