

[54] **AUTOMOBILE FOG LAMP GUARD**

[76] Inventor: **Helmut Habicht**, 15 Royal Park Ter., Hillsdale, N.J. 07642

[**] Term: **14 Years**

[21] Appl. No.: **373,227**

[22] Filed: **Apr. 29, 1982**

[52] U.S. Cl. **D26/139**

[58] Field of Search **D26/28, 34, 35, 36, D26/118, 119, 138, 139, 140; 362/61, 64, 72, 80, 82, 83, 344, 359, 376; 340/83, 84, 93-97, 87**

3,828,178 8/1974 Bickel D26/28 X
 4,058,720 11/1977 Renfrow 362/82
 4,222,092 9/1980 Bray 362/80

Primary Examiner—Susan J. Lucas
Attorney, Agent, or Firm—Anthony F. Cuoco

[57] **CLAIM**

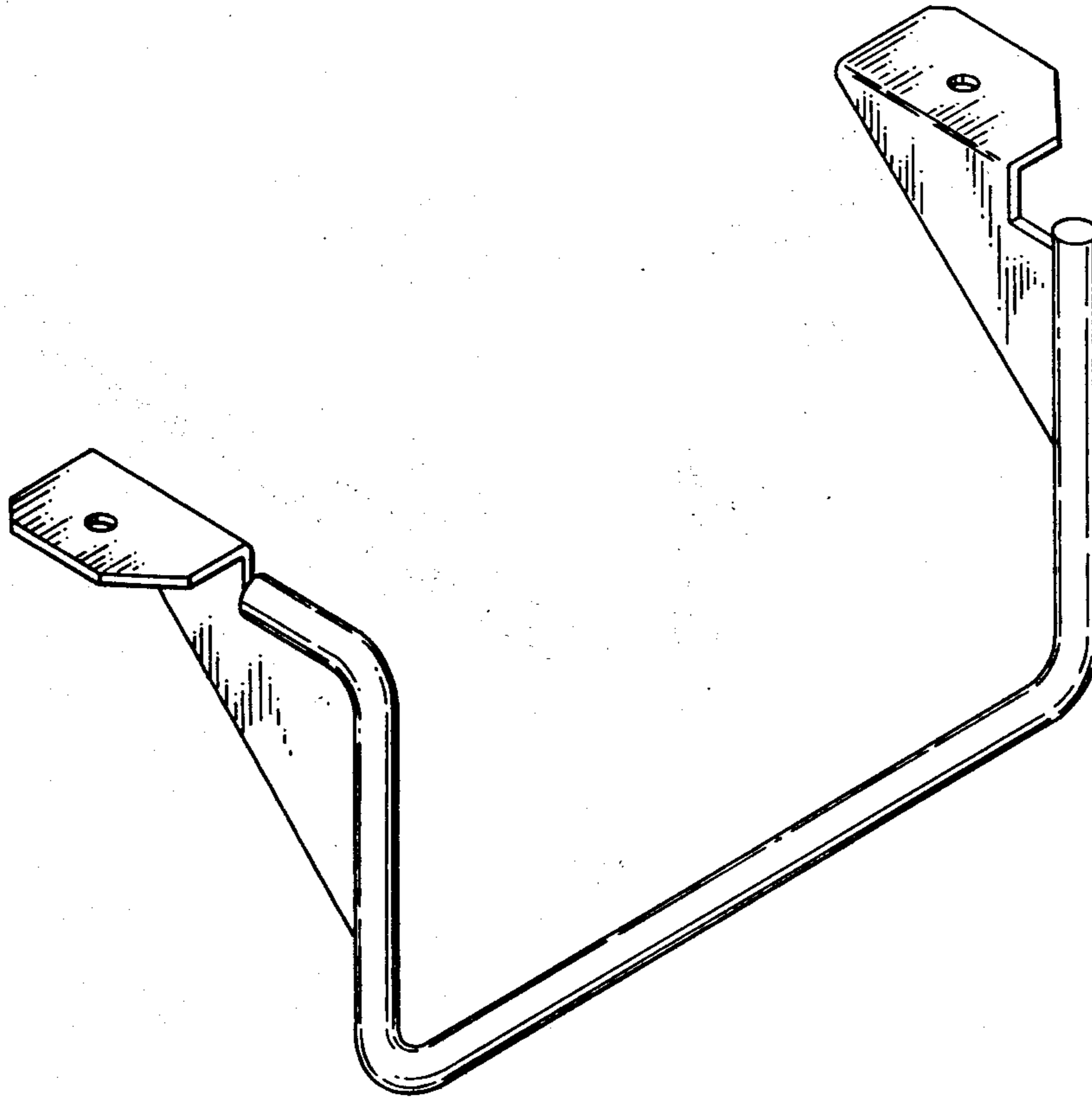
The ornamental design for an automobile fog lamp guard, as shown and described.

DESCRIPTION

FIG. 1 is a pictorial view of an automobile fog lamp guard showing my new design;
 FIG. 2 is a left side elevational view thereof;
 FIG. 3 is a right side elevational view thereof;
 FIG. 4 is a top plan view thereof;
 FIG. 5 is a front elevational view thereof, the fog lamp being shown in broken lines for illustrative purposes only.

[56] **References Cited**
U.S. PATENT DOCUMENTS

D. 190,677 6/1961 Bruce D26/139
 2,773,973 12/1956 Hoard et al. 362/376
 2,975,401 3/1961 Shupe 340/84



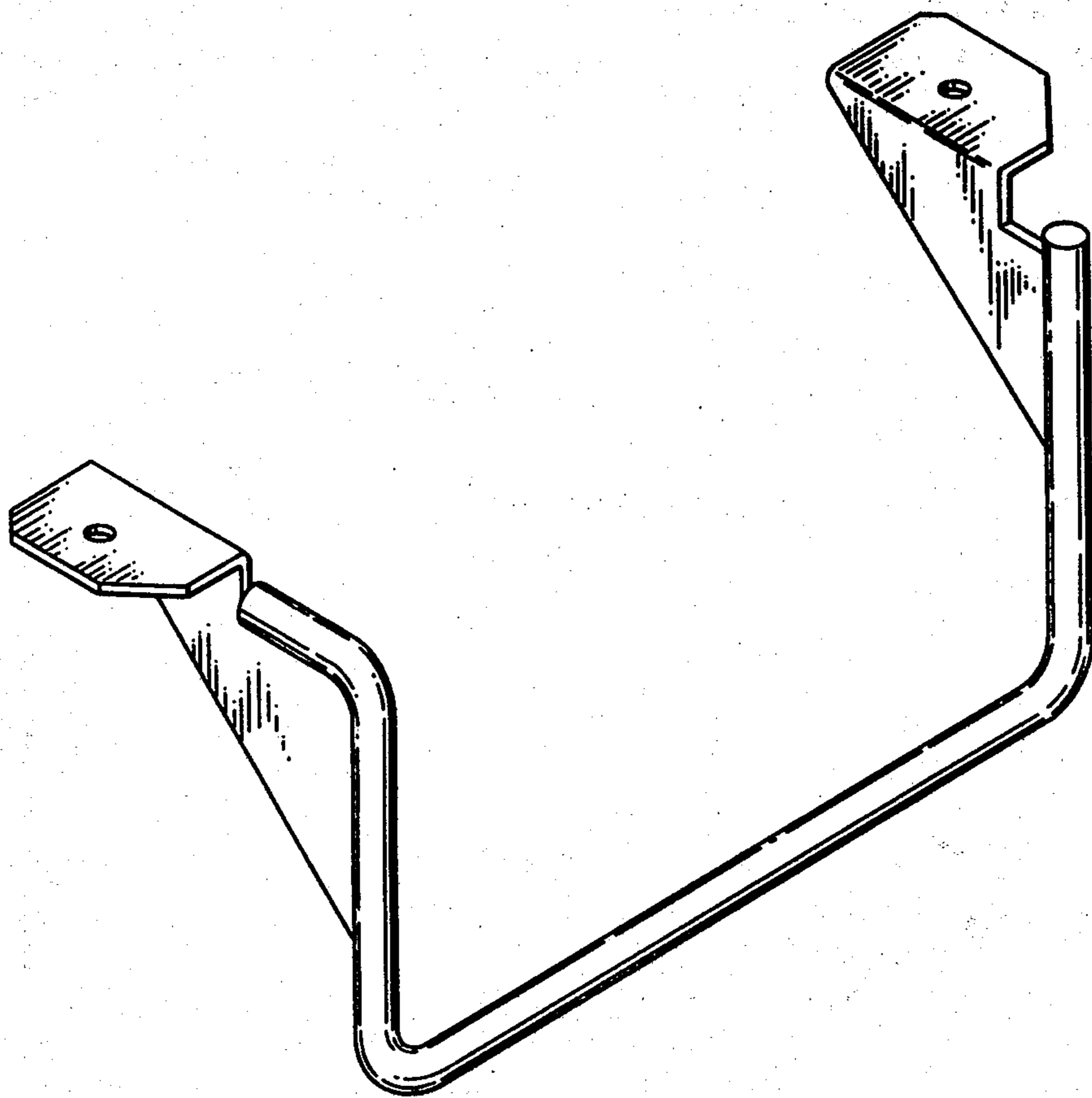


FIG. 1

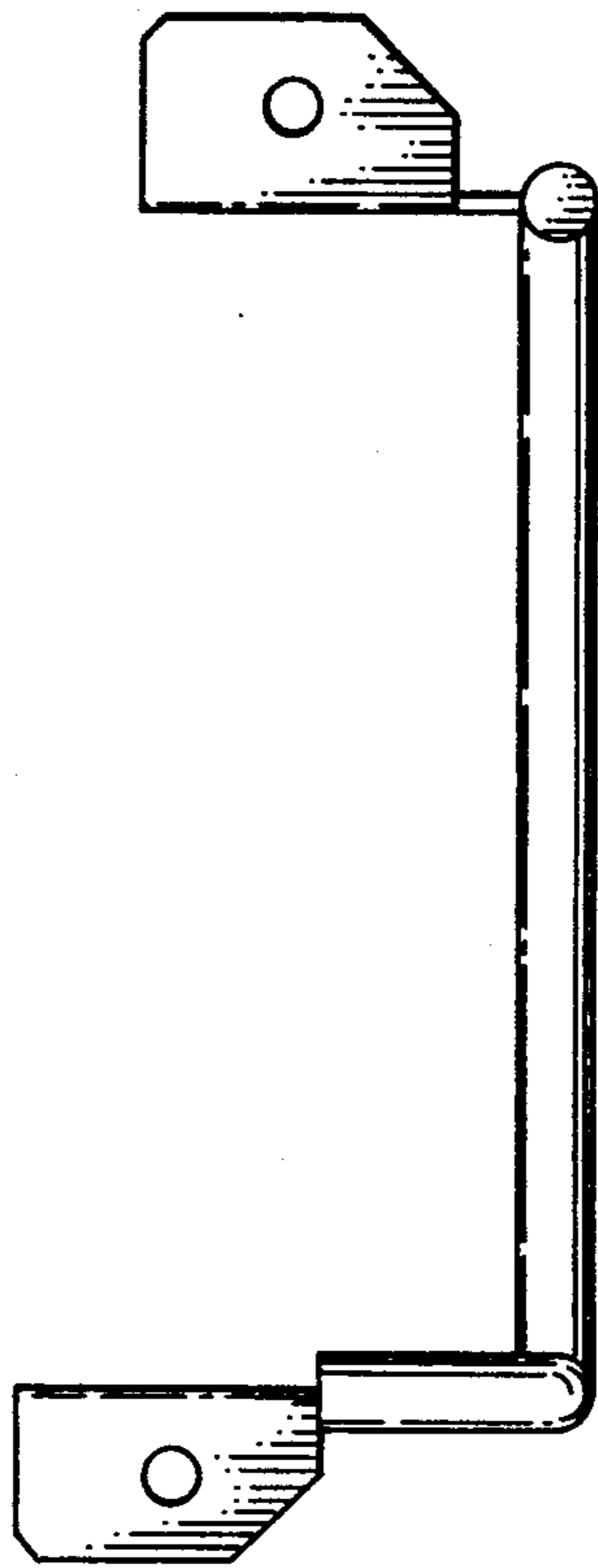


FIG. 4

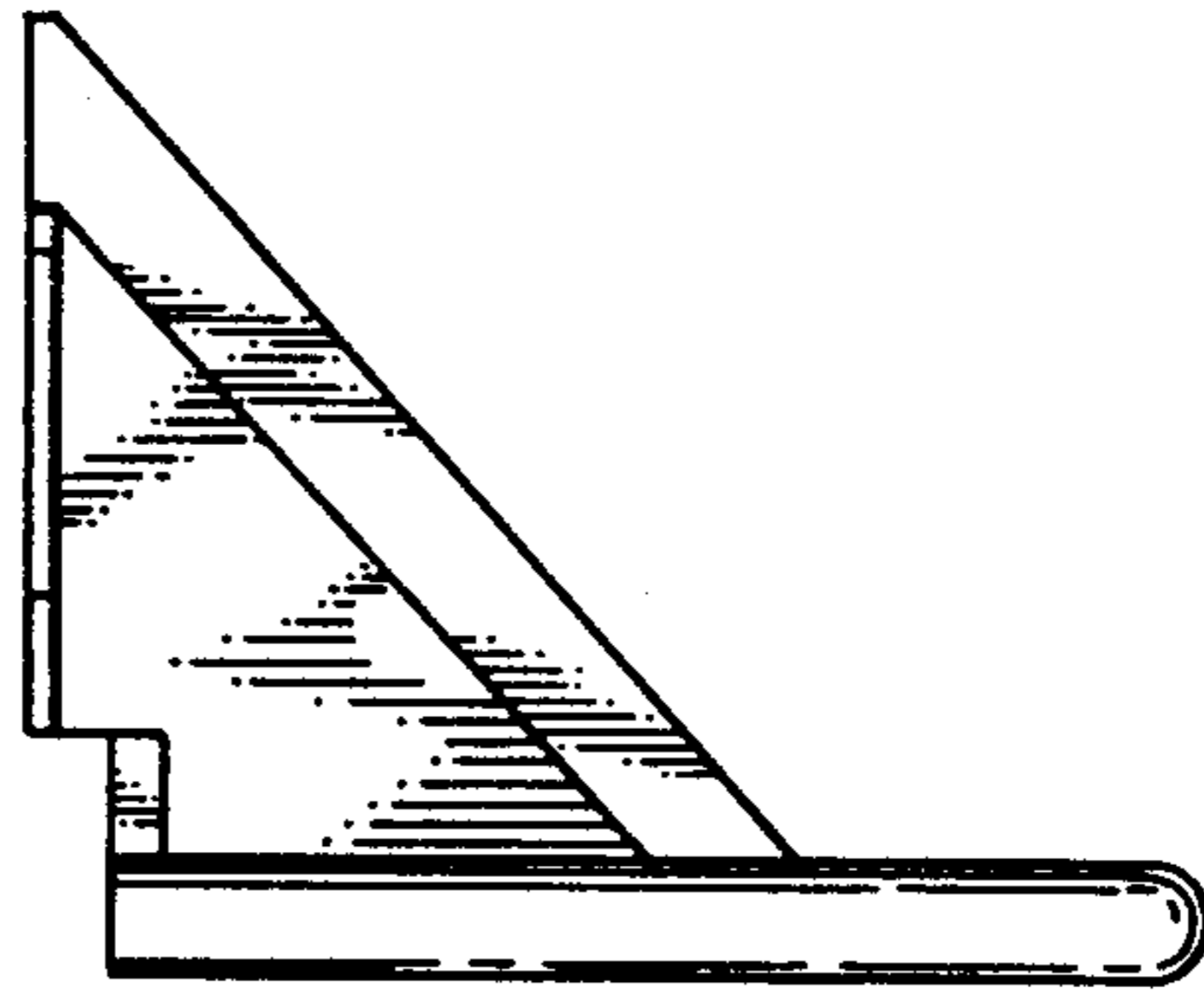


FIG. 2

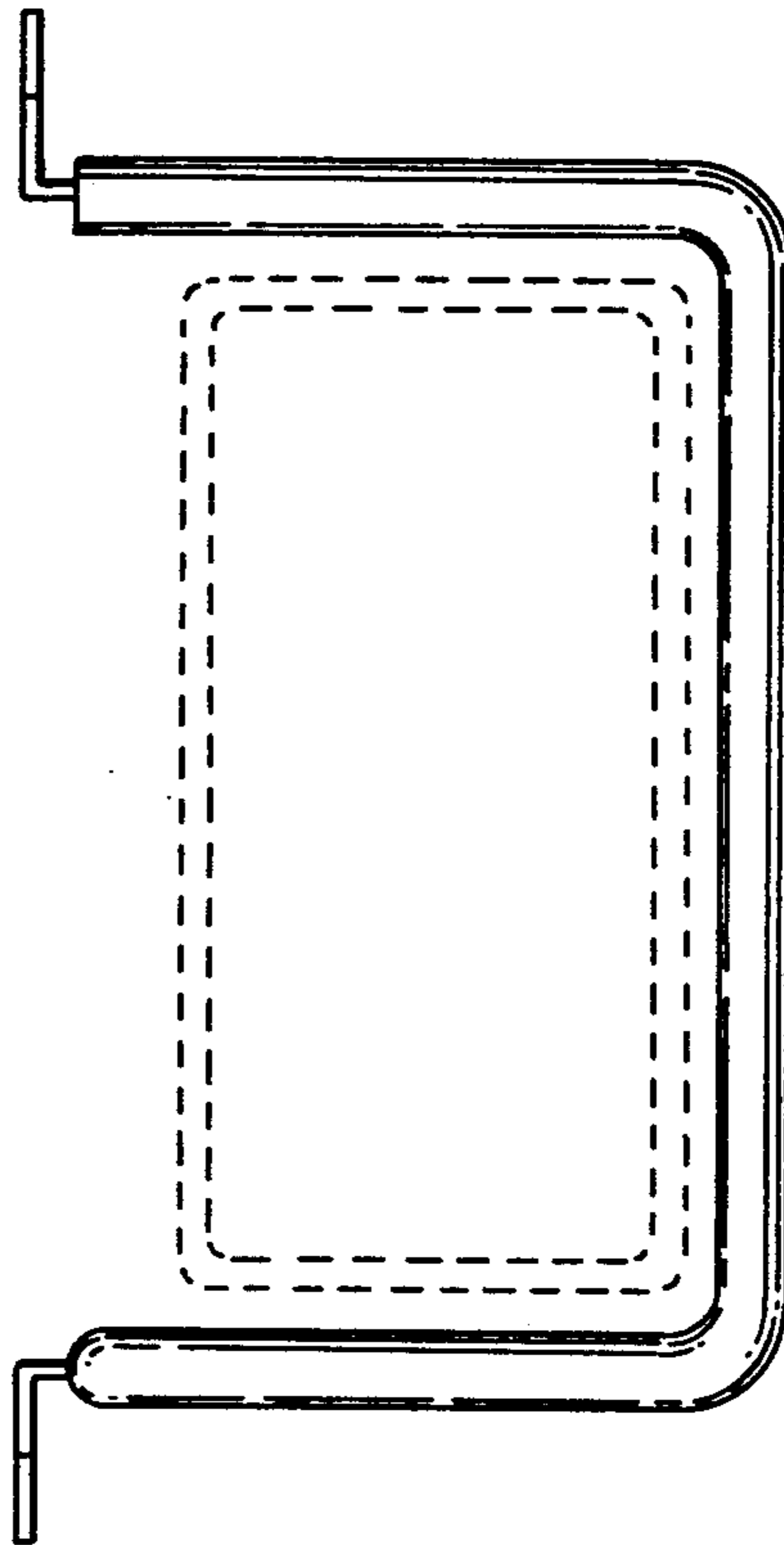


FIG. 5

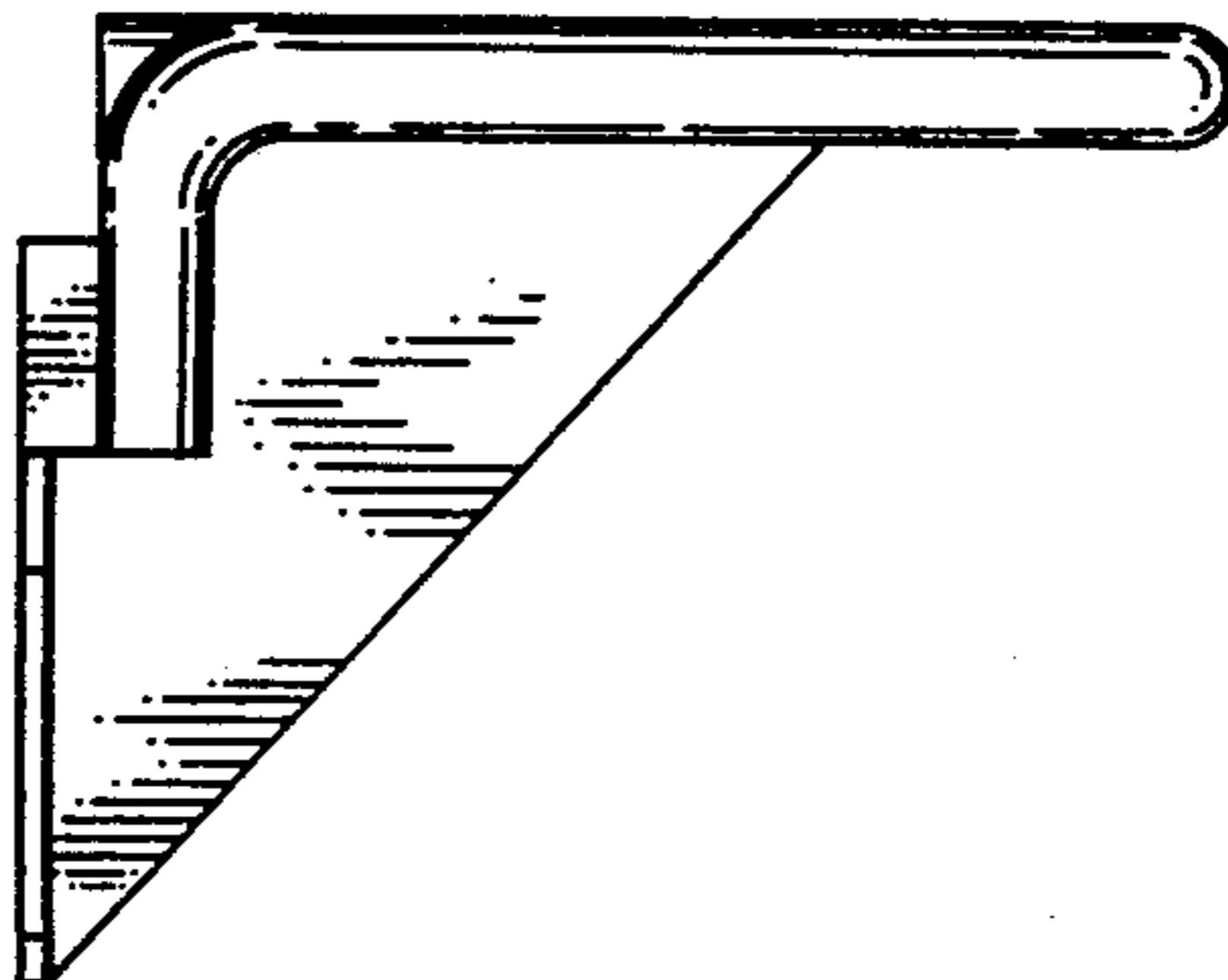


FIG. 3