

[54] HAIR DRYER

[75] Inventor: Petrus Jacobus J. Nagelkerke,
Drachten, Netherlands

[73] Assignee: U.S. Philips Corporation, New York,
N.Y.

[**] Term: 14 Years

[21] Appl. No.: 396,934

[22] Filed: Jul. 9, 1982

[30] Foreign Application Priority Data

Jan. 25, 1982 [XB] Benelux 56491-01

[52] U.S. Cl. D28/13

[58] Field of Search D28/9-19;
219/222; 34/96-101; 132/7, 9

[56] References Cited

U.S. PATENT DOCUMENTS

D. 253,914 1/1980 Haase D28/13

OTHER PUBLICATIONS

Design, 8/80, p. 35—Braun PGC1000 at left & left bot-
tom.

Housewares, 2/74, p. 13—Dryer at bottom center.

Home Furnishings Daily, Monday, 7/12/71, Sec. 1, p.
42—Dryer at top right.

Primary Examiner—Louis S. Zarfes

Attorney, Agent, or Firm—Rolf E. Schneider

[57] CLAIM

The ornamental design for a hair dryer, as shown and
described.

DESCRIPTION

FIG. 1 is a front, bottom and right side perspective view
of a hair dryer, showing my new design;
FIG. 2 is a front elevational view thereof;
FIG. 3 is a rear elevational view thereof;
FIG. 4 is a right side elevational view thereof;
FIG. 5 is a left side elevational view thereof;
FIG. 6 is a top plan view thereof; and
FIG. 7 is a bottom plan view thereof.

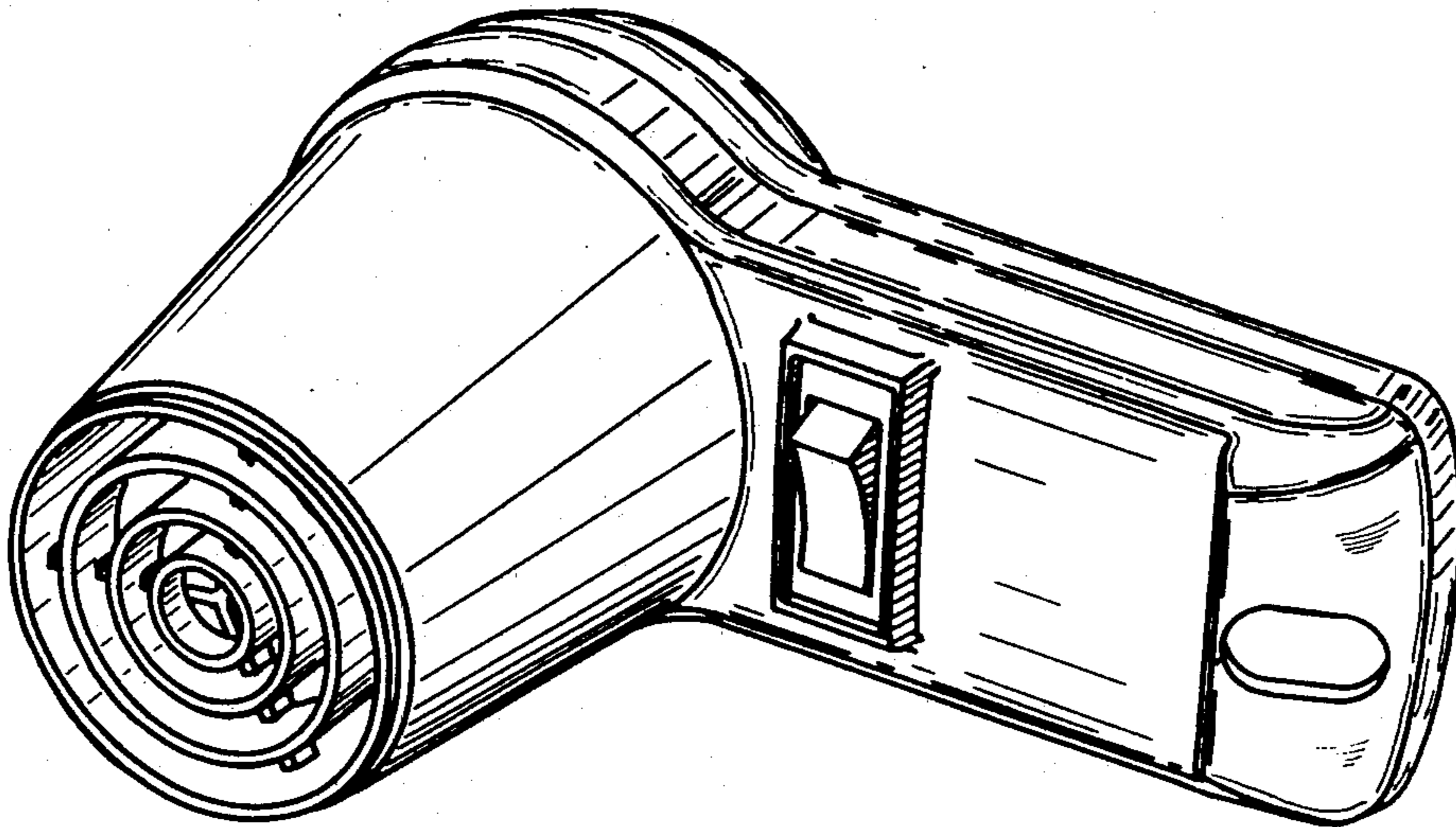


FIG. 1

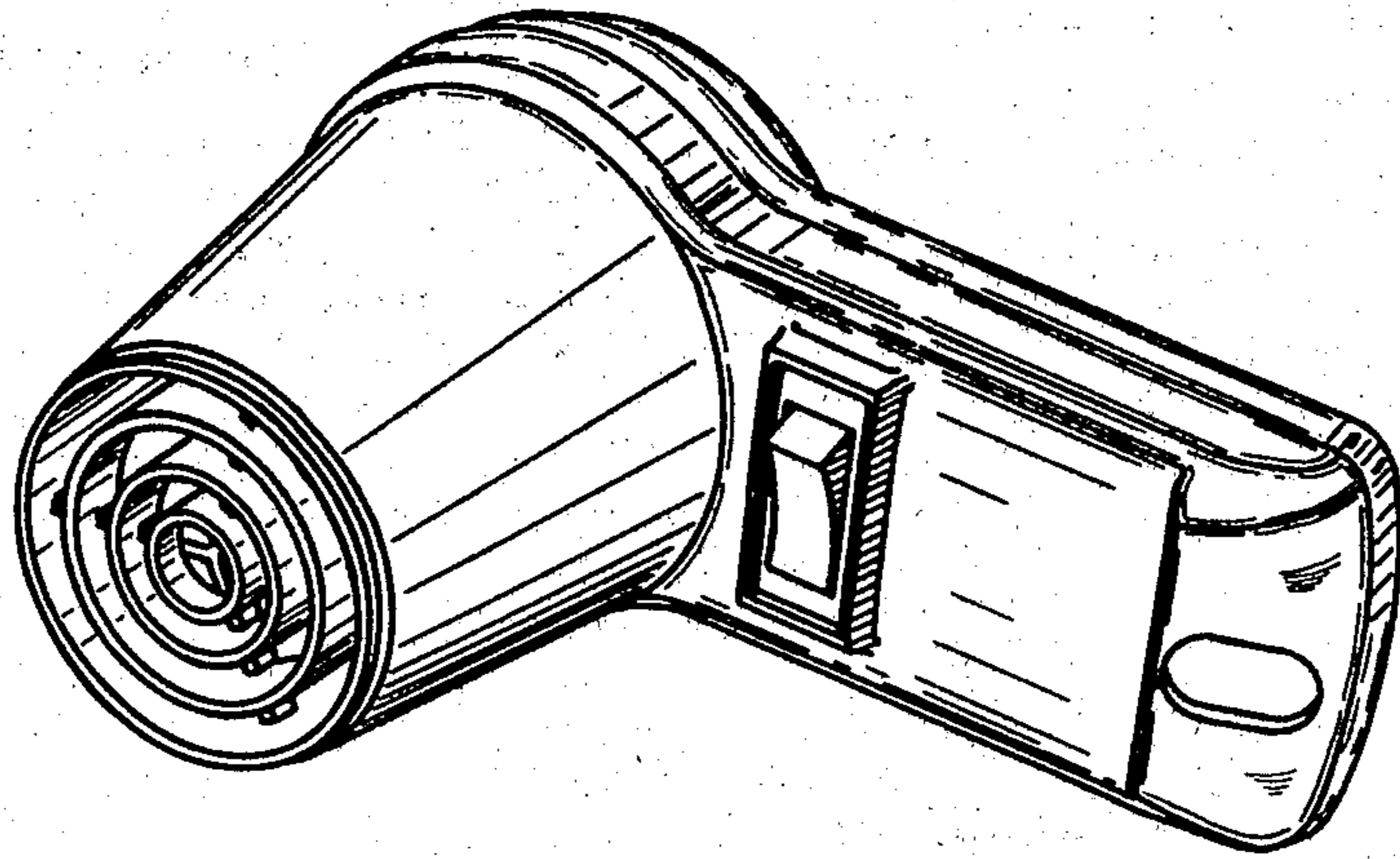


FIG. 2

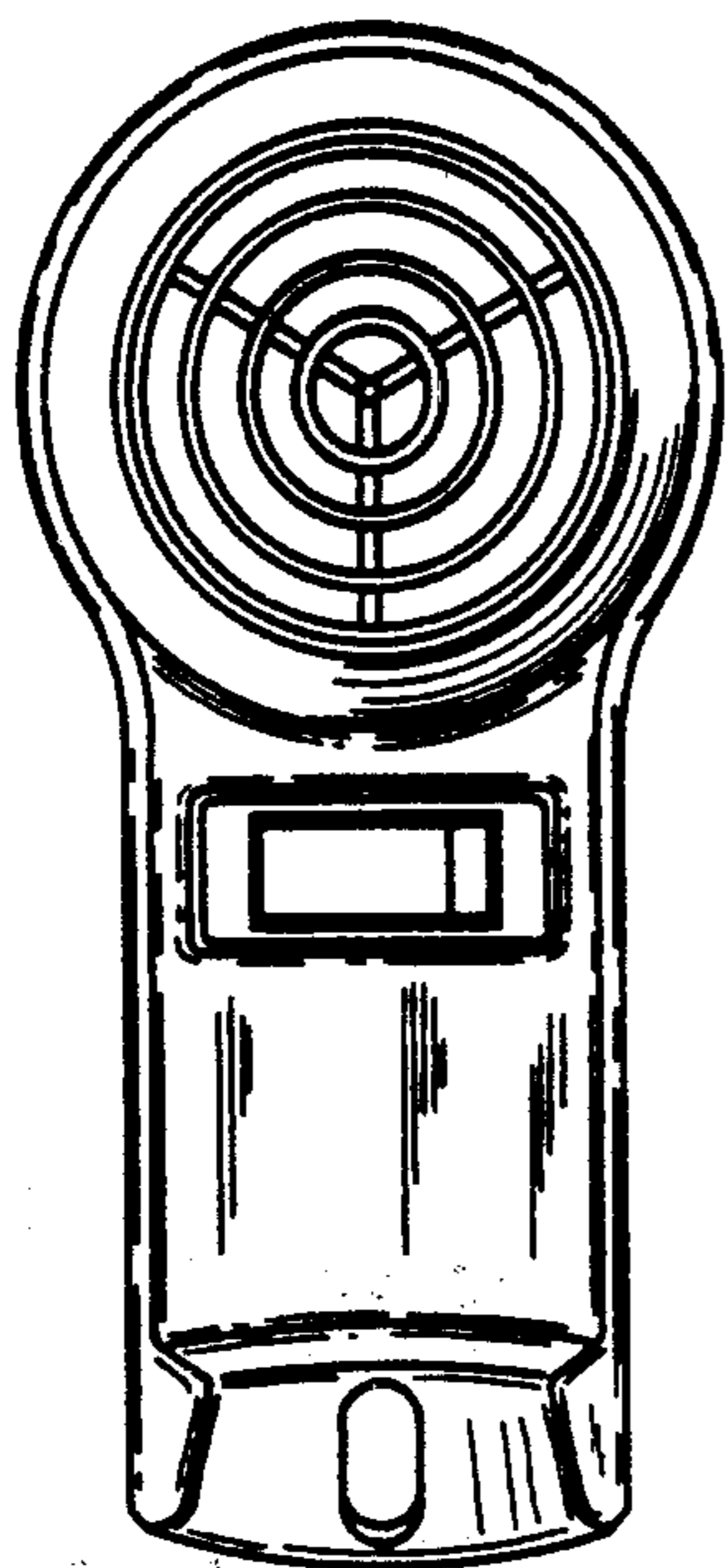


FIG. 3

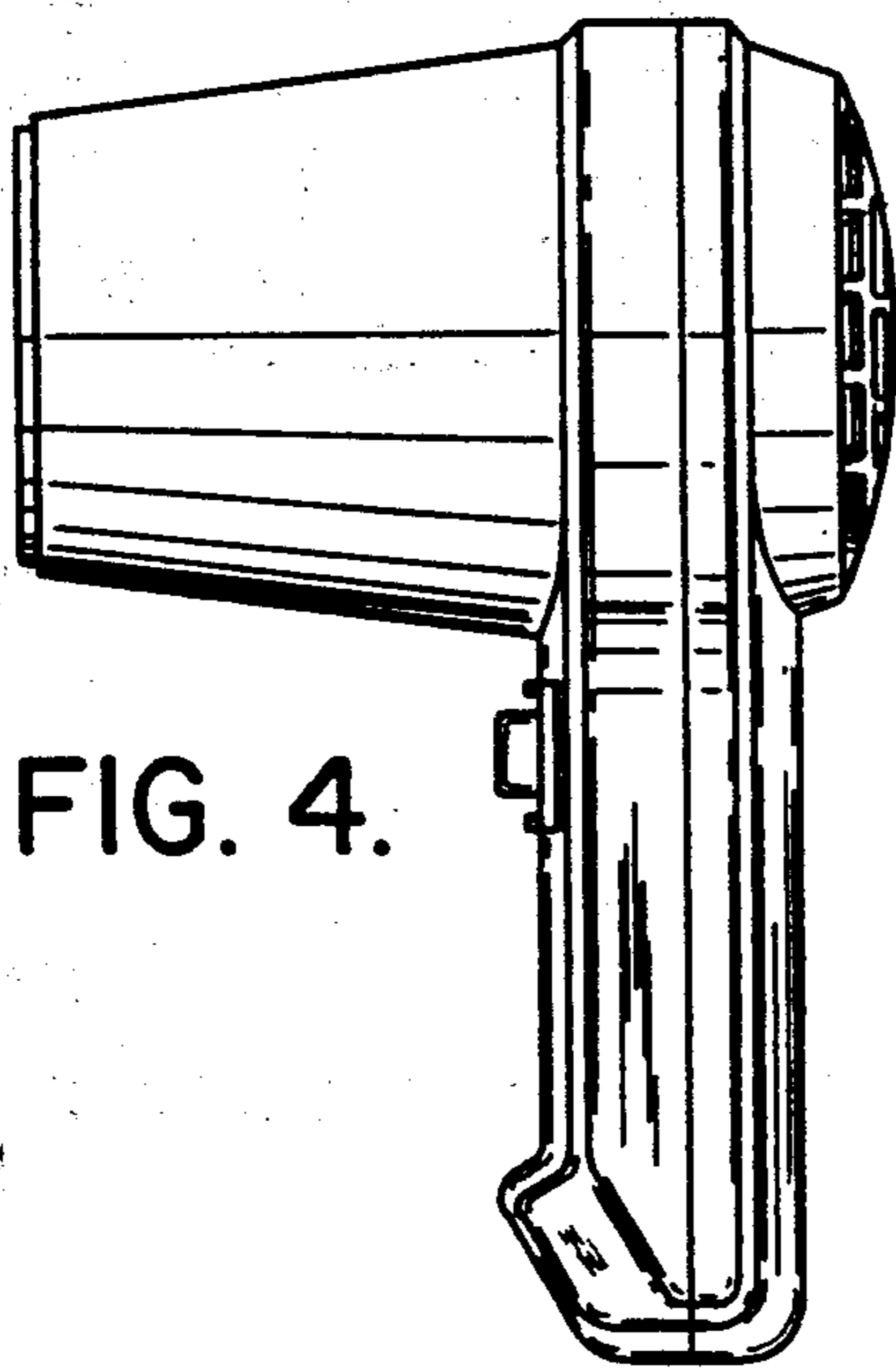
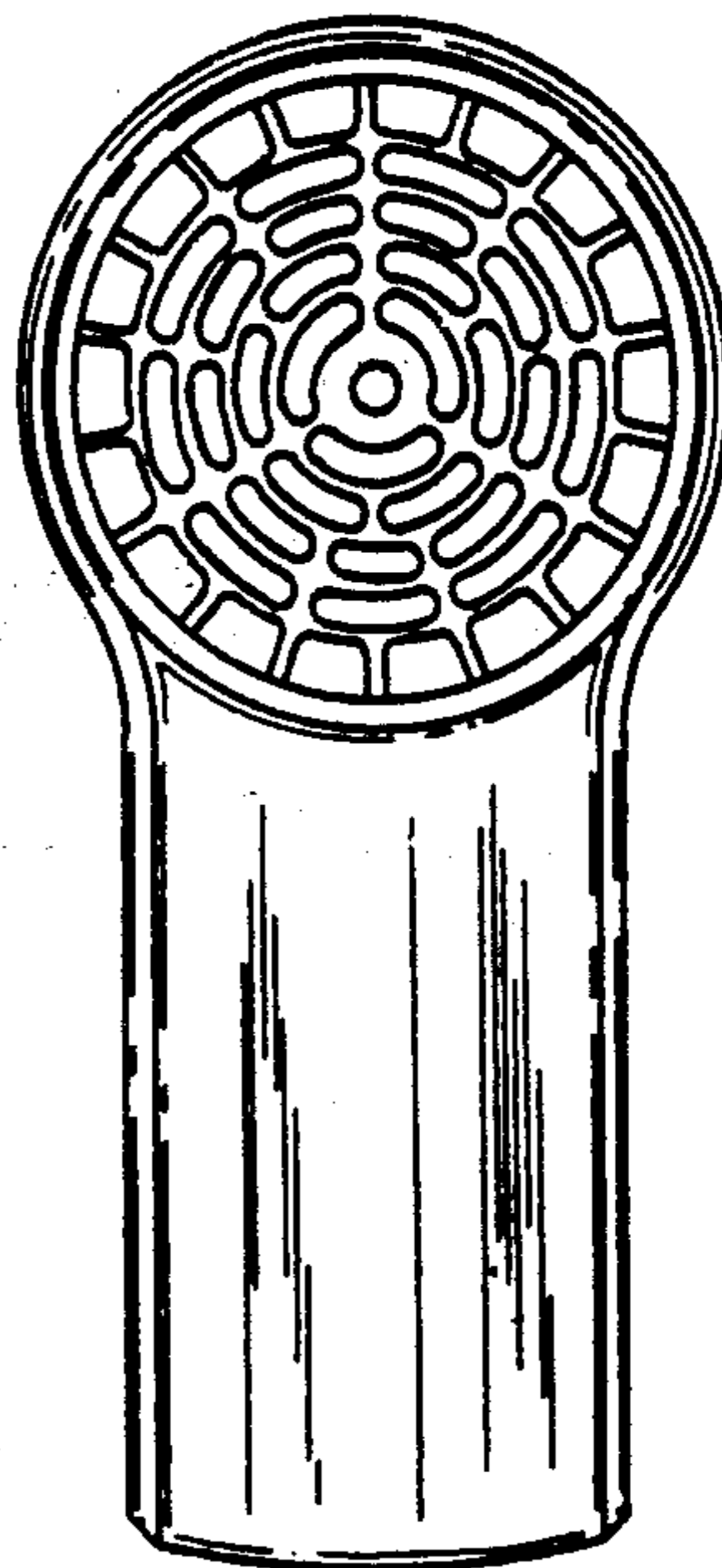


FIG. 4.

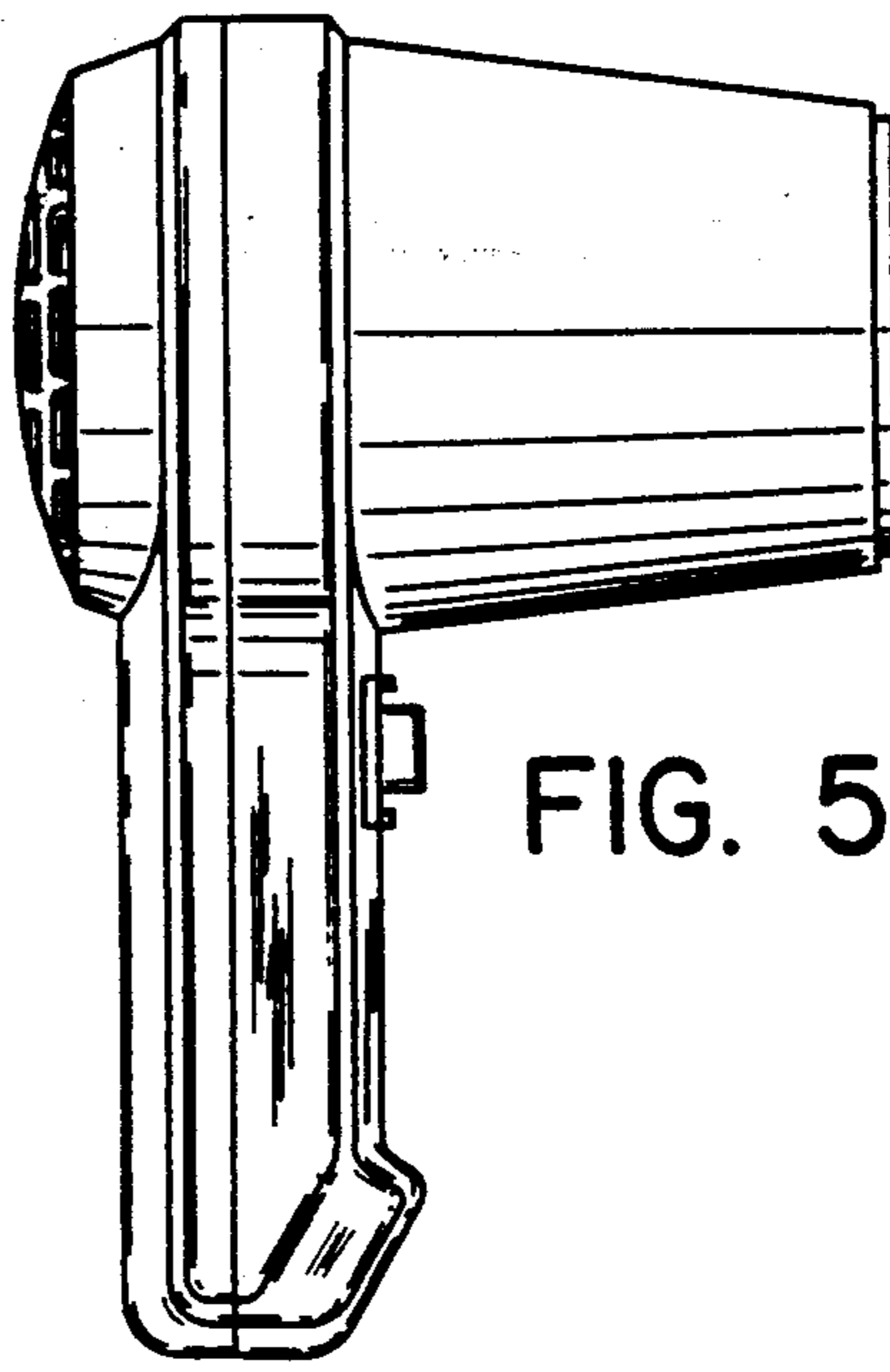


FIG. 5

FIG. 6

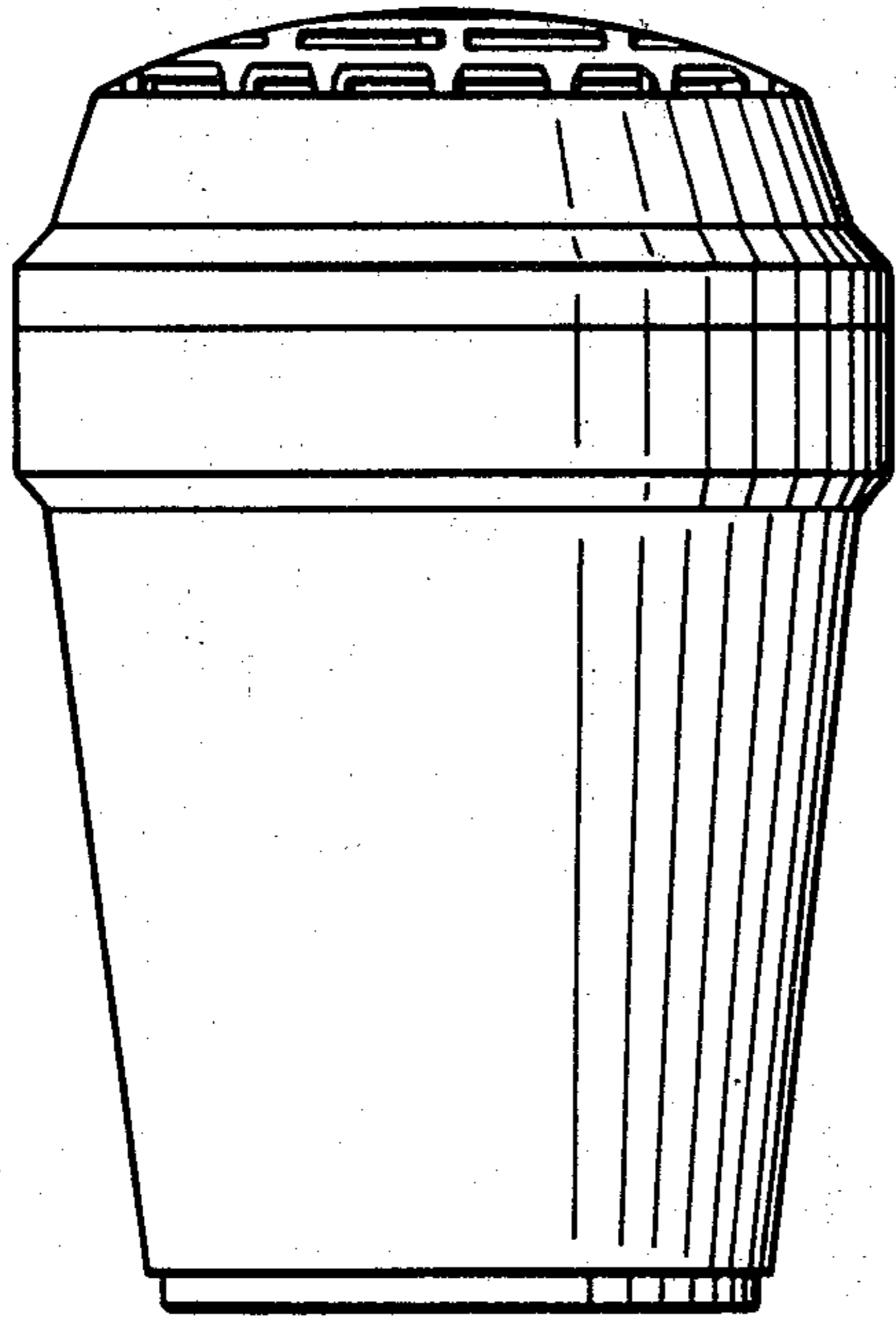


FIG. 7

