

[54] FLOAT
 [76] Inventor: Ruben S. Carrillo, 828 N. Neptune Ave., Wilmington, Calif. 90744
 [**] Term: 14 Years
 [21] Appl. No.: 360,814
 [22] Filed: Mar. 22, 1982
 [52] U.S. Cl. D12/316; D21/237
 [58] Field of Search D21/237, 236, 238, 228; D12/316; 441/22

3,711,821 1/1973 Dale et al. 441/22 X
 3,774,564 11/1973 Bondon et al. 441/22 X

Primary Examiner—Alan P. Douglas
 Attorney, Agent, or Firm—Singer & Singer

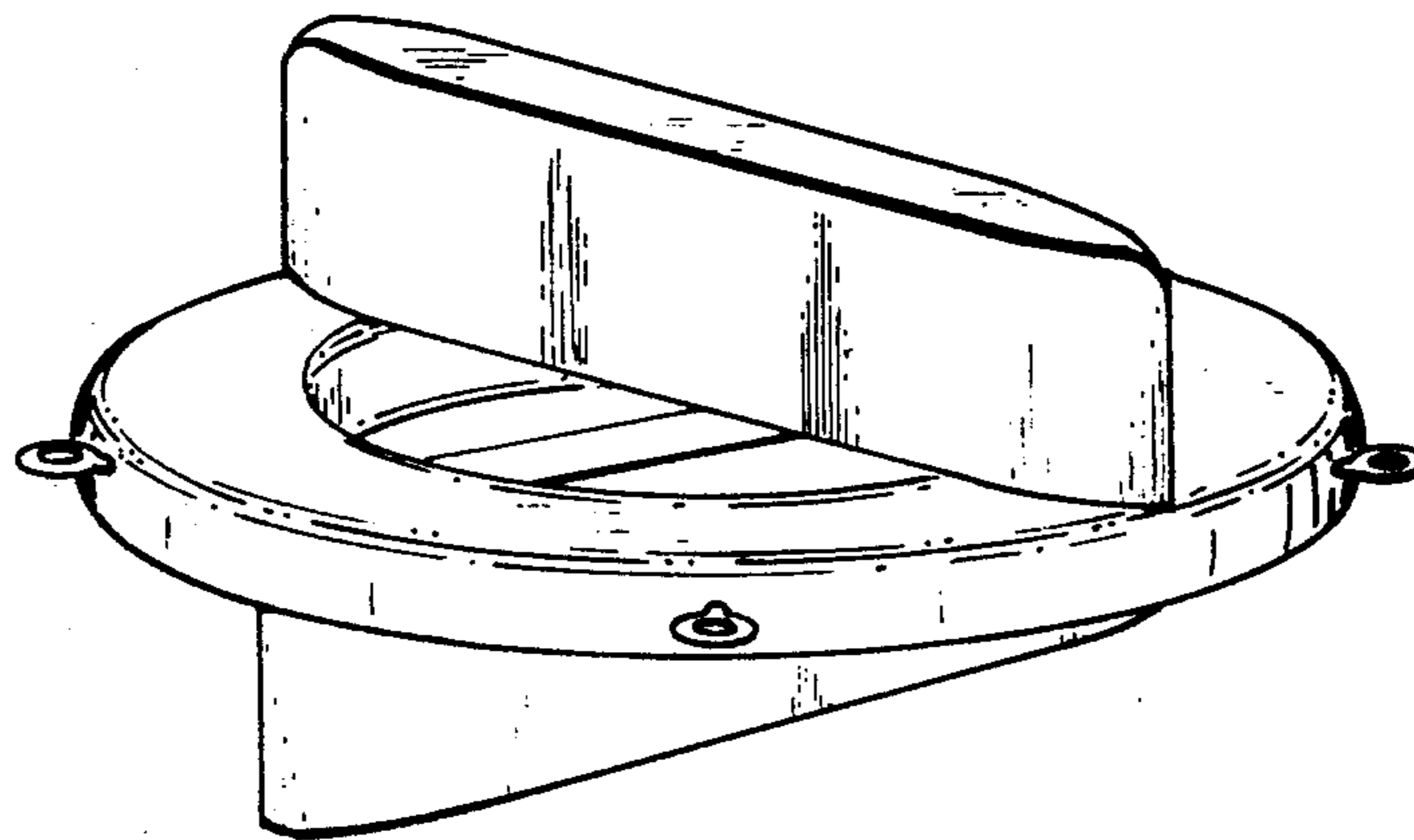
[57] CLAIM

The ornamental design for a float, substantially as shown and described.

DESCRIPTION

FIG. 1 is a perspective view illustrating the design of my float;
 FIG. 2 is a top plan view thereof;
 FIG. 3 is a bottom plan view thereof;
 FIG. 4 is a side elevation view of FIG. 2;
 FIG. 5 is a side elevation view of FIG. 3; and
 FIG. 6 is a sectional view taken along lines 6—6 of FIG. 3.

[56] References Cited
 U.S. PATENT DOCUMENTS
 D. 81,780 8/1930 Fox D21/237
 D. 215,959 11/1969 Kelso et al. D12/316
 D. 226,506 3/1973 Brill D12/316
 D. 234,363 2/1975 Del Vecchio D21/237 X



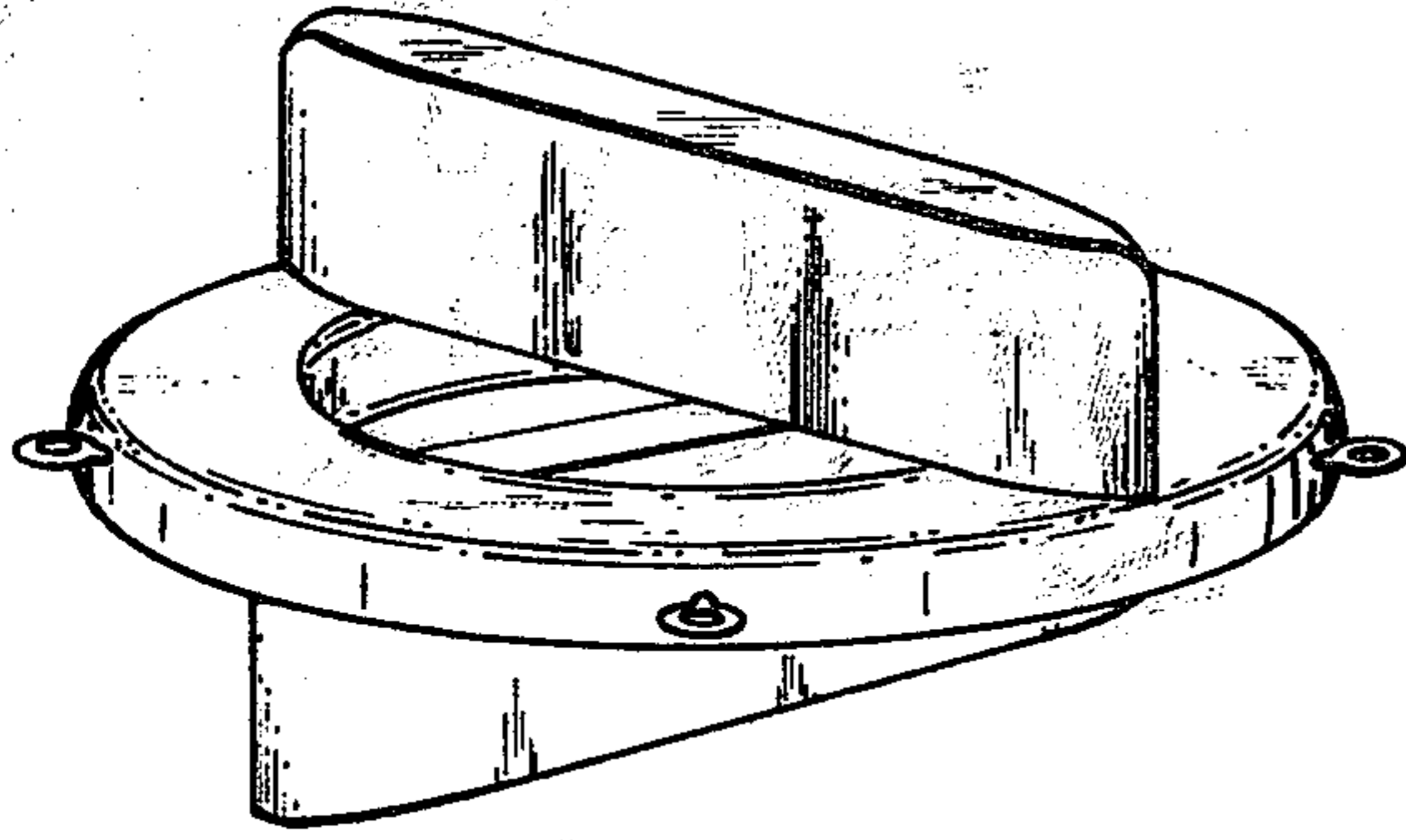


Fig. 1.

Fig. 2.

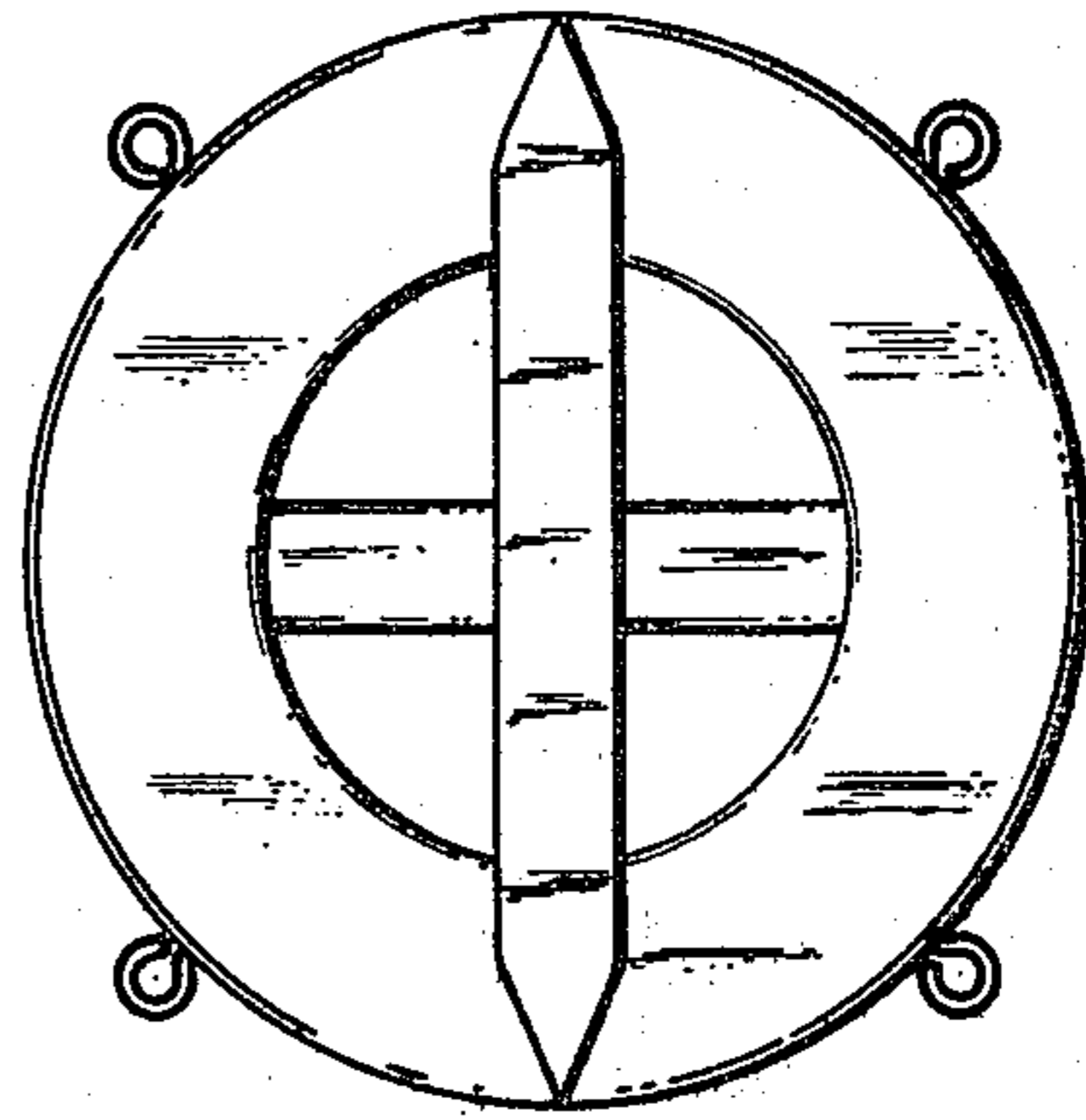


Fig. 3.

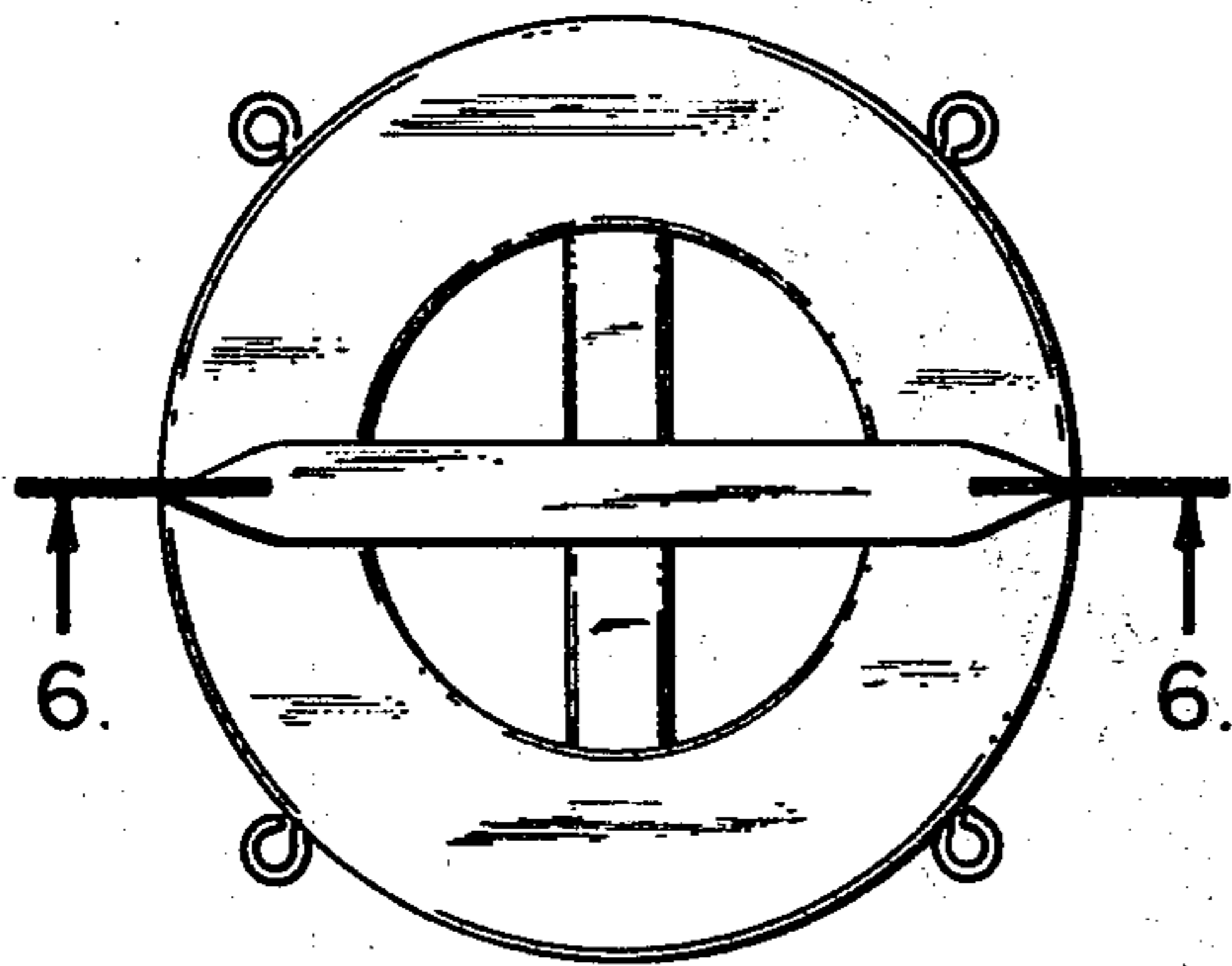


Fig. 4.

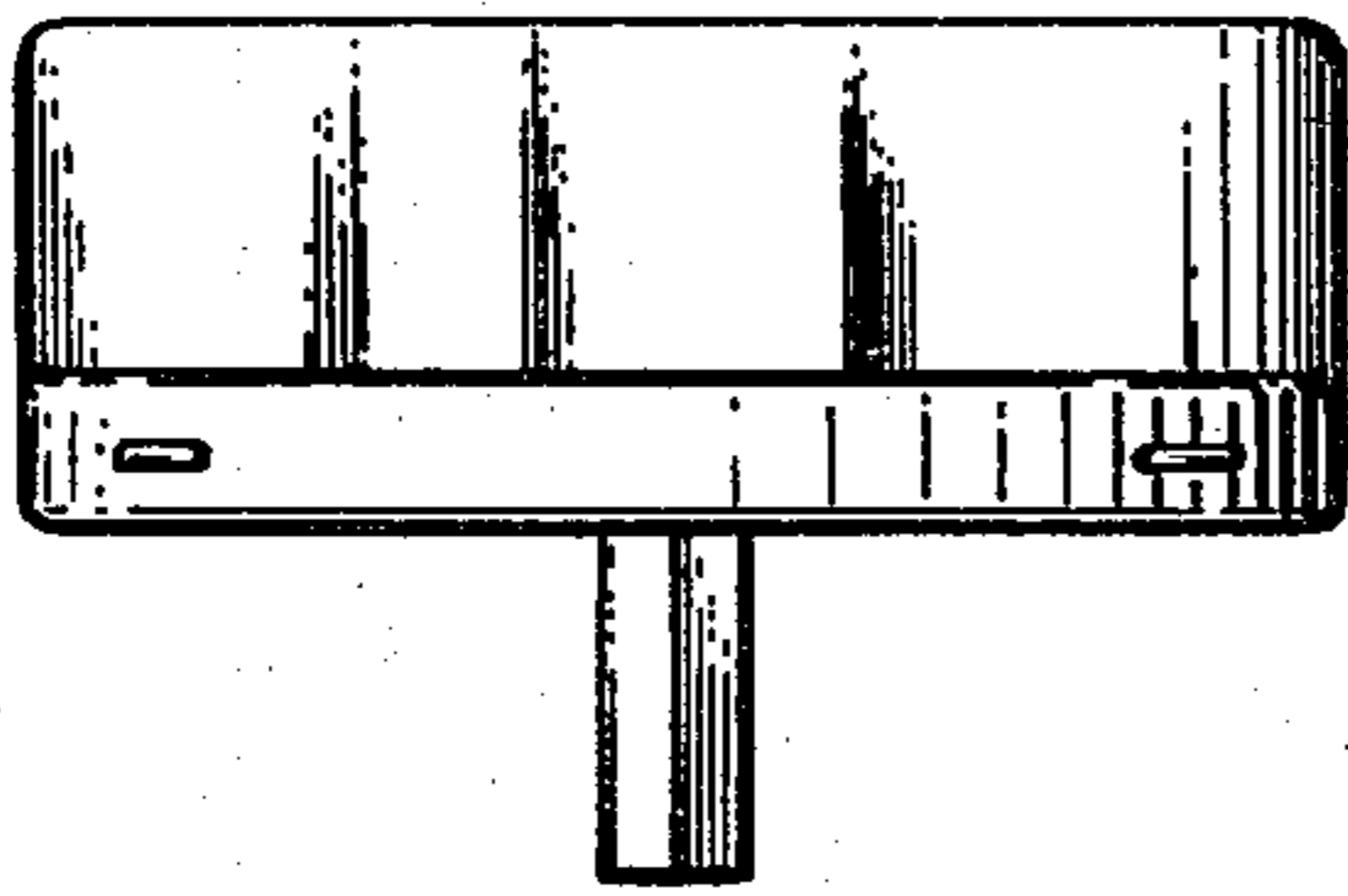
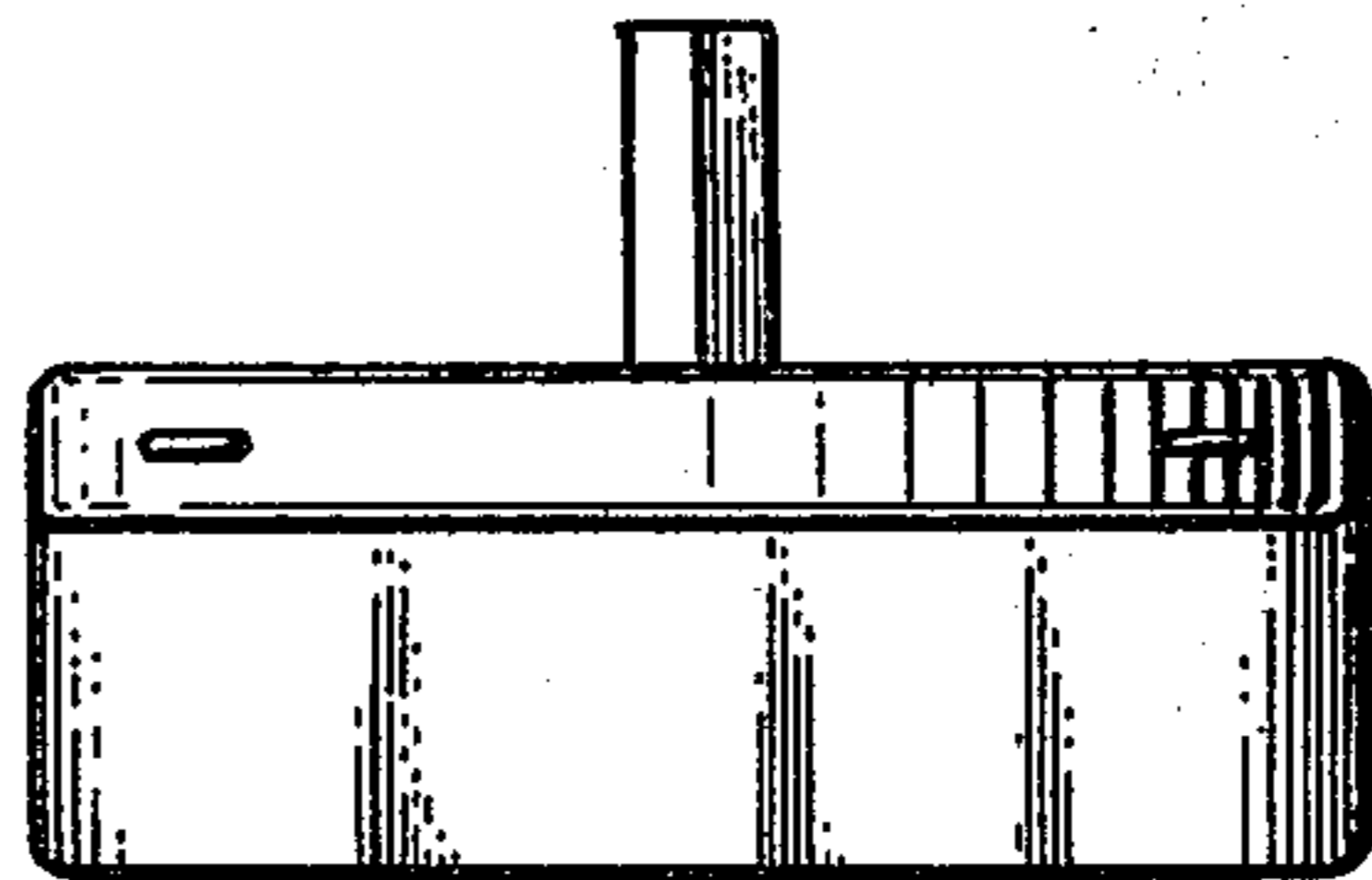


Fig. 5.

Fig. 6.

