

[54] AUTOMATIC SET-BACK CONTROL FOR GAS WATER HEATER

[75] Inventor: Grove M. Anderson, Simi Valley, Calif.

[73] Assignee: Aidan Industries, Inc., Los Angeles, Calif.

[\*\*] Term: 14 Years

[21] Appl. No.: 373,853

[22] Filed: May 3, 1982

[52] U.S. Cl. .... D10/50; D10/40

[58] Field of Search ..... D10/49-53, D10/102-103, 40; D13/12, 32, 38, 40; 337/302-303, 376, 380, 112-113; 236/20 R, 46 R, 47; 200/38 FB, 38 C, 38 CA, 38 D

[56] References Cited

U.S. PATENT DOCUMENTS

D. 76,275 9/1928 Wilms ..... D13/32

D. 209,513 12/1967 Walters ..... D13/32  
D. 220,042 3/1971 Rinaldi ..... D10/50  
D. 246,159 10/1977 Podall ..... D10/40  
D. 250,635 12/1978 Carlson ..... D10/50  
D. 250,949 11/1979 Reis ..... D13/32  
D. 264,446 5/1982 McKinnon ..... D10/50  
3,997,742 12/1976 Marquis ..... 200/38 D X

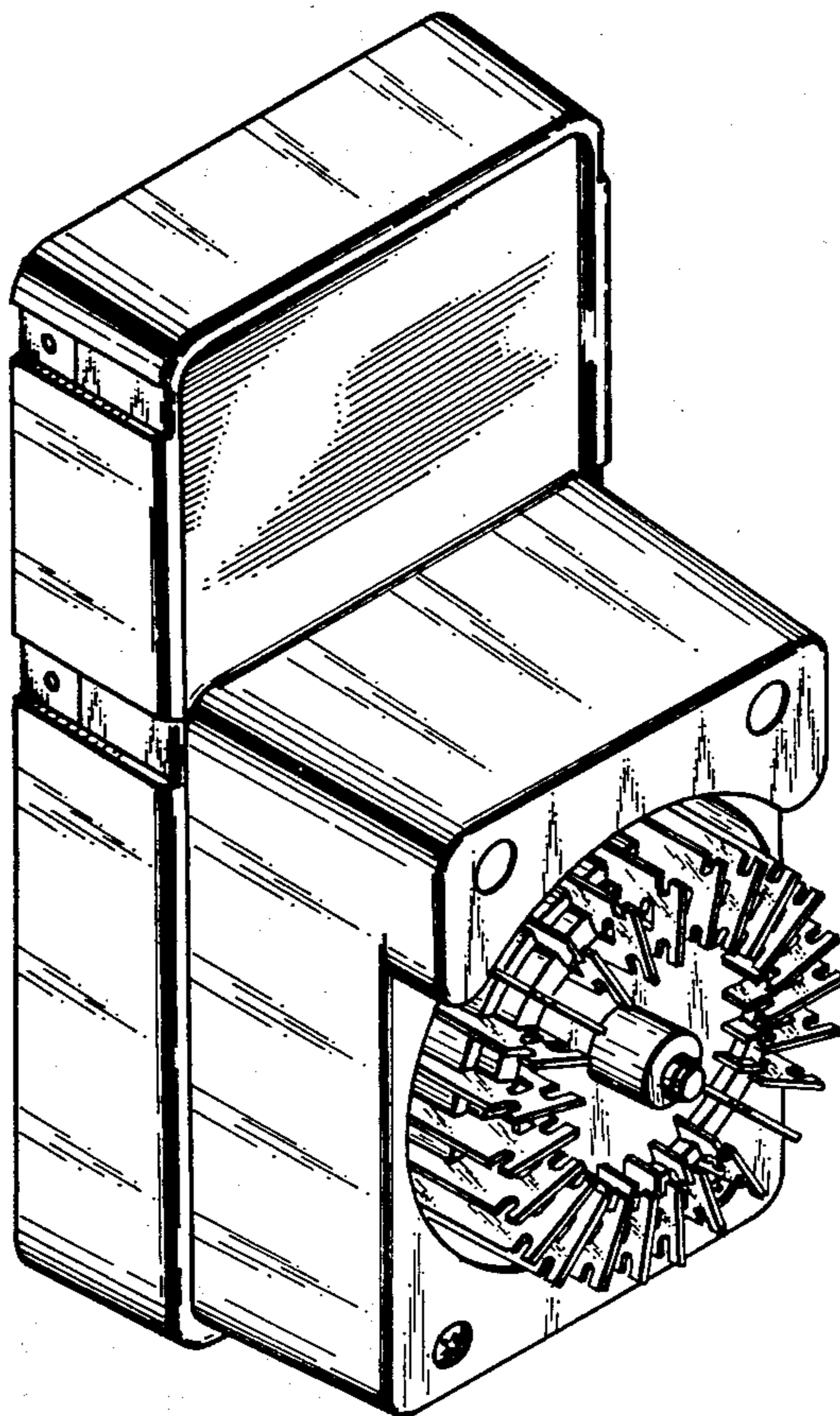
Primary Examiner—Nelson C. Holtje  
Attorney, Agent, or Firm—Charles H. Schwartz;  
Ellsworth R. Roston

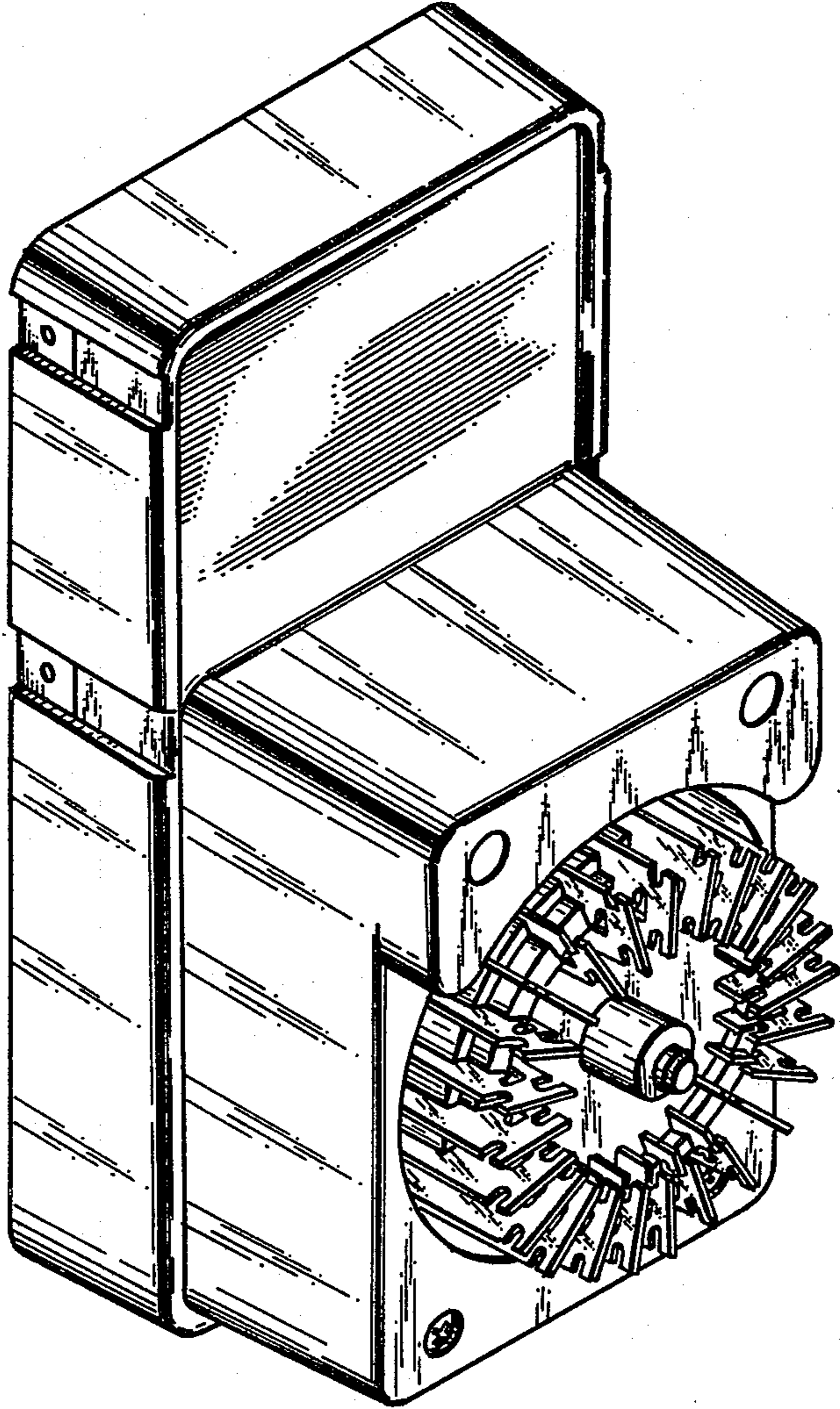
[57] CLAIM

The ornamental design for an automatic set-back control for gas water heaters, substantially as shown.

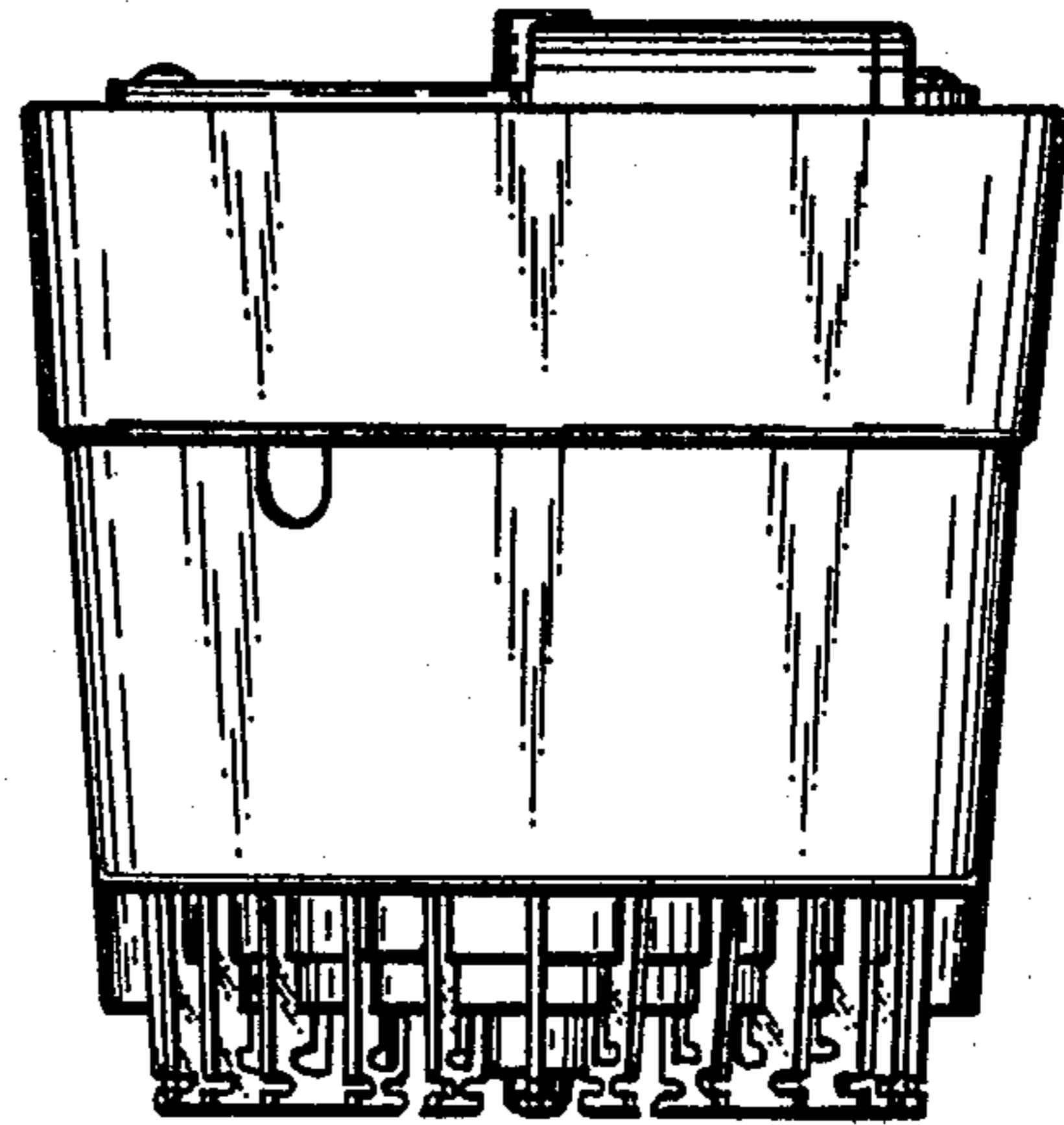
DESCRIPTION

FIG. 1 is a perspective view of an automatic set-back control for gas water heaters showing my new design; FIG. 2 is a left side elevational view thereof, the right side being a mirror image thereof; FIG. 3 is a rear elevational view thereof; FIG. 4 is a bottom plan view thereof;

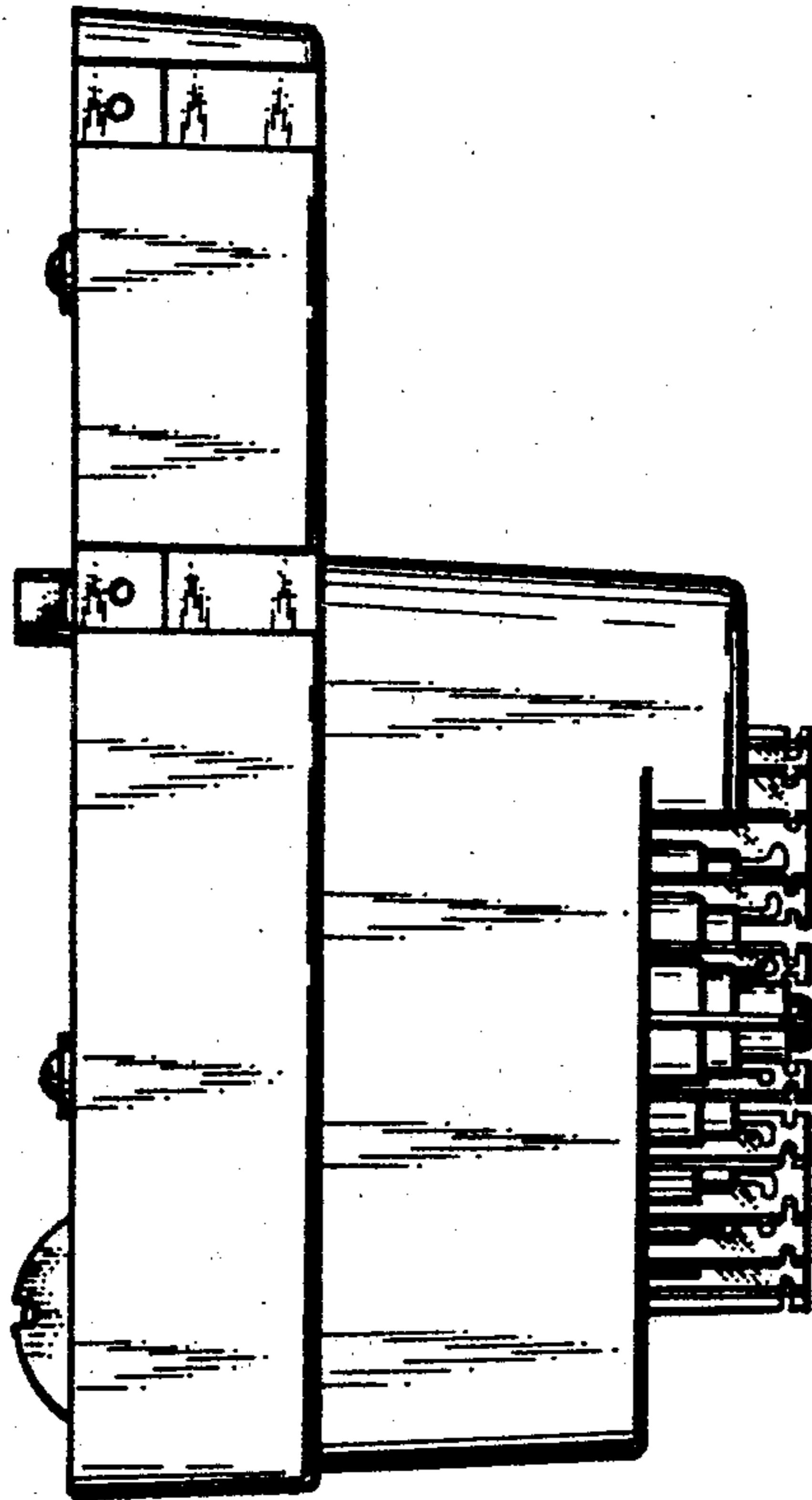




*Fig. 1*



*Fig. 4*



*Fig. 2*

*Fig. 3*

