

[54] TOOL FOR CUTTING STAINED GLASS PATTERNS

3,922,784 12/1975 Prince et al. 30/164.9 X
4,010,542 3/1977 Richardson et al. 30/164.9
4,205,438 6/1980 Sikorski 30/164.95 X

[75] Inventors: Timothy C. O'Neill, Troutdale;
George T. Tester; Barbara Tester,
both of Corbett, all of Oreg.

Primary Examiner—Alan P. Douglas
Attorney, Agent, or Firm—Chernoff, Vilhauer,
McClung, Birdwell & Stenzel

[73] Assignee: Artmob, Inc., Corbett, Oreg.

[57] CLAIM

[**] Term: 14 Years

The ornamental design for a tool for cutting stained glass patterns, as shown.

[21] Appl. No.: 390,300

DESCRIPTION

[22] Filed: Jun. 21, 1982

[52] U.S. Cl. D8/98

[58] Field of Search D8/51, 98; 30/164.9,
30/164.95

FIG. 1 is a side elevational view of a tool for cutting stained glass patterns embodying the features of our new design;

FIG. 2 is a side elevational view of the opposite side thereof;

FIG. 3 is a plan view thereof;

FIG. 4 is an end elevational view thereof;

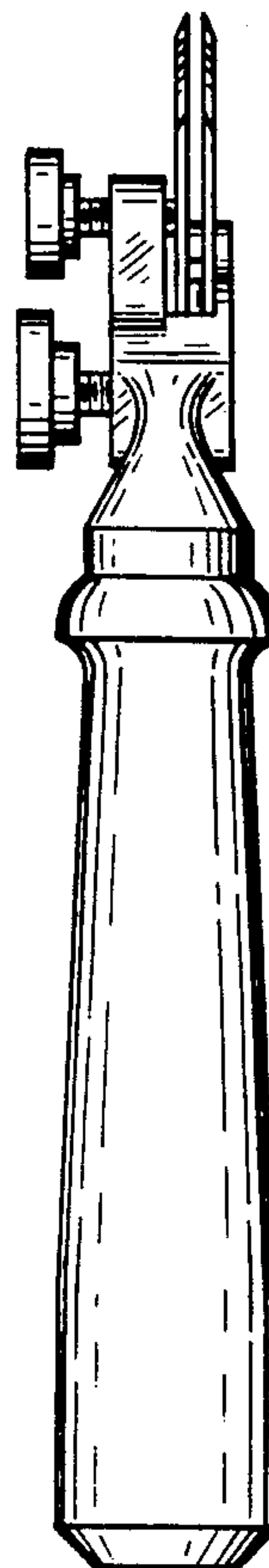
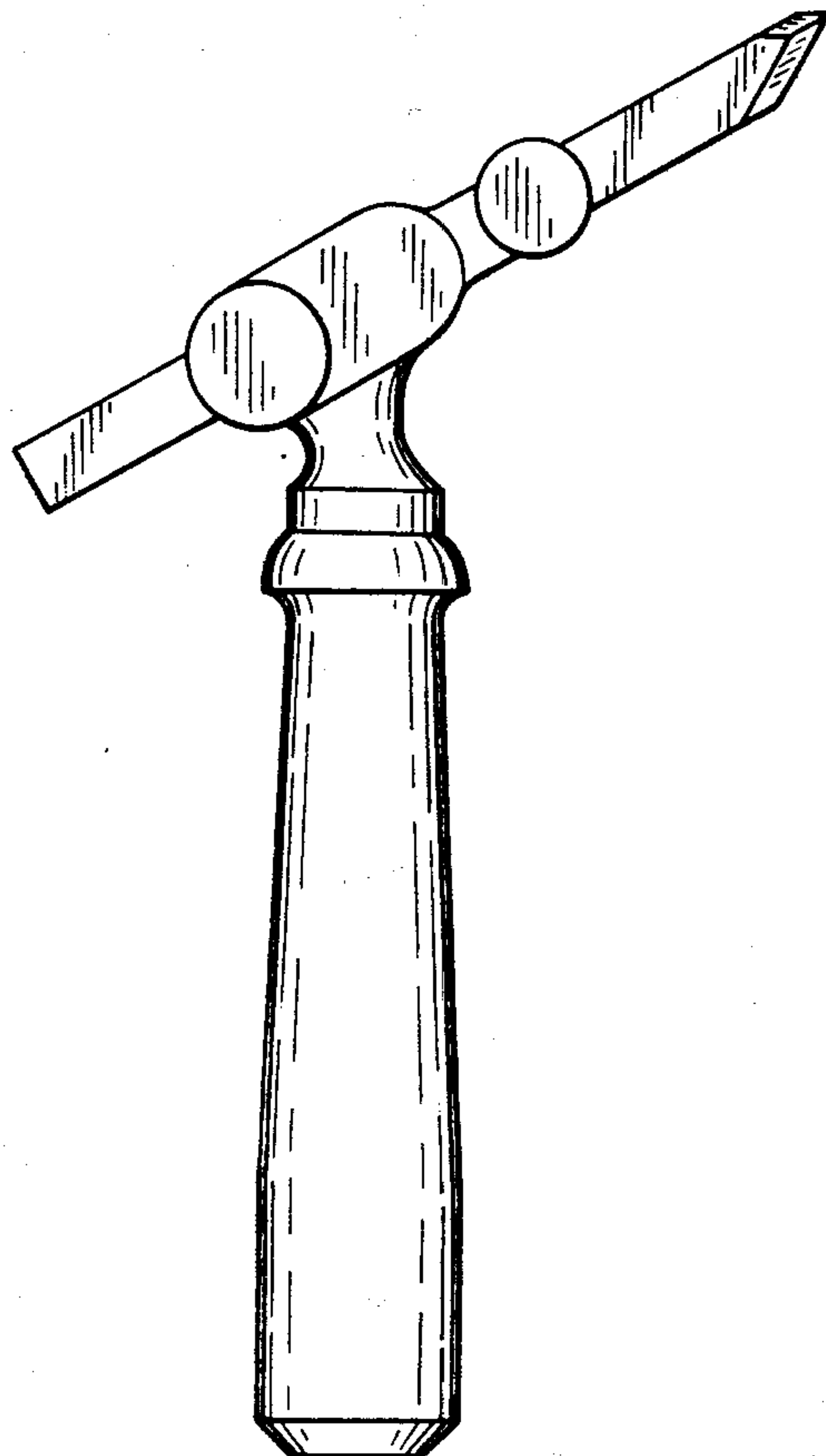
FIG. 5 is an end elevational view of the opposite end thereof; and

FIG. 6 is a bottom view thereof.

[56] References Cited

U.S. PATENT DOCUMENTS

- D. 116,018 8/1939 Cathcard D8/98
- D. 225,607 12/1972 Insolio D8/51
- D. 267,853 2/1983 Arai D8/51



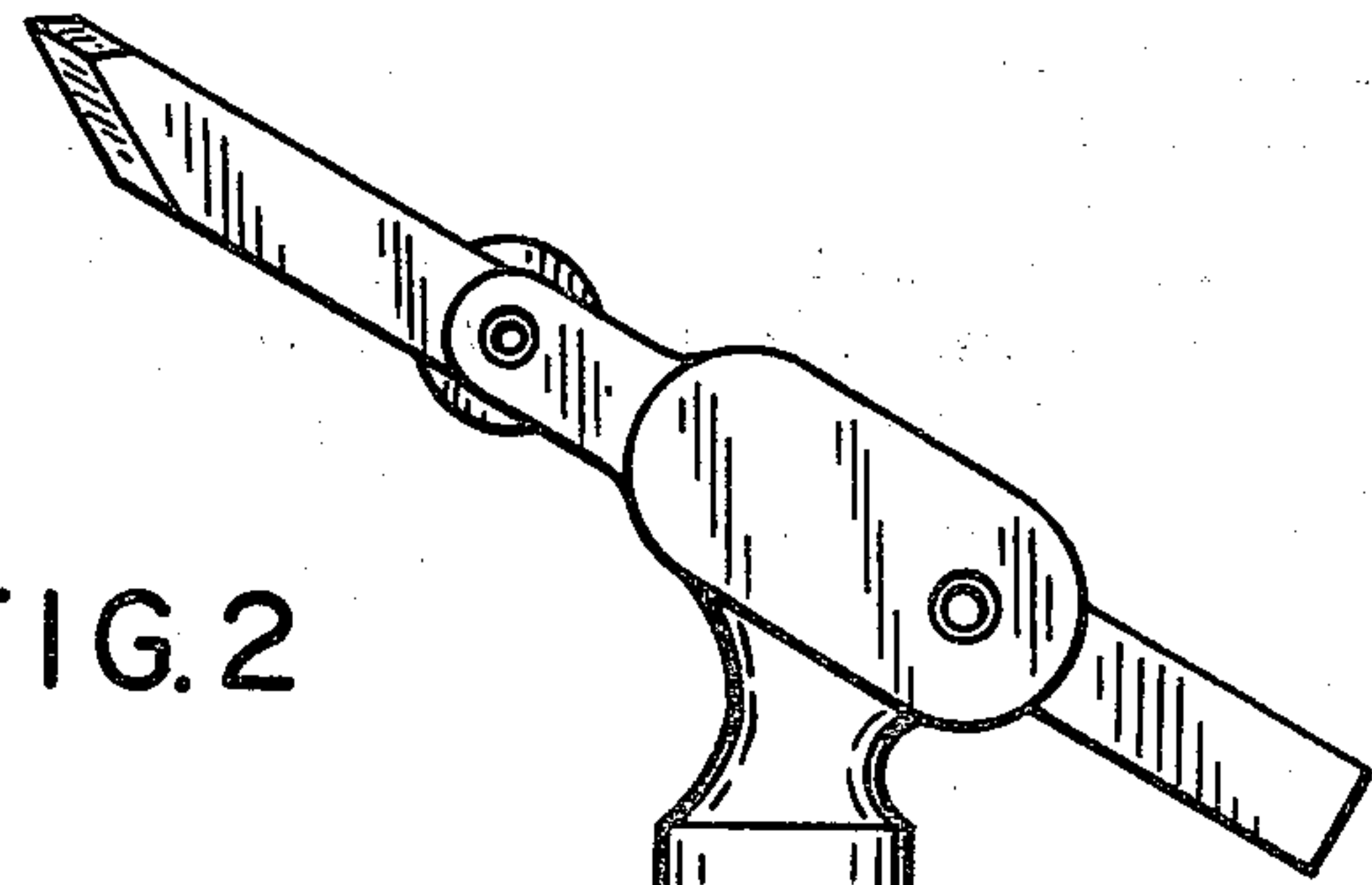


FIG. 2

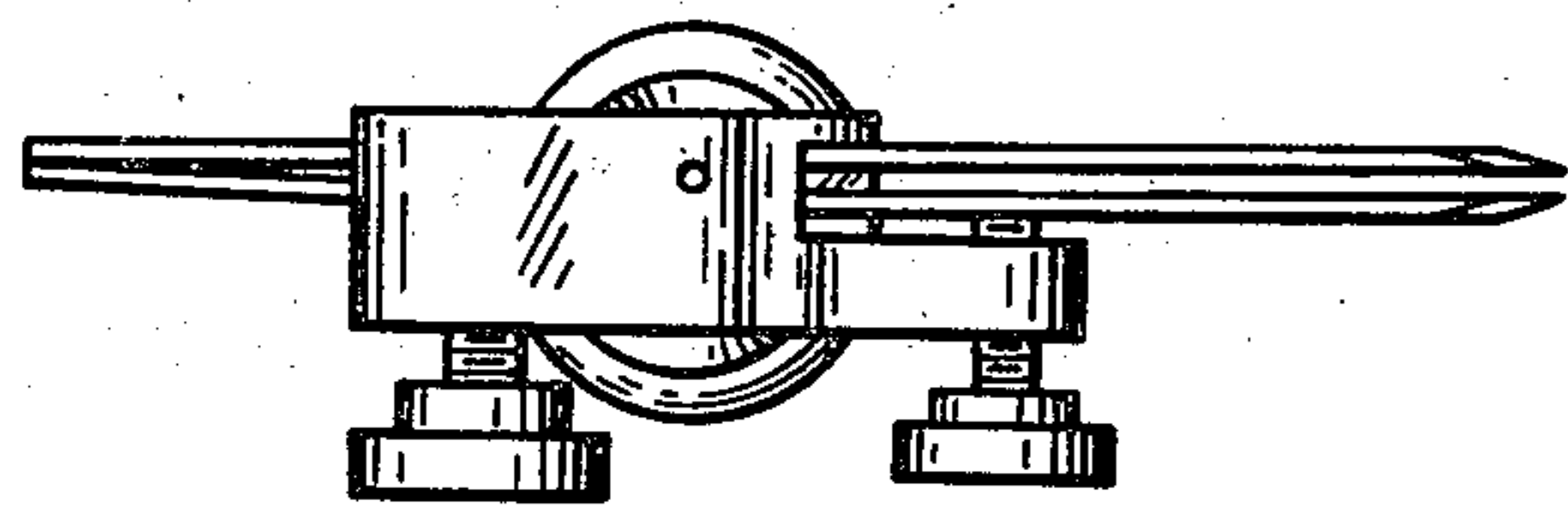


FIG. 3

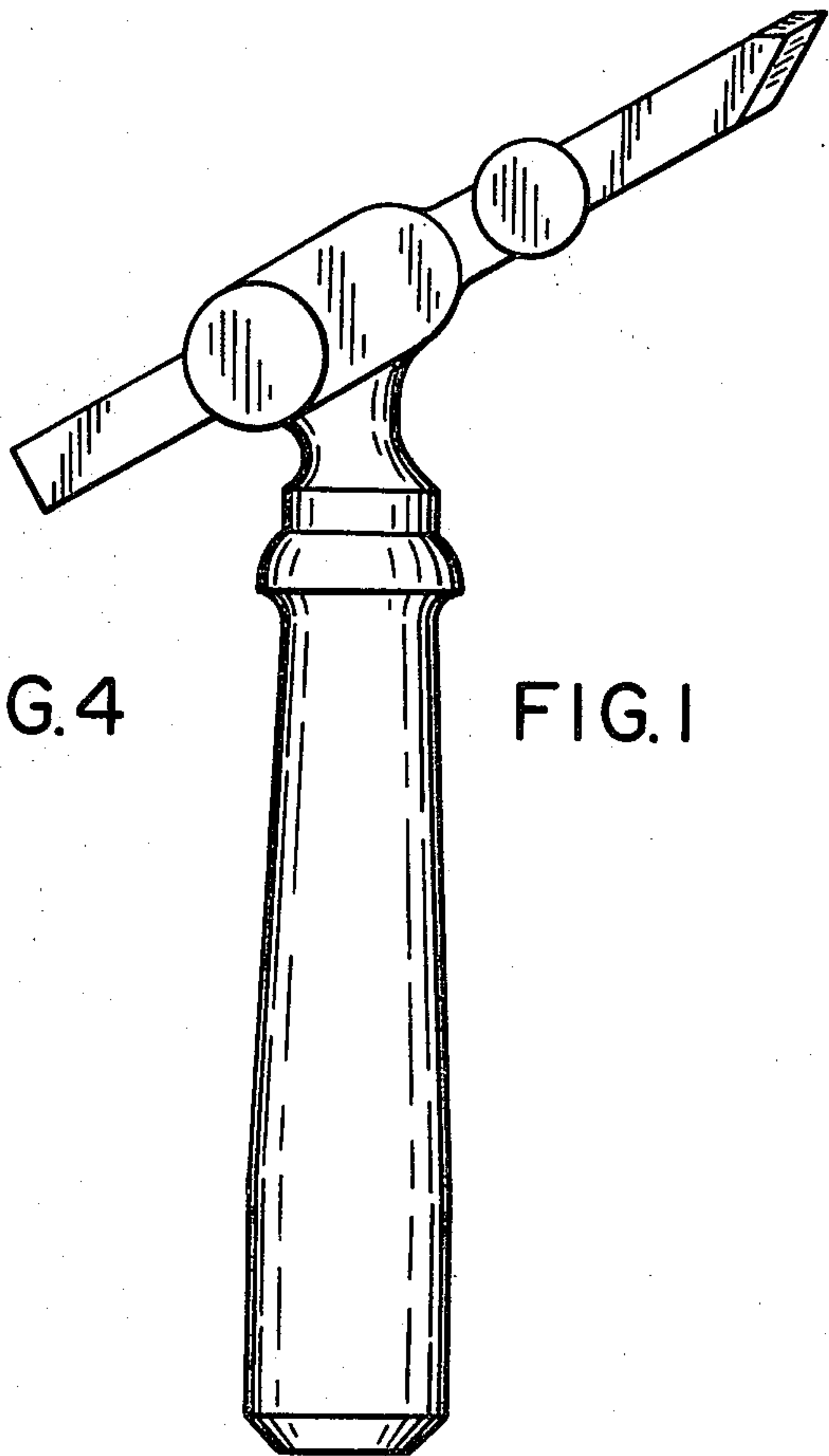


FIG. 1

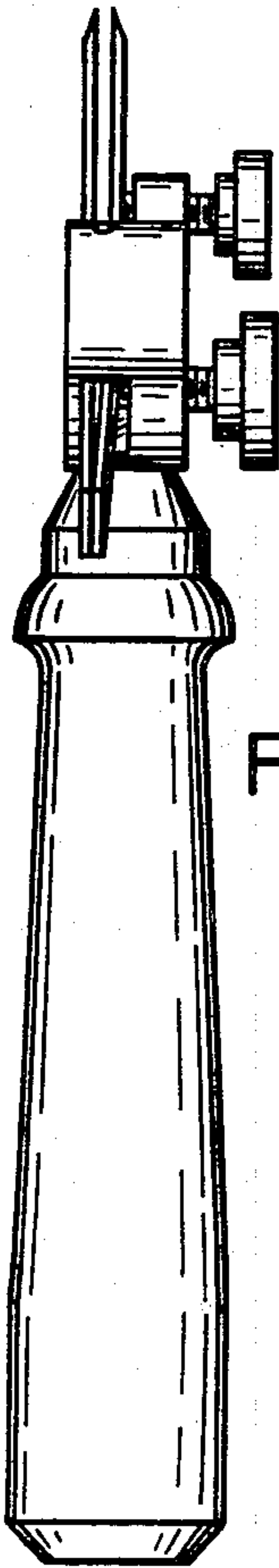


FIG. 4

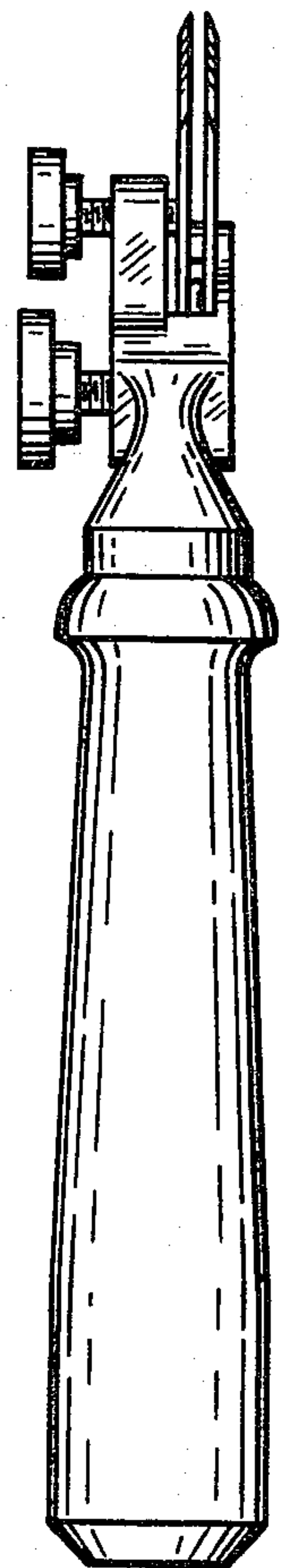


FIG. 5

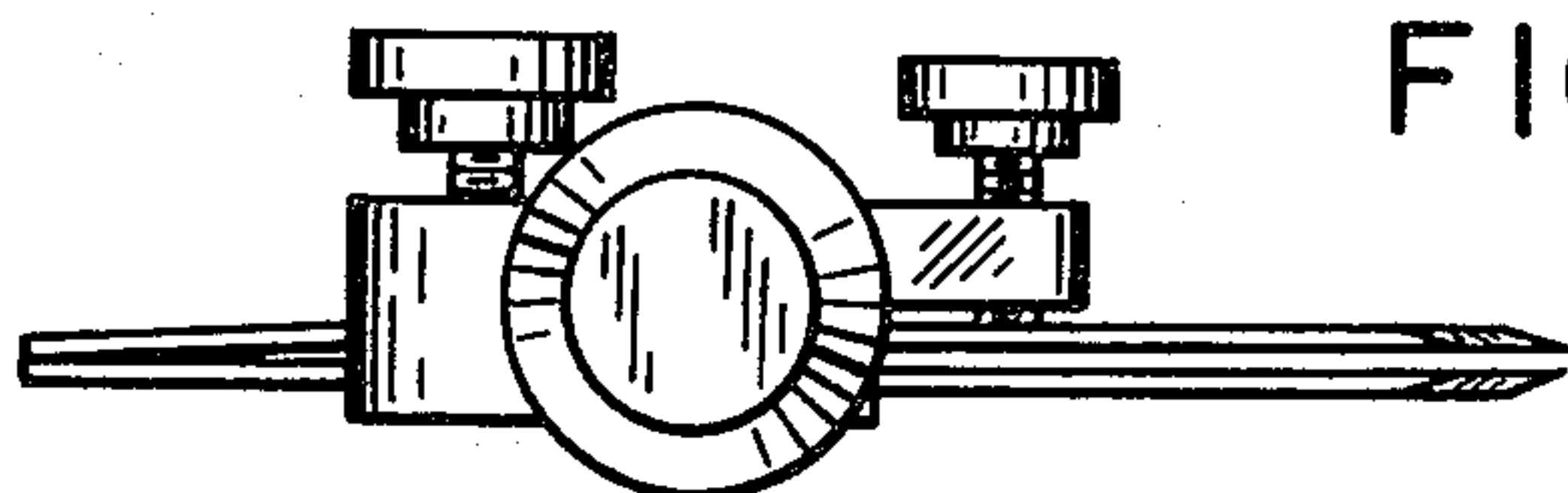


FIG. 6