

[54] GOLF RAKE

[76] Inventor: Laurie J. Cochrane, 17 Derby St.,
Devonport, Auckland, New Zealand

[**] Term: 14 Years

[21] Appl. No.: 445,525

[22] Filed: Nov. 30, 1982

[30] Foreign Application Priority Data

Jun. 4, 1982 [NZ] New Zealand 17732

[52] U.S. Cl. D8/13

[58] Field of Search D8/1-13;
172/375, 378, 380; 56/400.01, 400.11, 400.19,
400.21

[56] References Cited

U.S. PATENT DOCUMENTS

D. 47,021	3/1915	Bruce	D8/13
D. 133,489	8/1942	Wurster	D8/6
381,169	4/1888	Rhodes	56/400.21
763,885	6/1904	Hart	D8/13
1,477,302	12/1923	Swartz	D8/13
1,515,927	11/1924	Claire	56/400.11

2,726,504	12/1953	Poluska	172/375
2,795,923	6/1957	Kapuisin	D8/13

FOREIGN PATENT DOCUMENTS

550628	11/1956	Italy	172/378
1919	3/1889	Sweden	372/
114765	4/1918	United Kingdom	56/400.01
937961	9/1963	United Kingdom	172/380

OTHER PUBLICATIONS

Stile Industria, Rake upper left corner, p. 39.

Primary Examiner—Wallace R. Burke

Assistant Examiner—Horace B. Fay

Attorney, Agent, or Firm—Browdy and Neimark

[57] CLAIM

The ornamental design for a golf rake, as shown.

DESCRIPTION

FIG. 1 is a front perspective view of a golf rake showing my new design;
FIG. 2 is a front elevational view thereof;
FIG. 3 is a bottom plan view thereof;
FIG. 4 is a right end view thereof.

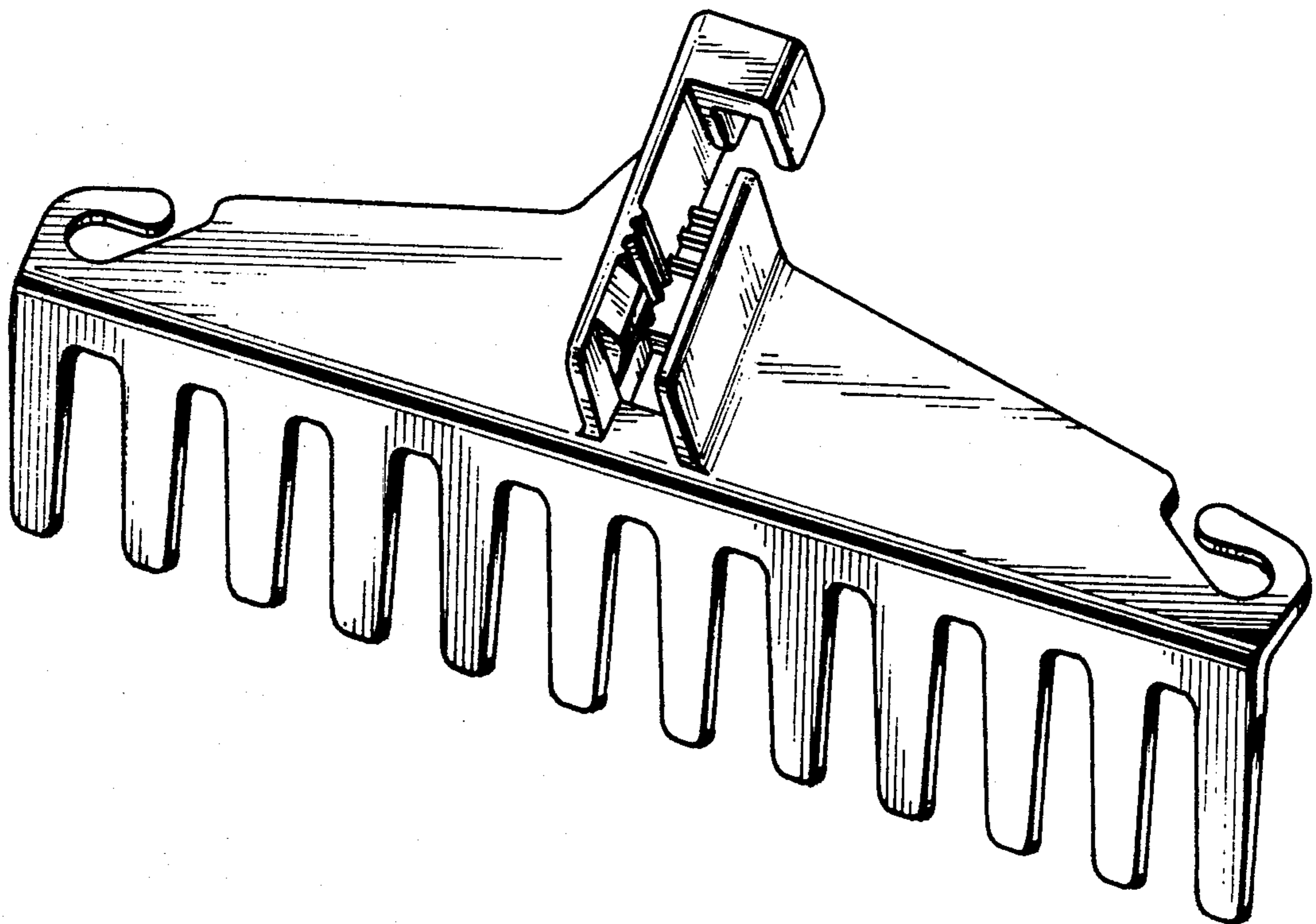


FIG. 1

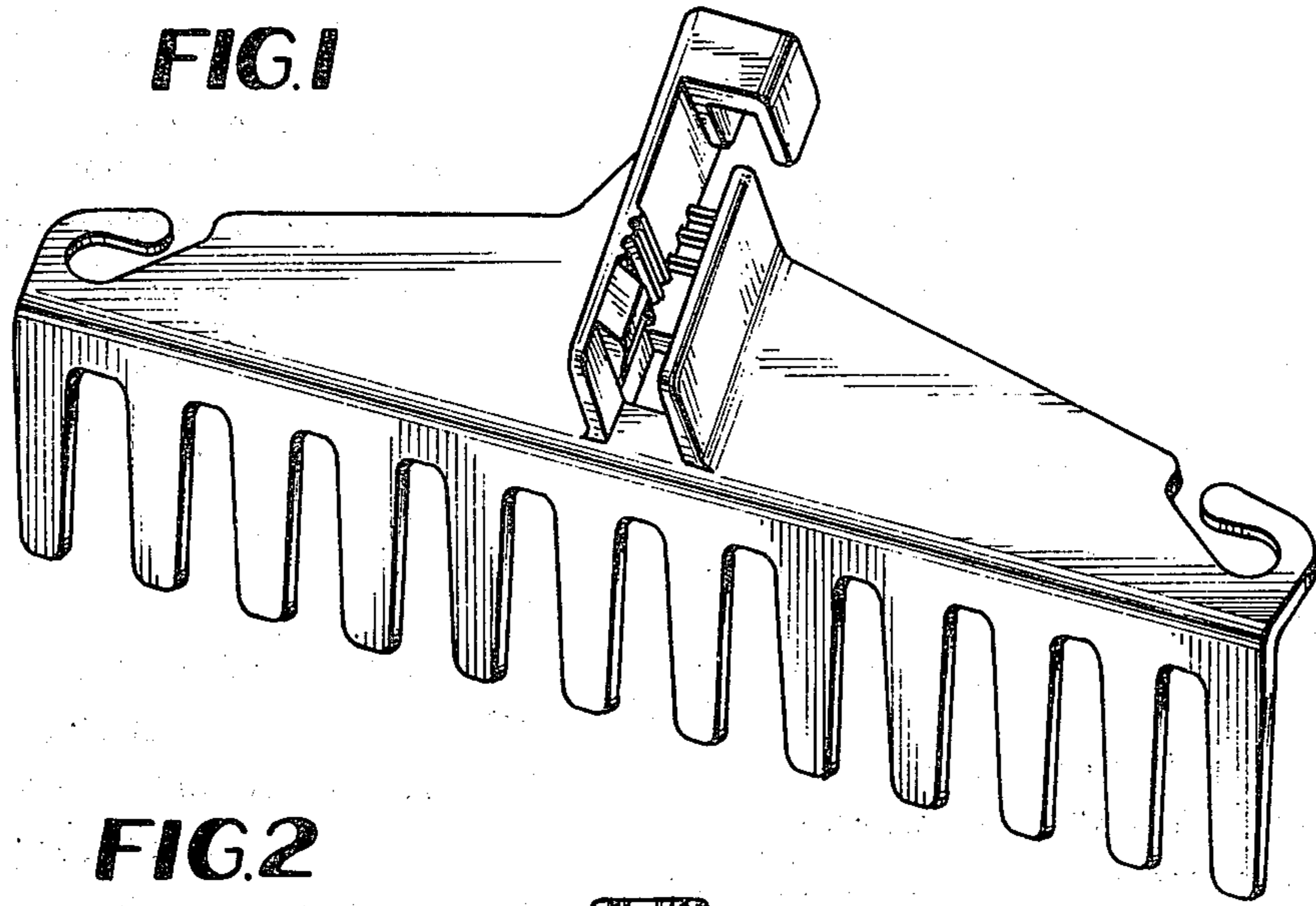


FIG. 2

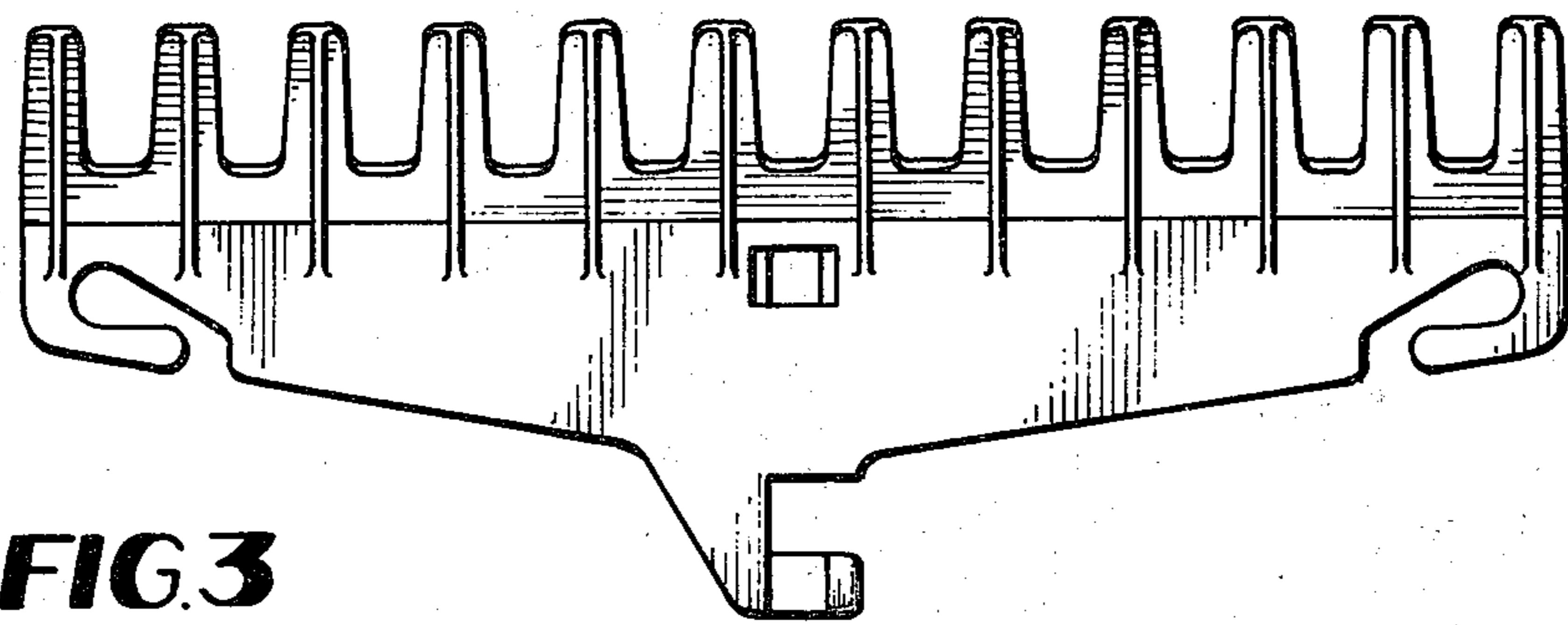
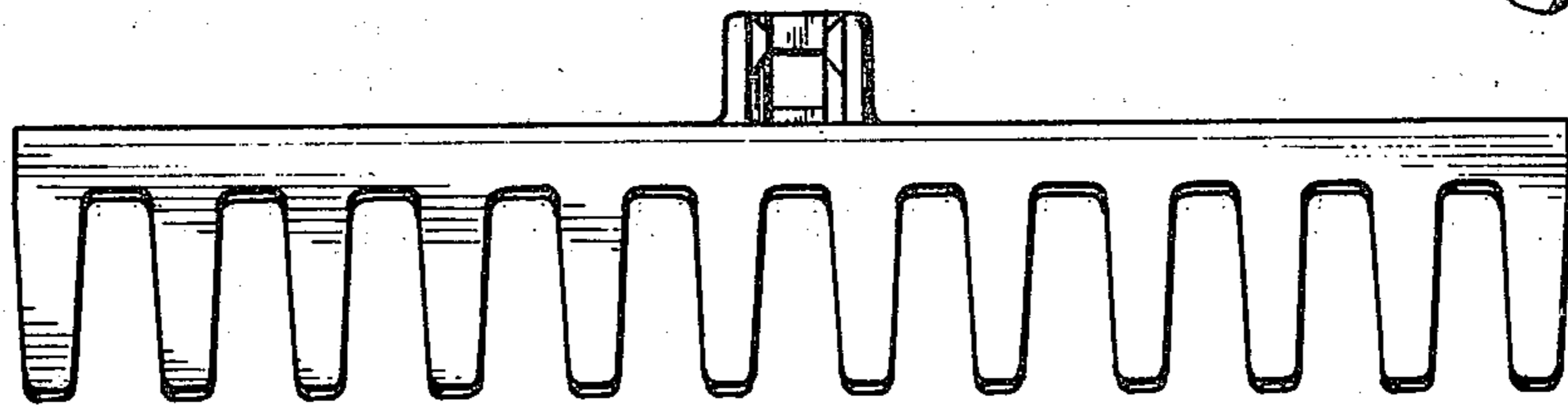


FIG. 3

FIG. 4

