

[54] WALL TABLE

[75] Inventors: Anthony Brescia, Liverpool; Ross Deacon, Syracuse, both of N.Y.

[73] Assignee: Syroco Inc., Syracuse, N.Y.

[**] Term: 14 Years

[21] Appl. No.: 355,256

[22] Filed: Mar. 5, 1982

[52] U.S. Cl. D6/114; D6/132; D6/199

[58] Field of Search D6/114, 130, 132-136, D6/199; D8/41, 44, 43, 46; 211/135

[56] References Cited

U.S. PATENT DOCUMENTS

| | | | | |
|------------|---------|-----------------|-------|----------|
| D. 222,805 | 1/1972 | Osborn | | D6/199 |
| D. 234,992 | 4/1975 | Burk | | D6/132 |
| D. 260,832 | 9/1981 | Verdesca et al. | | D6/132 |
| 2,693,400 | 11/1954 | Erickson | | 108/46 X |
| 4,074,635 | 2/1978 | Stauble | | D6/132 X |

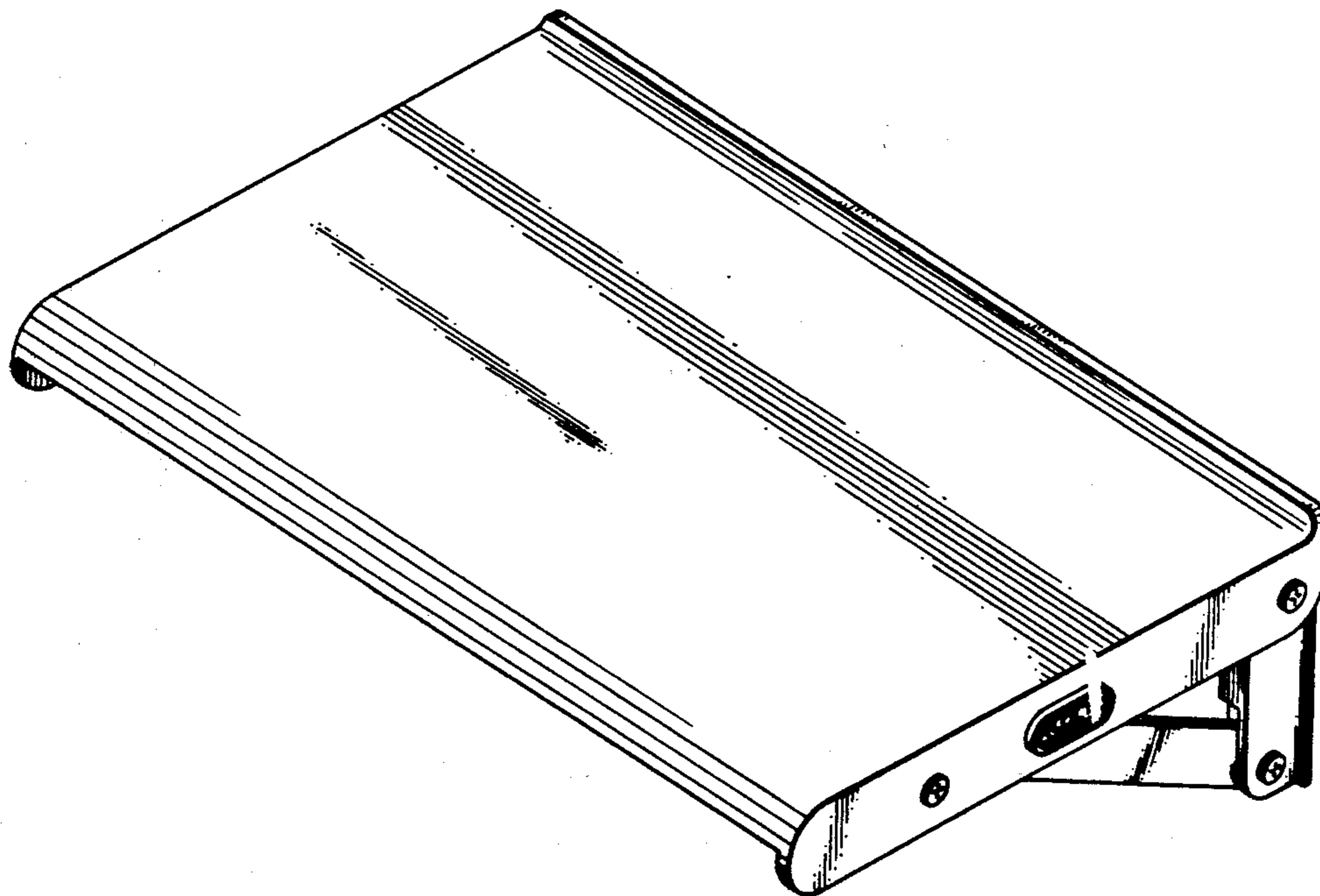
Attorney, Agent, or Firm—Stanley R. Moore; Thomas L. Cantrell; Warren B. Kice
Primary Examiner—Bruce W. Dunkins

[57] CLAIM

The ornamental design for the wall table, as shown and described.

DESCRIPTION

FIG. 1 is a perspective view of the wall table constructed in accordance with the present invention and illustrating our new design;
FIG. 2 is a top plan view of the wall table of FIG. 1;
FIG. 3 is a front elevational view of the wall table of FIG. 1;
FIG. 4 is a bottom plan view of the wall table of FIG. 1;
FIG. 5 is a rear elevational view of the wall table of FIG. 1;
FIG. 6 is a side elevational view of the wall table of FIG. 1, taken from the left side thereof; and
FIG. 7 is a side elevational view of the wall table of FIG. 1, taken from the right side thereof.



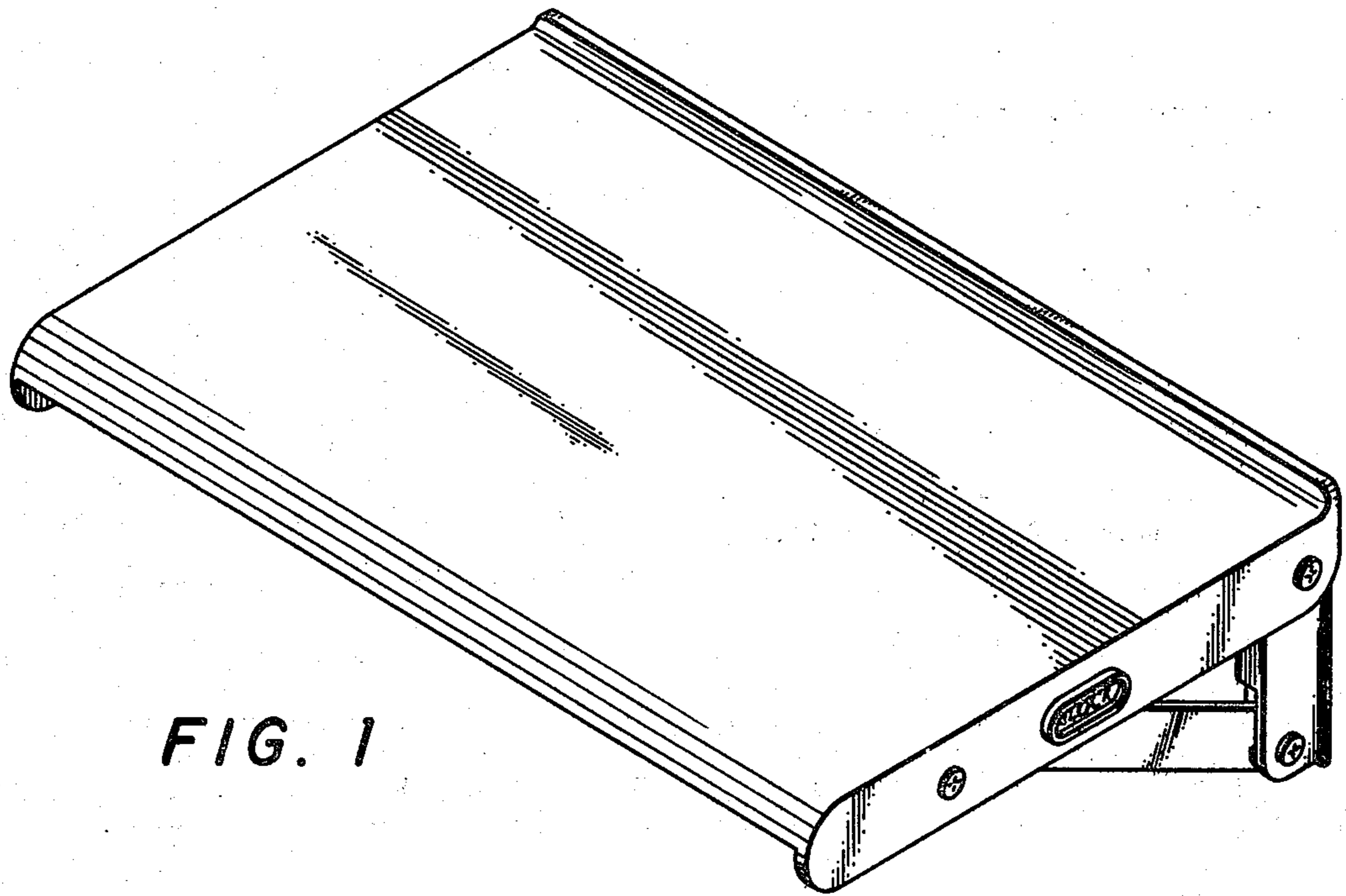


FIG. 1

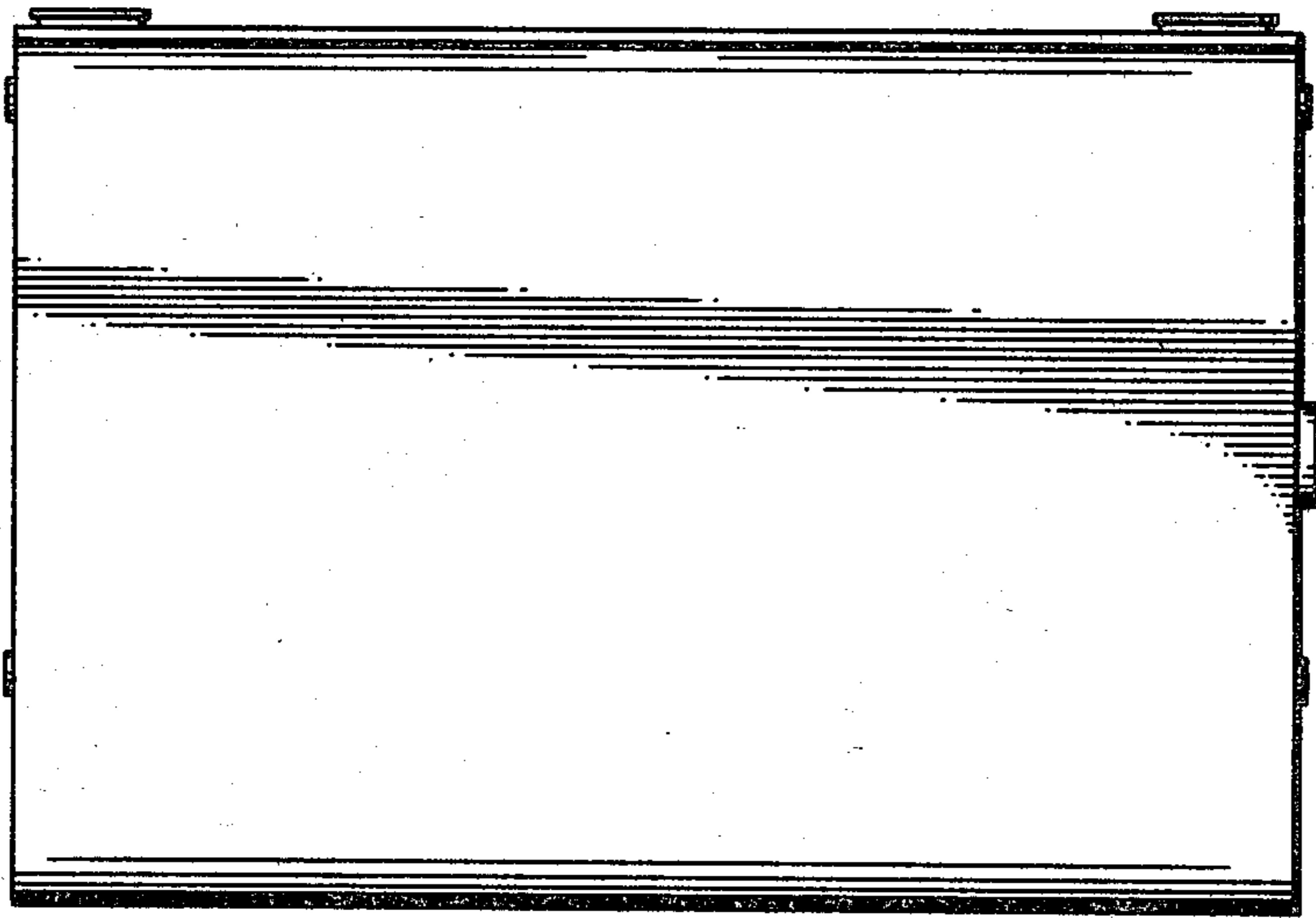


FIG. 2

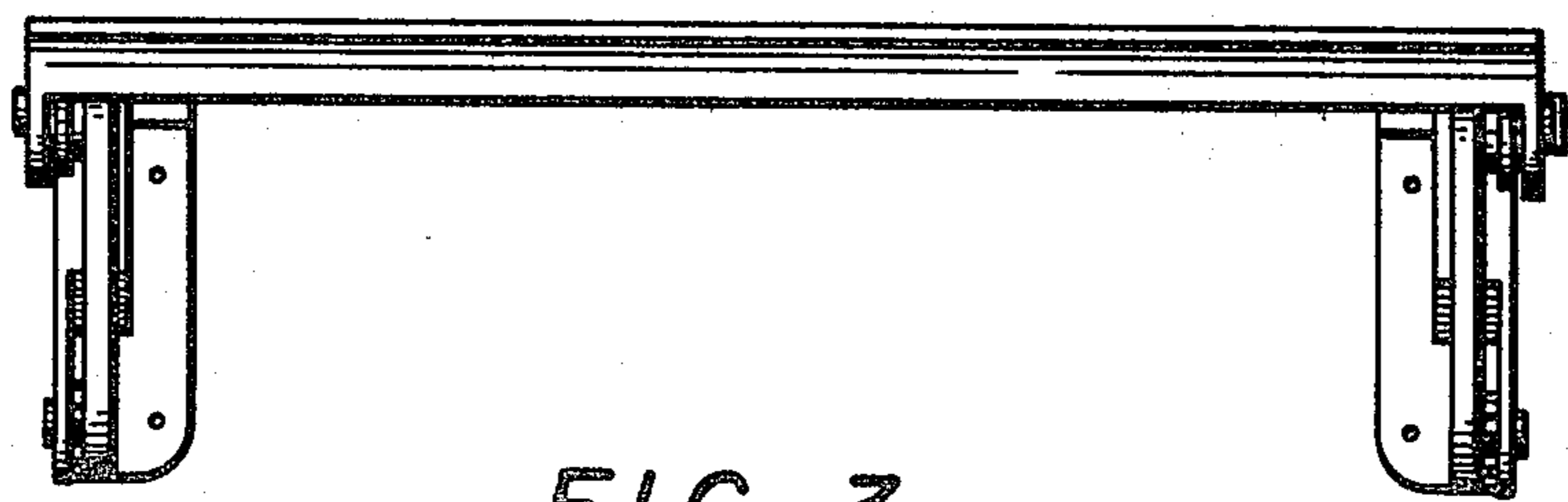


FIG. 3

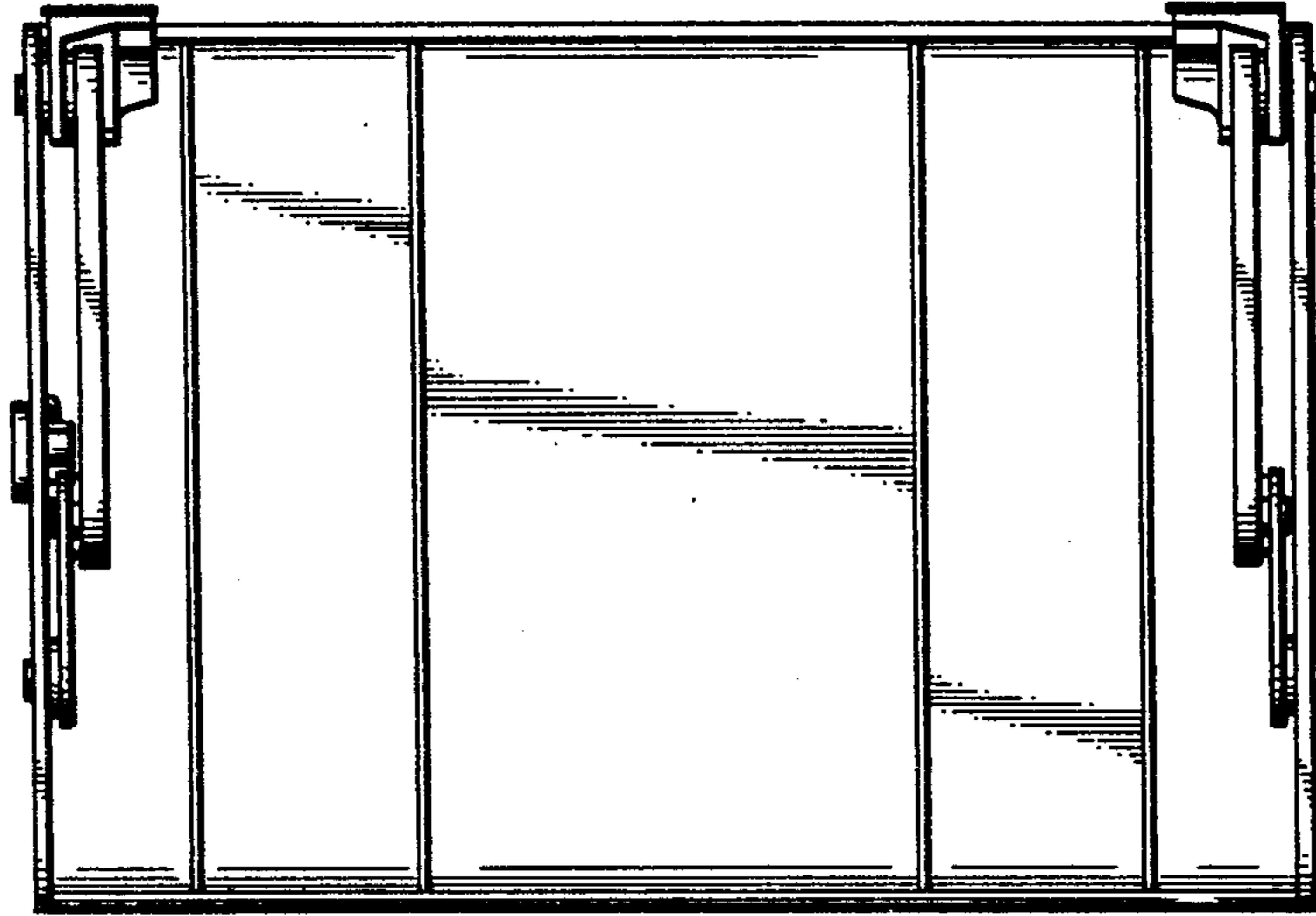


FIG. 4

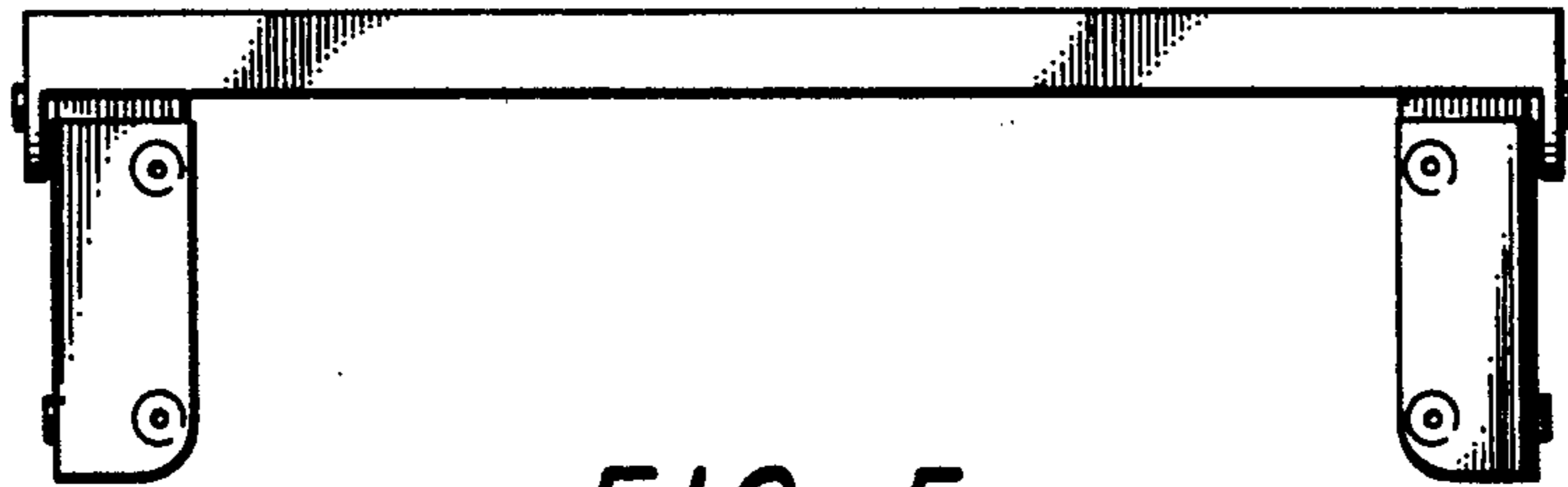


FIG. 5

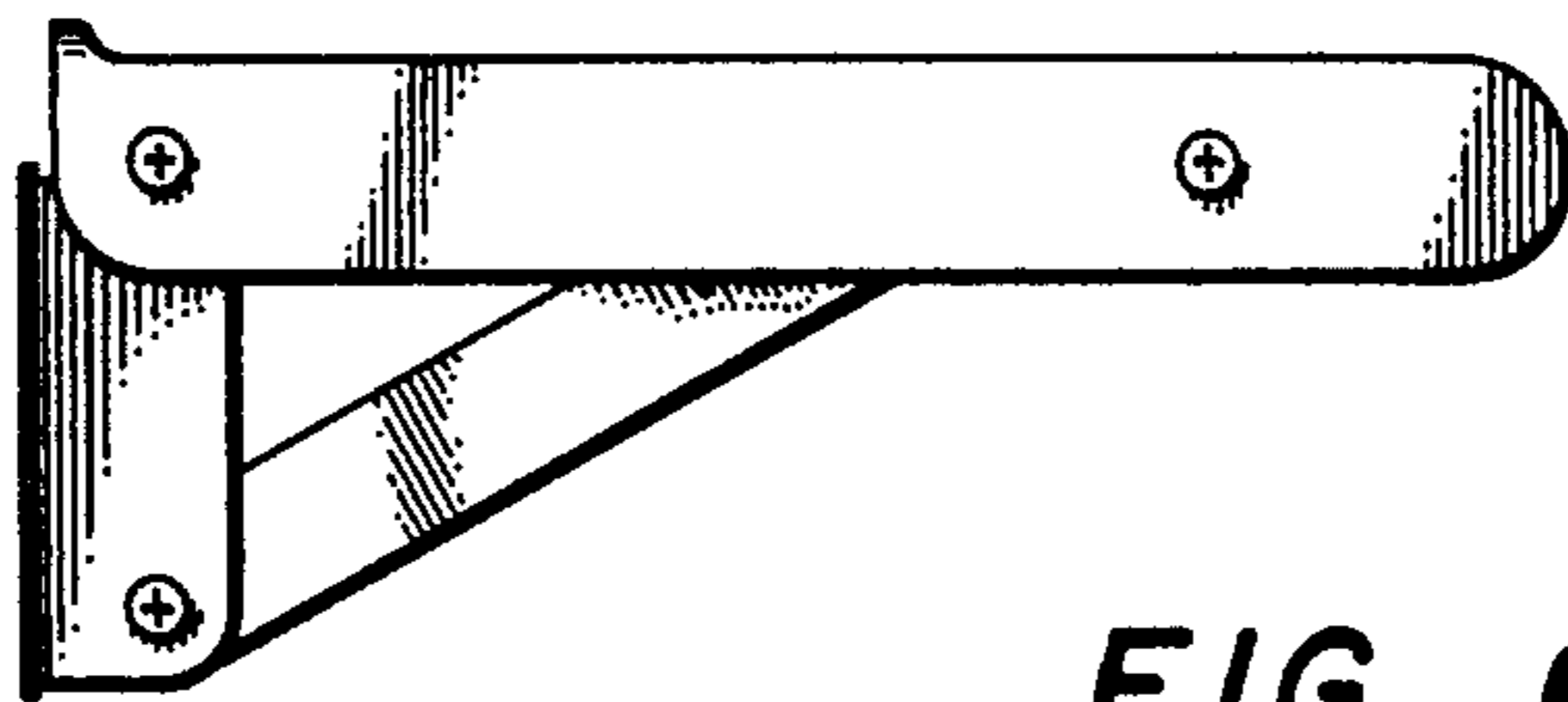


FIG. 6

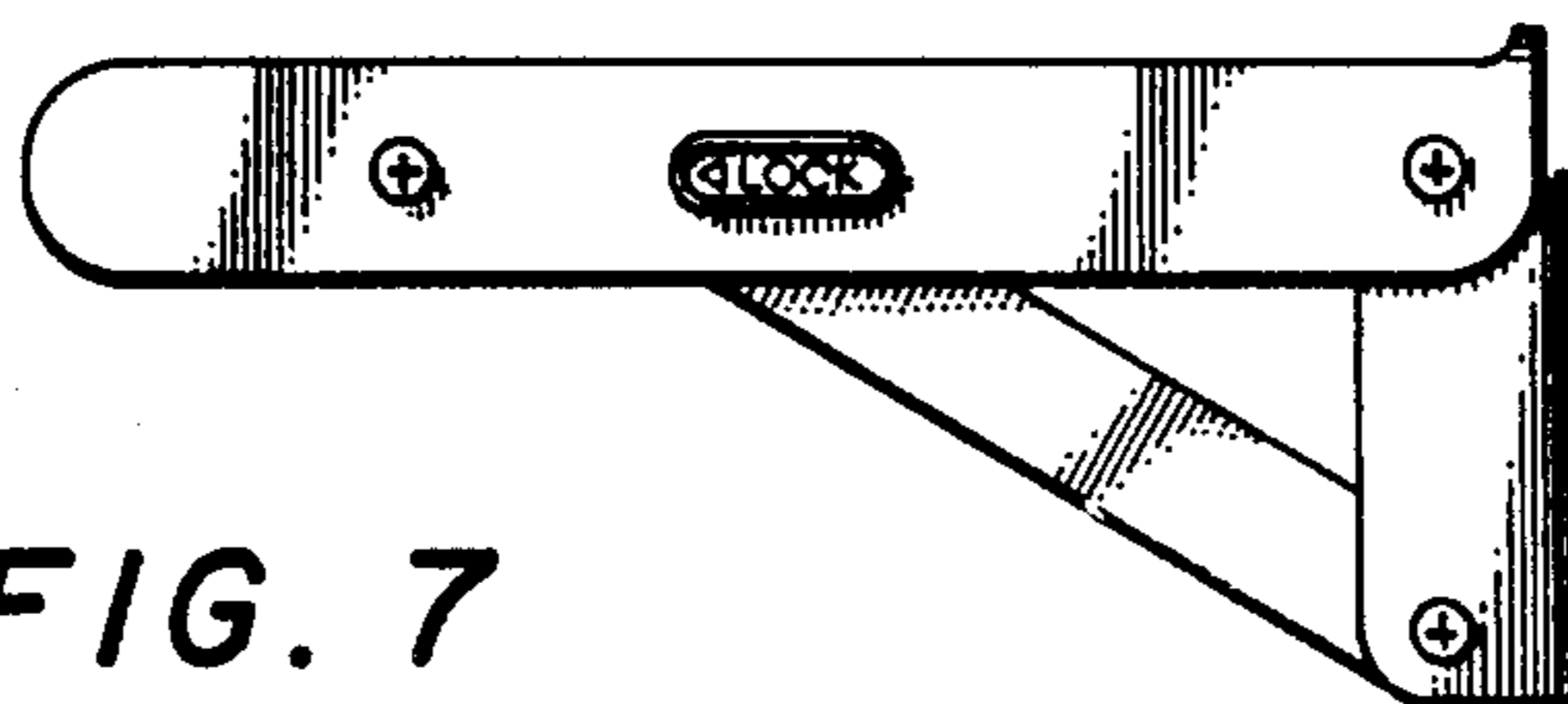


FIG. 7