

[54] LECTERN

[76] Inventor: Chi H. You, 3, Alley 23, Shang Tien La., Hsin Hsing Rd., Ta Li Hsiang, Taichung Hsien, Taiwan

[**] Term: 14 Years

[21] Appl. No.: 318,977

[22] Filed: Nov. 6, 1981

[52] U.S. Cl. D6/29; D6/18; D6/27; D6/155

[58] Field of Search D6/18, 27, 28, 155, D6/156; 248/441 R, 460, 158, 159

[56] References Cited

U.S. PATENT DOCUMENTS

- D. 139,445 11/1944 Barger D6/18
- D. 186,895 12/1959 Wenger D6/18
- D. 191,360 9/1961 Bolcom D6/18 X
- 4,078,757 3/1978 Waters D6/18 X

OTHER PUBLICATIONS

Office Products, Apr. 1976, p. 62, Single Pedestal Lectern.

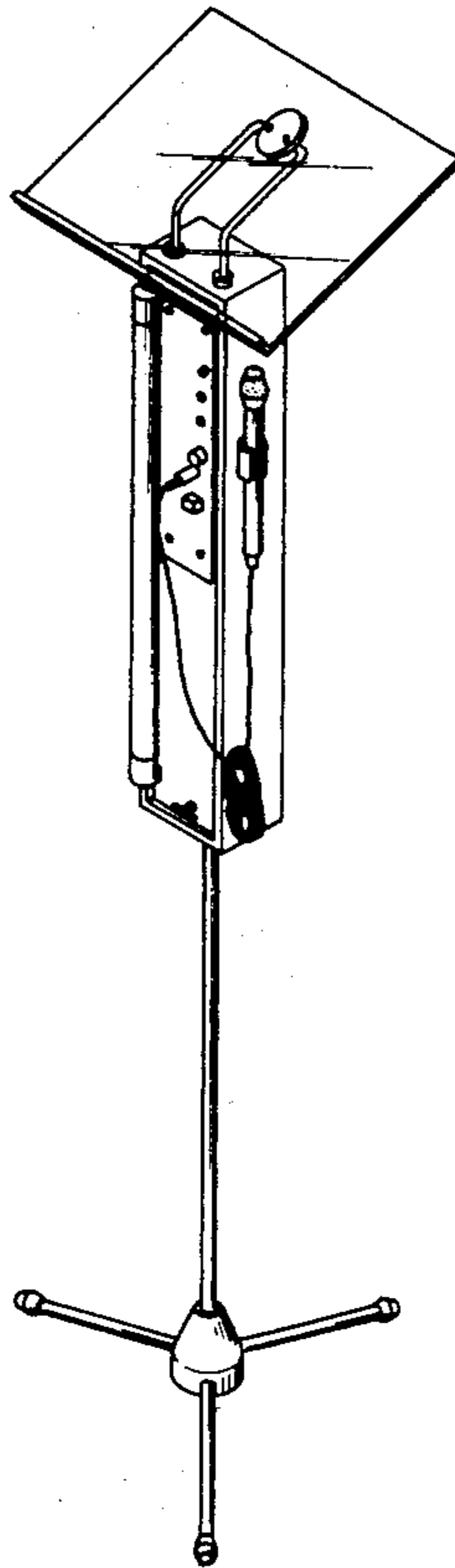
Primary Examiner—Bruce W. Dunkins
Attorney, Agent, or Firm—Armstrong, Nikaido, Marmelstein & Kubovcik

[57] CLAIM

The ornamental design for a lectern, as shown and described.

DESCRIPTION

FIG. 1 is a perspective view of a lectern showing my design; FIG. 2 is a front elevational view; and FIG. 3 is a top plan view on an enlarged scale; FIG. 4 is a rear elevational view; FIG. 5 is a right side elevational view; and FIG. 6 is a bottom plan view of the lectern as shown in FIG. 3.



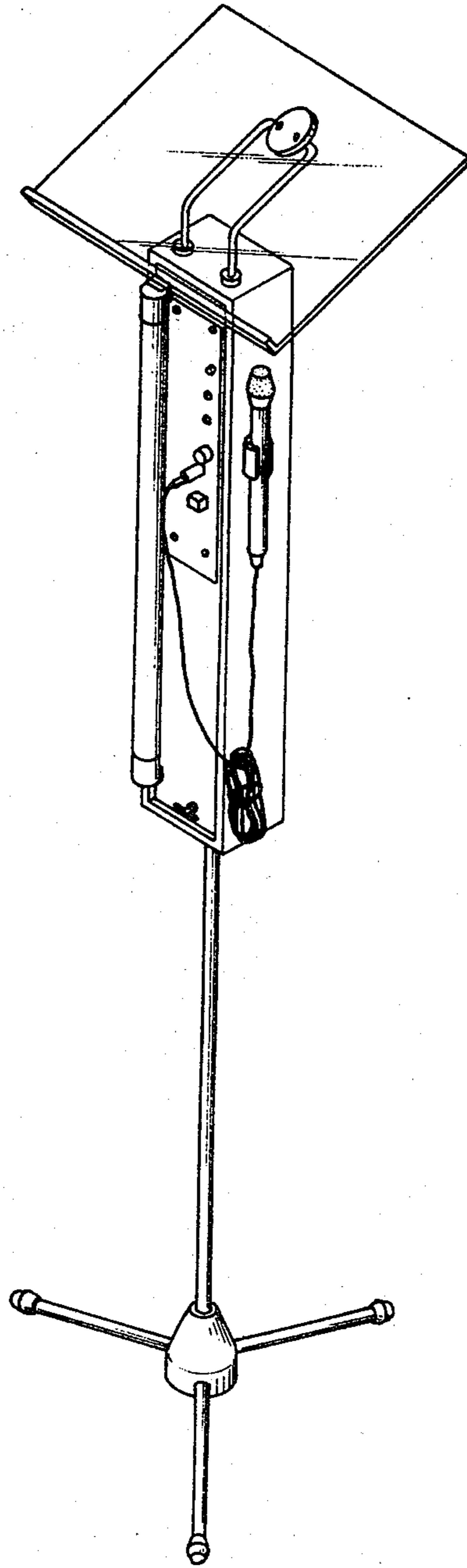


FIG. 1

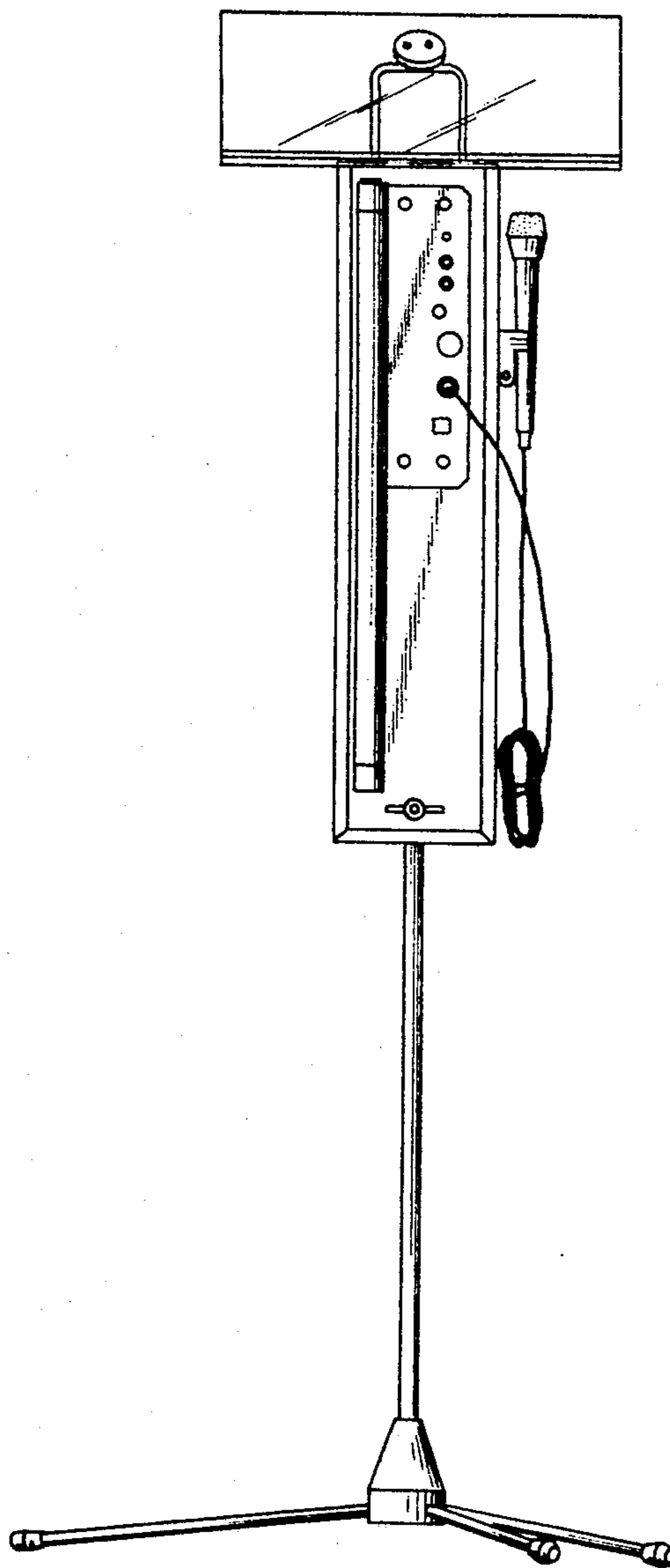


FIG. 2

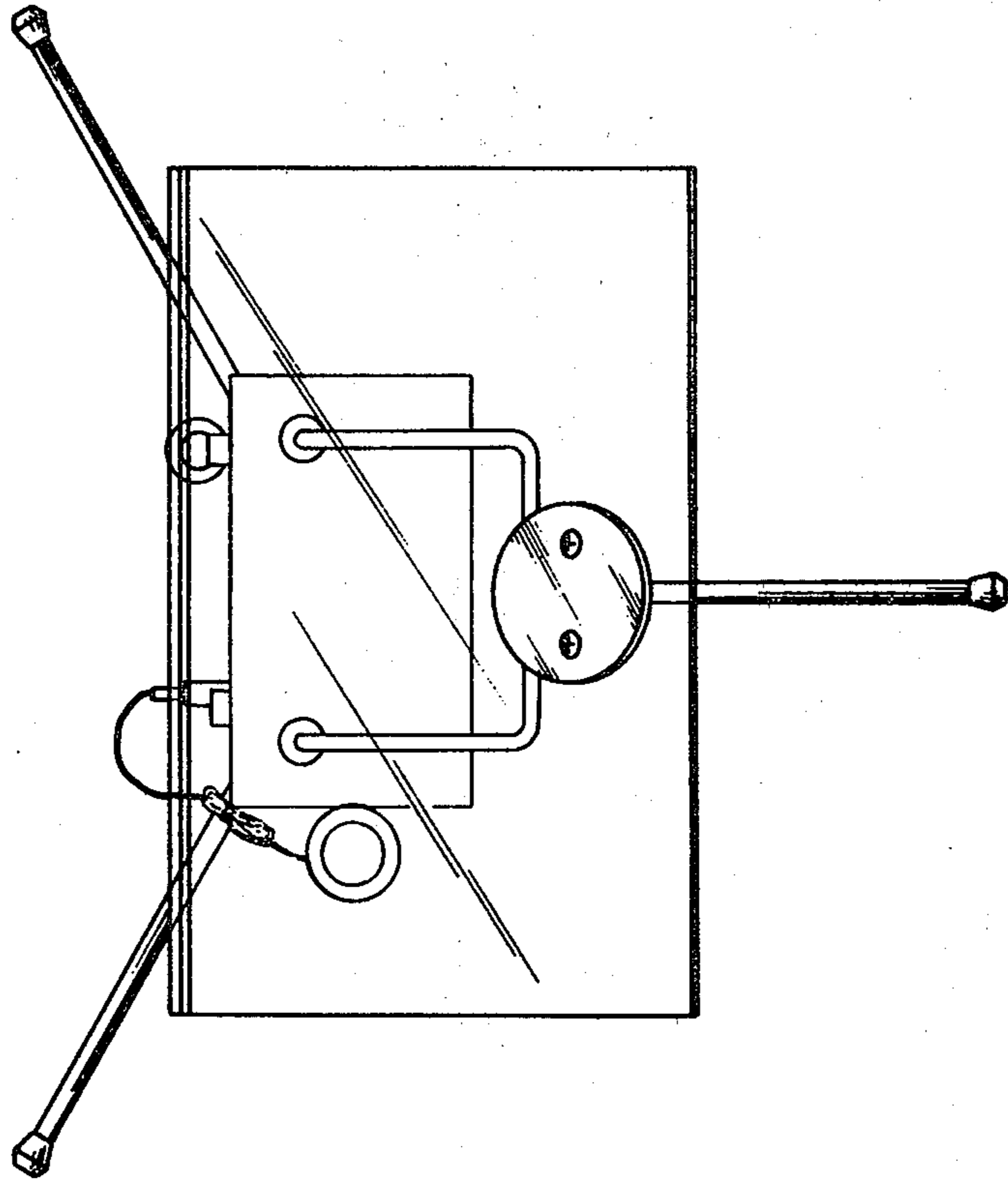


FIG. 3

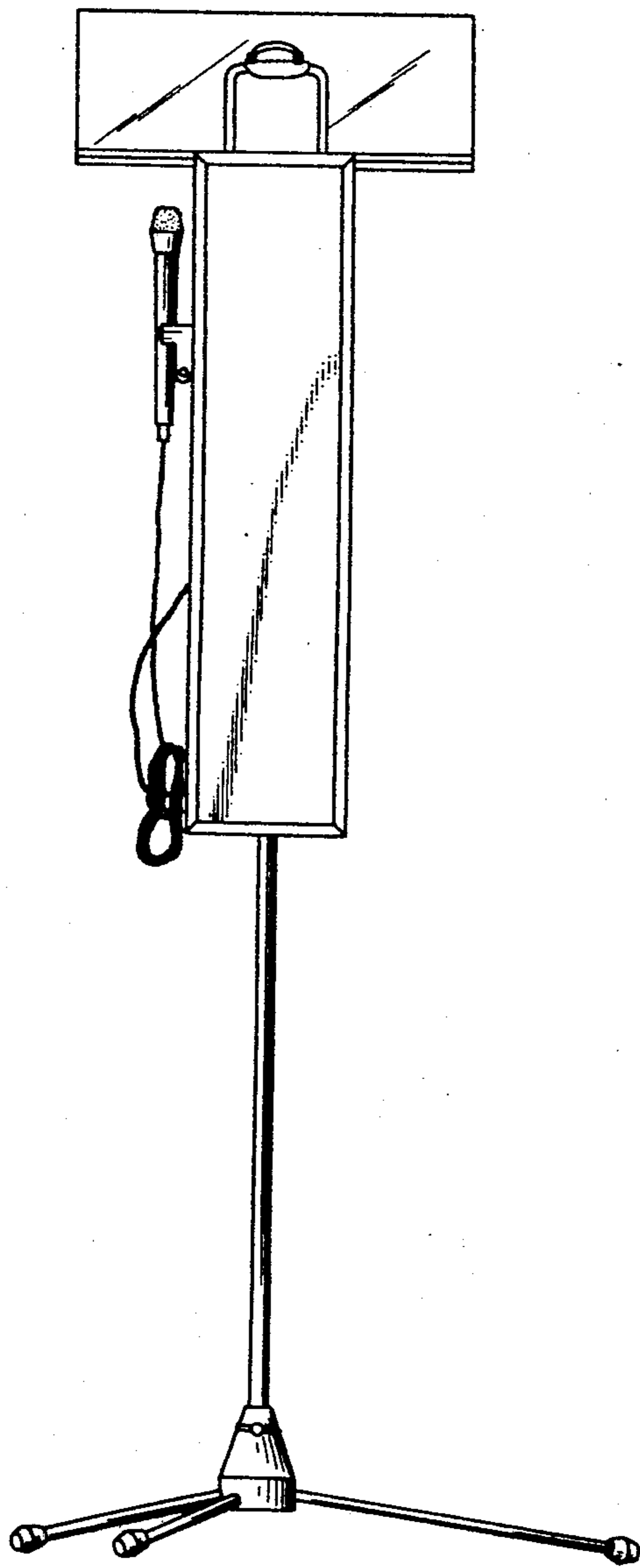


FIG. 4

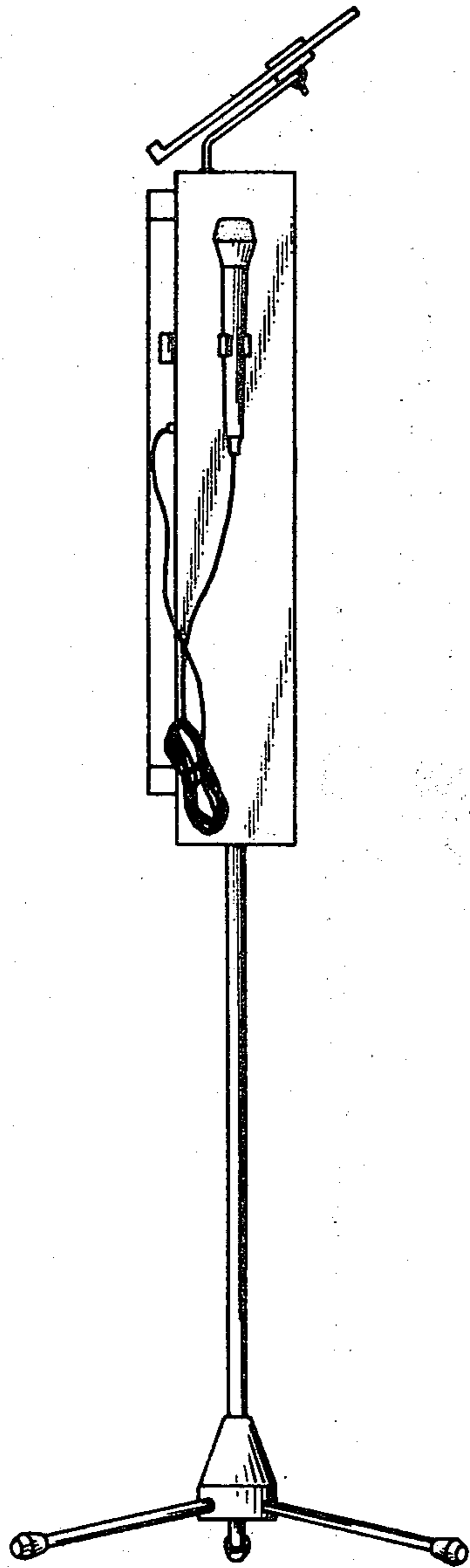


FIG. 5

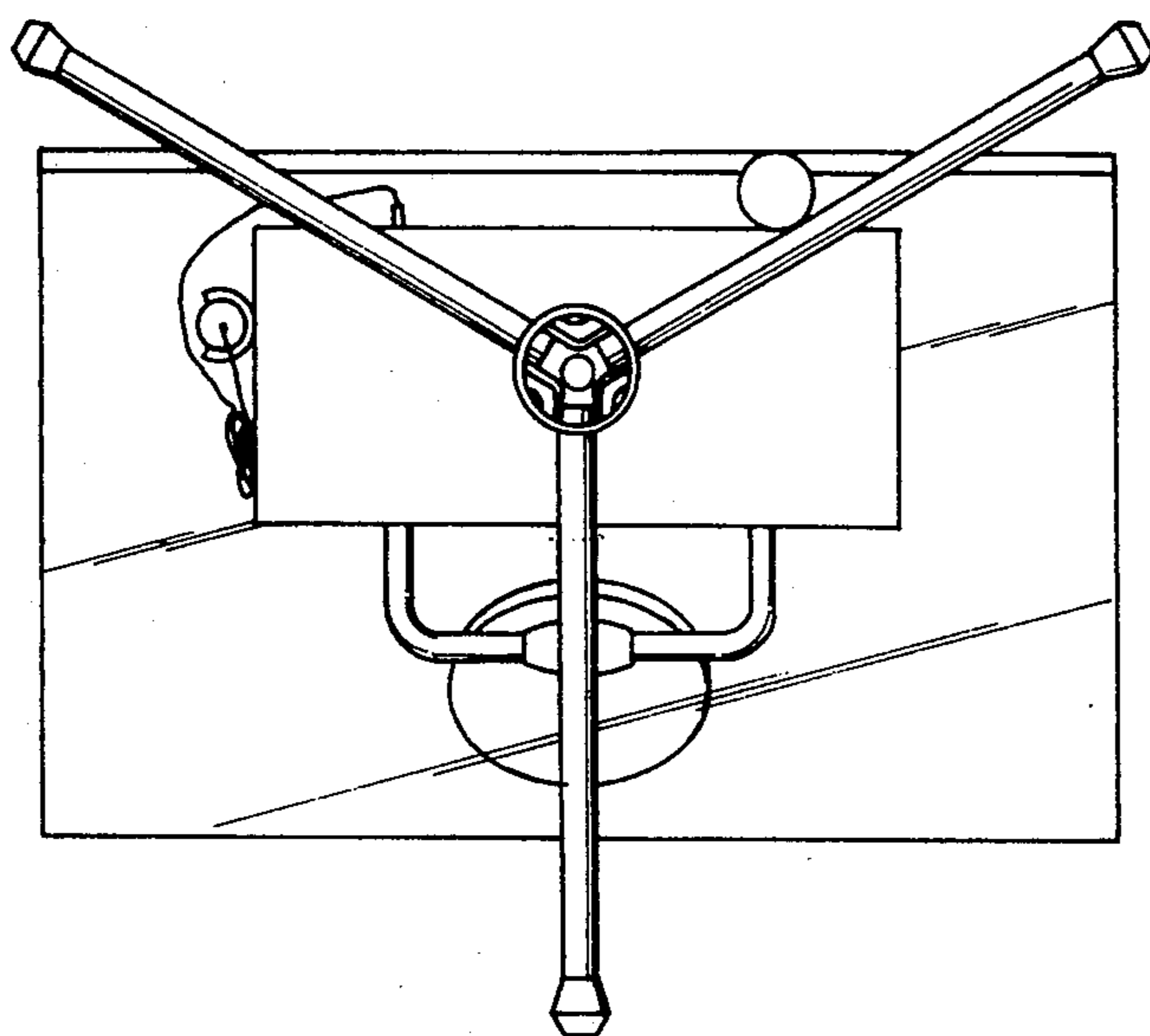


FIG. 6