

[54] IDENTIFICATION BADGE HOLDER WITH SINGLE POCKET

3,216,135 11/1965 Wright ..... 40/1.5  
4,000,570 1/1977 Carmen ..... 40/1.5  
4,259,797 4/1961 Belser ..... 40/1.5

[76] Inventor: Dana C. Belser, P.O. Box 2306, Rockville, Md. 20852

Primary Examiner—George P. Word

[\*\*] Term: 14 Years

[57] CLAIM

[21] Appl. No.: 355,047

The ornamental design for an identification badge holder with single pocket, as shown and described.

[22] Filed: Mar. 5, 1982

DESCRIPTION

[52] U.S. Cl. .... D20/27; D19/10

[58] Field of Search ..... D19/9, 10; D20/22-27; D3/30.1; 40/1.5, 10 R, 10 B, 10 D, 21 R

FIG. 1 is a front perspective view of an identification badge holder with single pocket showing my new design;

[56] References Cited

U.S. PATENT DOCUMENTS

D. 188,251 6/1960 Leone ..... D20/27

FIG. 2 is a front elevational view thereof;

FIG. 3 is a perspective view of a modified form thereof; and

FIG. 4 is a front elevational view thereof.

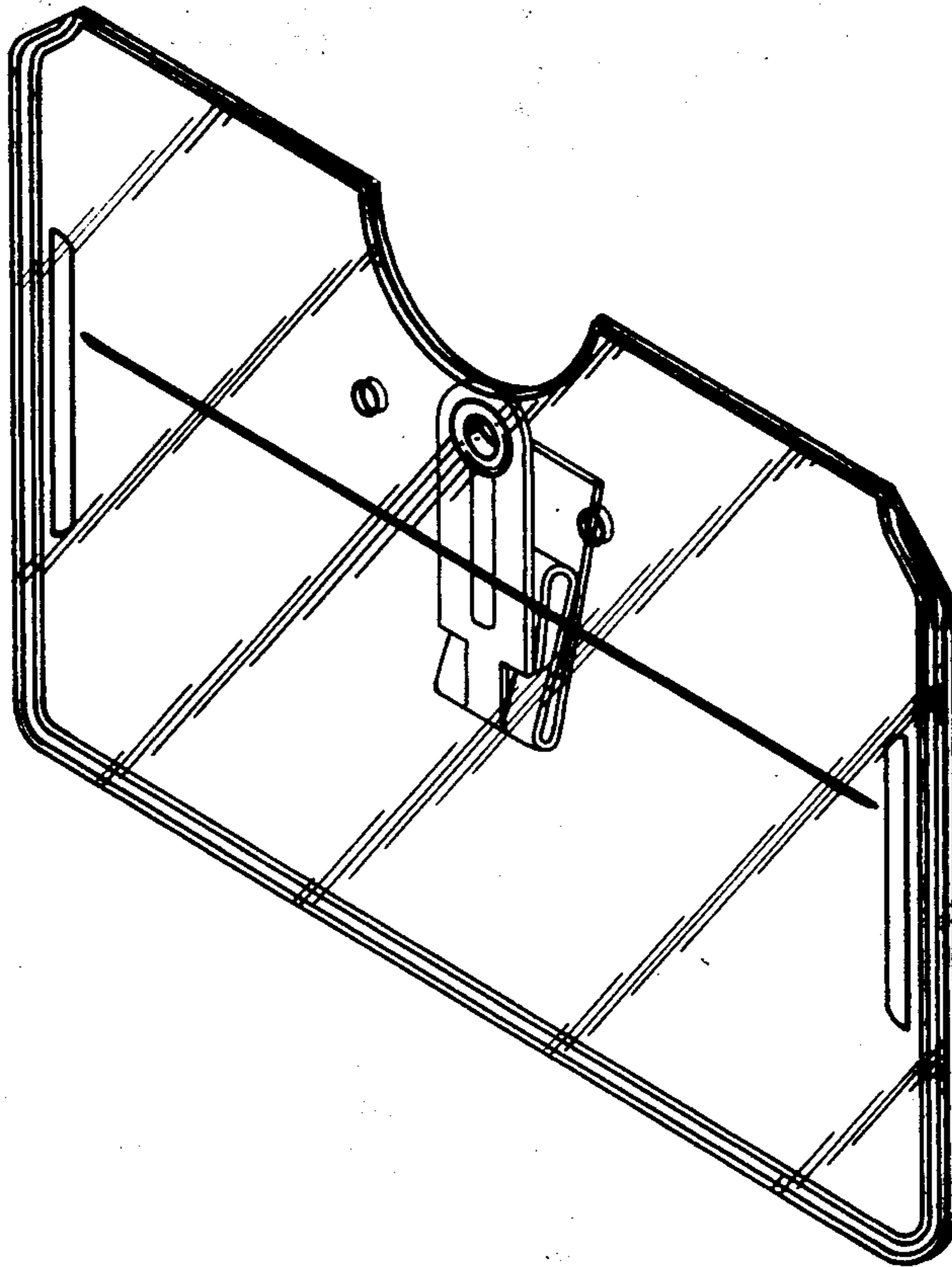


FIG. 1.

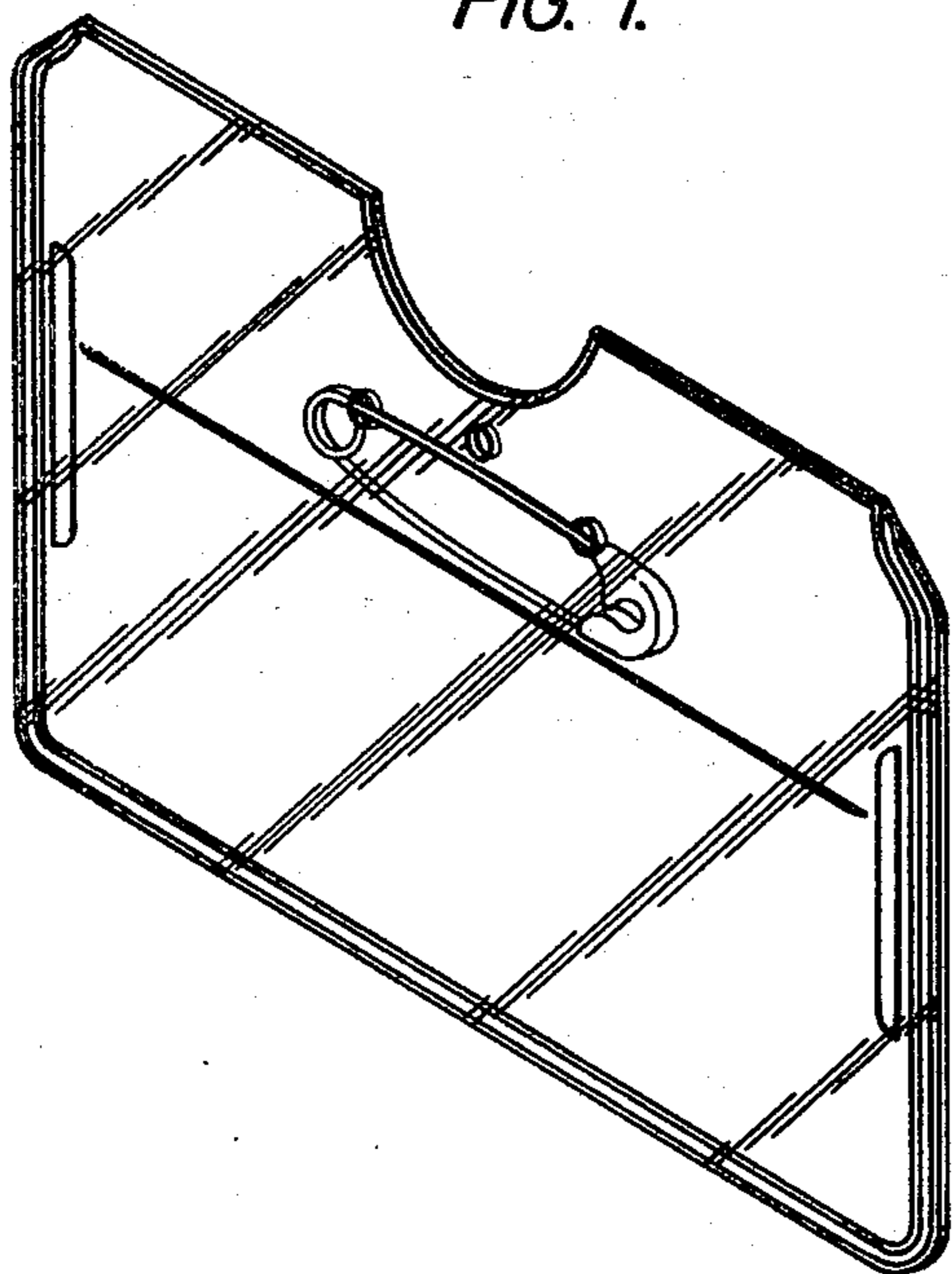


FIG. 2.

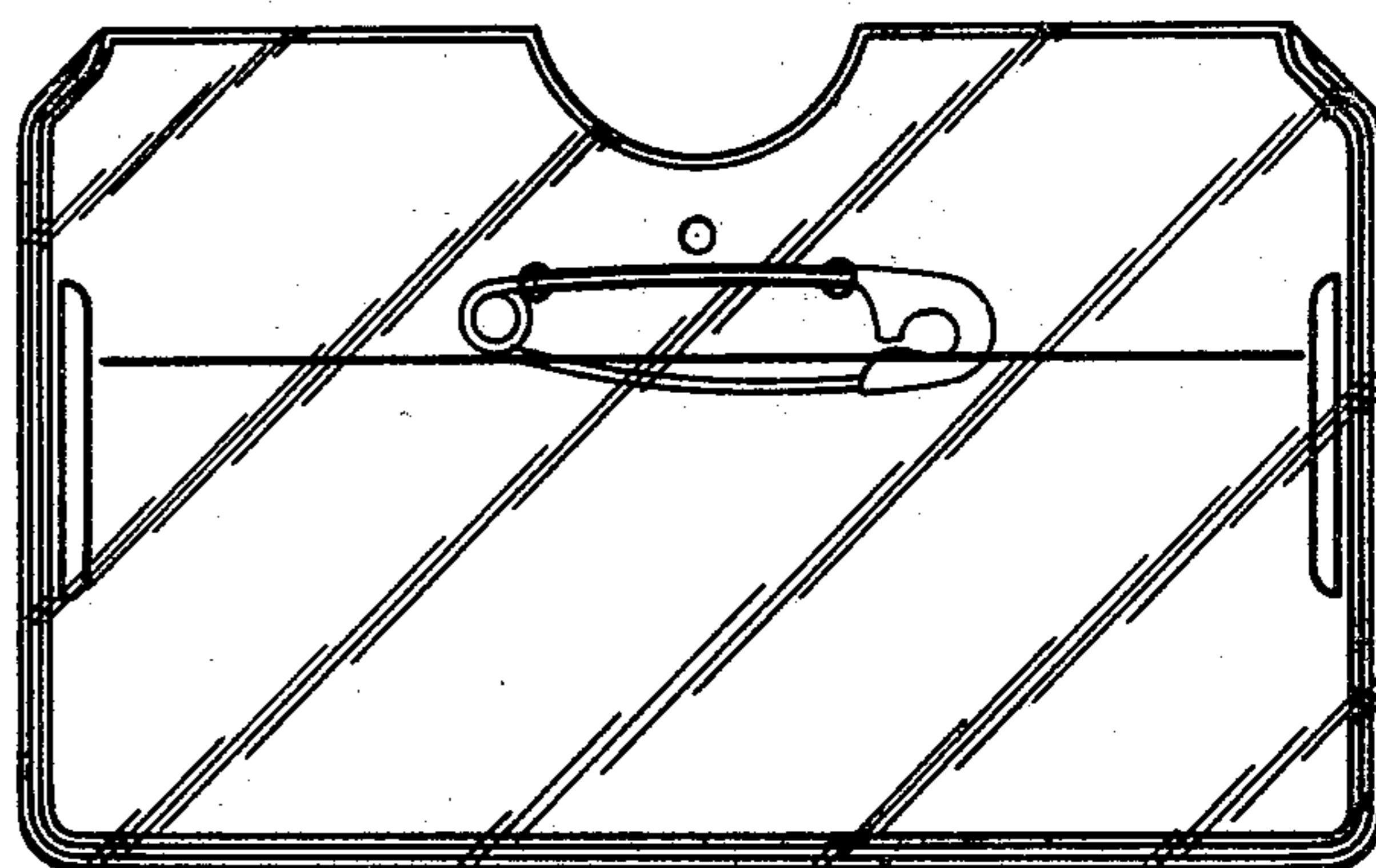


FIG. 3.

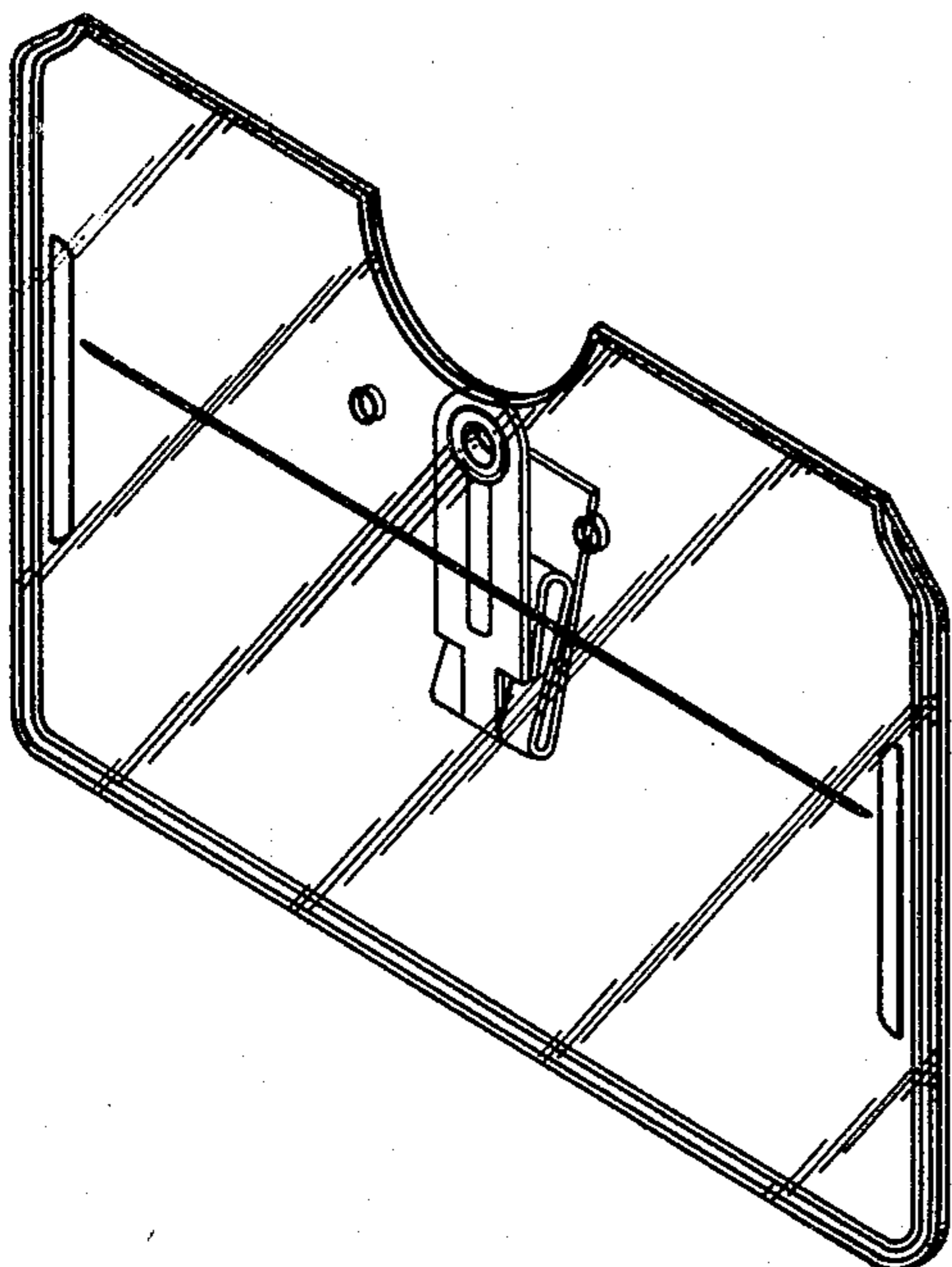


FIG. 4.

