

[54] FEMORAL DRILL JIG FOR THE IMPLANTATION OF A PROSTHETIC KNEE

[75] Inventor: Robert V. Kenna, Hackensack, N.J.

[73] Assignee: Howmedica, Inc., New York, N.Y.

[**] Term: 14 Years

[21] Appl. No.: 350,125

[22] Filed: Feb. 18, 1982

[52] U.S. Cl. D24/26

[58] Field of Search 3/1.911, 1.91, 1.92; 128/303 R, 305, 92 R, 92 EB, 92 EC, 92 ED, 92 C, 92 E; D24/26, 33

[56] References Cited

U.S. PATENT DOCUMENTS

| | | | | |
|------------|--------|----------|-------|-----------|
| D. 230,096 | 1/1974 | Rylee | | D24/26 |
| D. 230,098 | 1/1974 | Rylee II | | D24/26 |
| D. 245,918 | 9/1977 | Shen | | D24/26 |
| 2,500,370 | 3/1950 | McKibben | | 128/92 EB |
| 3,892,232 | 7/1975 | Nevfeld | | 128/92 EB |
| 4,211,228 | 7/1980 | Cloutier | | 128/92 E |

OTHER PUBLICATIONS

Zimmer USA, Product Encyclopedia, ©1978; p. A-95, item #1332-10 Femoral Jig.

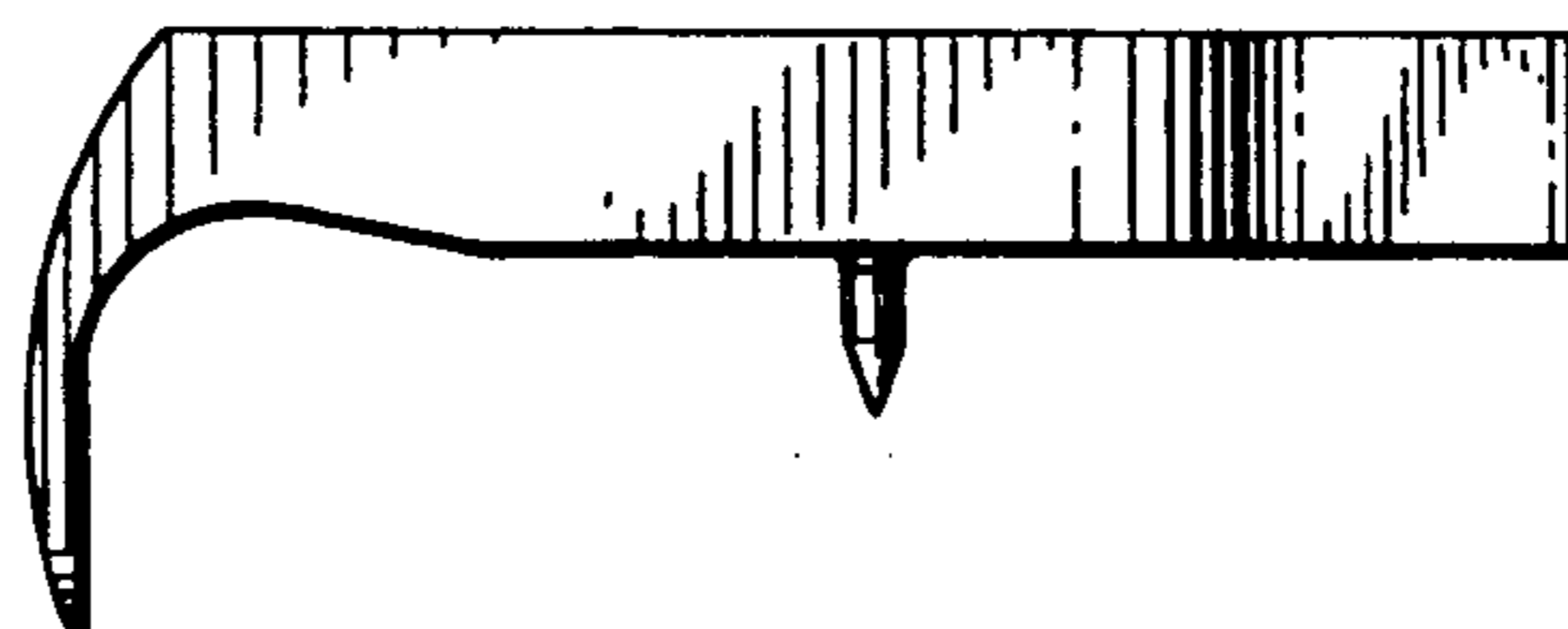
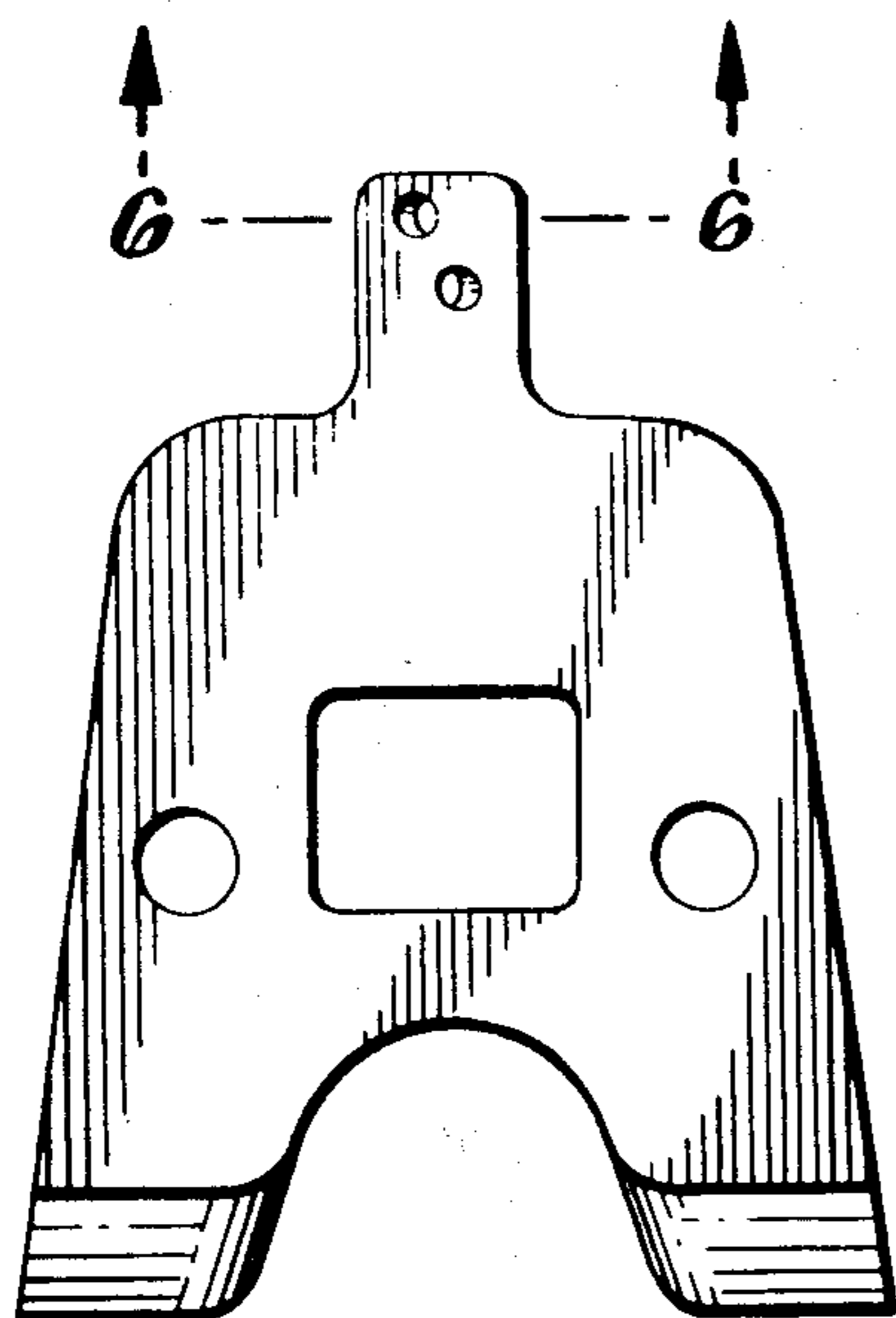
Primary Examiner—Bernard Ansher
Attorney, Agent, or Firm—Connolly and Hutz

[57] CLAIM

The ornamental design for a femoral drill jig for the implantation of a prosthetic knee substantially as shown and described.

DESCRIPTION

FIG. 1 is a bottom plan view of a femoral drill jig for the implantation of a prosthetic knee of my new design; FIG. 2 is a front elevation view of the femoral drill jig shown in FIG. 1; FIG. 3 is a rear elevation view of the femoral drill jig shown in FIGS. 1-2; FIG. 4 is a side elevation view of the femoral drill jig shown in FIGS. 1-3; FIG. 5 is a top plan view of the femoral drill jig shown in FIGS. 1-4; and FIG. 6 is a cross-sectional view taken through FIG. 2 along the line 6-6.



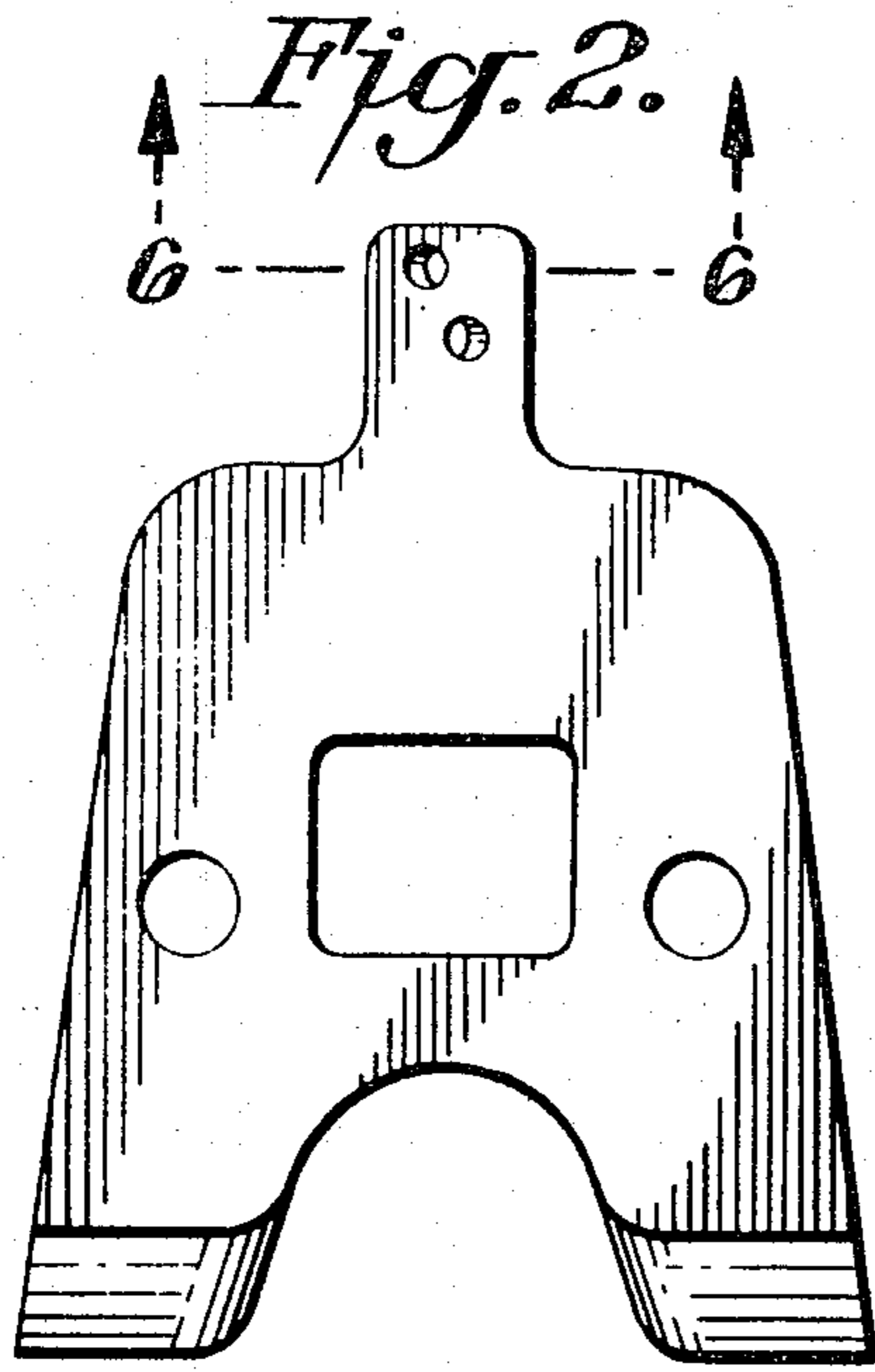


Fig. 1.

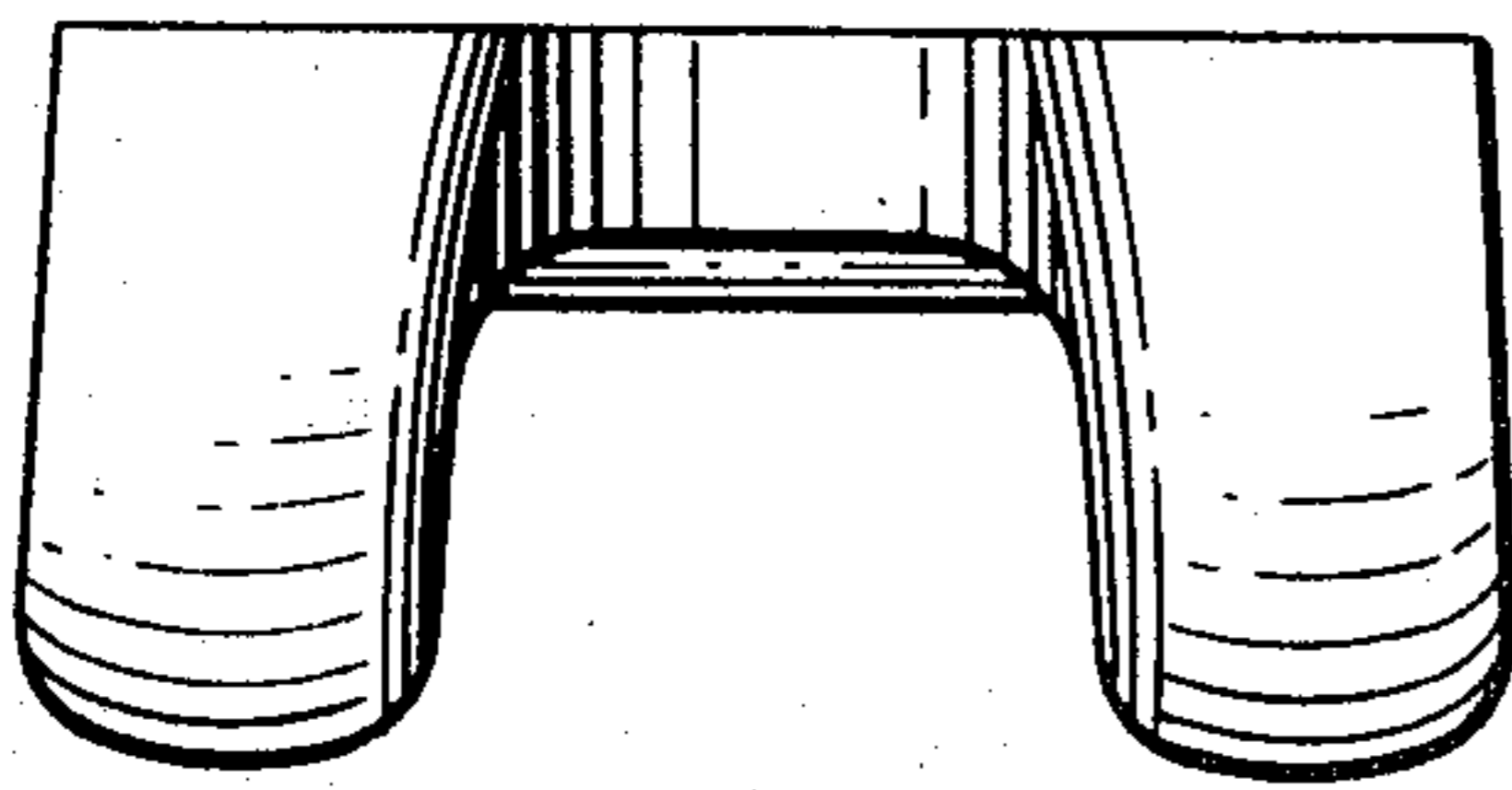


Fig. 3.

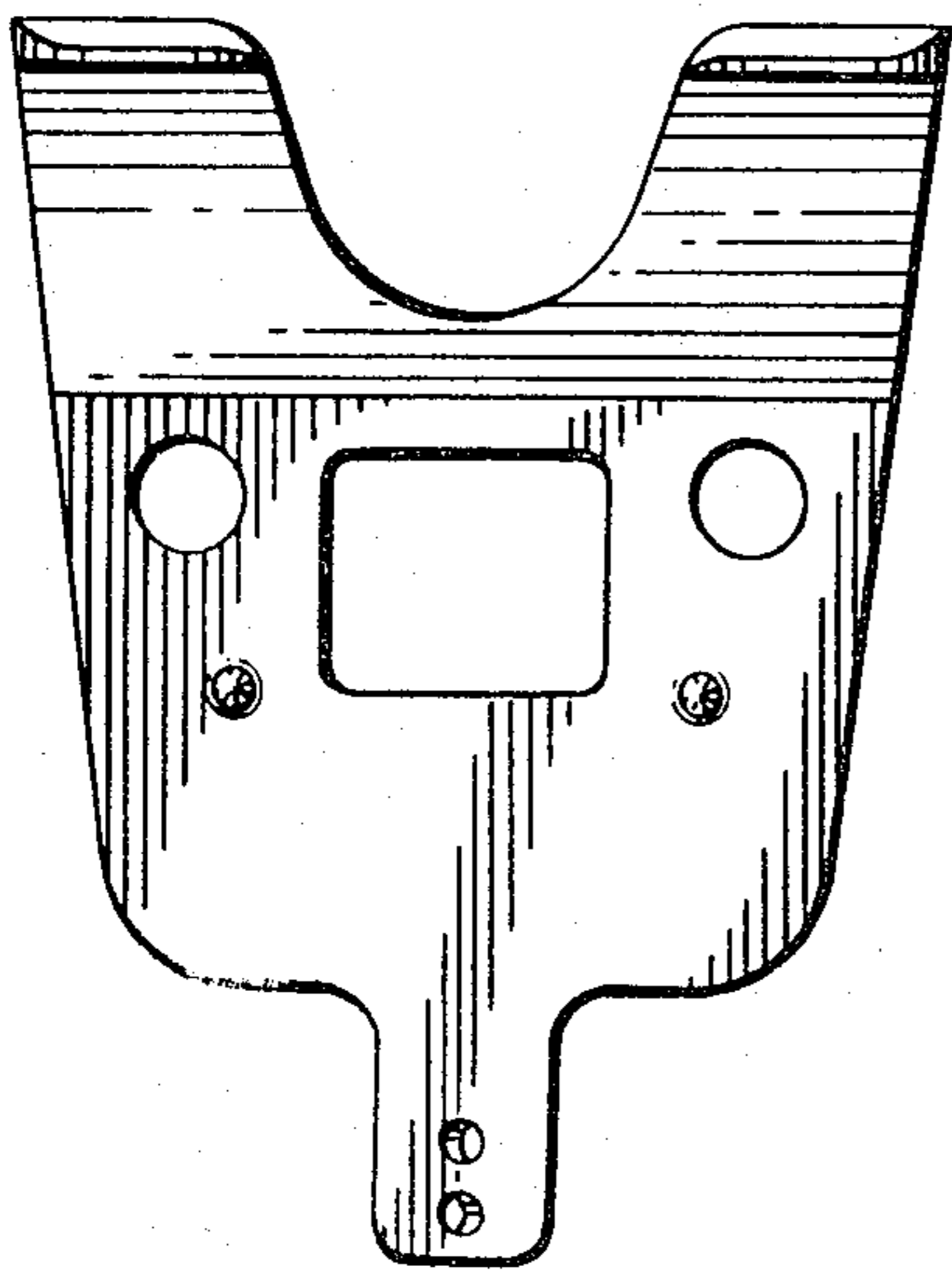


Fig. 4.

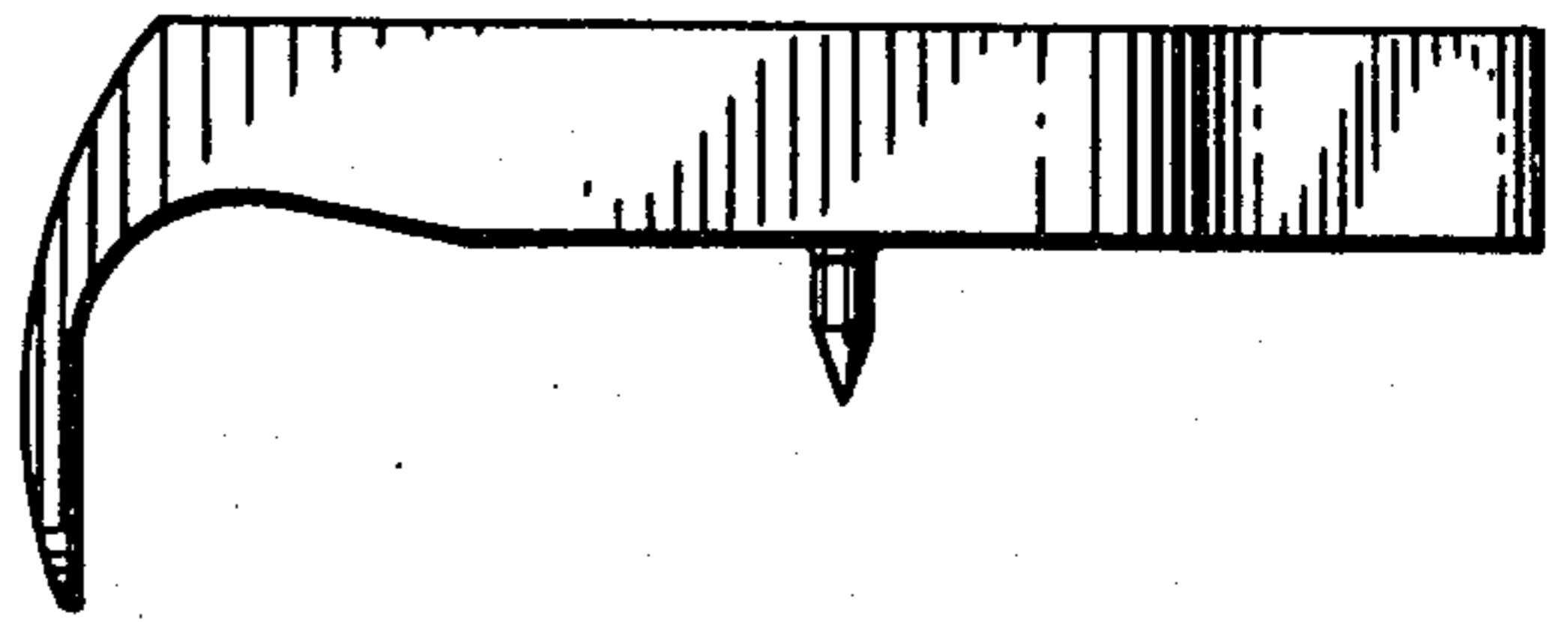


Fig. 5.

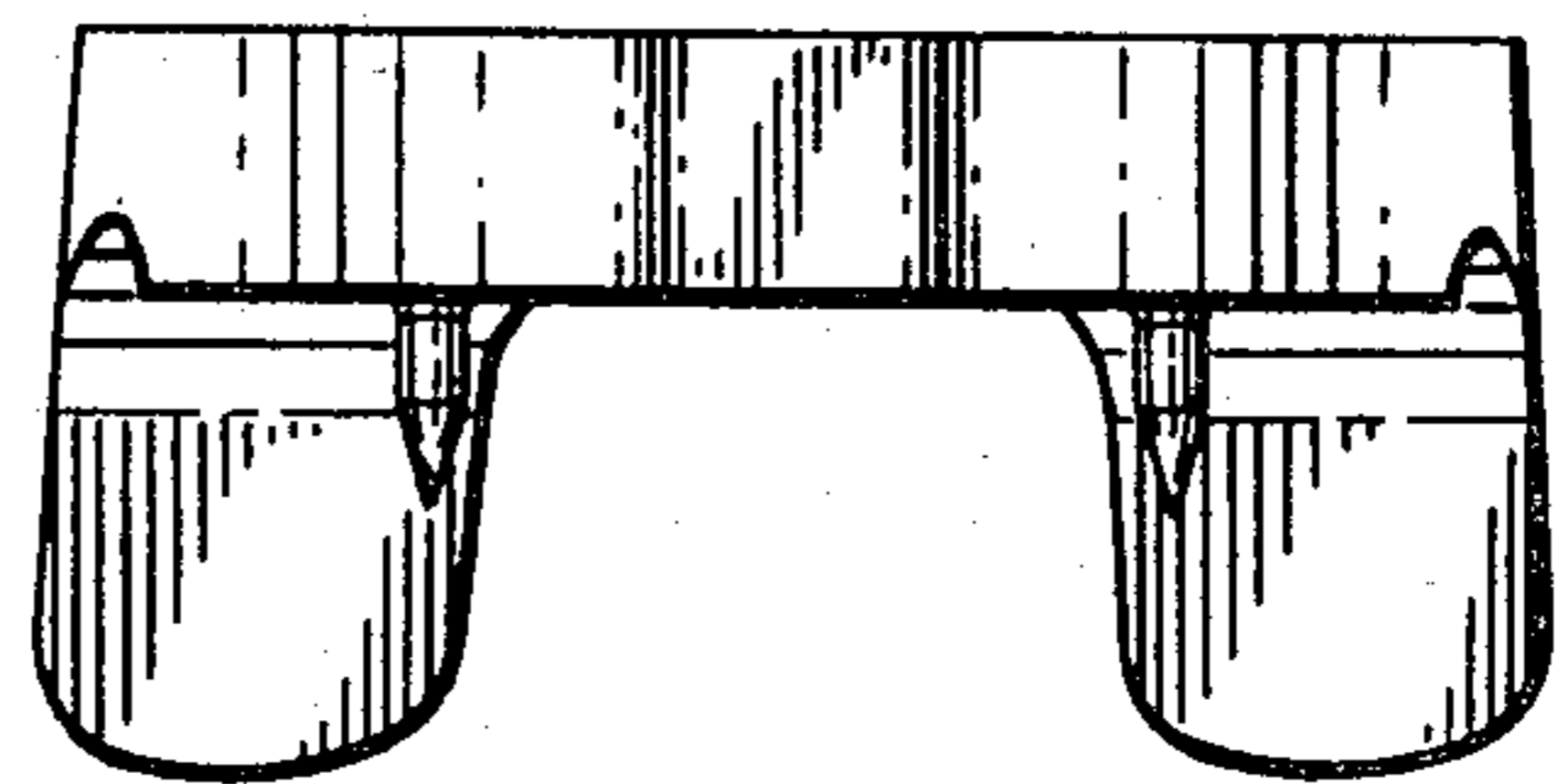


Fig. 6.

