

[54] TIBIAL POSITIONING/FIXATION JIG FOR THE IMPLANATION OF A PROSTHETIC KNEE

[75] Inventor: Robert V. Kenna, Hackensack, N.J.

[73] Assignee: Howmedica, Inc., New York, N.Y.

[**] Term: 14 Years

[21] Appl. No.: 350,113

[22] Filed: Feb. 18, 1982

[52] U.S. Cl. D24/26

[58] Field of Search 128/304, 305, 303 R, 128/92 R, 92 EB, 92 EC, 92 ED, 92 C, 92 E; 3/1.911, 1.9, 1.91, 1.92; D24/26, 33

[56] References Cited

U.S. PATENT DOCUMENTS

D. 230,096	1/1974	Rylee	D24/26
D. 230,097	1/1974	Rylee	D24/26
D. 230,098	1/1974	Rylee	D24/26
D. 245,918	9/1977	Shen	D24/26
4,211,228	7/1980	Cloutier	128/92 E X
4,267,841	5/1981	Fraser	128/92 EB X
4,364,389	12/1982	Keller	3/1.911

Primary Examiner—Bernard Ansher
Attorney, Agent, or Firm—Connolly and Hutz

[57] CLAIM

The ornamental design for a tibial positioning fixation jig for the implanation of a prosthetic knee, substantially as shown and described.

DESCRIPTION

FIG. 1 is a side elevation view of a tibial positioning/fixation jig for the implantation of a prosthetic knee of my new design;

FIG. 2 is a top plan view of the tibial positioning/fixation jig shown in FIG. 1;

FIG. 3 is a bottom plan view of the tibial positioning/fixation jig shown in FIGS. 1-2;

FIG. 4 is a front elevation view of the tibial positioning/fixation jig shown in FIGS. 1-3;

FIG. 5 is a rear plan view of the tibial positioning/fixation jig shown in FIGS. 1-4;

FIG. 6 is a cross-sectional view taken through FIG. 2 along the line 6-6; and

FIG. 7 is a cross-sectional view taken through FIG. 1 along the line 7-7.

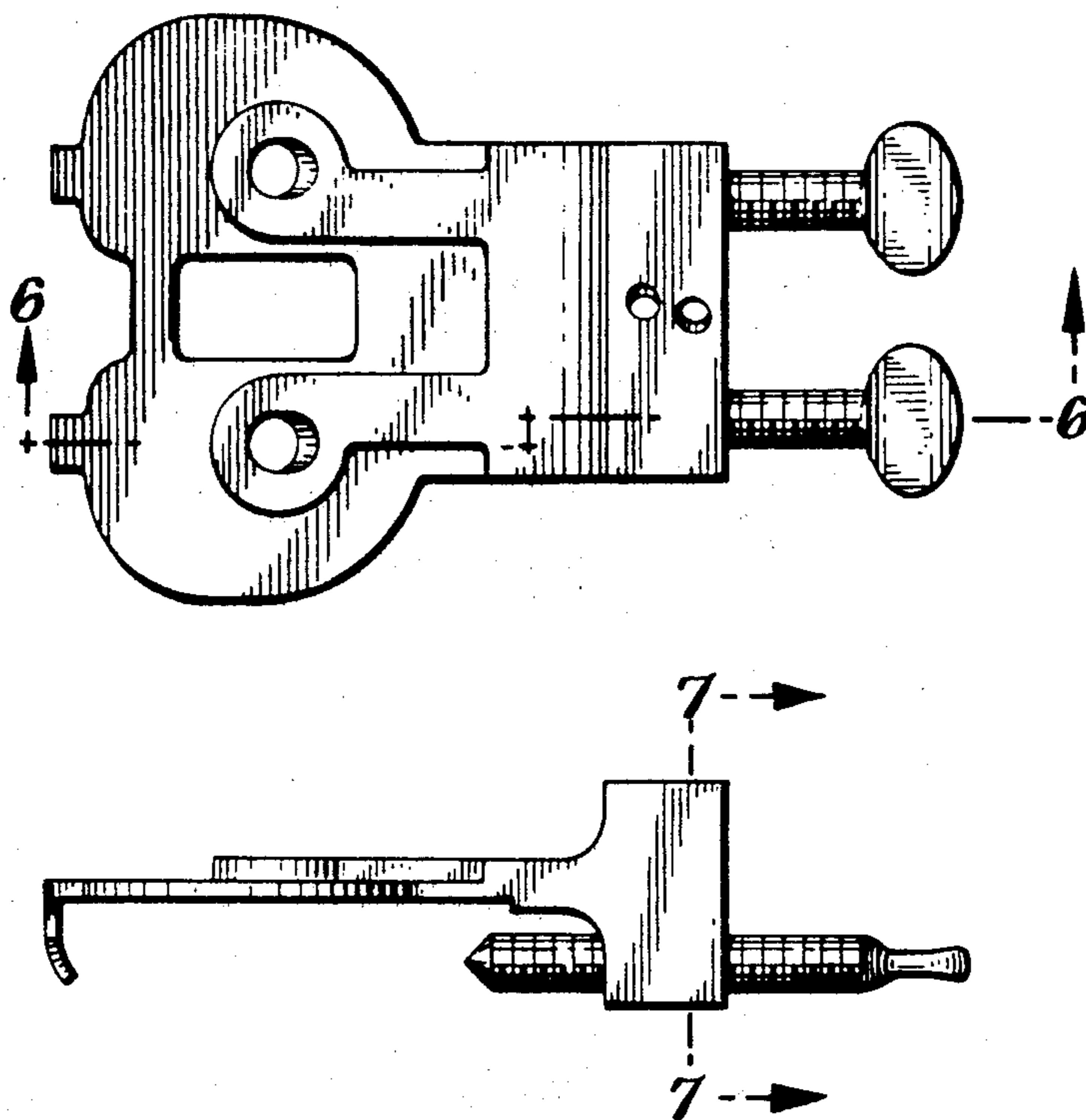


Fig. 2.

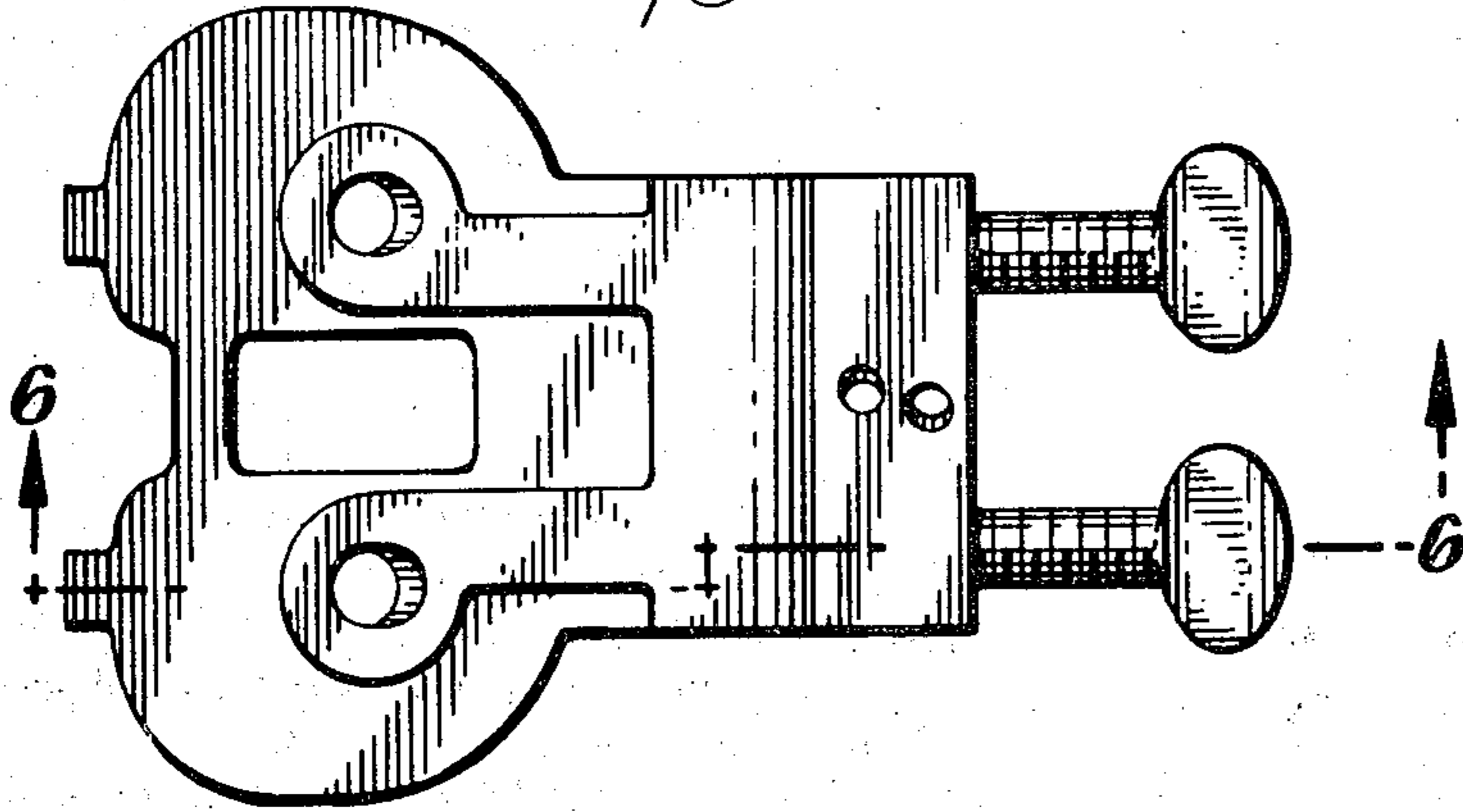


Fig. 1.

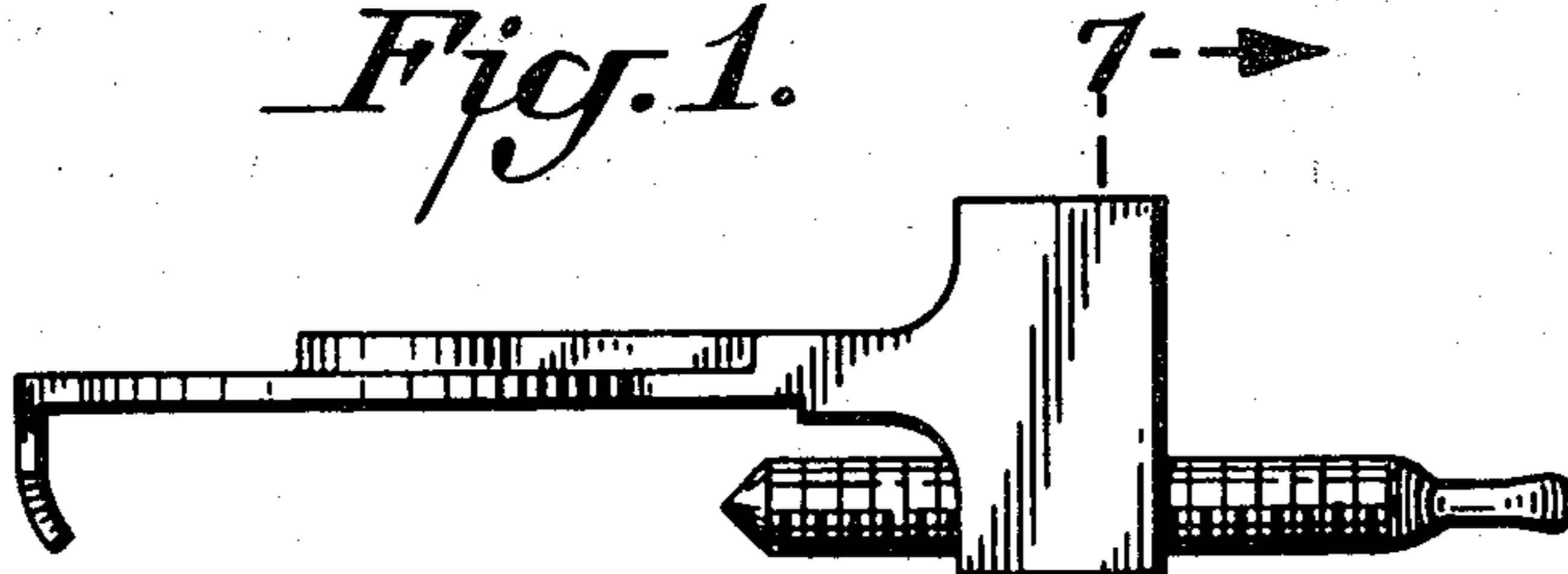


Fig. 4.

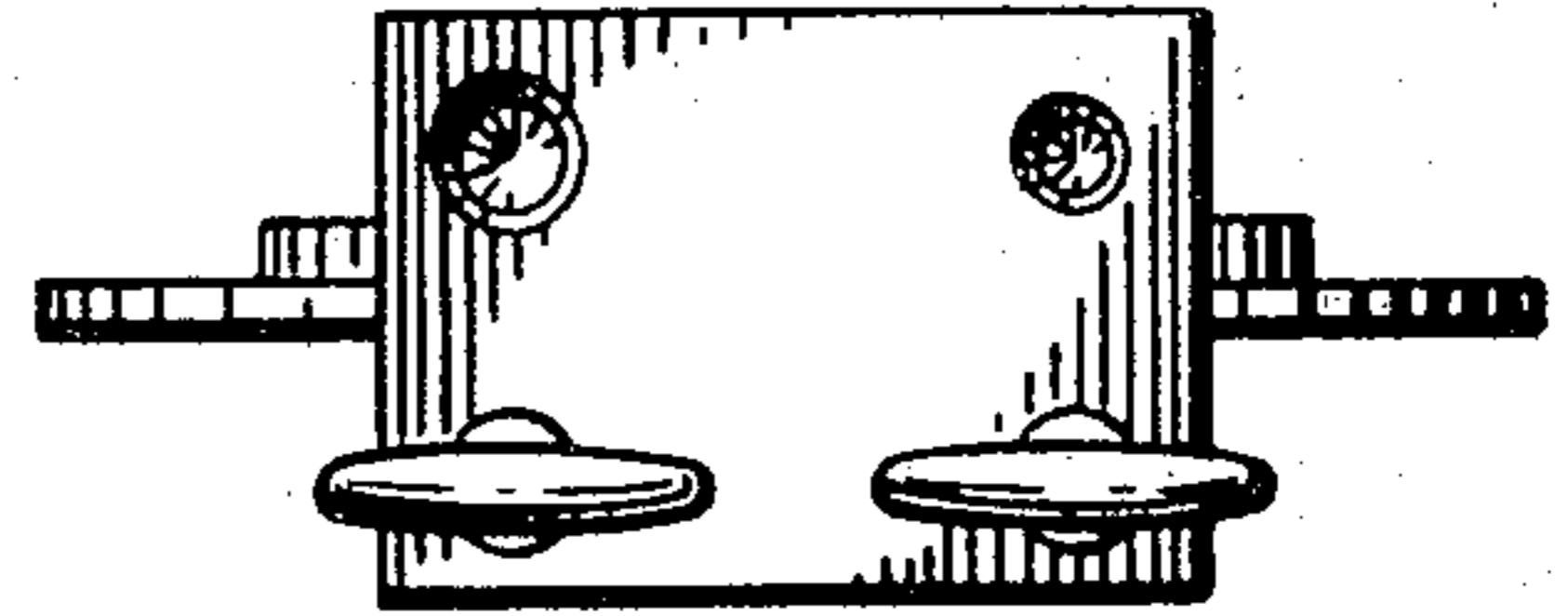


Fig. 3.

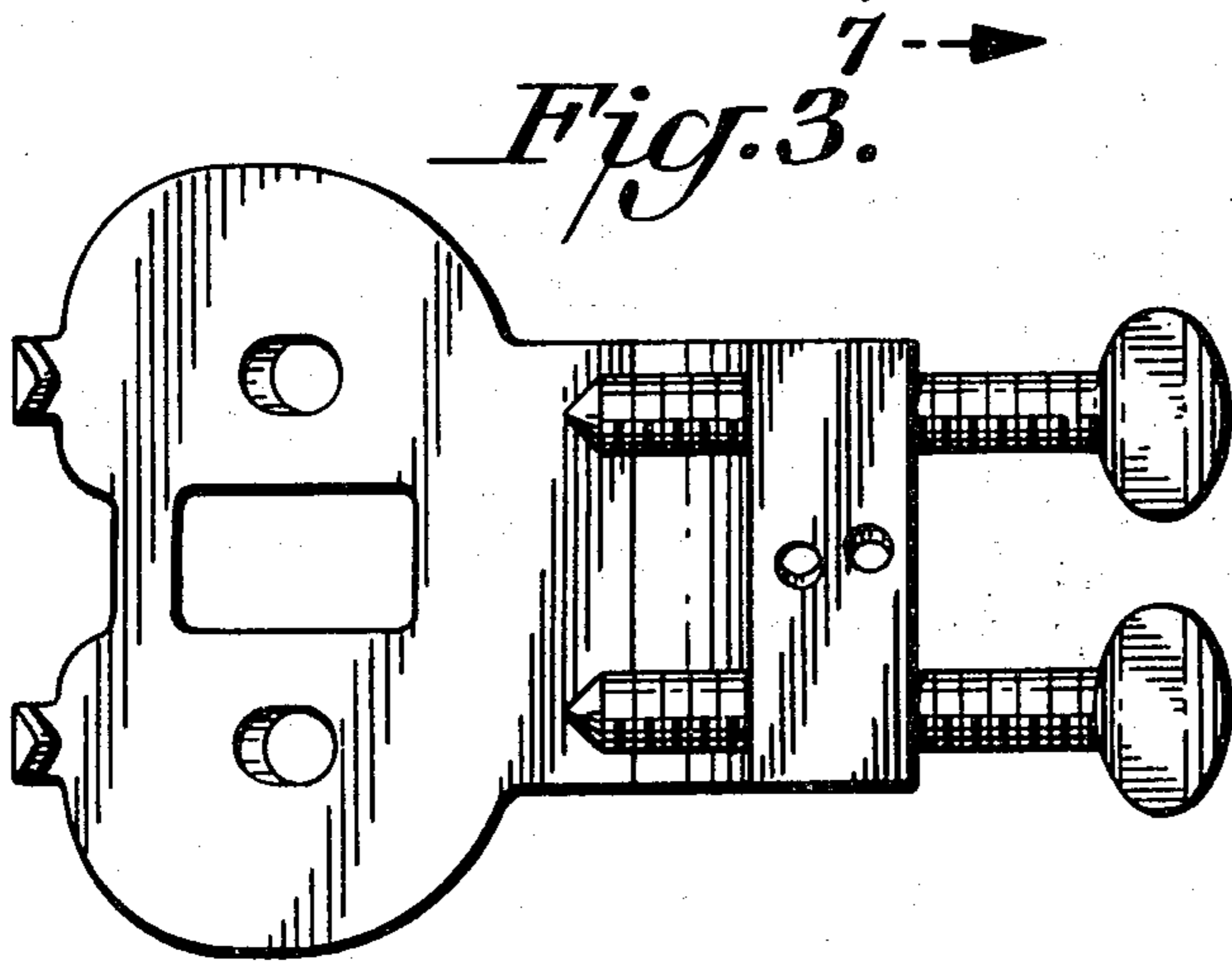


Fig. 7.

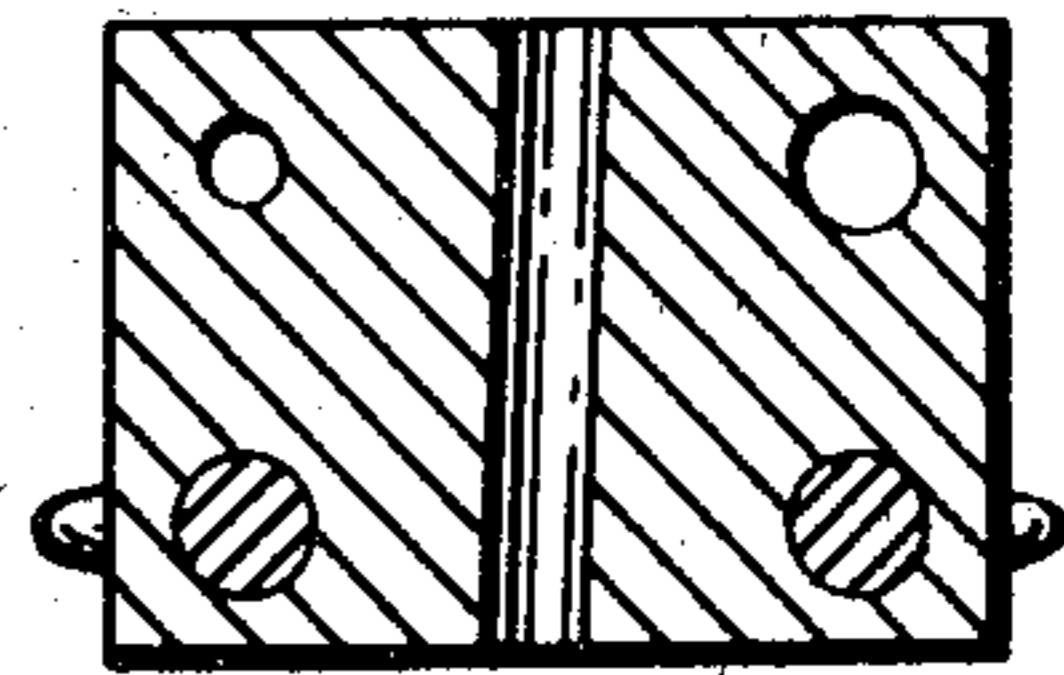


Fig. 6.

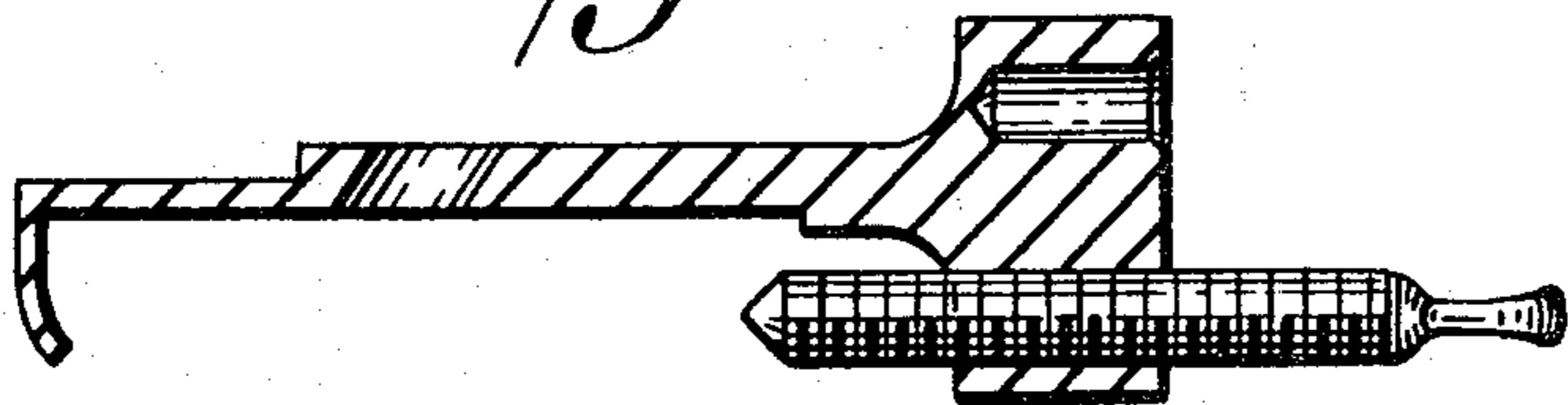


Fig. 5.

