

[54] FEMORAL CHAMFER CUTTING JIG FOR THE IMPLANTATION OF A PROSTHETIC KNEE

[75] Inventor: Robert V. Kenna, Hackensack, N.J.

[73] Assignee: Howmedica, Inc., New York, N.Y.

[**] Term: 14 Years

[21] Appl. No.: 350,009

[22] Filed: Feb. 18, 1982

[52] U.S. Cl. D24/26

[58] Field of Search 128/304, 305, 303 R, 128/92 R, 92 EB, 92 EC, 92 ED, 92 C, 92 E; 3/1.911, 1.9, 1.91, 1.92; D24/26, 33

[56] References Cited

U.S. PATENT DOCUMENTS

D. 230,096	1/1974	Rylee	D24/26
4,135,517	1/1979	Reale	128/92 E
4,211,228	7/1980	Cloutier	3/1.911 X
4,274,414	6/1981	Johnson et al.	128/305
4,349,018	9/1982	Chambers	128/303 R X

OTHER PUBLICATIONS

Zimmer Catalog; Sep. 1974, item #1332-13, Femoral Angle Cutting Template p. A-14/7.

Zimmer Catalog, Sep. 1974, p. A-14/7, item #1332-10, Femoral Jig.

Primary Examiner—Bernard Ansher
Attorney, Agent, or Firm—Connolly and Hutz

[57] CLAIM

The ornamental design for a femoral chamfer cutting jig for the implantation of a prosthetic knee, substantially as shown and described.

DESCRIPTION

FIG. 1 is a bottom plan view of a femoral chamfer cutting jig for the implantation of a prosthetic knee of my new design;

FIG. 2 is a front elevation view of the femoral chamfer cutting jig shown in FIG. 1;

FIG. 3 is a rear elevation view of the femoral chamfer cutting jig shown in FIGS. 1-2;

FIG. 4 is a top plan view of the femoral chamfer cutting jig shown in FIGS. 1-3;

FIG. 5 is an end elevation view of the femoral chamfer cutting jig shown in FIGS. 1-4; and

FIG. 6 is a cross-sectional view taken through FIG. 1 along the line 6-6.

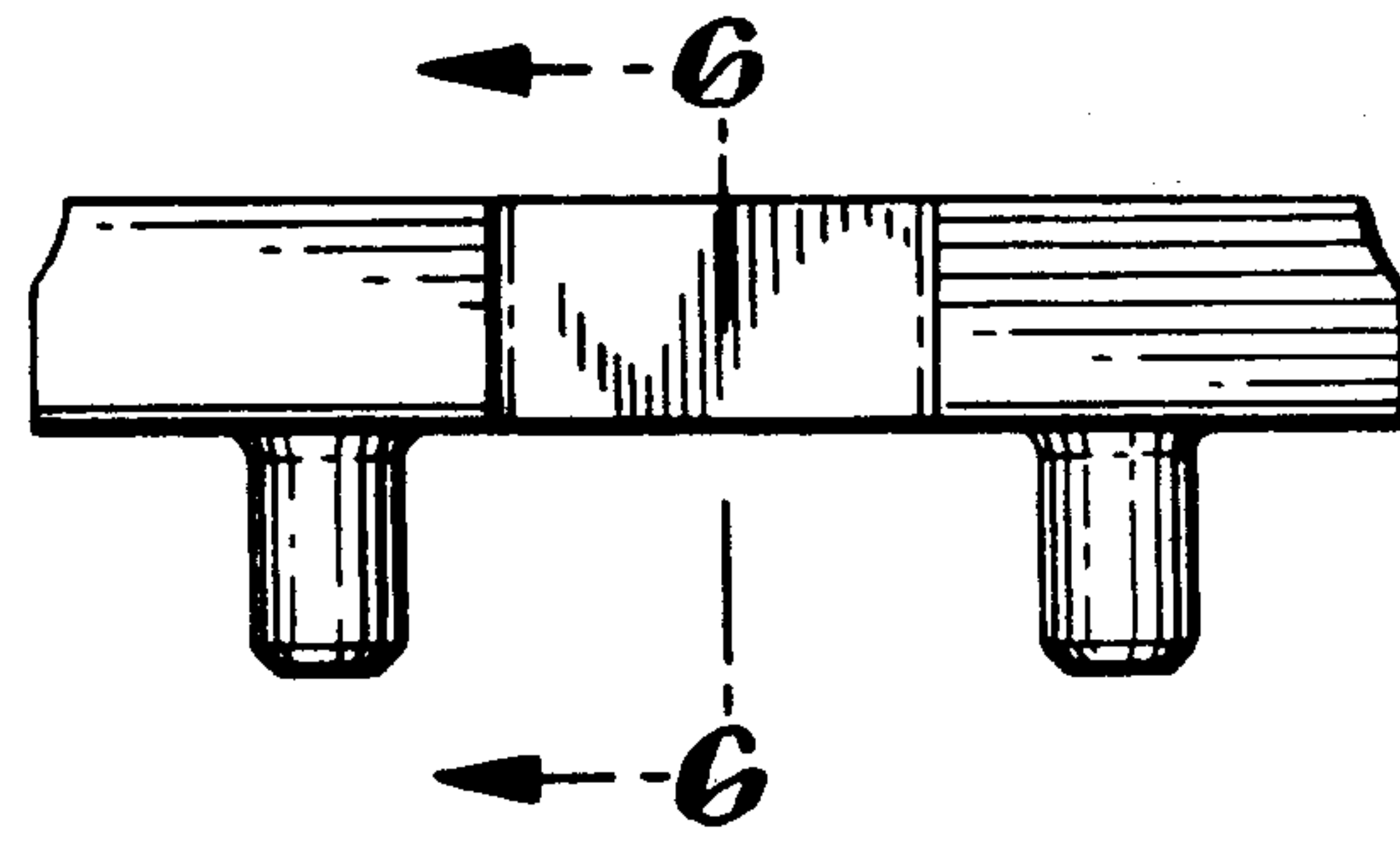
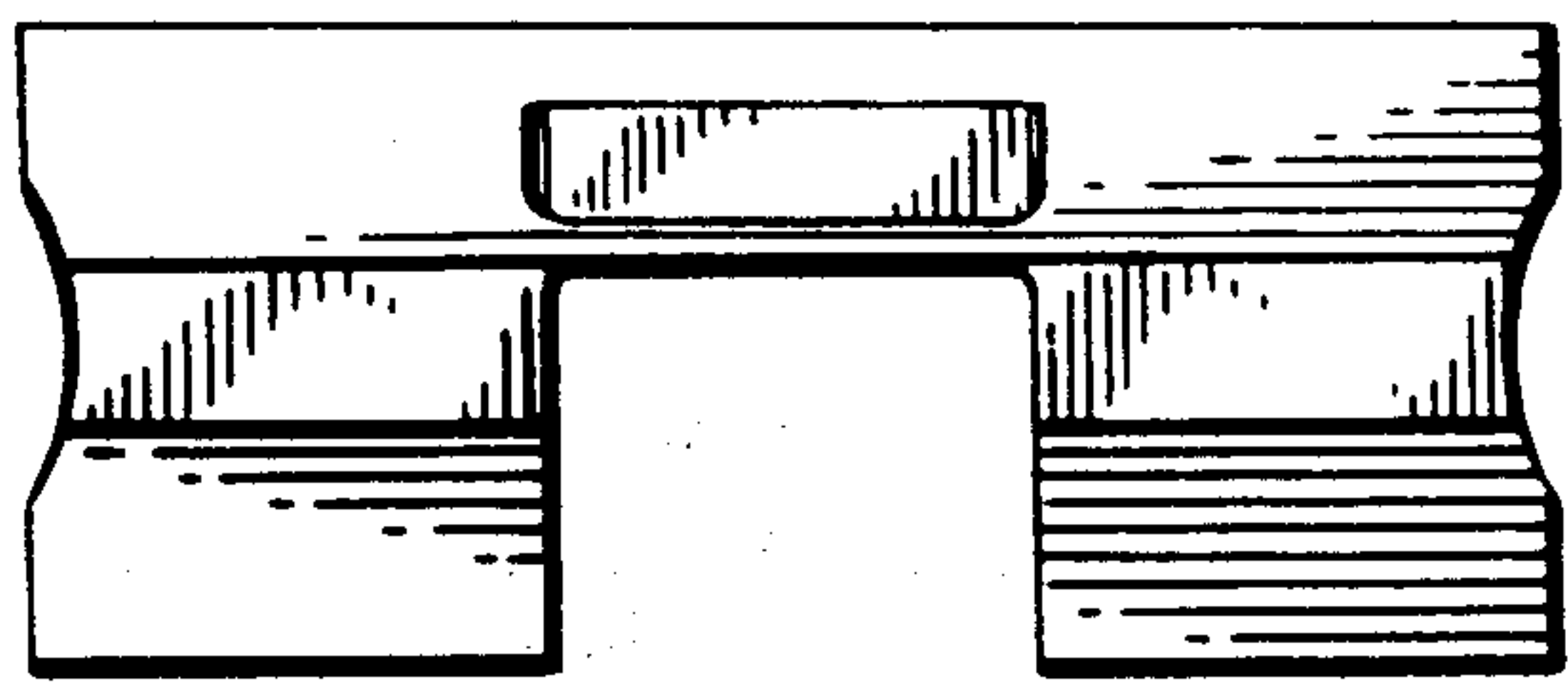


Fig. 2.

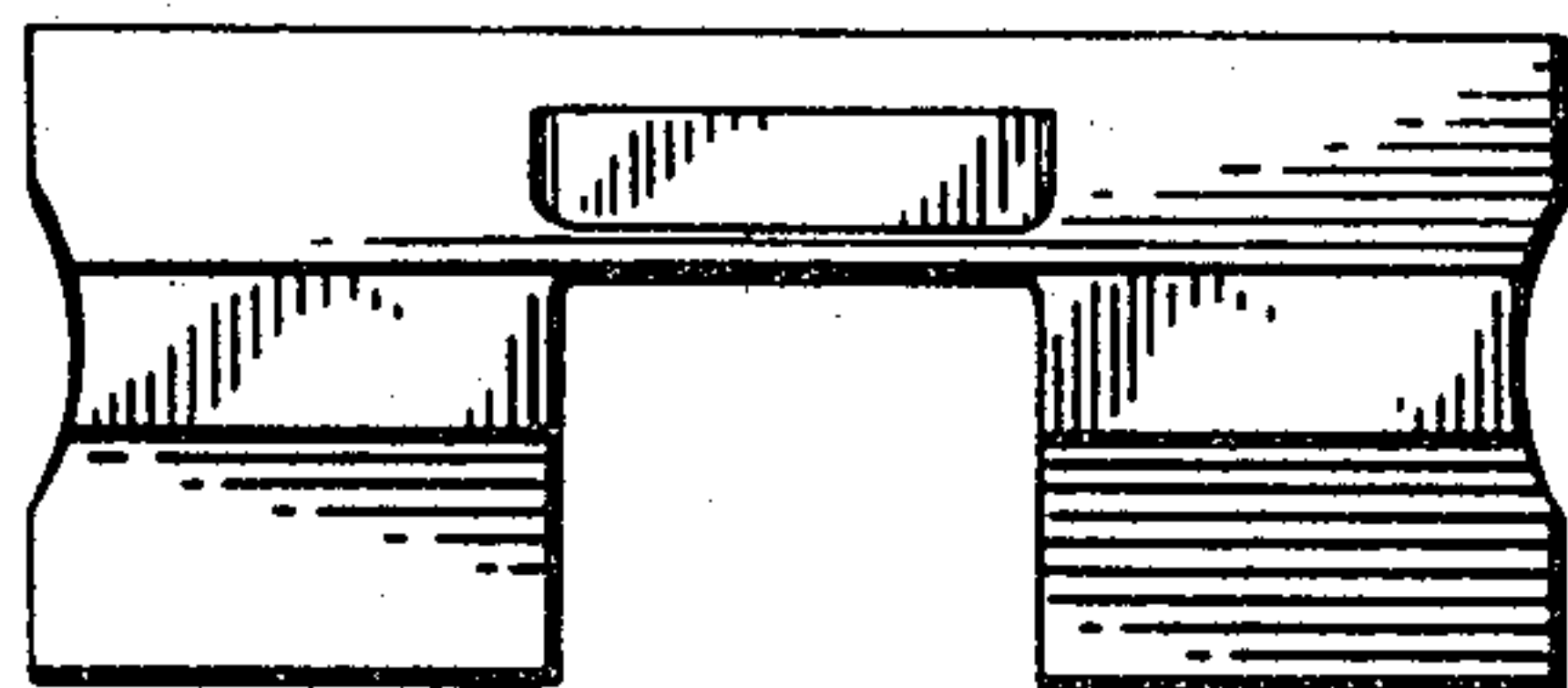


Fig. 1.

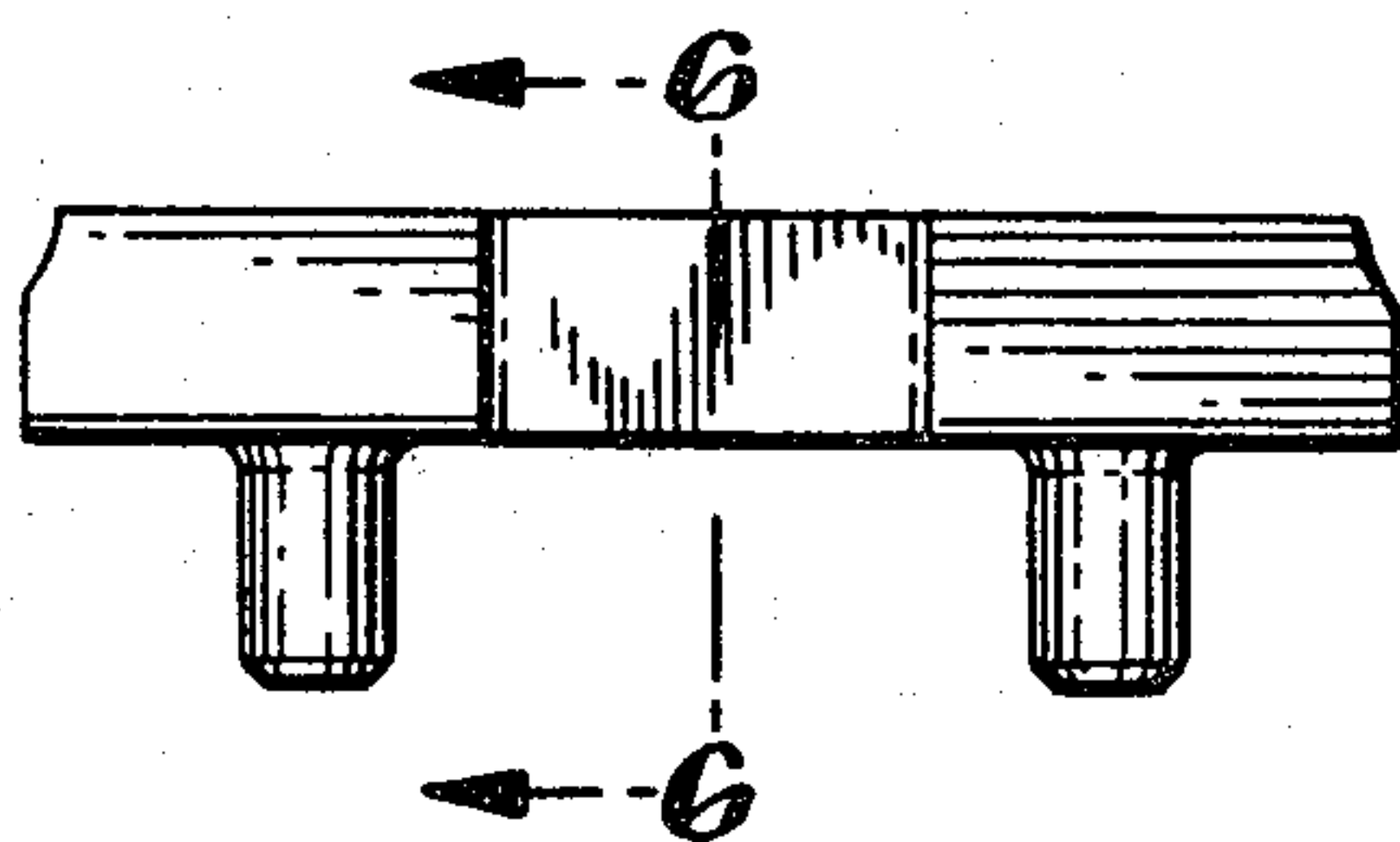


Fig. 5.

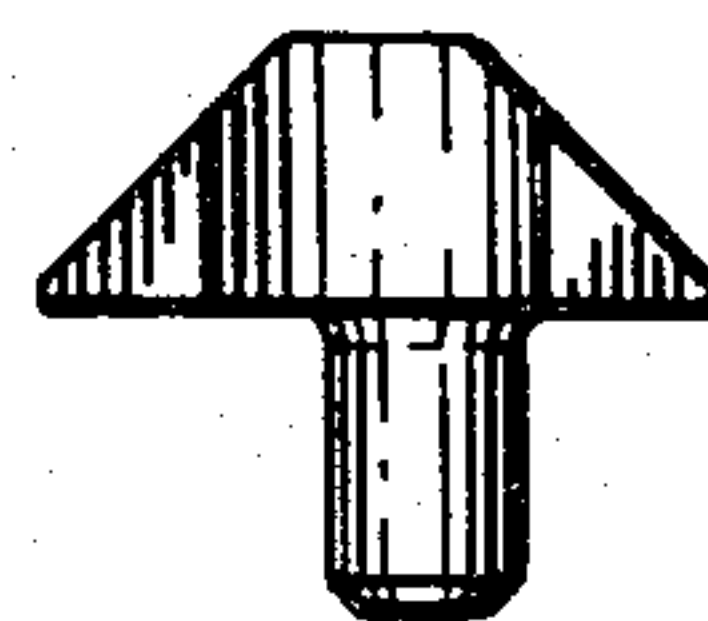


Fig. 3.

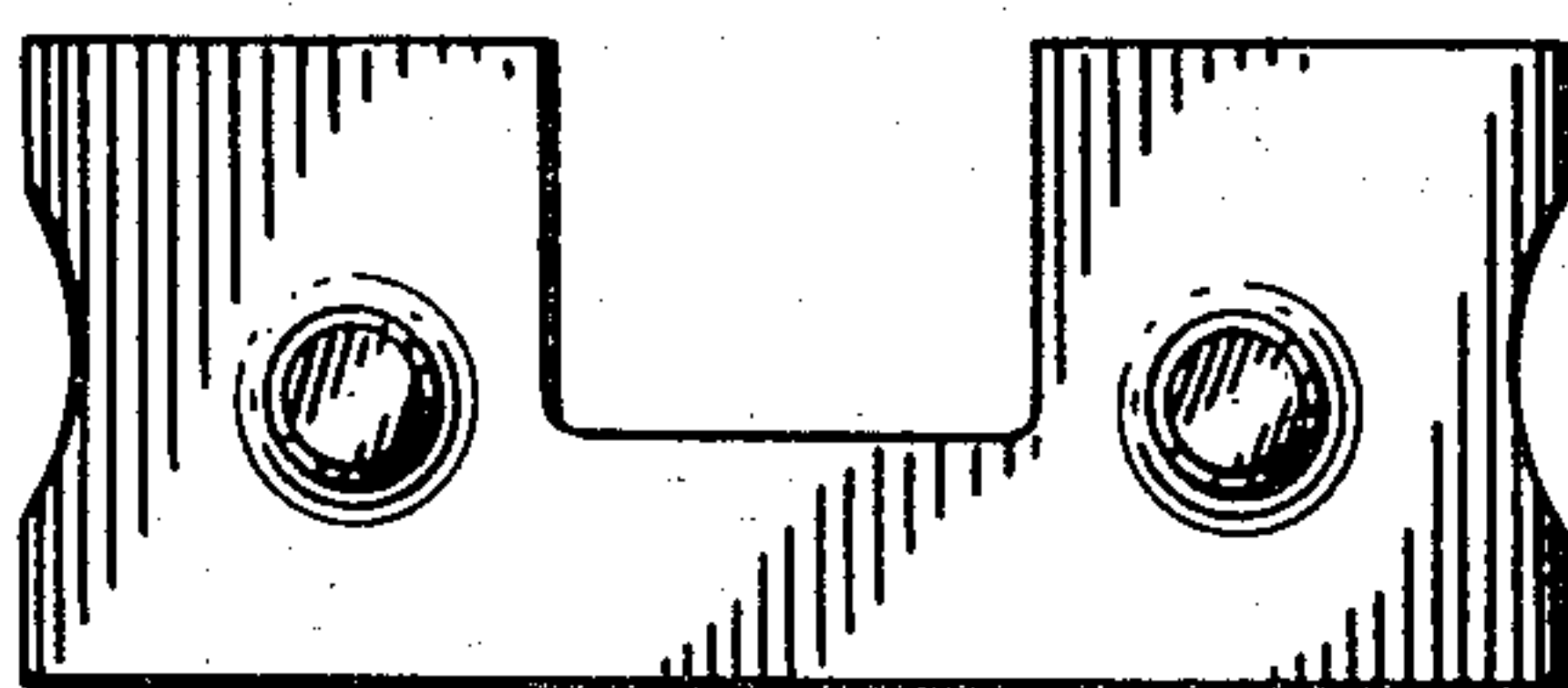


Fig. 4.

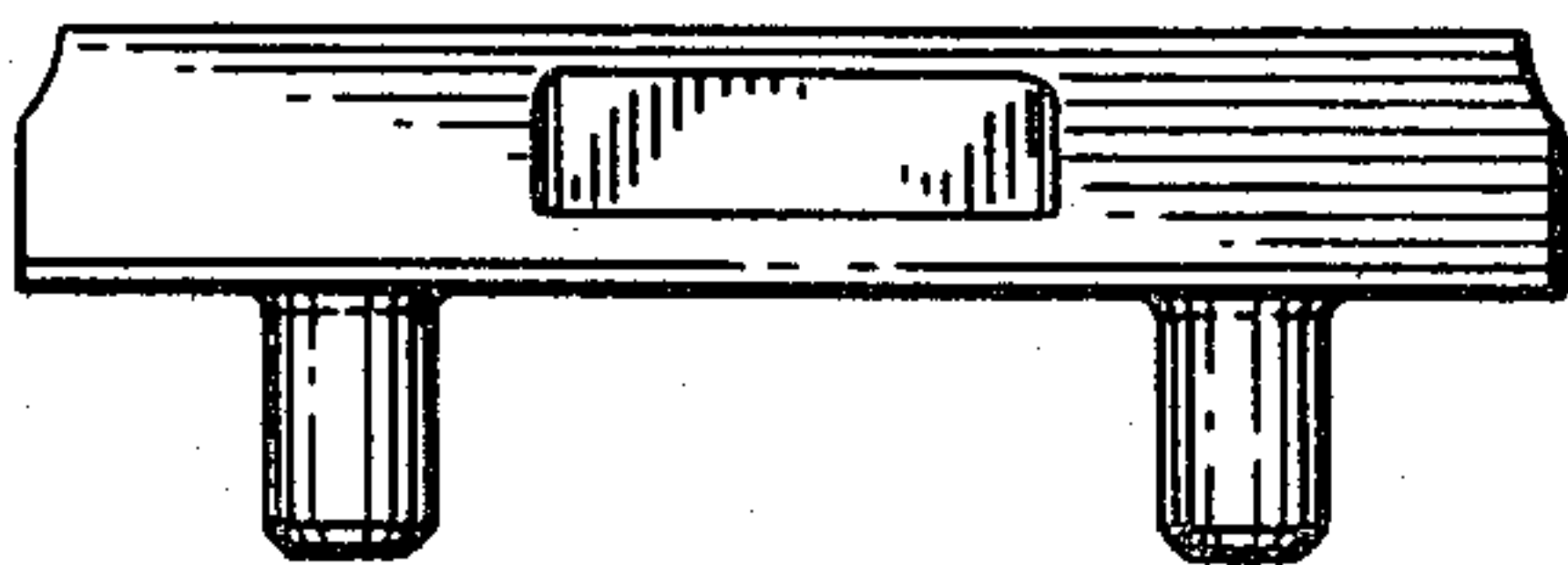


Fig. 6.

