

[54] FEMORAL CHAMFER CUTTING JIG FOR THE IMPLANTATION OF A PROSTHETIC KNEE

[75] Inventor: Robert V. Kenna, Hackensack, N.J.

[73] Assignee: Howmedica, Inc., New York, N.Y.

[\*\*] Term: 14 Years

[21] Appl. No.: 350,008

[22] Filed: Feb. 18, 1982

[52] U.S. Cl. .... D24/26

[58] Field of Search ..... 128/304, 305, 303 R, 128/92 E, 92 EB, 92 EC, 92 ED, 92 C; 3/1.911, 1.9, 1.91, 1.92; D24/33, 26

[56] References Cited

U.S. PATENT DOCUMENTS

D. 230,098	1/1974	Rylee	.....	D24/26
D. 245,918	9/1977	Shen	.....	D24/26
4,211,228	7/1980	Cloutier	.....	3/1.911
4,267,841	5/1981	Fraser	.....	128/92 EB
4,349,018	9/1982	Chambers	.....	128/92 E

OTHER PUBLICATIONS

Zimmer Catalog, p. A 14-7, item #1332-11, Tibial Template.

Zimmer Catalog, © 1977, p. A-100, item #1332-13, Femoral Angle Cutting Guide.

Primary Examiner—Bernard Ansher  
Attorney, Agent, or Firm—Connolly and Hutz

[57] CLAIM

The ornamental design for a femoral chamfer cutting jig for the implantation of a prosthetic knee, substantially as shown and described.

DESCRIPTION

FIG. 1 is a bottom plan view of a femoral chamfer cutting jig for the implantation of a prosthetic knee of my new design;

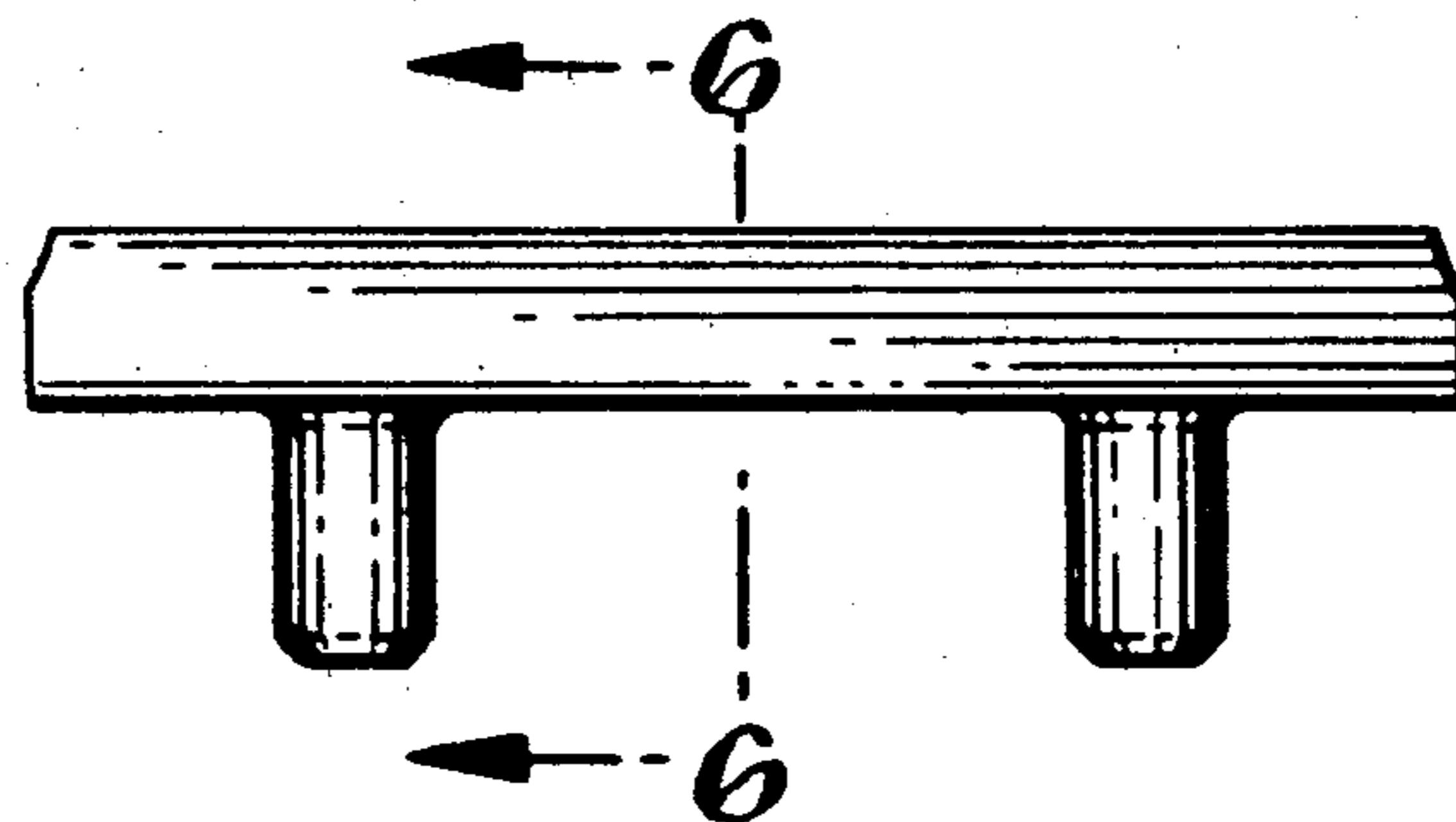
FIG. 2 is a front elevation view of the femoral chamfer cutting jig shown in FIG. 1;

FIG. 3 is a rear elevation view of the femoral chamfer cutting jig shown in FIGS. 1-2;

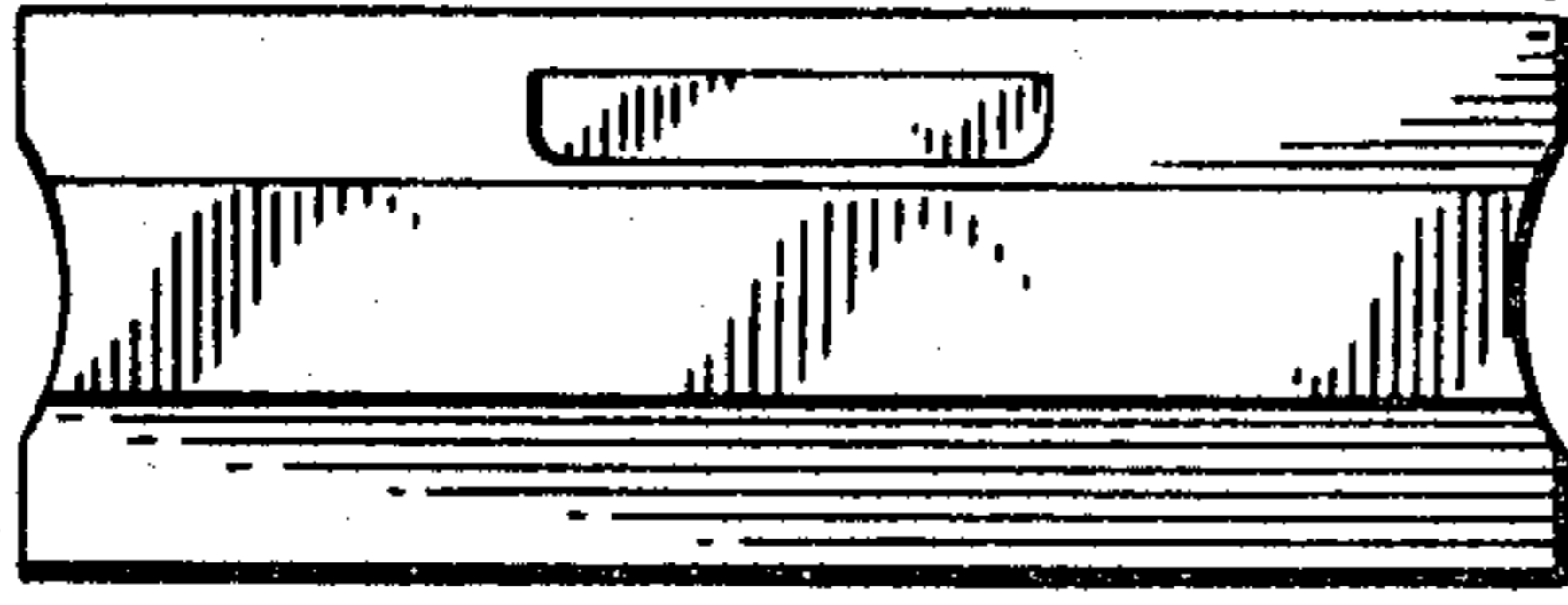
FIG. 4 is a top plan view of the femoral chamfer cutting jig shown in FIGS. 1-3;

FIG. 5 is an end elevation view of the femoral chamfer cutting jig shown in FIGS. 1-4; and

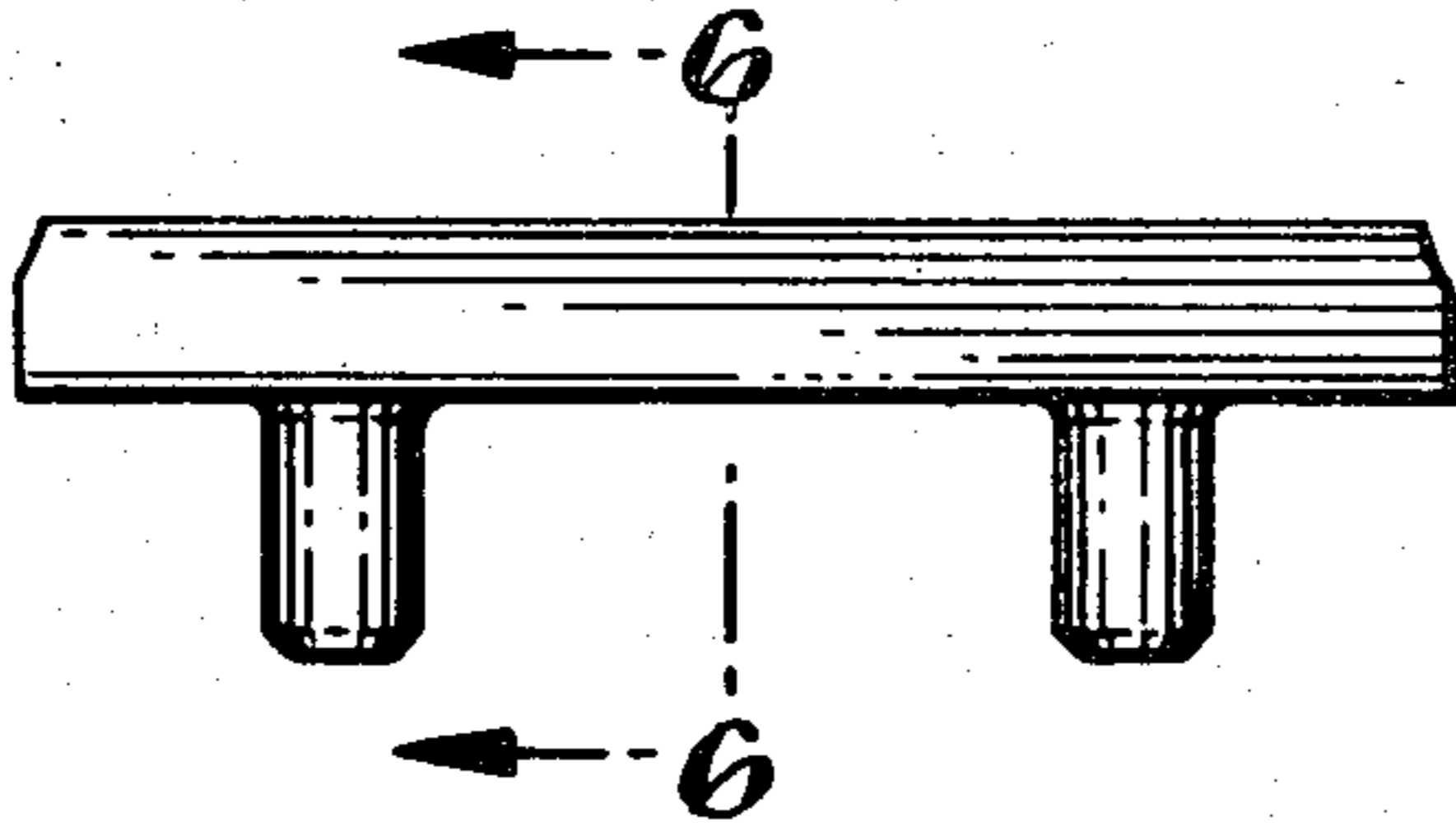
FIG. 6 is a cross-sectional view taken through FIG. 1 along the line 6-6.



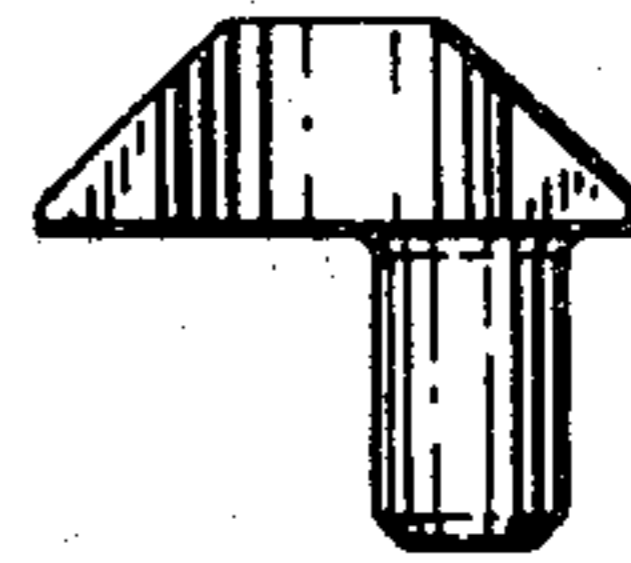
*Fig. 2.*



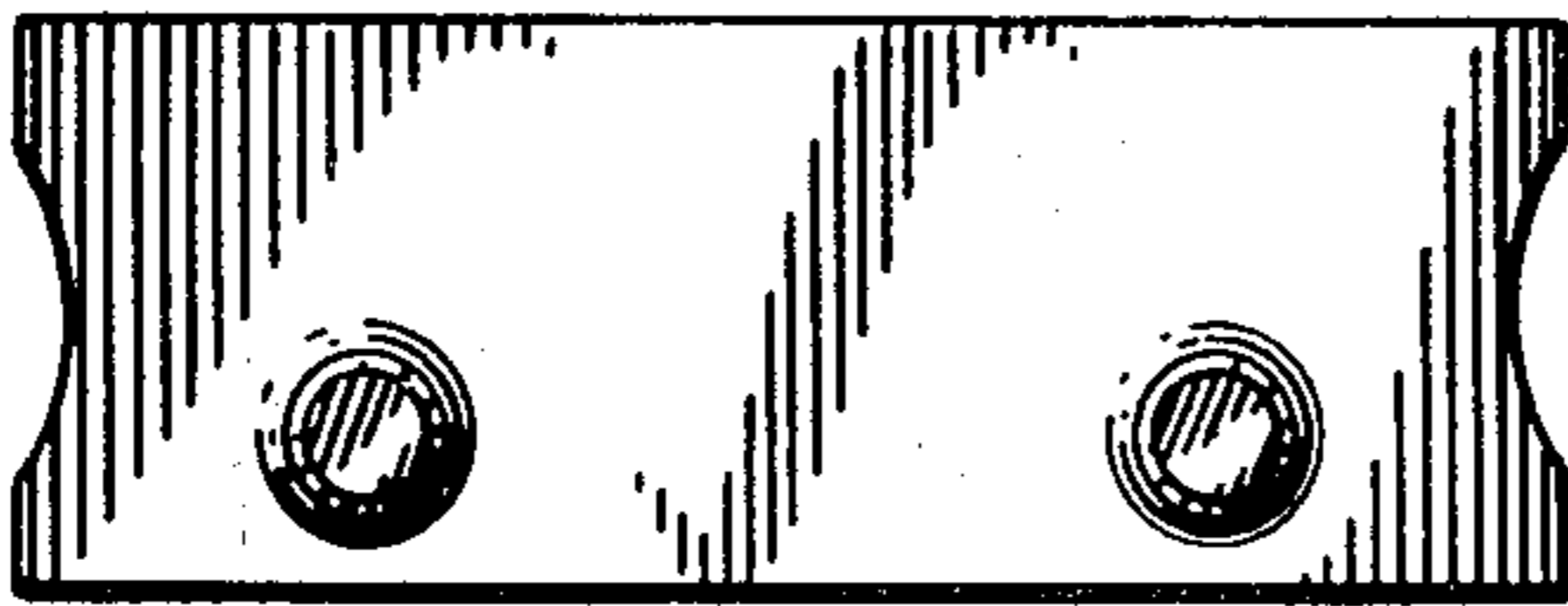
*Fig. 1.*



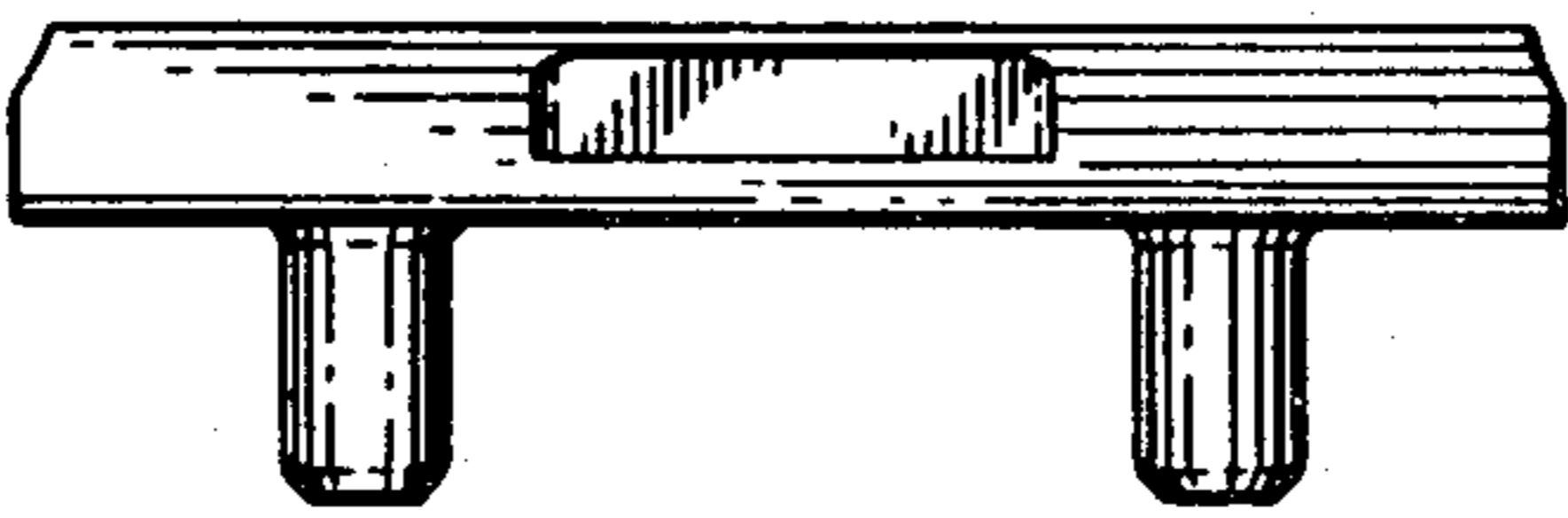
*Fig. 5.*



*Fig. 3.*



*Fig. 4.*



*Fig. 6.*

