

[54] TRANSVERSE TIBIAL CUTTING JIG FOR THE IMPLANTATION OF A PROSTHETIC KNEE

[75] Inventor: Robert V. Kenna, Hackensack, N.J.

[73] Assignee: Howmedica, Inc., New York, N.Y.

[**] Term: 14 Years

[21] Appl. No.: 350,007

[22] Filed: Feb. 18, 1982

[52] U.S. Cl. D24/26

[58] Field of Search 128/304, 305, 303 R, 128/92 R, 92 EB, 92 EC, 92 ED, 92 C; 3/1.911, 1.9, 1.91, 1.92; D24/26, 33

[56] References Cited

U.S. PATENT DOCUMENTS

D. 230,098	1/1974	Rylee	D24/26
4,211,228	7/1980	Cloutier	3/1.911
4,267,841	5/1981	Fraser	128/92 EB
4,349,018	9/1982	Chambers	128/92 E

OTHER PUBLICATIONS

Zimmer Catalog, p. A 14-7, item #1332-11, Tibial Template.

Primary Examiner—Bernard Ansher
Attorney, Agent, or Firm—Connolly and Hutz

[57] CLAIM

The ornamental design for transverse tibial cutting jig for the implantation of a prosthetic knee, substantially as shown and described.

DESCRIPTION

FIG. 1 is a top plan view of a transverse tibial cutting jig for the implantation of a prosthetic knee of my new design;

FIG. 2 is a rear elevation view of the transverse tibial cutting jig shown in FIG. 1;

FIG. 3 is a front elevation view of the transverse tibial cutting jig shown in FIGS. 1-2;

FIG. 4 is a bottom plan view of the transverse tibial cutting jig shown in FIGS. 1-3;

FIGS. 5-6 are end elevation views of the transverse tibial cutting jig shown in FIGS. 1-4; and

FIG. 7 is a cross-sectional view taken through FIG. 1 along the line 7-7.

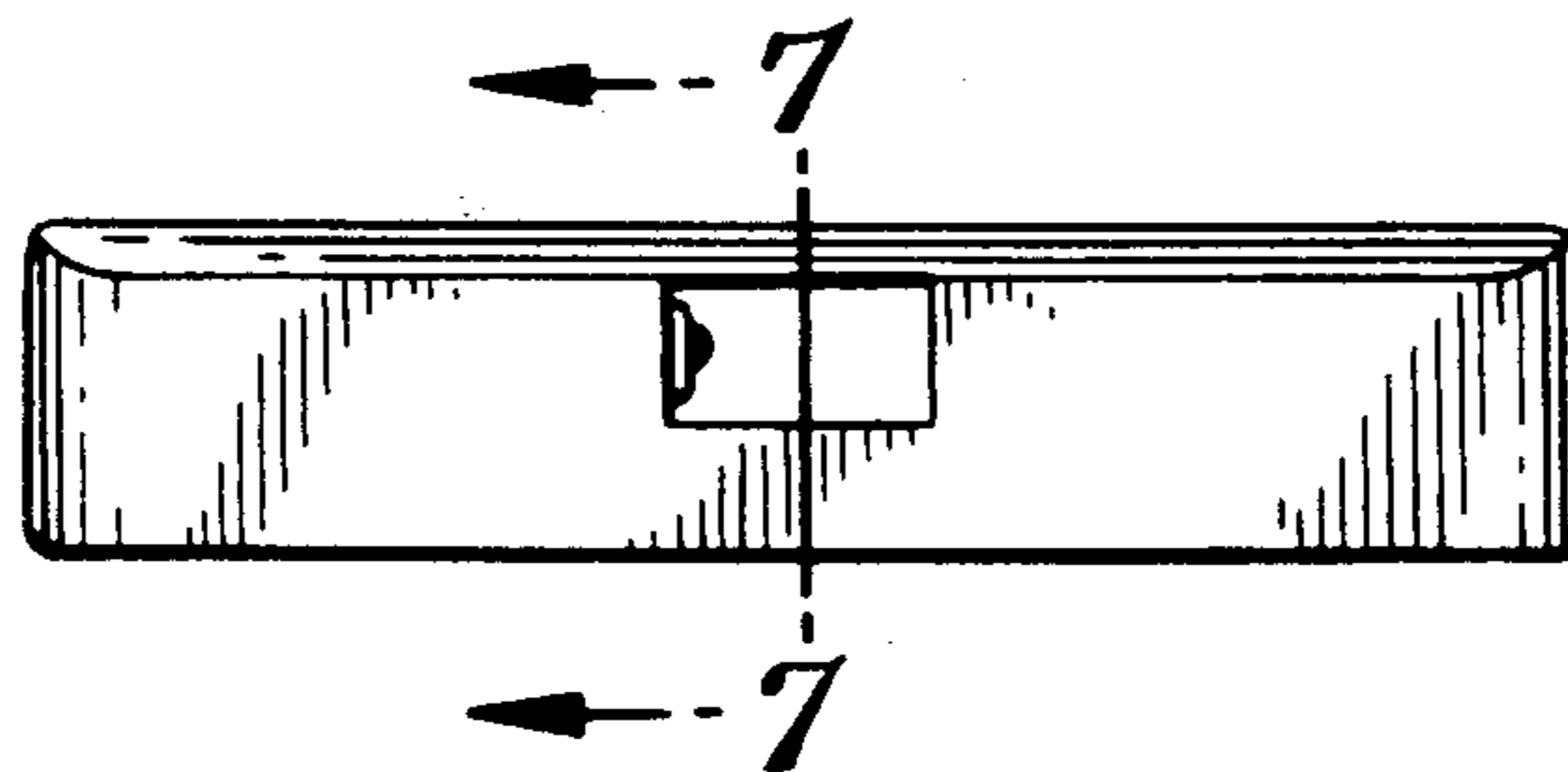


Fig. 2.

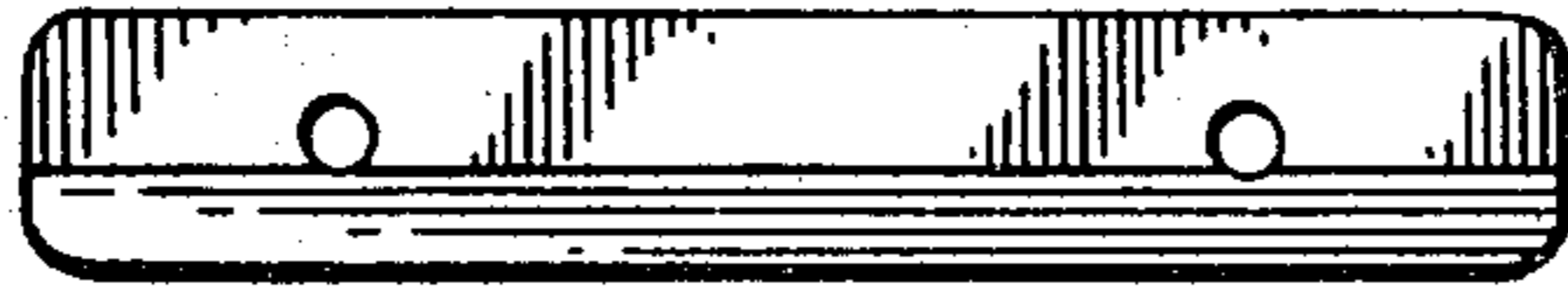
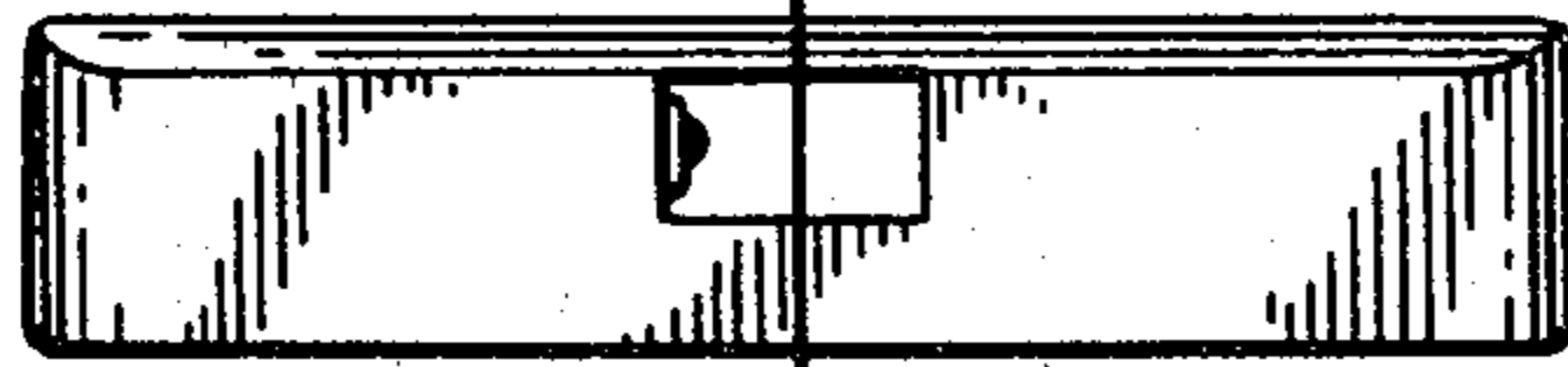


Fig. 1.

← 7



← 7

Fig. 3.

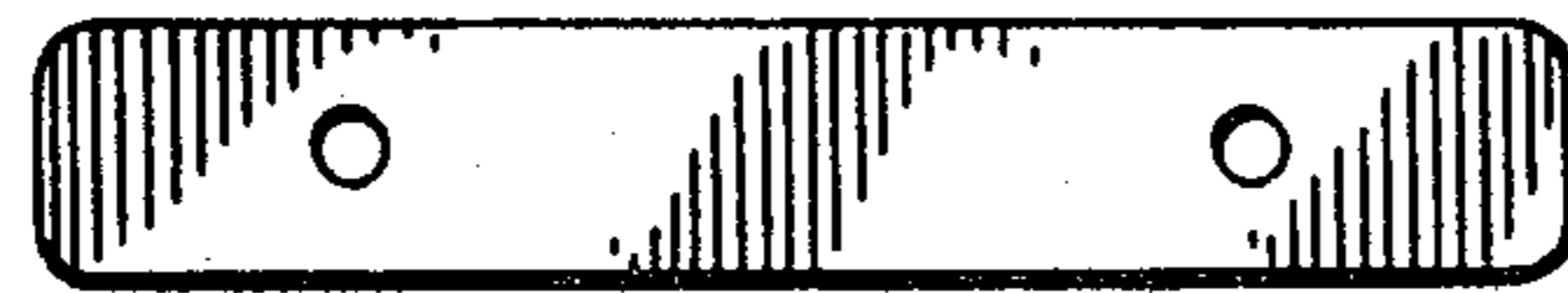


Fig. 4.



Fig. 5.



Fig. 6.



Fig. 7.

