

[54] LASER FOR WEAPON SIMULATOR SYSTEM

4,299,393 11/1981 Benckert et al. 273/310
4,315,689 2/1982 Goda 273/310 X

[75] Inventors: James F. Morris, Jr., Apopka; Ramon Visovatti, Orlando; Richard J. Wangler, Maitland, all of Fla.

[73] Assignee: International Laser Systems, Inc., Orlando, Fla.

[**] Term: 14 Years

[21] Appl. No.: 337,030

[22] Filed: Jan. 4, 1982

[52] U.S. Cl. D24/8; D22/15; D24/99

[58] Field of Search 273/310; 350/96.15, 350/96.24; D22/15, 17; D21/5, 15; D24/8, 99

[56] References Cited

U.S. PATENT DOCUMENTS

D. 194,504 2/1963 Landell et al. D24/99
4,281,993 8/1981 Shaw 273/310 X

OTHER PUBLICATIONS

The Optical Industry & Systems Directory, 1978, p. 154, High Power Laser System, Model 312A Spatial Filter.

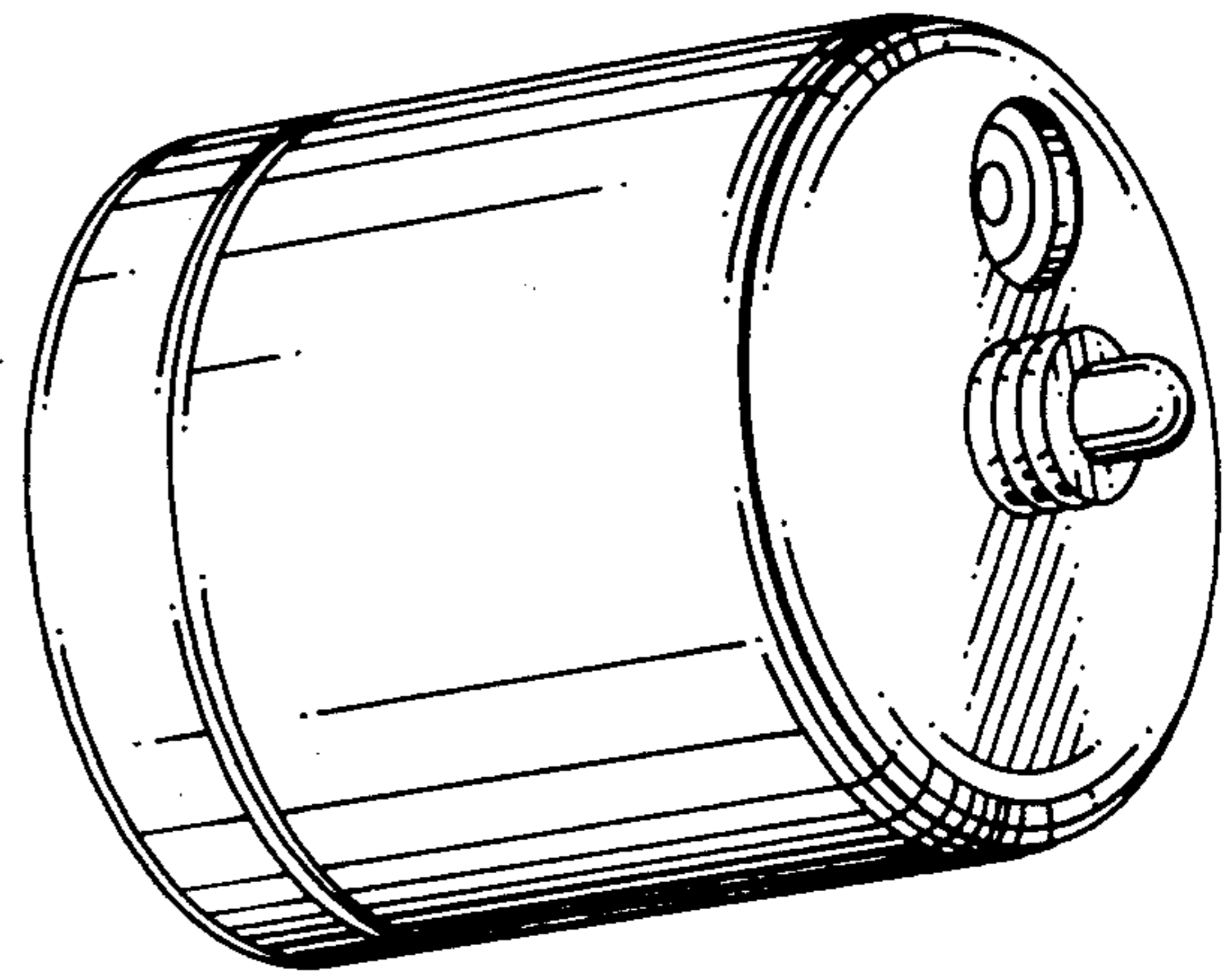
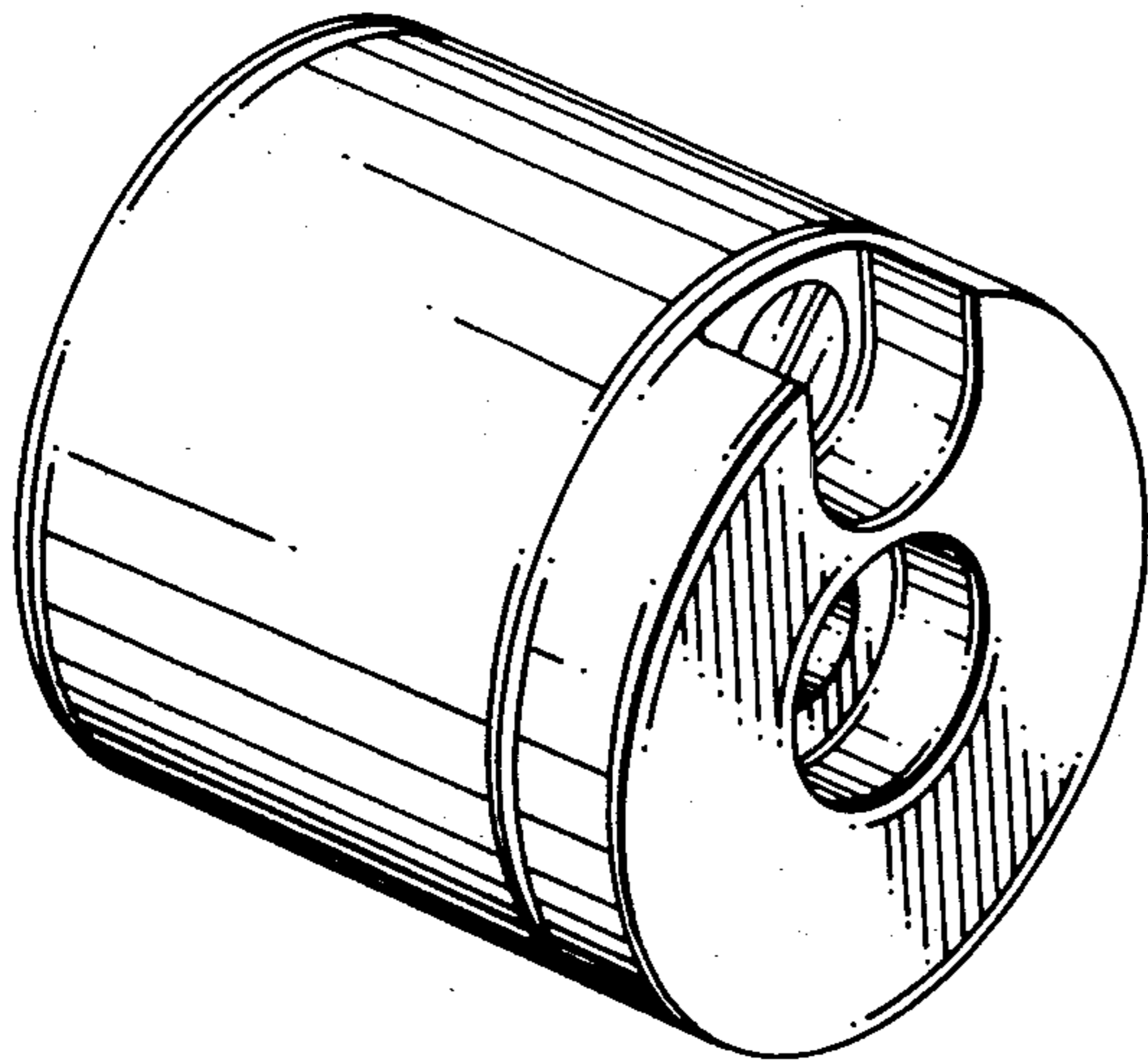
Primary Examiner—Bernard Ansher
Attorney, Agent, or Firm—William M. Hobby, III

[57] CLAIM

The ornamental design for a laser for a weapon simulator system, as shown.

DESCRIPTION

FIG. 1 is a front perspective view of a laser for a weapon simulator system in accordance with our new design;
FIG. 2 is a rear perspective view;
FIG. 3 is a front end elevation;
FIG. 4 is a rear end elevation;
FIG. 5 is a side elevation; and
FIG. 6 is a second side elevation.



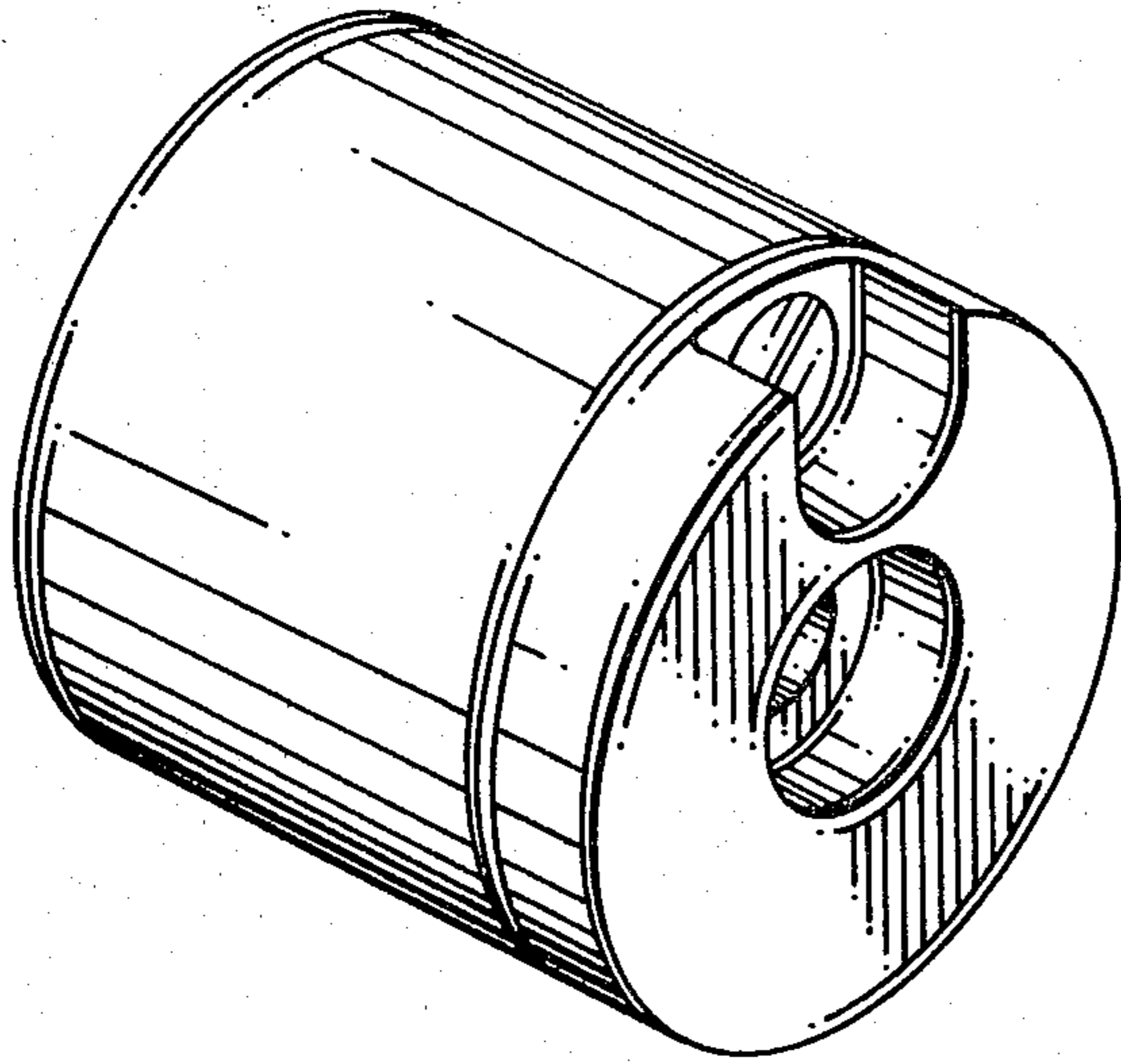


FIG. 1

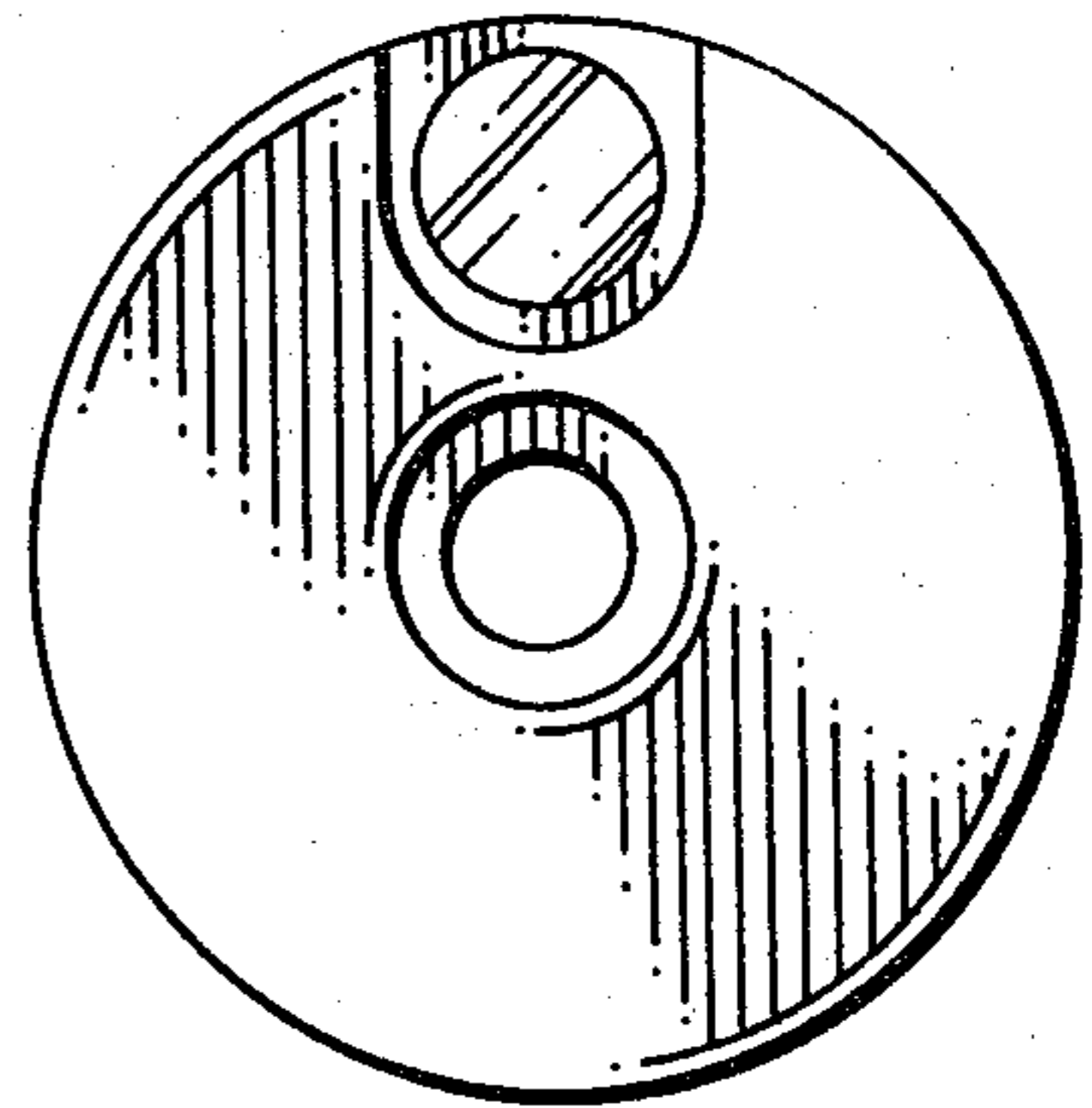


FIG. 3

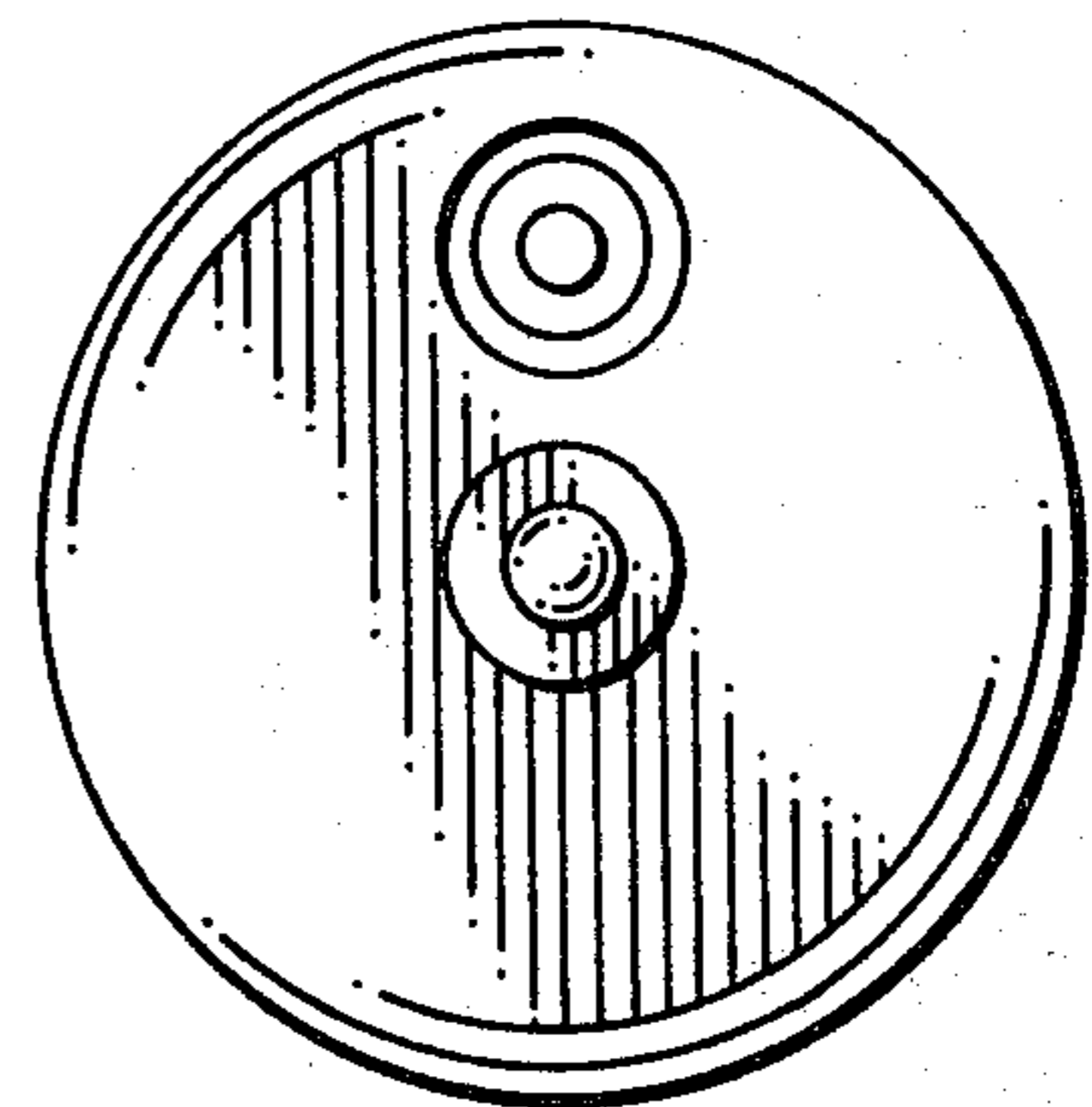


FIG. 4

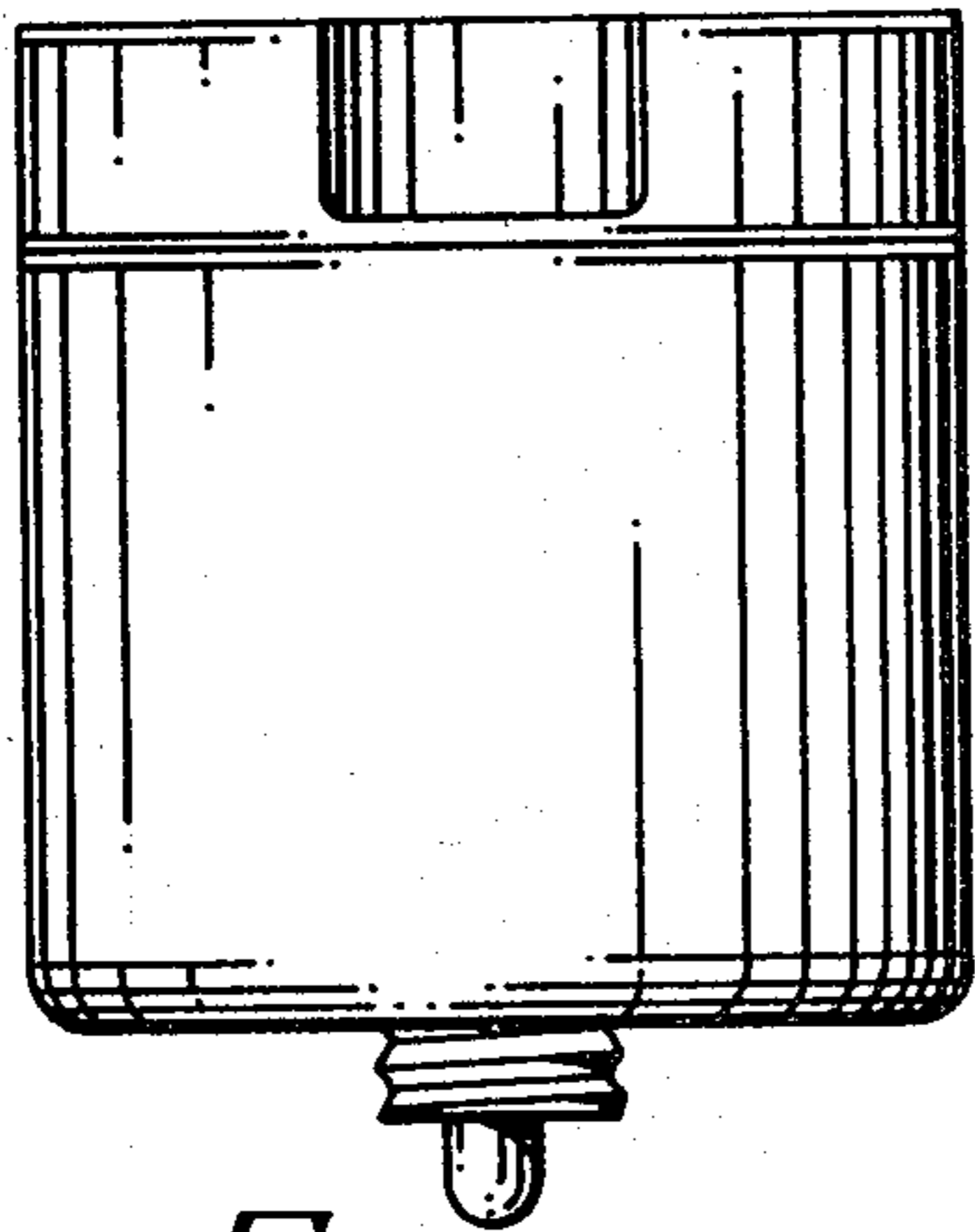


FIG. 5

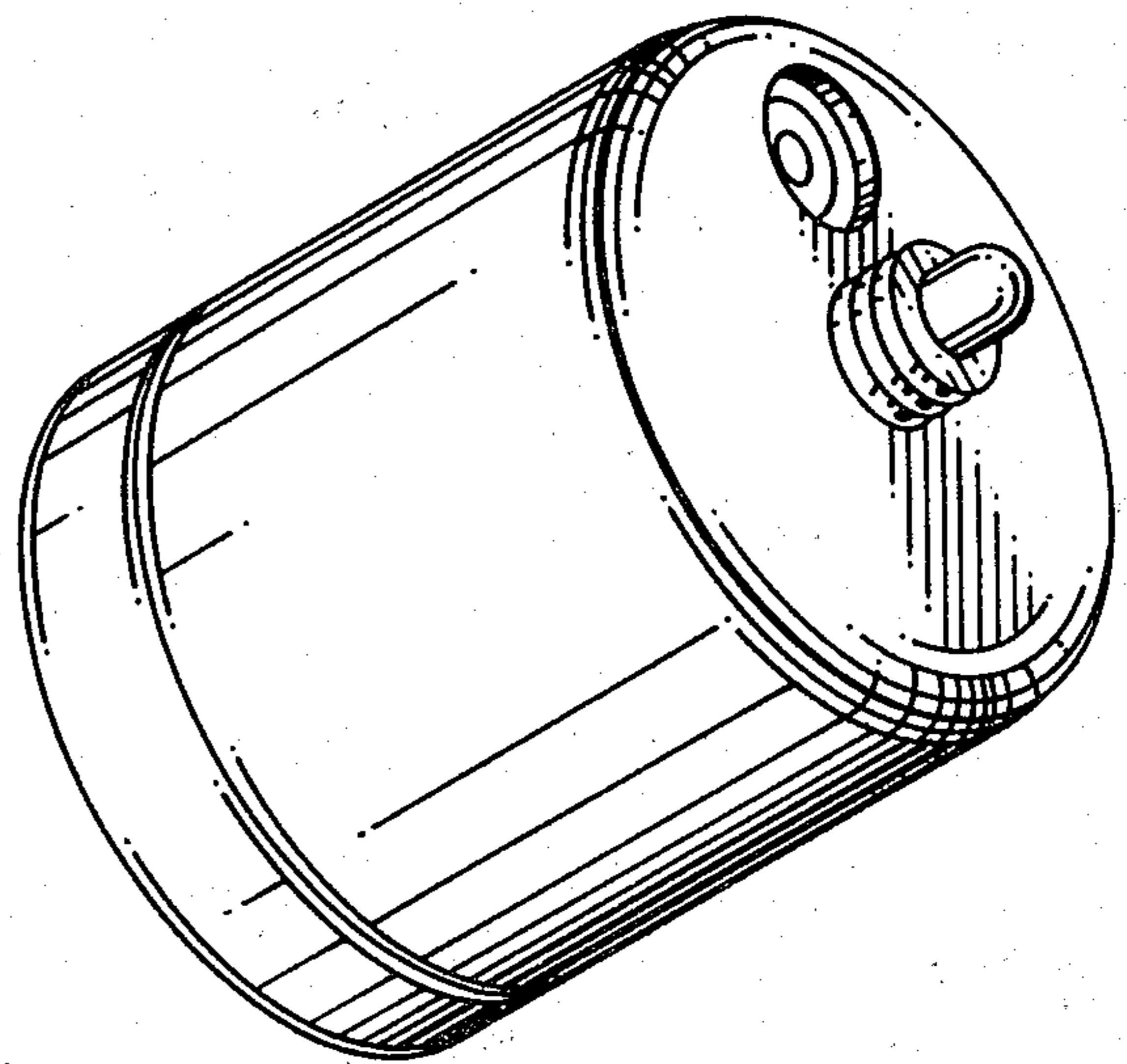


FIG. 2

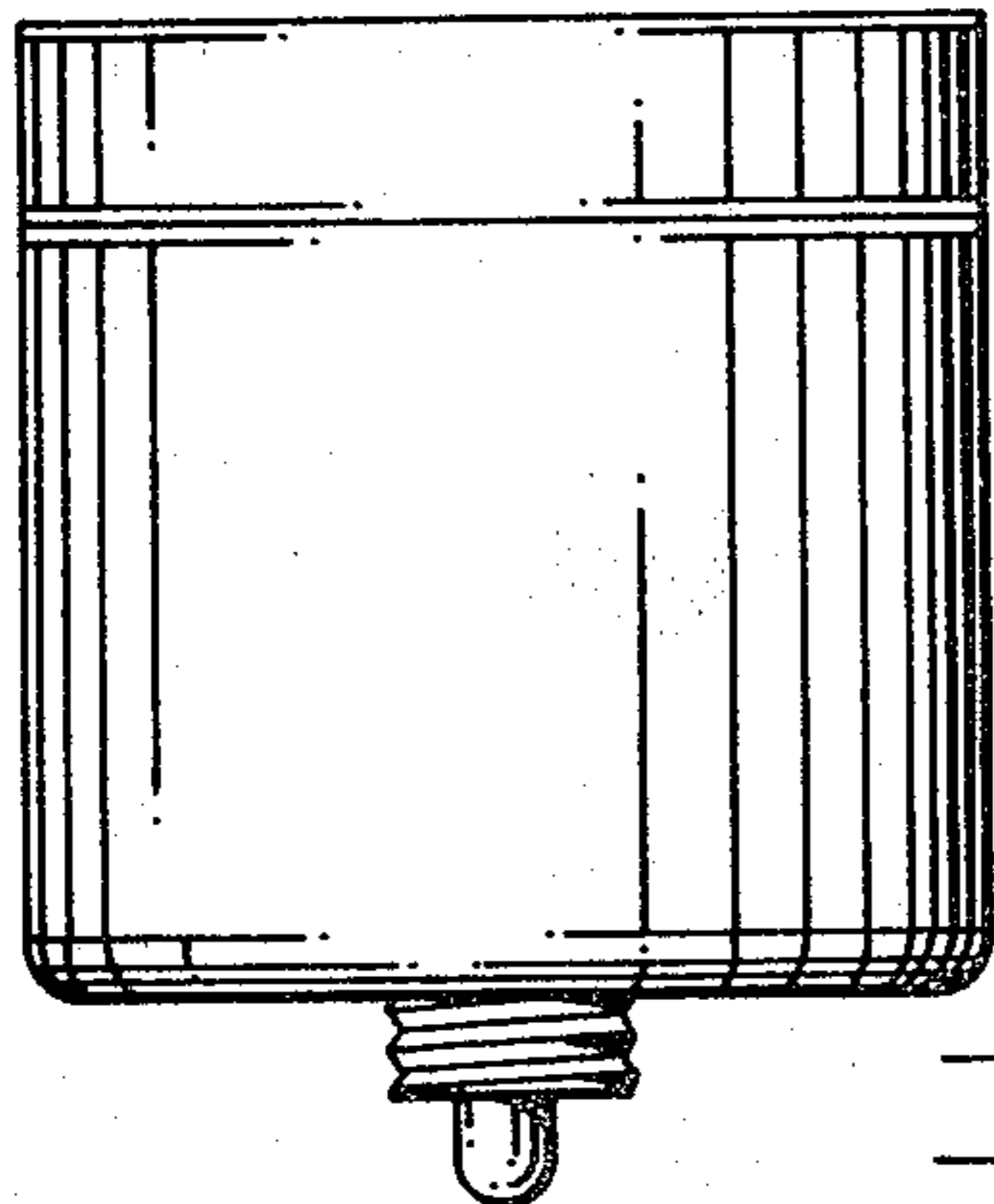


FIG. 6