

[54] SAFETY FLUSH VALVE FITTING FOR  
AUTOMOTIVE AIR CONDITIONER

[76] Inventor: Harrison Burruss, 3120 Teton Cir.,  
Huntsville, Ala. 35810

[\*\*] Term: 14 Years

[21] Appl. No.: 293,288

[22] Filed: Aug. 17, 1981

[52] U.S. Cl. .... D23/21

[58] Field of Search ..... D23/19, 20, 21, 22;  
251/148

D. 217,246	4/1970	Armand	.....	D23/21
D. 260,280	8/1981	Campbell	.....	D23/22
D. 264,616	5/1982	Hull	.....	D23/34
1,081,968	12/1913	Kitts, Jr.	.....	251/148
3,890,999	6/1975	Moskow	.....	251/148 X

Primary Examiner—Catherine E. Kemper  
Attorney, Agent, or Firm—C. A. Phillips

[57] CLAIM

The ornamental design for a safety flush valve fitting for an automotive air conditioner, substantially as shown and described.

DESCRIPTION

FIG. 1 is a perspective view of a safety flush valve fitting for an automotive air conditioner, showing my new design;

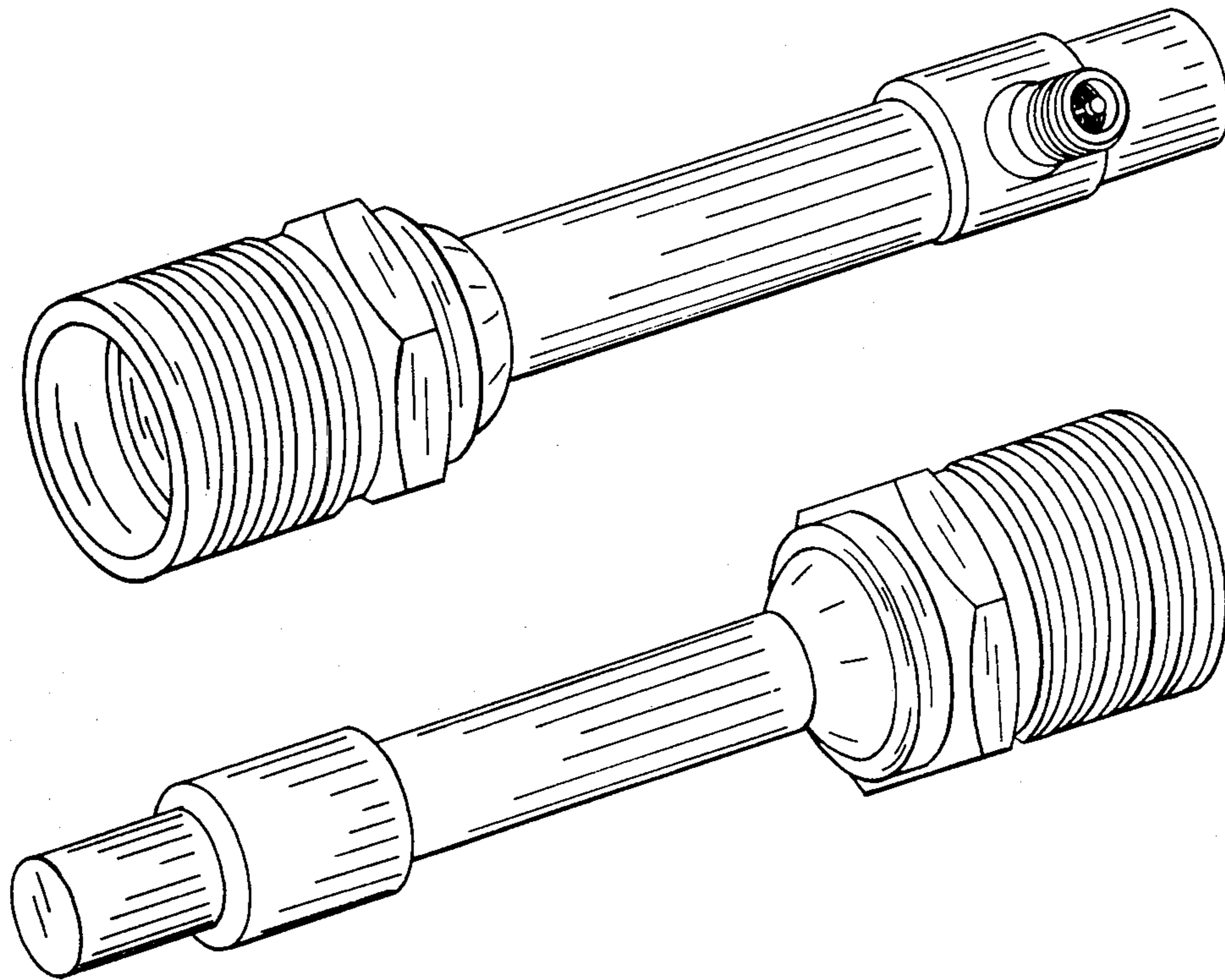
FIG. 2 is a perspective view taken from the opposite end thereof;

FIG. 3 is an end elevational view thereof.

[56] References Cited

U.S. PATENT DOCUMENTS

D. 119,175	2/1940	Shaw	.....	D23/21 X
D. 121,785	8/1940	Ernst	.....	D23/19
D. 180,992	9/1957	Britton	.....	D23/20



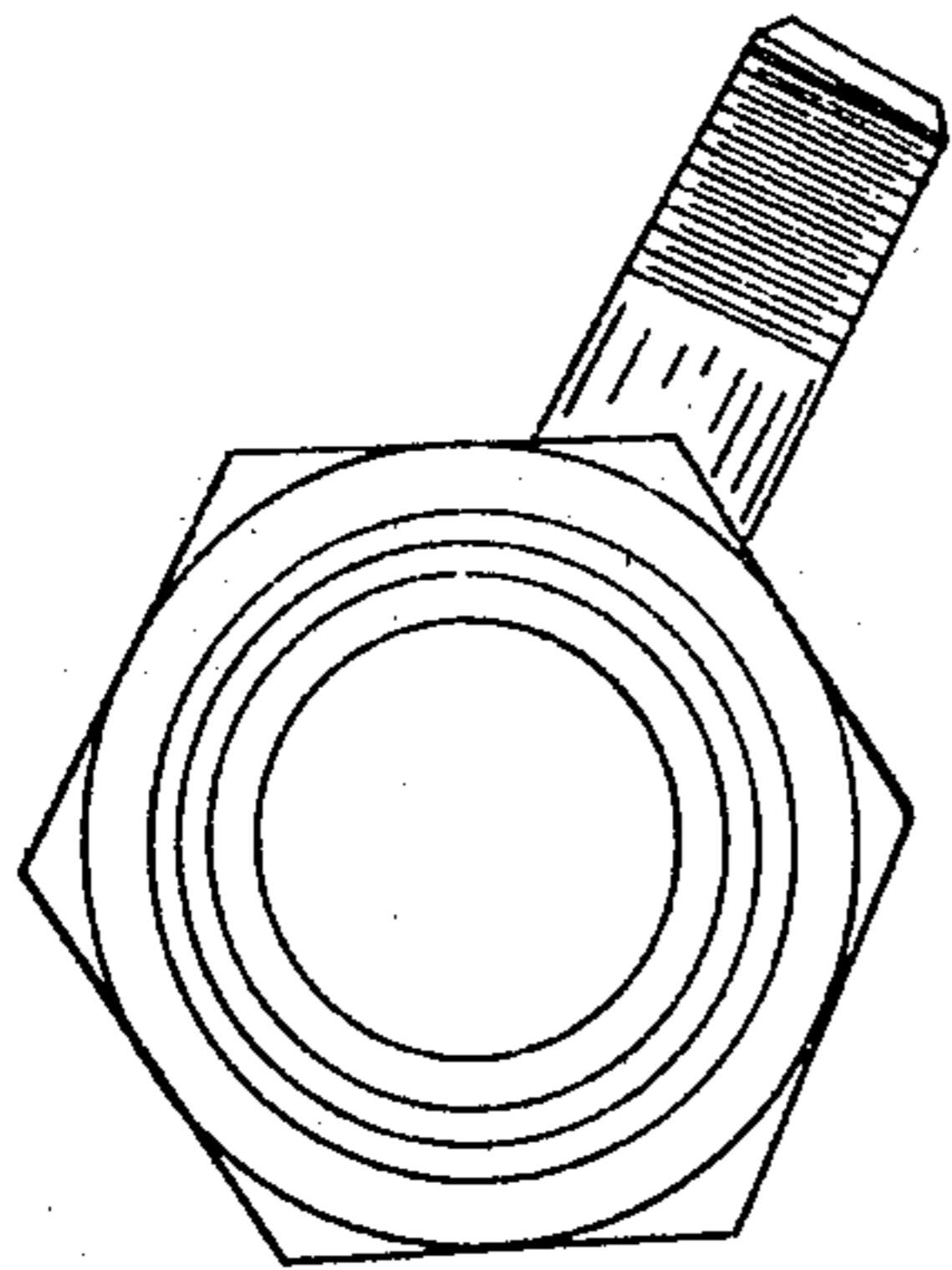


FIG. 3

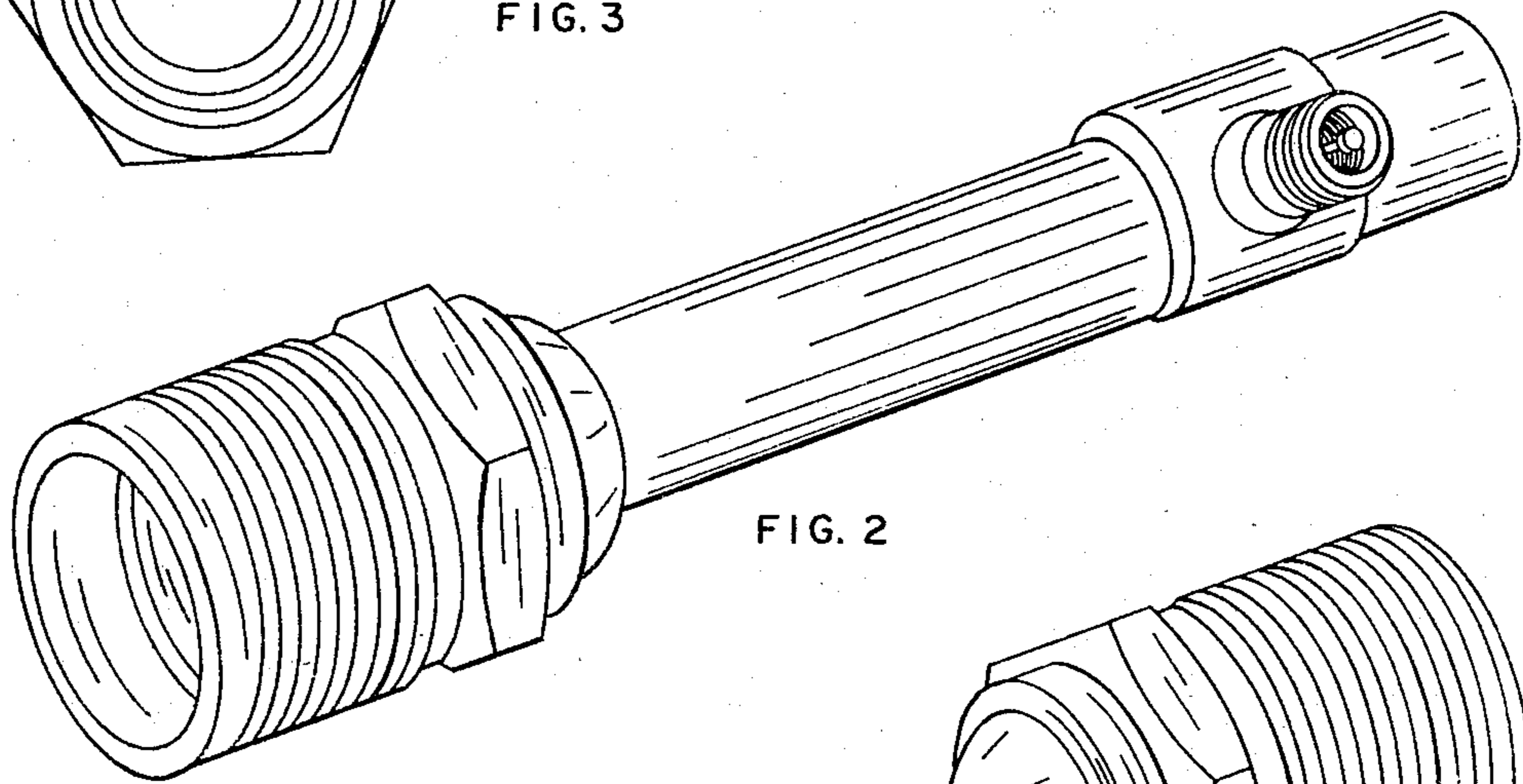


FIG. 2

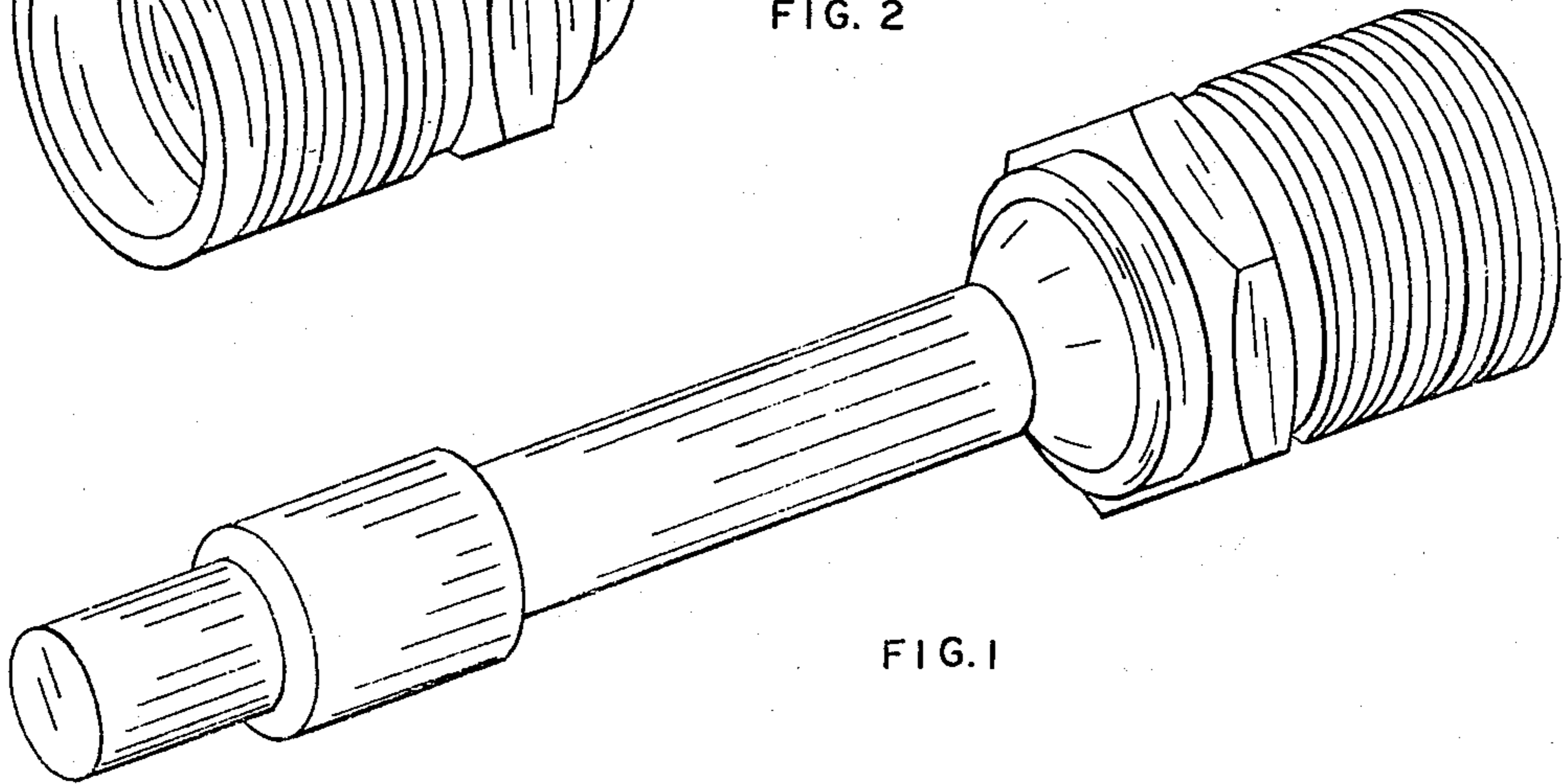


FIG. 1