

[54] SKI BINDING

3,910,591 10/1975 Salomon 280/613
3,947,052 3/1976 Larson 280/611

[75] Inventors: **Hermann R. Segers**, Munich; **Herbert H. Schultes**, Fürstentfeldbruck, both of Fed. Rep. of Germany

[73] Assignee: **Marker-Patentverwertungsgesellschaft mbH.**, Baar, Switzerland

[**] Term: **14 Years**

[21] Appl. No.: **290,010**

[22] Filed: **Aug. 4, 1981**

[30] **Foreign Application Priority Data**

Feb. 5, 1981 [DE] Fed. Rep. of Germany MR12400

[52] U.S. Cl. **D21/230**

[58] Field of Search D21/229, 230, 228;
280/611, 613, 616, 617, 618

[56] **References Cited**

U.S. PATENT DOCUMENTS

3,893,682 7/1975 Weinstein et al. 280/613

OTHER PUBLICATIONS

Ski Flash Magazine, 1/76, p. 5, Ski Binding.
Ski Flash Magazine, 3/78, p. 66, "Burt" Ski Binding.
Ski Magazine, 2/77, p. 43, "Team 5" Ski Binding.

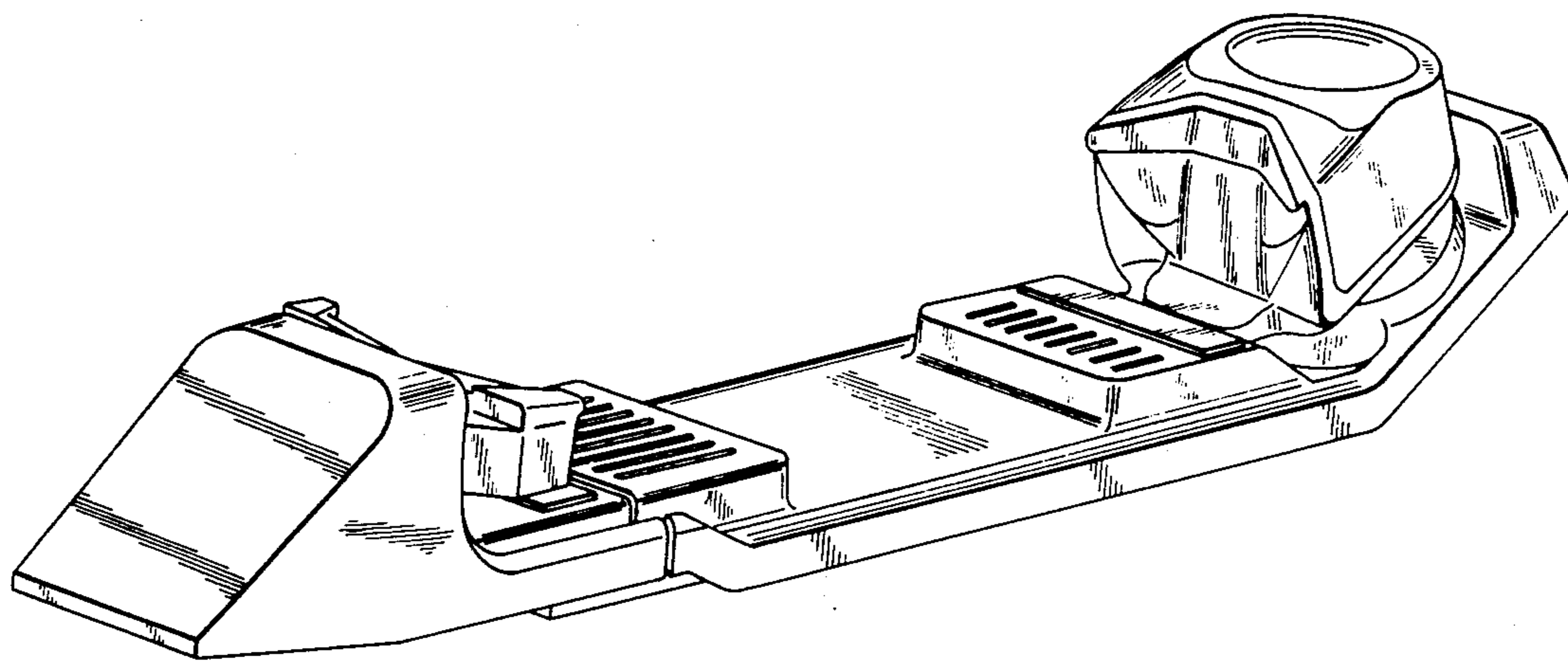
Primary Examiner—Charles A. Rademaker
Attorney, Agent, or Firm—D. Peter Hochberg

[57] **CLAIM**

The ornamental design for ski binding, as shown.

DESCRIPTION

FIG. 1 is a perspective view of a ski binding showing our new design;
FIG. 2 is a side elevational view thereof;
FIG. 3 is a front elevational view thereof;
FIG. 4 is a rear elevational view thereof;
FIG. 5 is a top plan view thereof;
FIG. 6 is a bottom plan view thereof; and
FIG. 7 is a side elevational view of the side opposite that shown in FIG. 2.



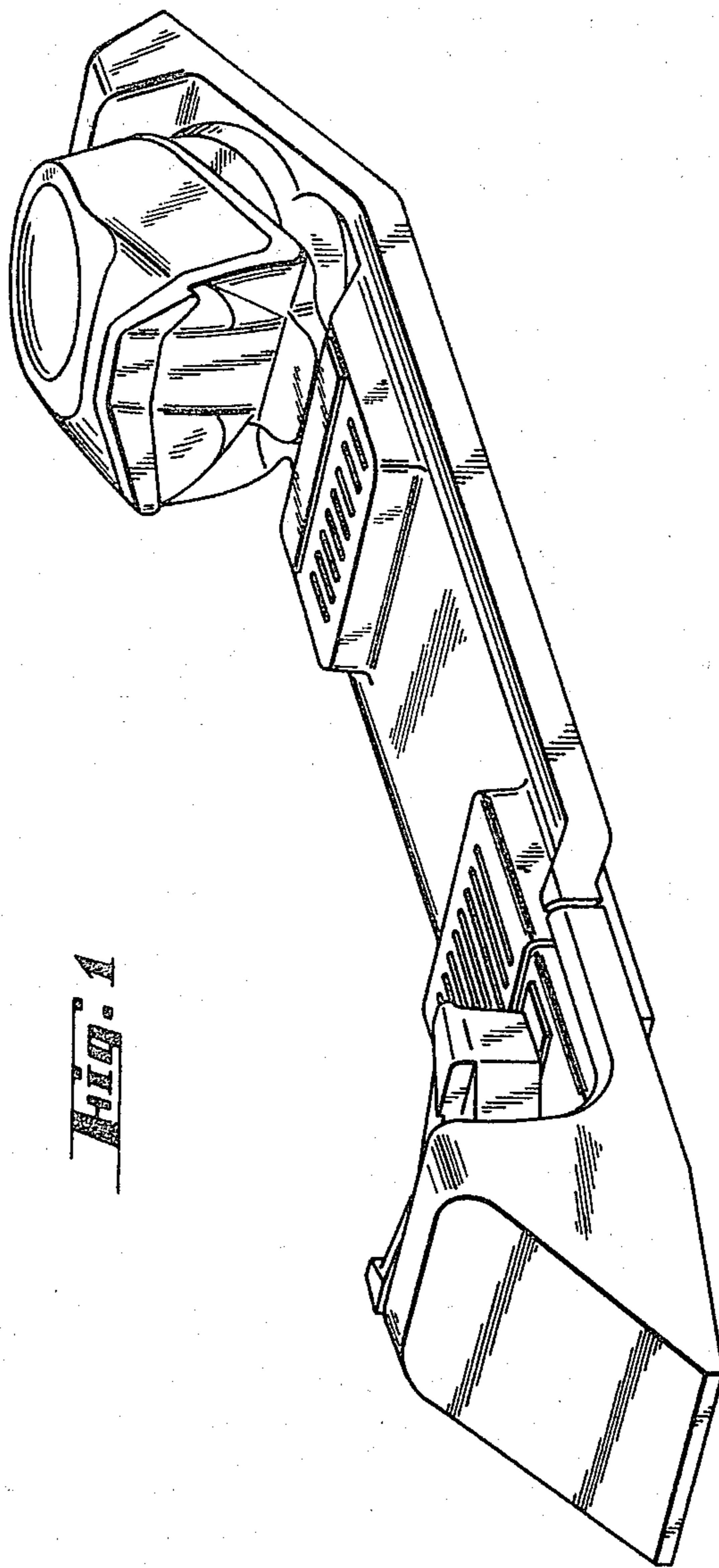


FIG. 1

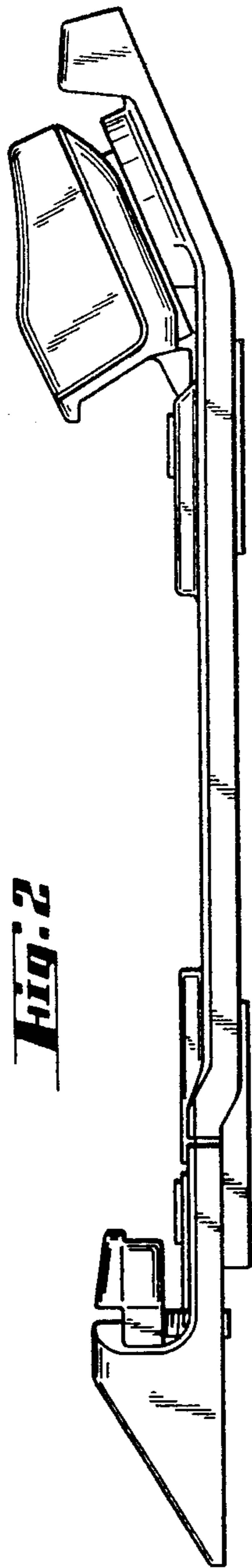


Fig. 2

Fig. 4

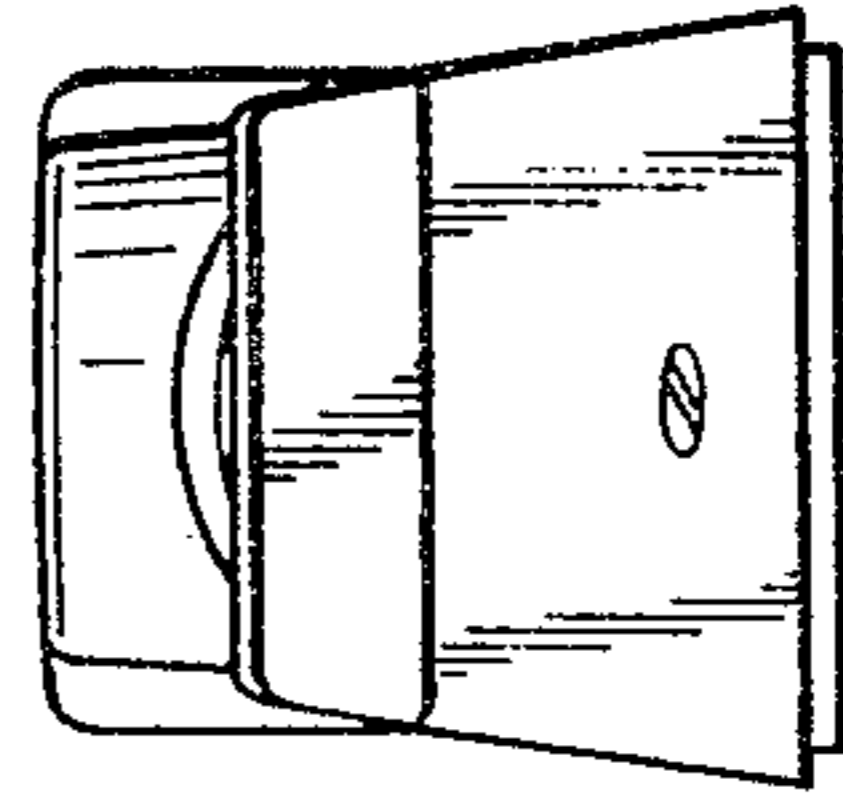


Fig. 3

