

[54] YARD TRACTOR CAB

[75] Inventors: Ronald V. Skaff, Sausalito; William Giobbi, Tiburon, both of Calif.

[73] Assignee: A G Motor Corp., Fresno, Calif.

[**] Term: 14 Years

[21] Appl. No.: 351,497

[22] Filed: Feb. 23, 1982

[52] U.S. Cl. D15/30

[58] Field of Search D15/10-33;
180/69 R, 69 C, 69.2, 69.21, 89 R, 89.12;
296/102, 190, 192; 239/172

[56] References Cited

U.S. PATENT DOCUMENTS

D. 267,486 1/1983 Martin, Jr. D15/30

OTHER PUBLICATIONS

Implement; Tractor, Jun. 7, 1967; p. 14, USS Ex—Ten Steel, Cab—top of page.

Implement; Tractor, Feb. 7, 1971, p. 45, Russian Belarus Tractor—lower left corner. Agricultural Machinery Journal, p. 22, Tractor in lower bottom of page.

Primary Examiner—Bernard Ansher
Assistant Examiner—Suzanne N. Gitlin
Attorney, Agent, or Firm—Freilich, Hornbaker, Rosen & Fernandez

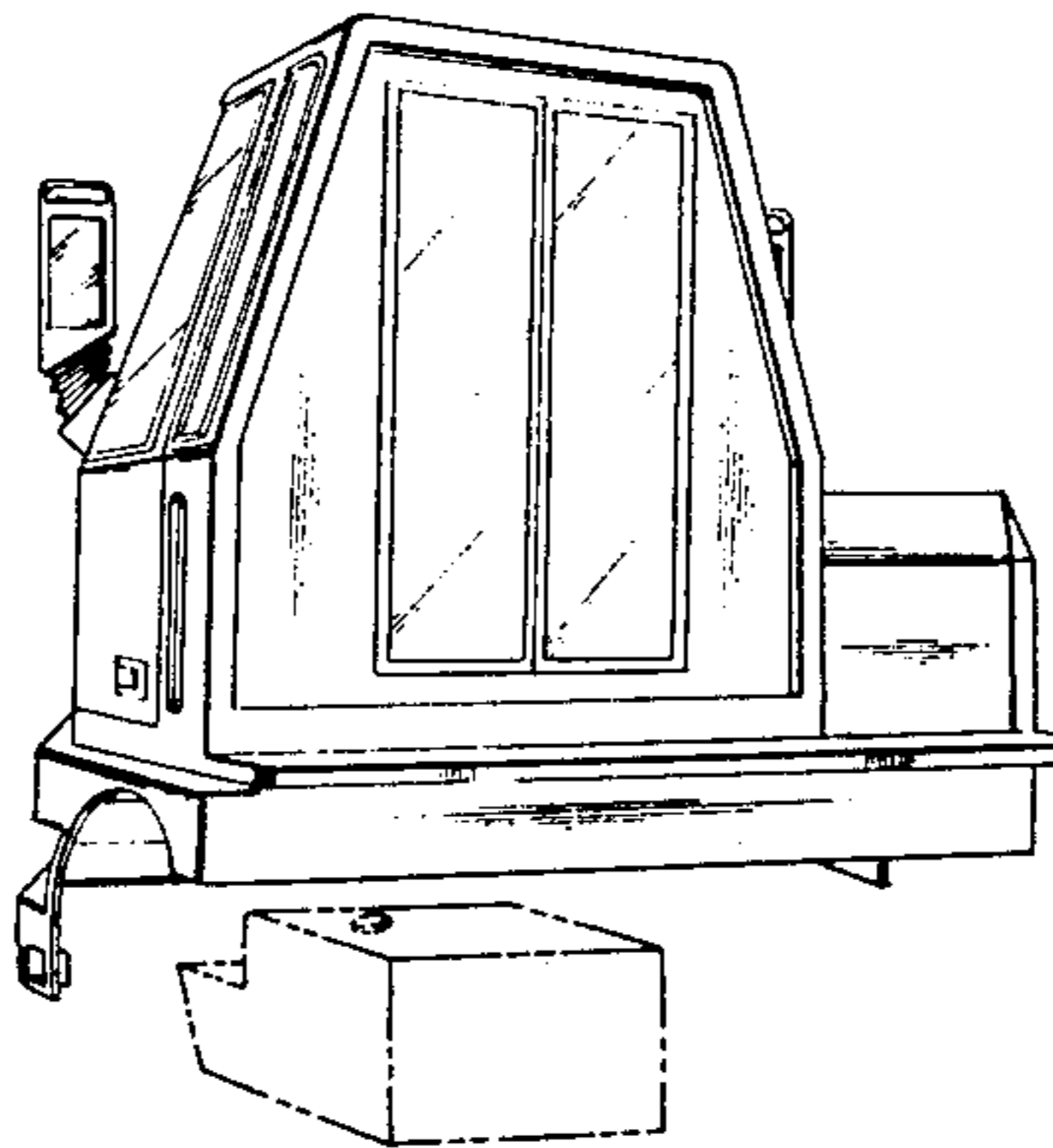
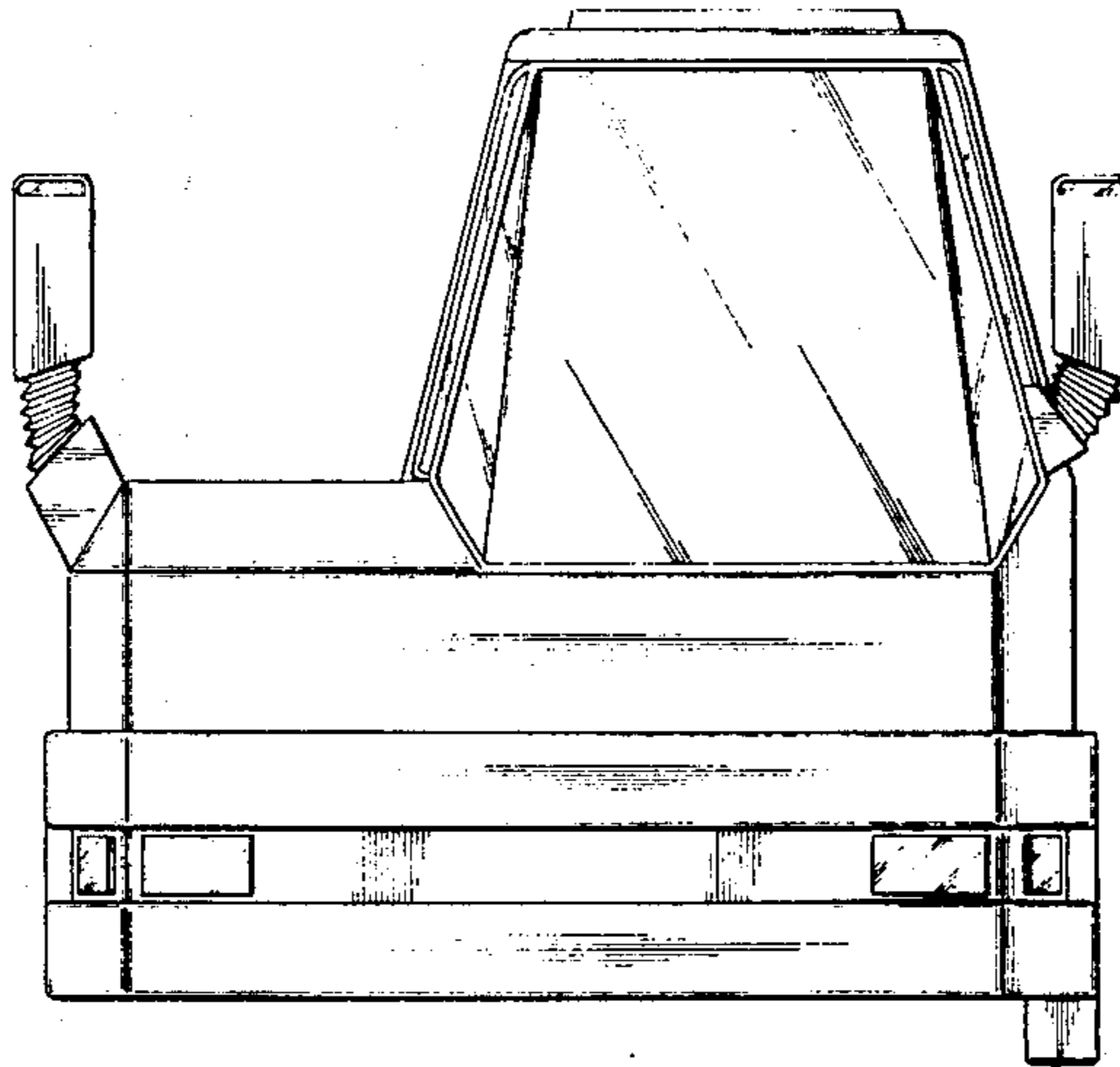
[57] CLAIM

The ornamental design for a yard tractor cab, substantially as shown and described.

DESCRIPTION

FIG. 1 is a left side view of a yard tractor cab, showing our design;
FIG. 2 is a right side view thereof;
FIG. 3 is a top view thereof;
FIG. 4 is a front view thereof; and
FIG. 5 is an isometric view thereof as viewed from the rear left corner.

The broken lines are shown for illustrative purposes only.



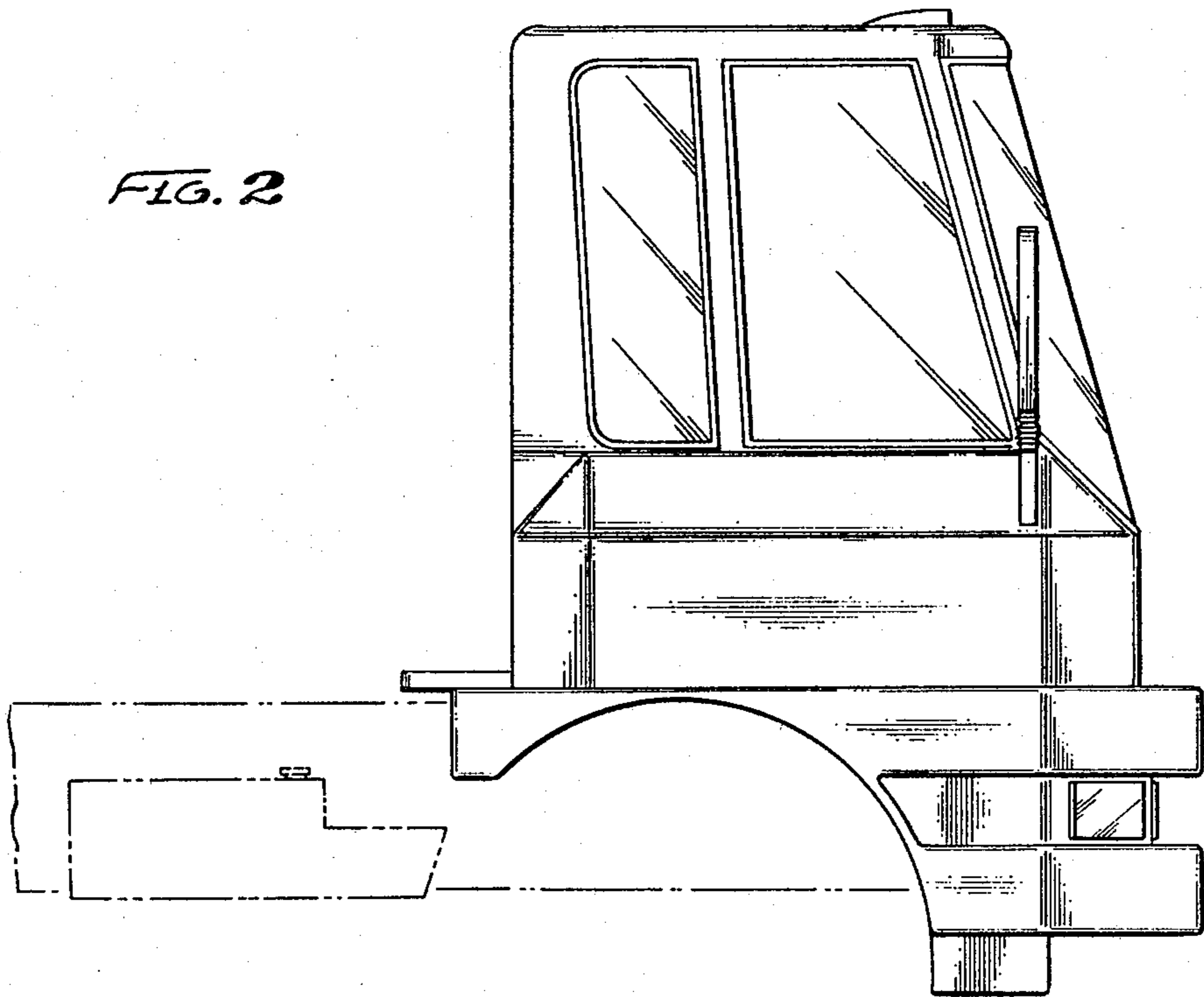
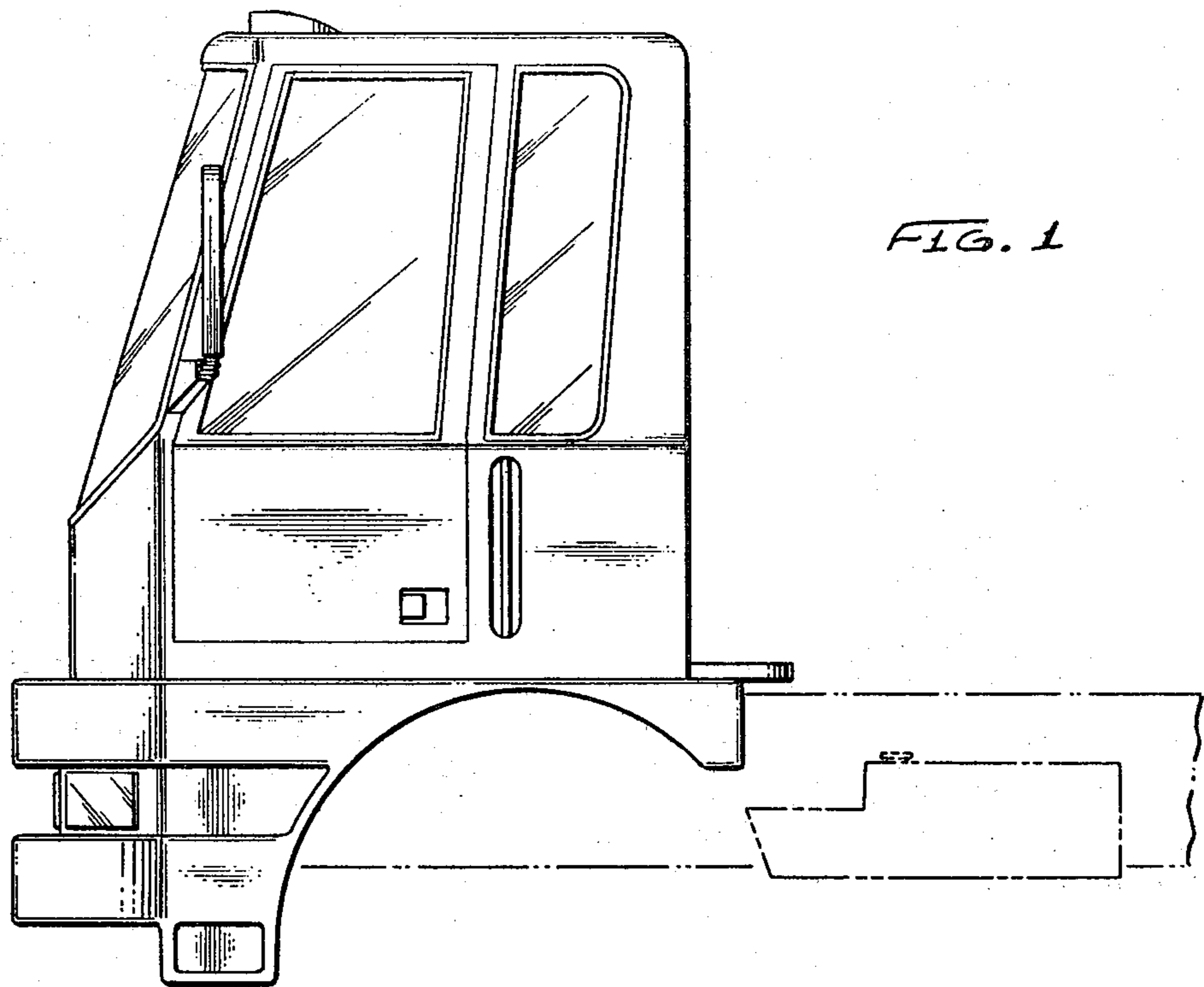


FIG. 3

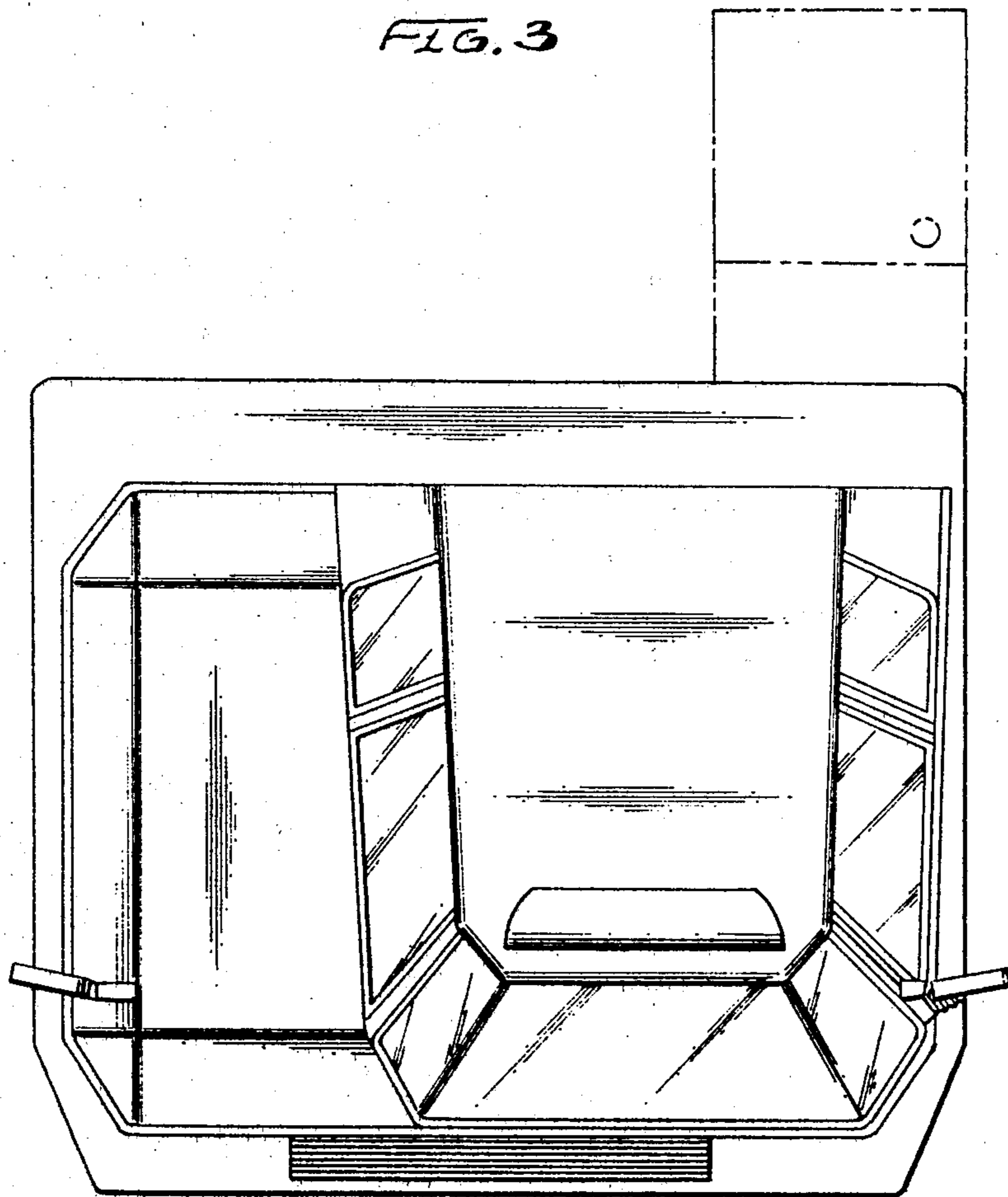


FIG. 4

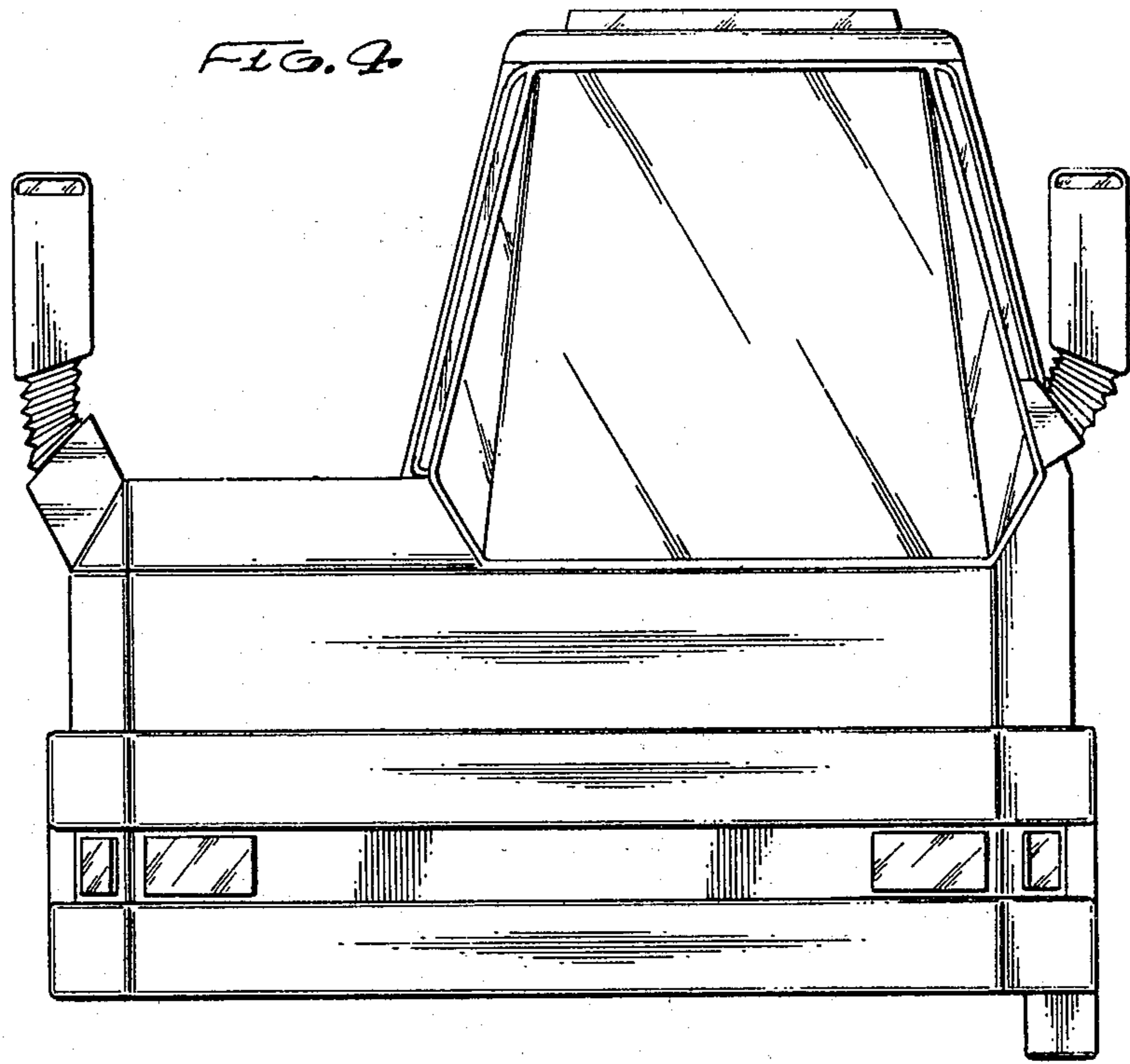


FIG. 5

