

[54] HOUSING FOR A GRAPHIC TELEPHONE

[75] Inventors: Jack P. Hall; Richard Fayram, both of Palo Alto; Jeffrey Muscatine, San Jose, all of Calif.

[73] Assignee: Harris Corporation, Melbourne, Fla.

[**] Term: 14 Years

[21] Appl. No.: 352,243

[22] Filed: Feb. 25, 1982

[52] U.S. Cl. D14/54; D14/106; D14/113

[58] Field of Search 179/1 MN, 1 SP, 100 D, 179/178, 179, 81 C; 358/138, 85, 56, 116; D14/54, 113, 52; 340/644; 365/128; 250/216

[56] References Cited

U.S. PATENT DOCUMENTS

- D. 183,032 6/1958 Teague D14/113
- D. 208,634 9/1967 Janda D14/54
- D. 265,311 7/1982 Read et al. D14/54

- D. 266,762 11/1982 Gibson D14/113 X
- D. 267,491 1/1983 Chadima, Jr. D14/106

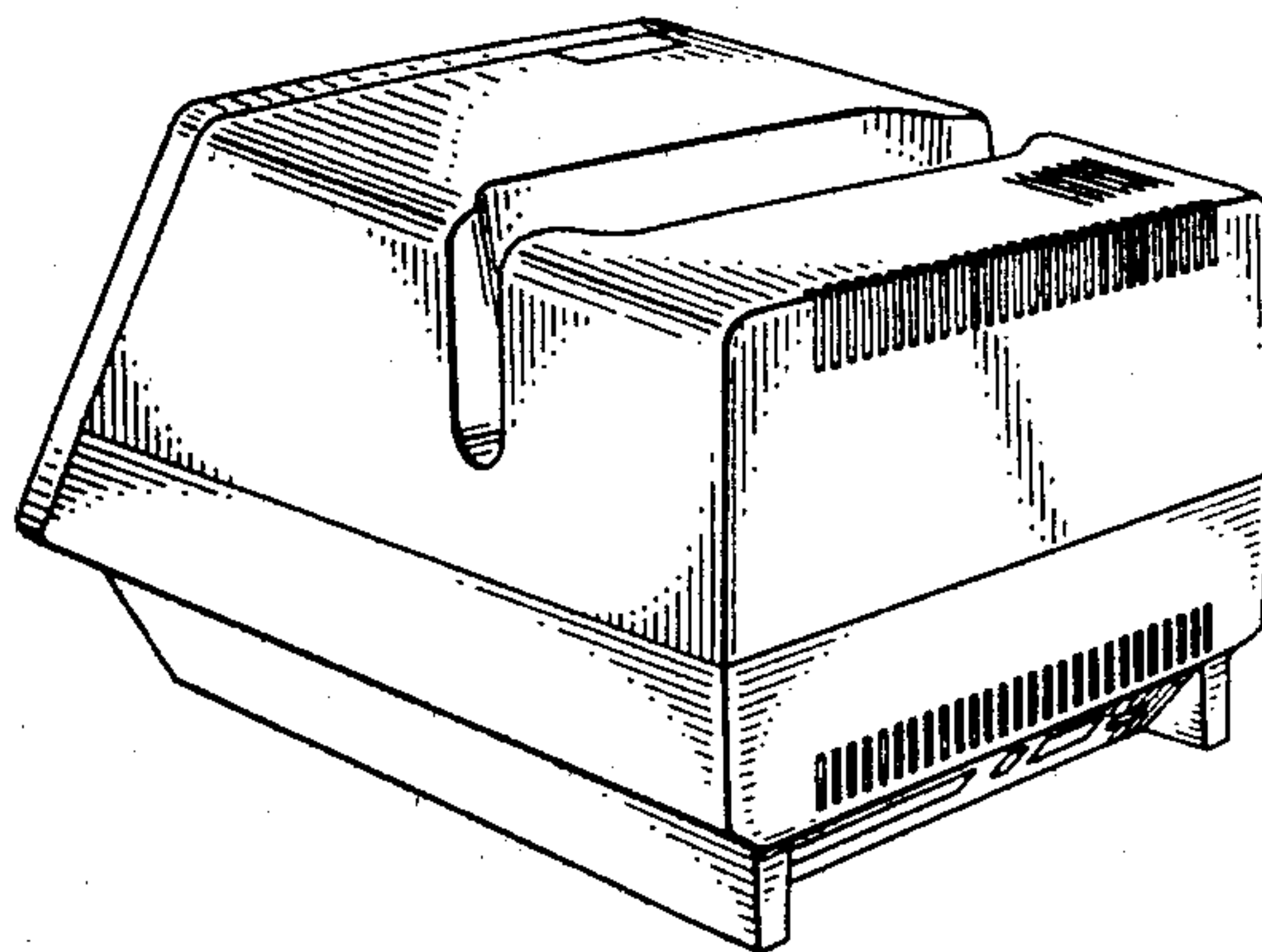
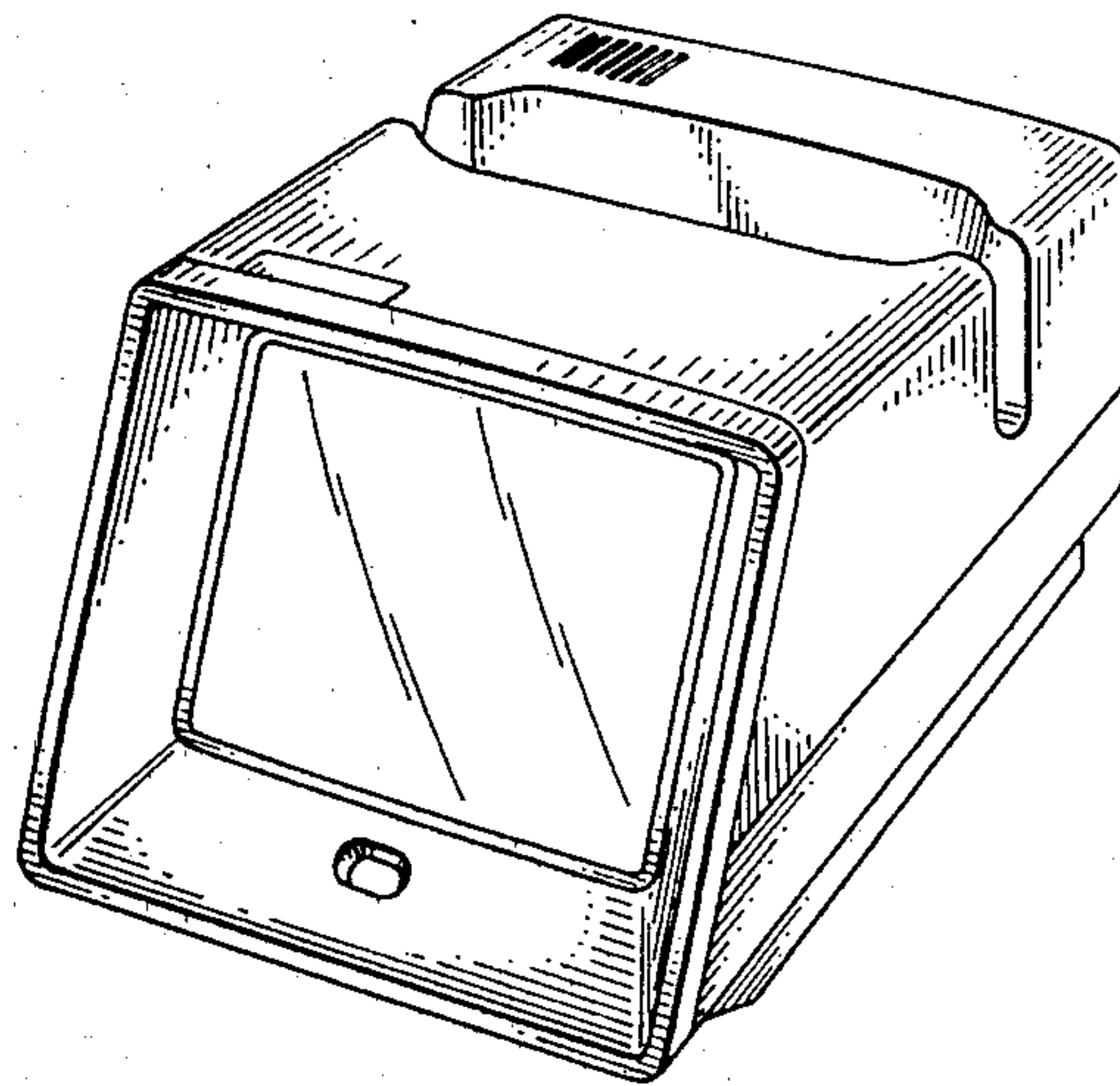
Primary Examiner—Bernard Ansher
Attorney, Agent, or Firm—Majestic, Gallagher, Parsons & Seibert

[57] CLAIM

The ornamental design for a housing for a graphic telephone, as shown and described.

DESCRIPTION

FIG. 1 is a top front perspective view of a housing for a graphic telephone, showing my new design; FIG. 2 is a rear perspective view thereof; FIG. 3 is a reduced front elevation view thereof; FIG. 4 is a top plan view thereof; FIG. 5 is a right side elevation view thereof; FIG. 6 is a left side elevation view thereof; FIG. 7 is a rear elevation view thereof; FIG. 8 is a bottom plan view thereof; and FIG. 9 is a perspective view, similar to FIG. 1; the broken lines representing the telephone handset and light pen are shown for illustrative purposes only.



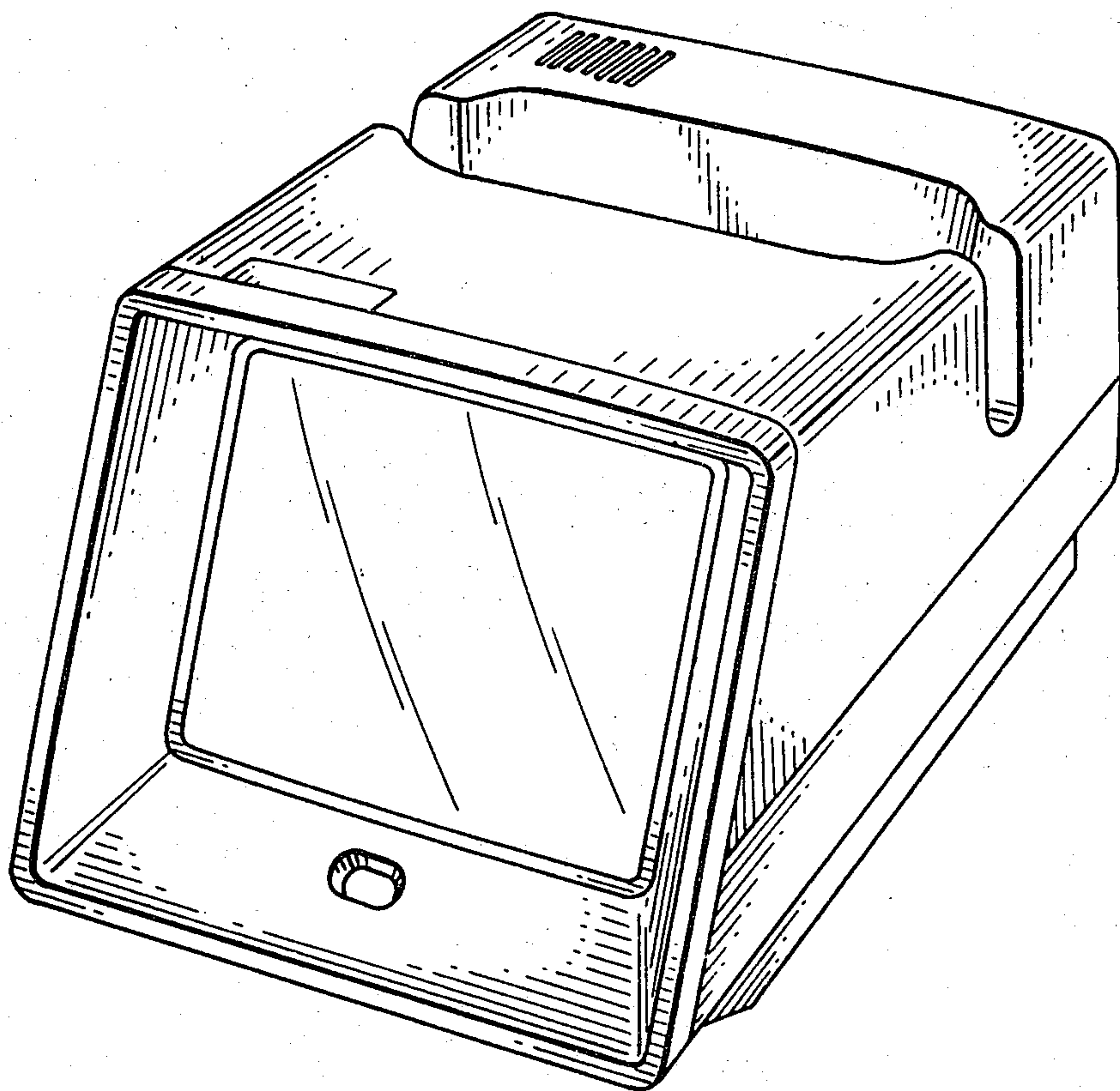


FIG. 1.

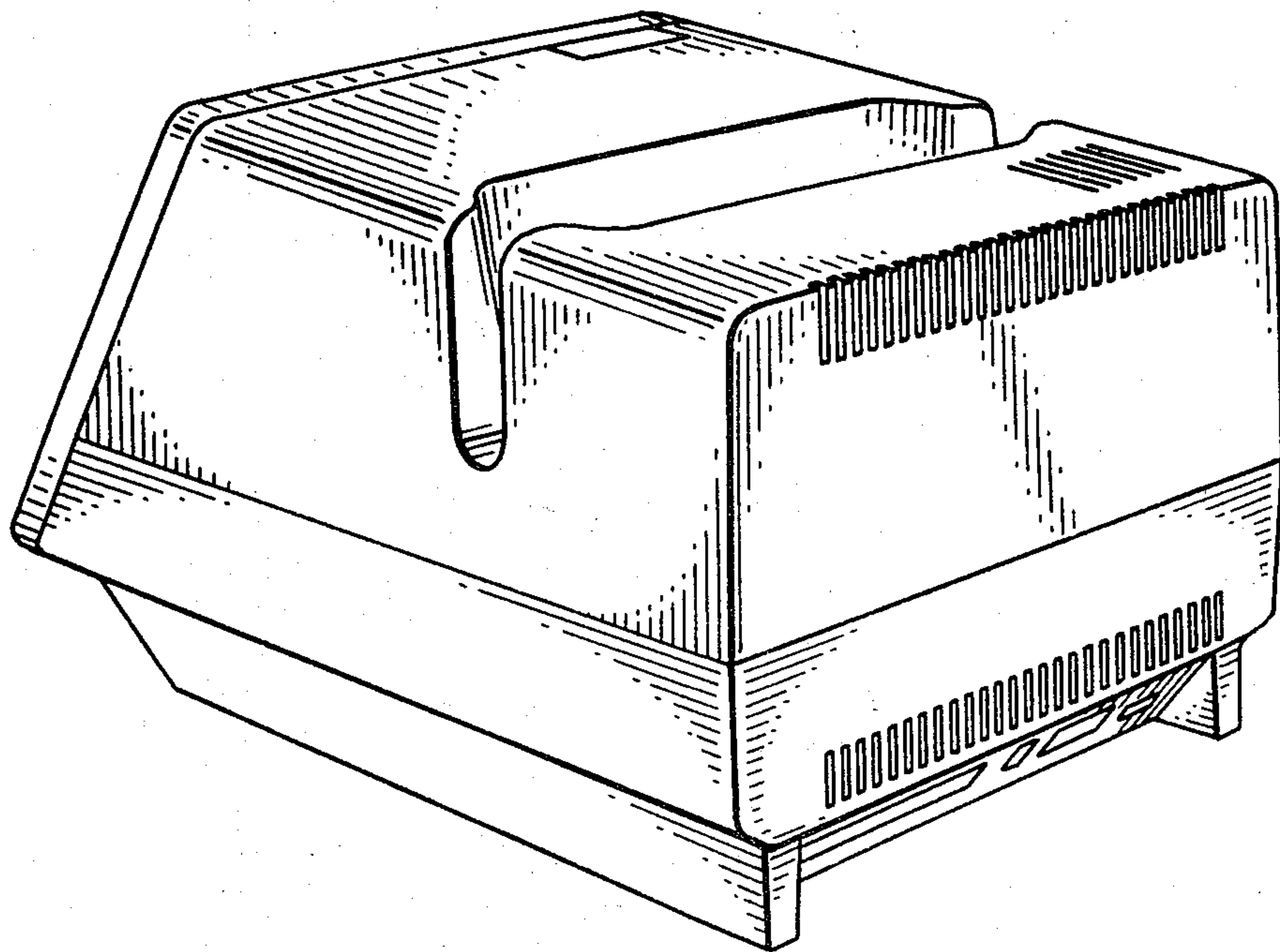


FIG. 2.

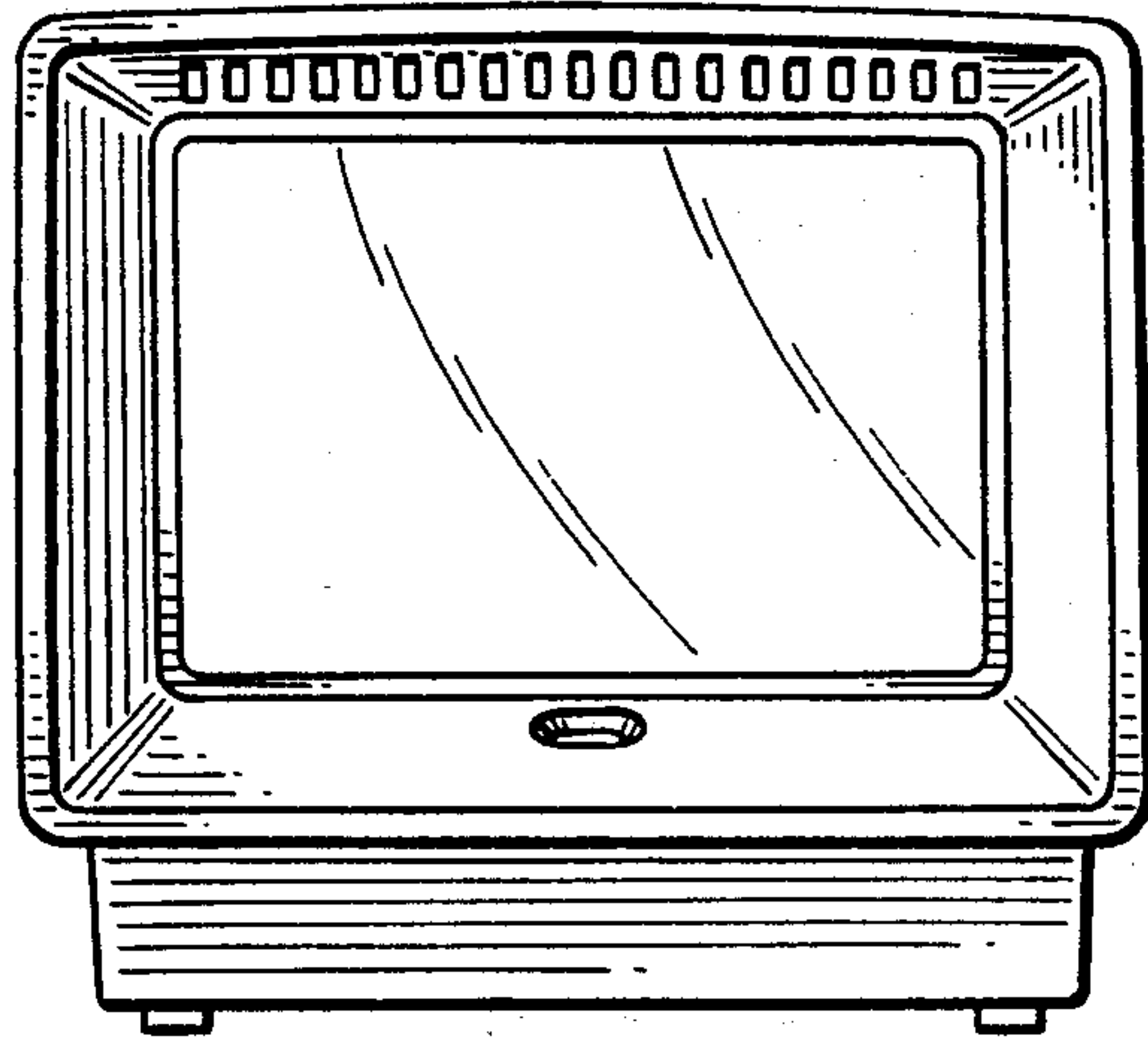


FIG. 3.

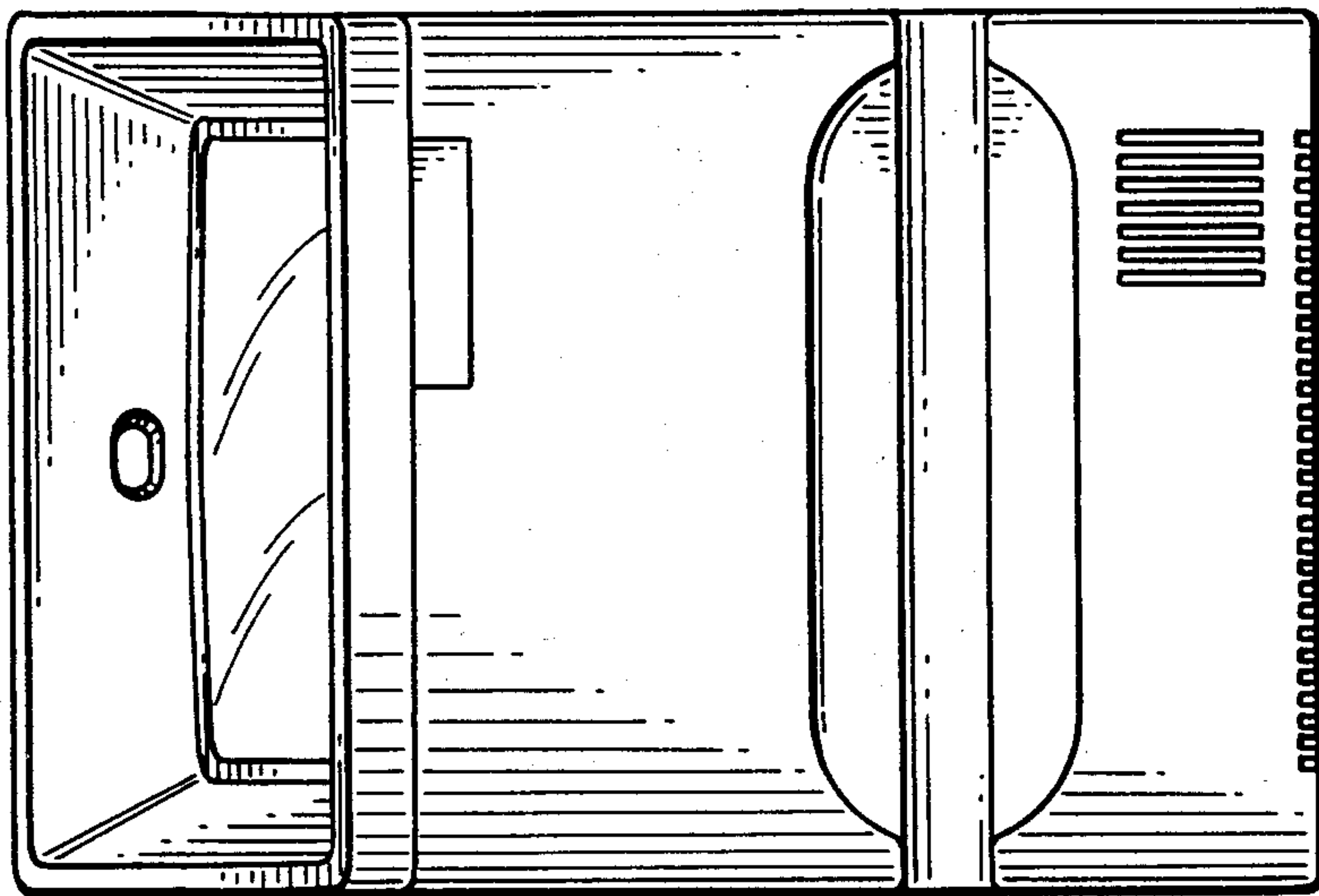


FIG. 4.

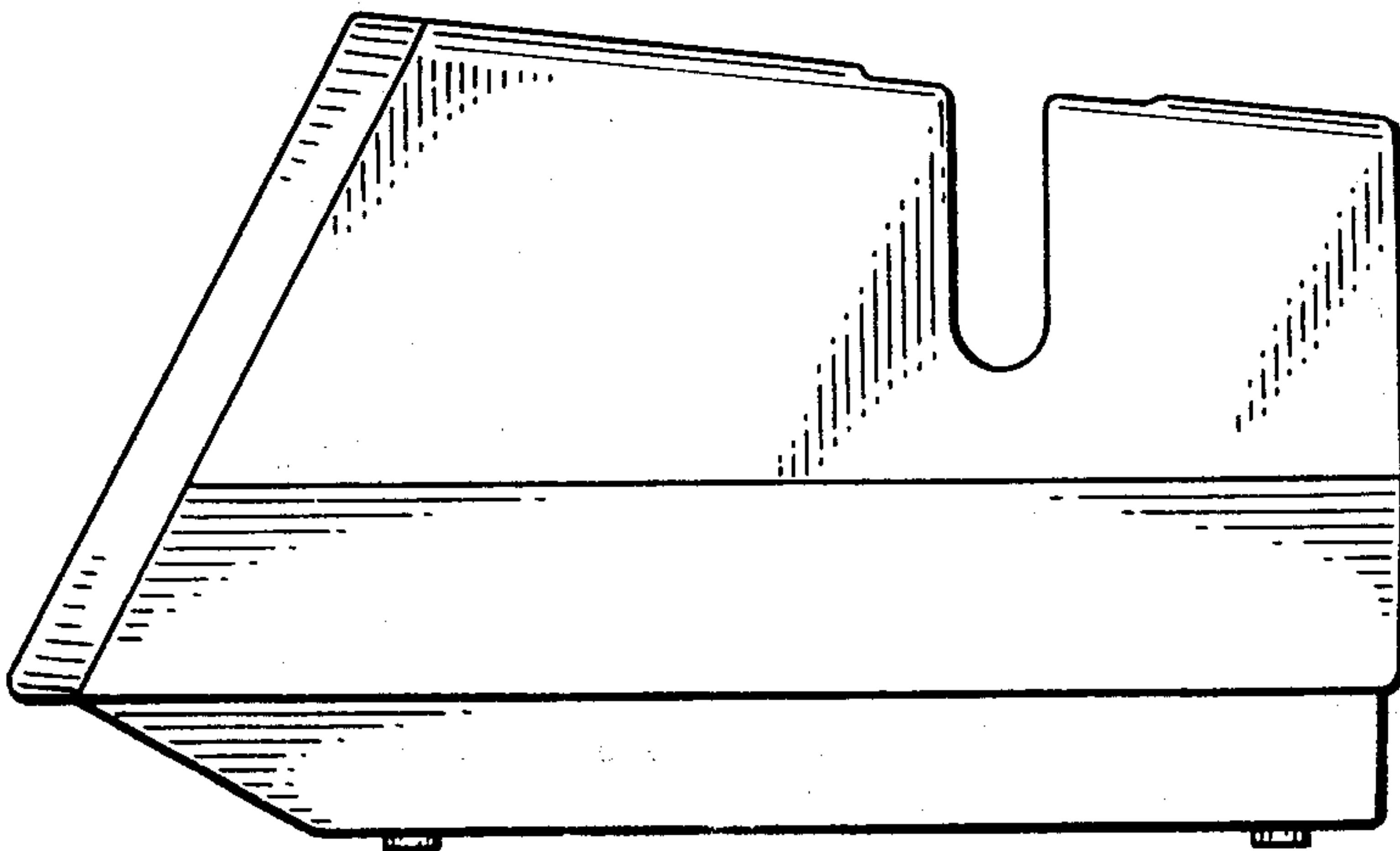


FIG. 5.

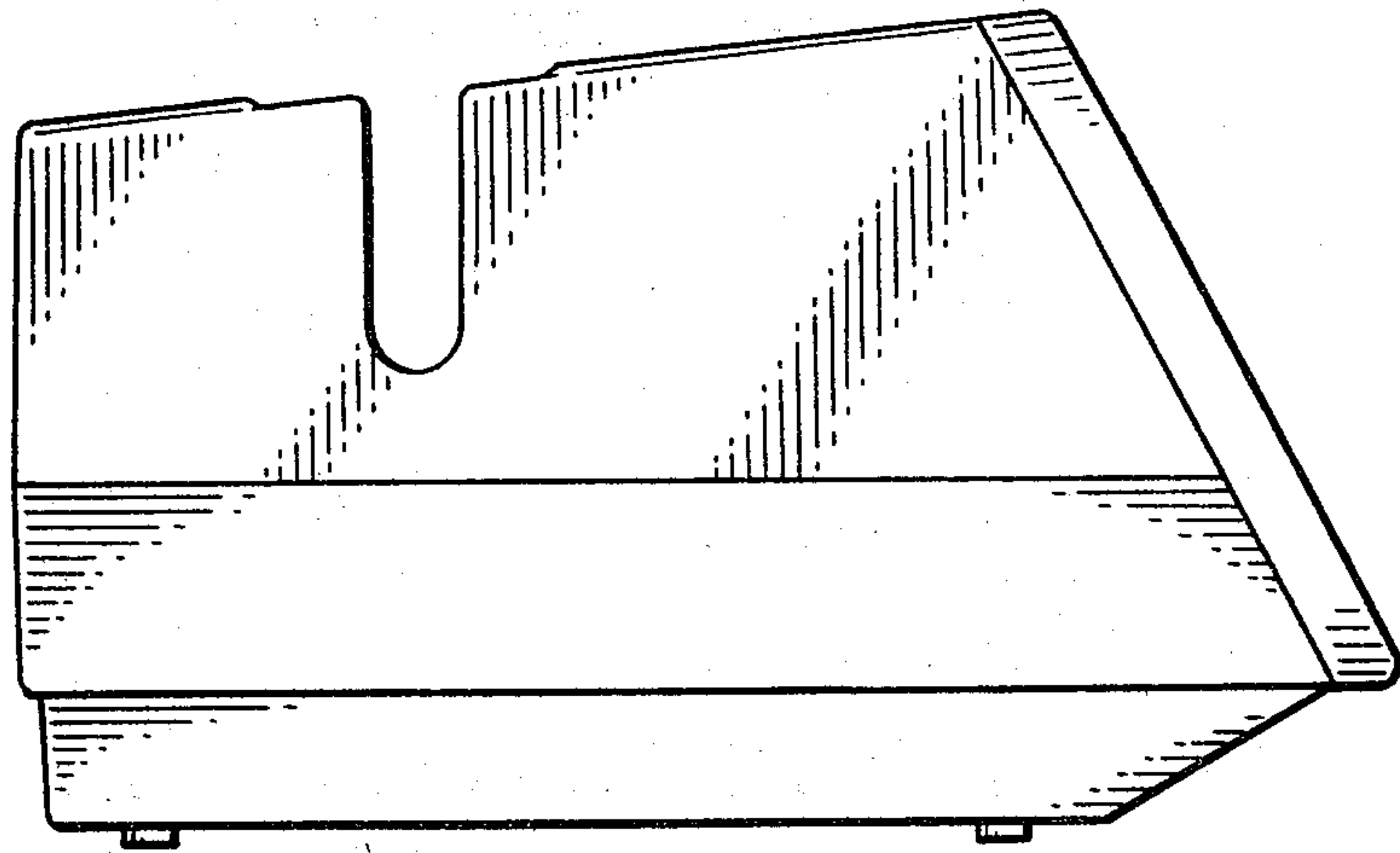


FIG. 6.

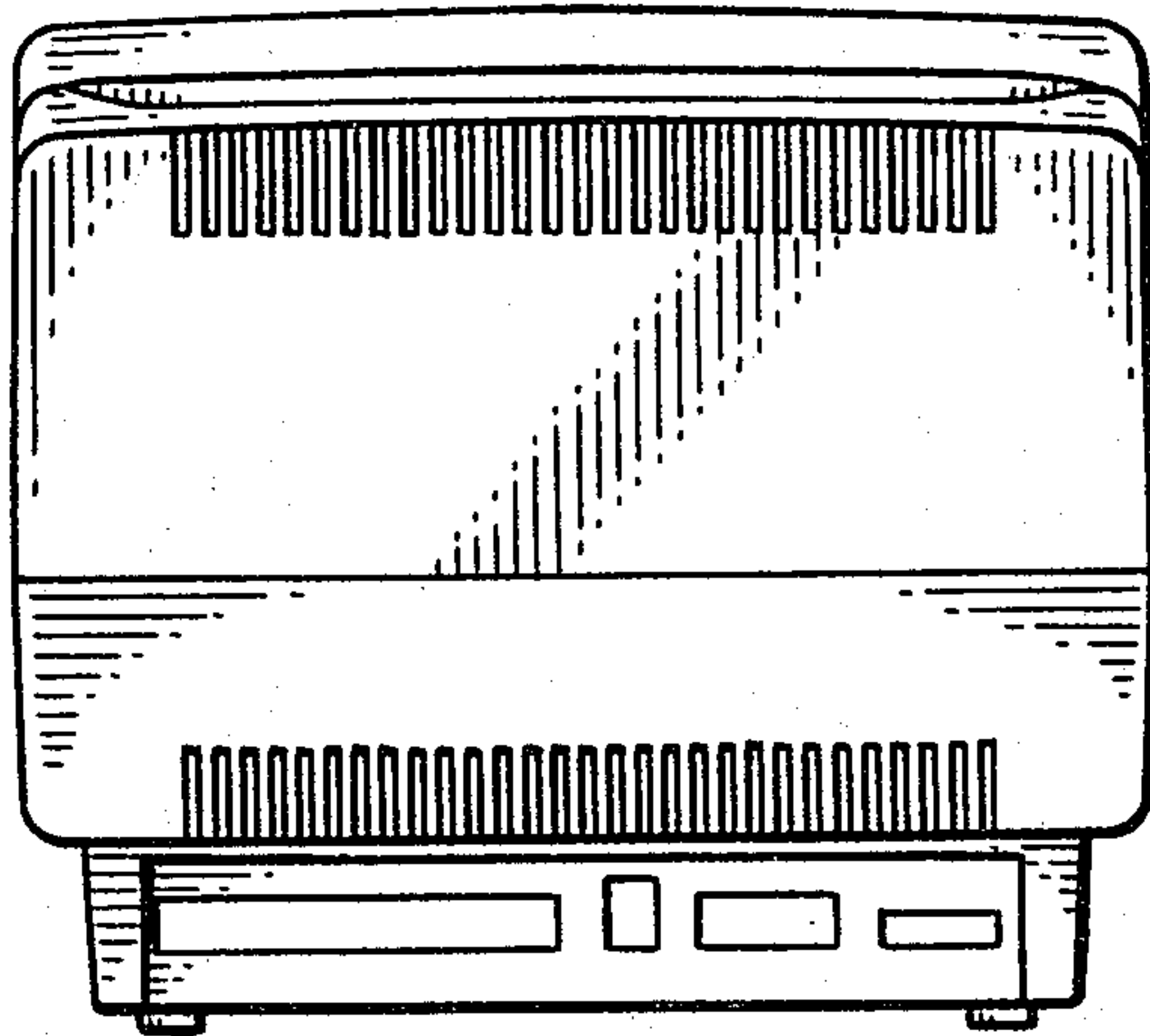


FIG. 7.

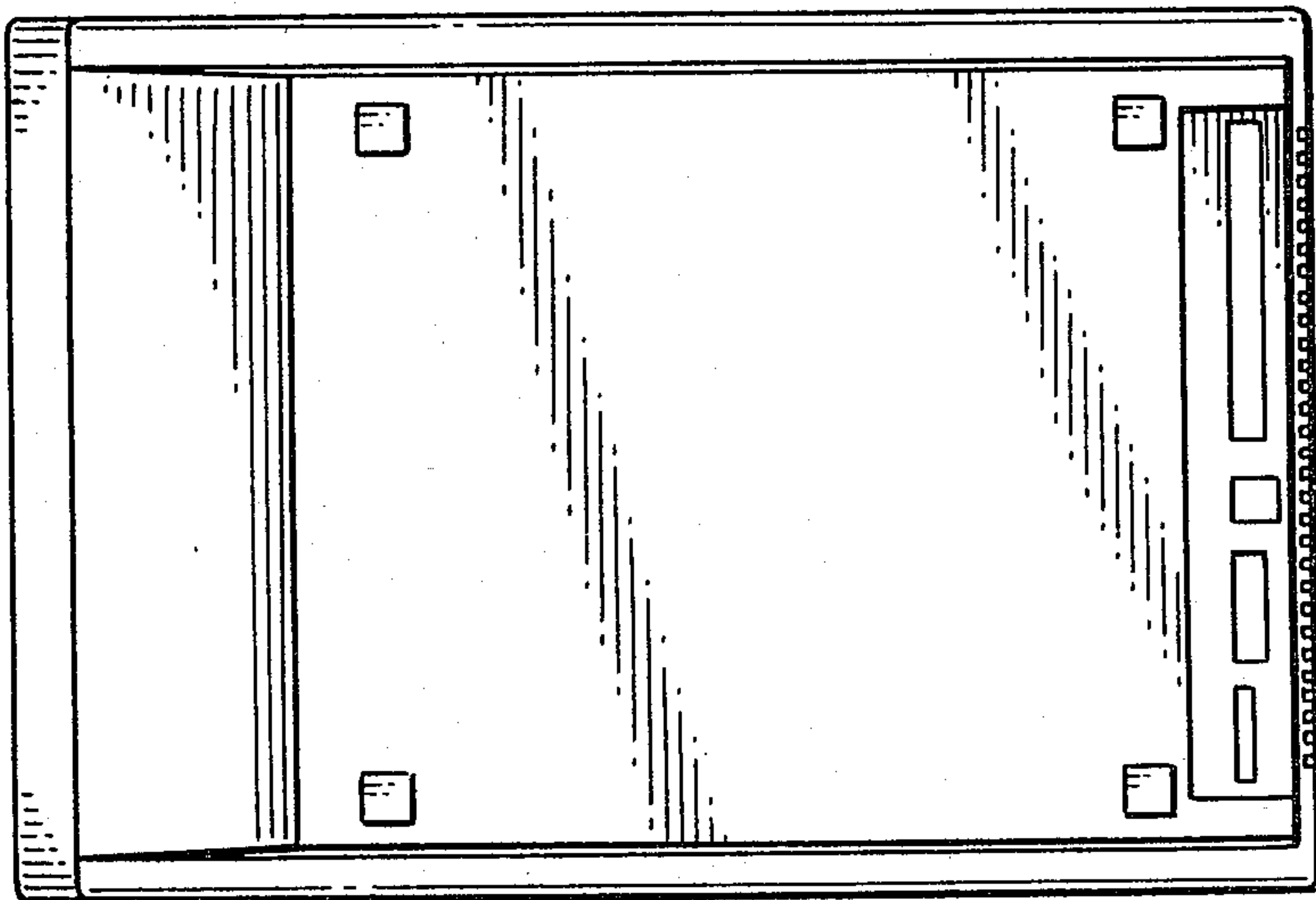


FIG. 8.

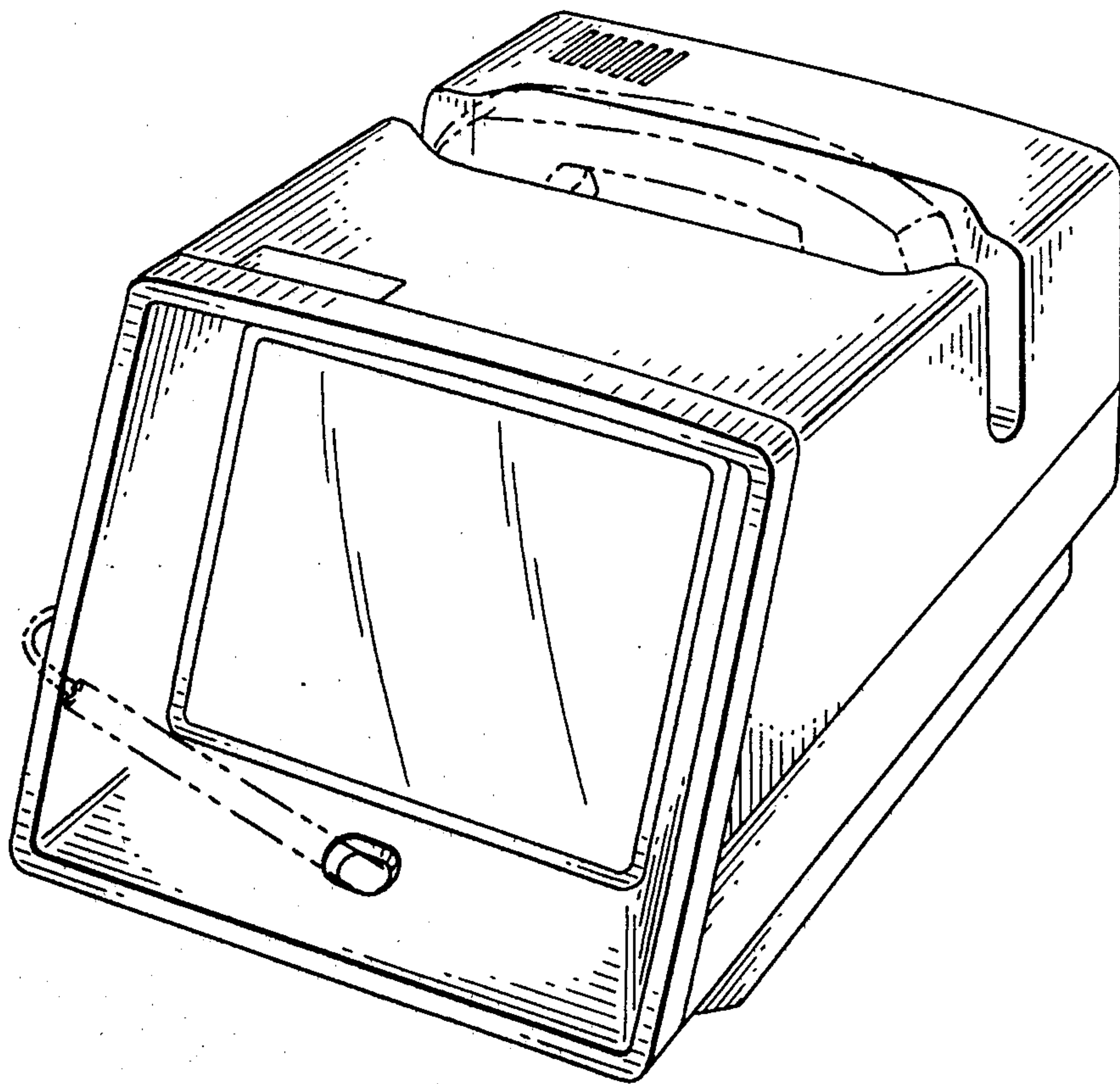


FIG. 9.