

[54] CORNER PAD

4,287,265 9/1981 McKnight 220/448 X

[75] Inventor: Hideo Kato, Tokyo, Japan

Primary Examiner—Robert C. Spangler
Attorney, Agent, or Firm—Birch, Stewart, Kolasch & Birch

[73] Assignee: Fukuoka Paper Manufacturing Co., Ltd., Fukuoka, Japan

[**] Term: 14 Years

[57] CLAIM

The ornamental design for a corner pad, as shown and described.

[21] Appl. No.: 315,069

[22] Filed: Oct. 26, 1981

DESCRIPTION

[30] Foreign Application Priority Data

Jul. 11, 1981 [JP] Japan 56/030474

FIG. 1 is a perspective view of a corner pad showing my new design;

[52] U.S. Cl. D9/434

FIG. 2 is a front elevational view;

[58] Field of Search 206/453, 586; D9/434, D9/499, 456; 220/448

FIG. 3 is a top plan view;

FIG. 4 is a bottom plan view;

FIG. 5 is a right side elevational view;

FIG. 6 is a left side elevational view;

FIG. 7 is a rear elevational view;

FIG. 8 is a cross-sectional view taken on the line A—A in FIG. 2;

FIG. 9 is a disassembled view; and

FIG. 10 is a view partly in section with a portion of a container being shown in broken lines to illustrate environmental use only.

[56] References Cited

U.S. PATENT DOCUMENTS

2,670,122	2/1954	Davidson et al.	206/453 X
3,410,474	11/1968	Keil	206/453 X
3,762,626	10/1973	Dorsey	206/453 X
3,975,564	8/1976	Jones	206/586 X
4,072,231	2/1978	Helms	206/586 X

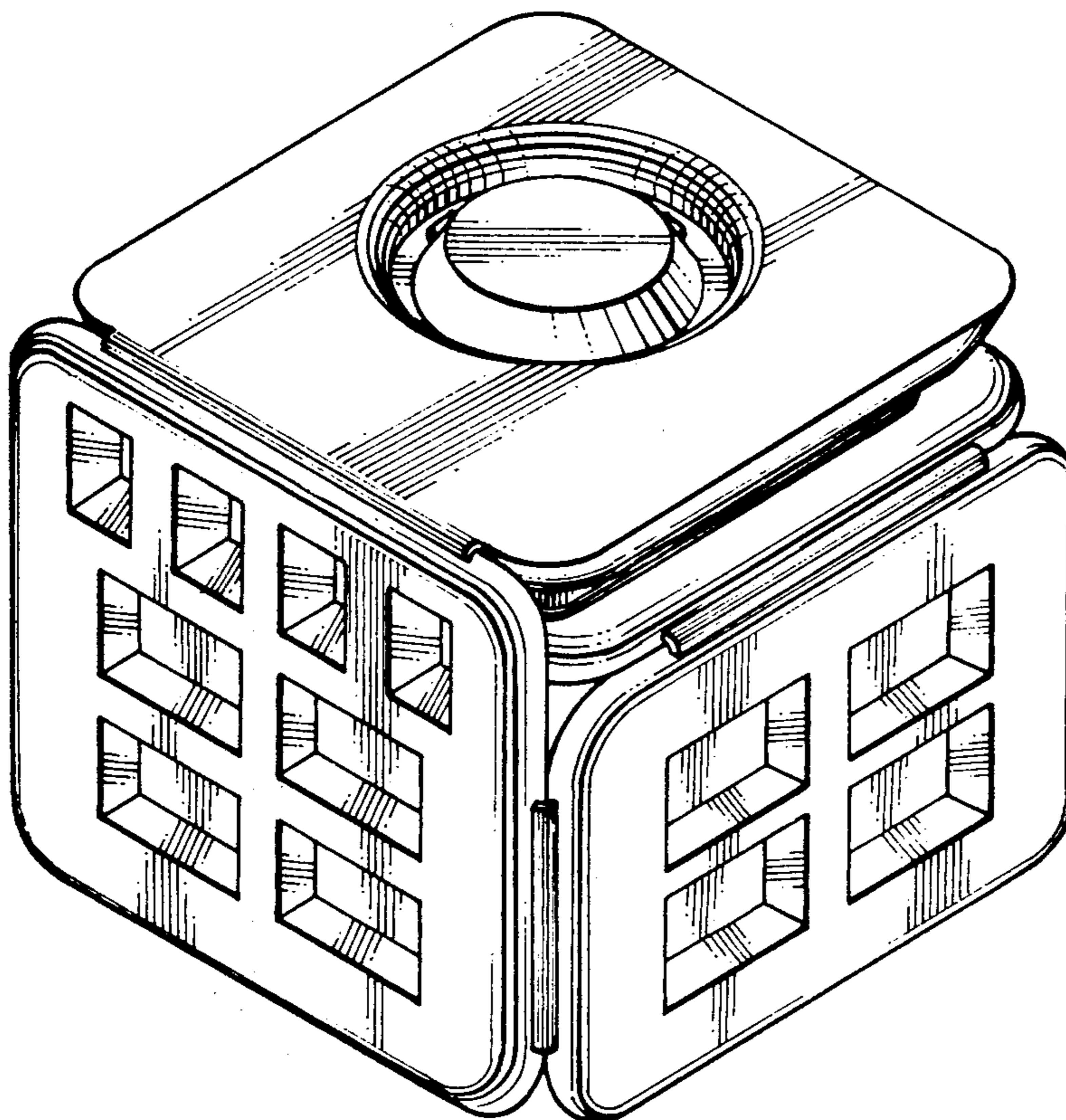


FIG. 1

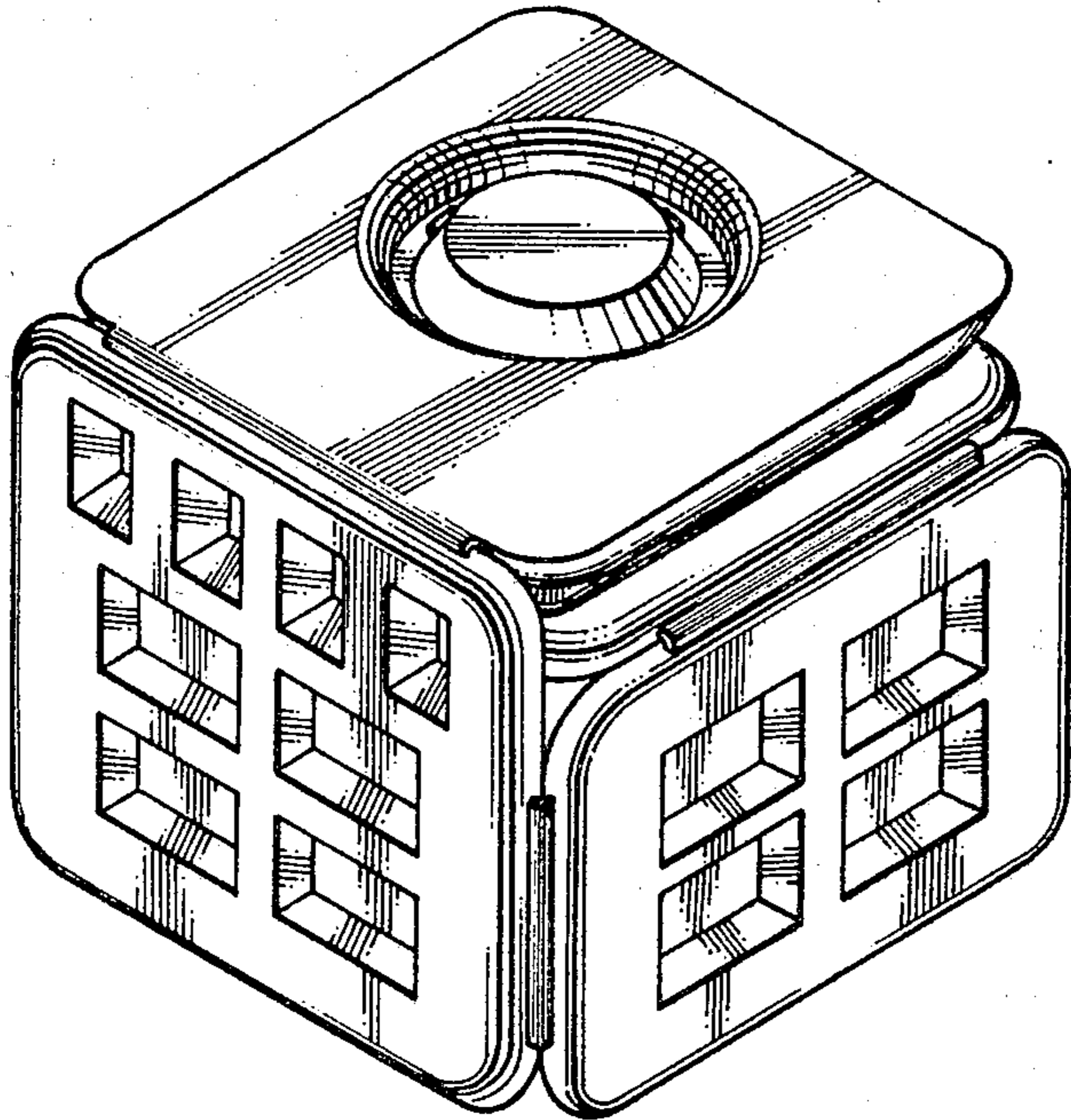


FIG. 8

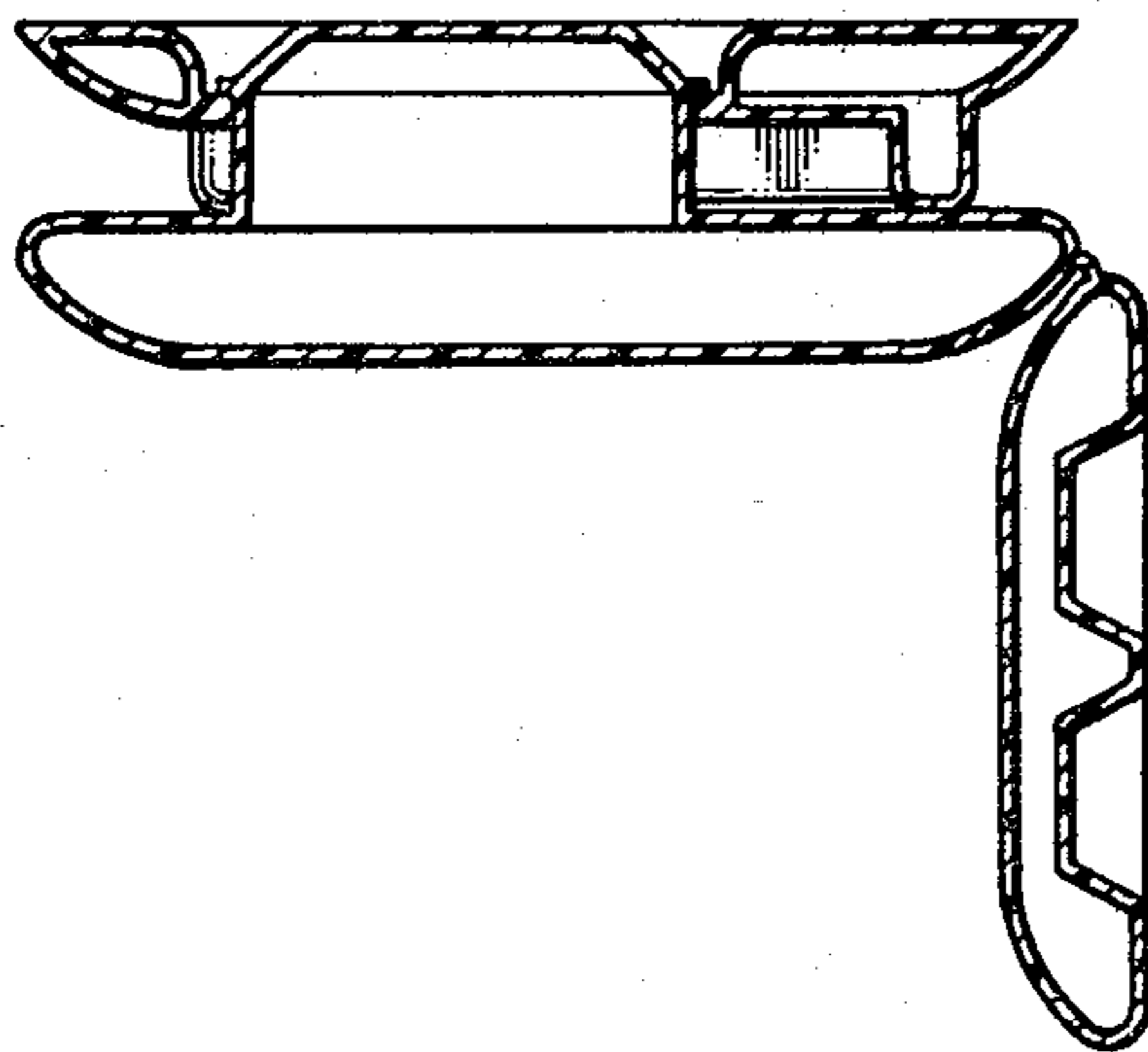


FIG. 3

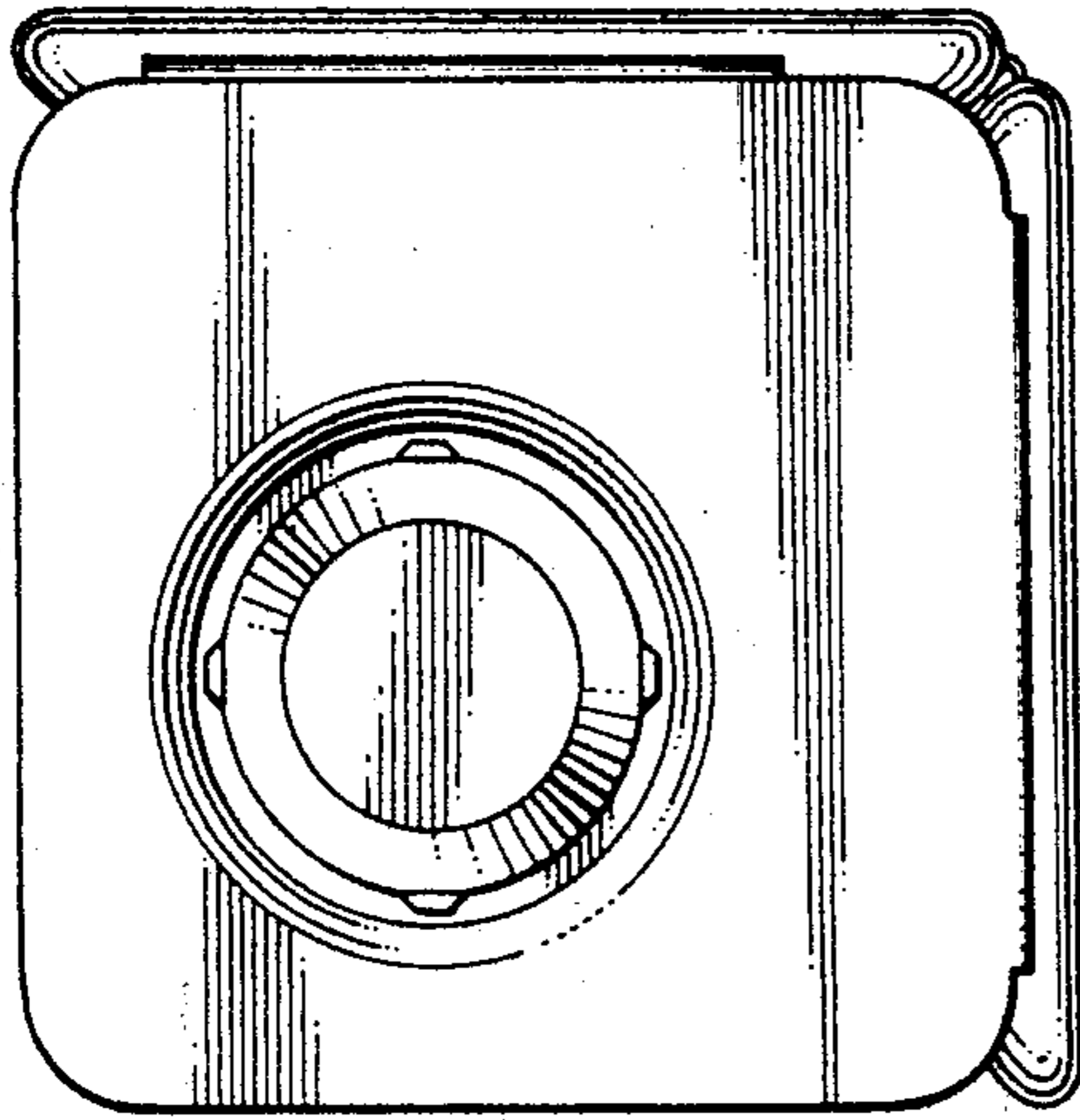
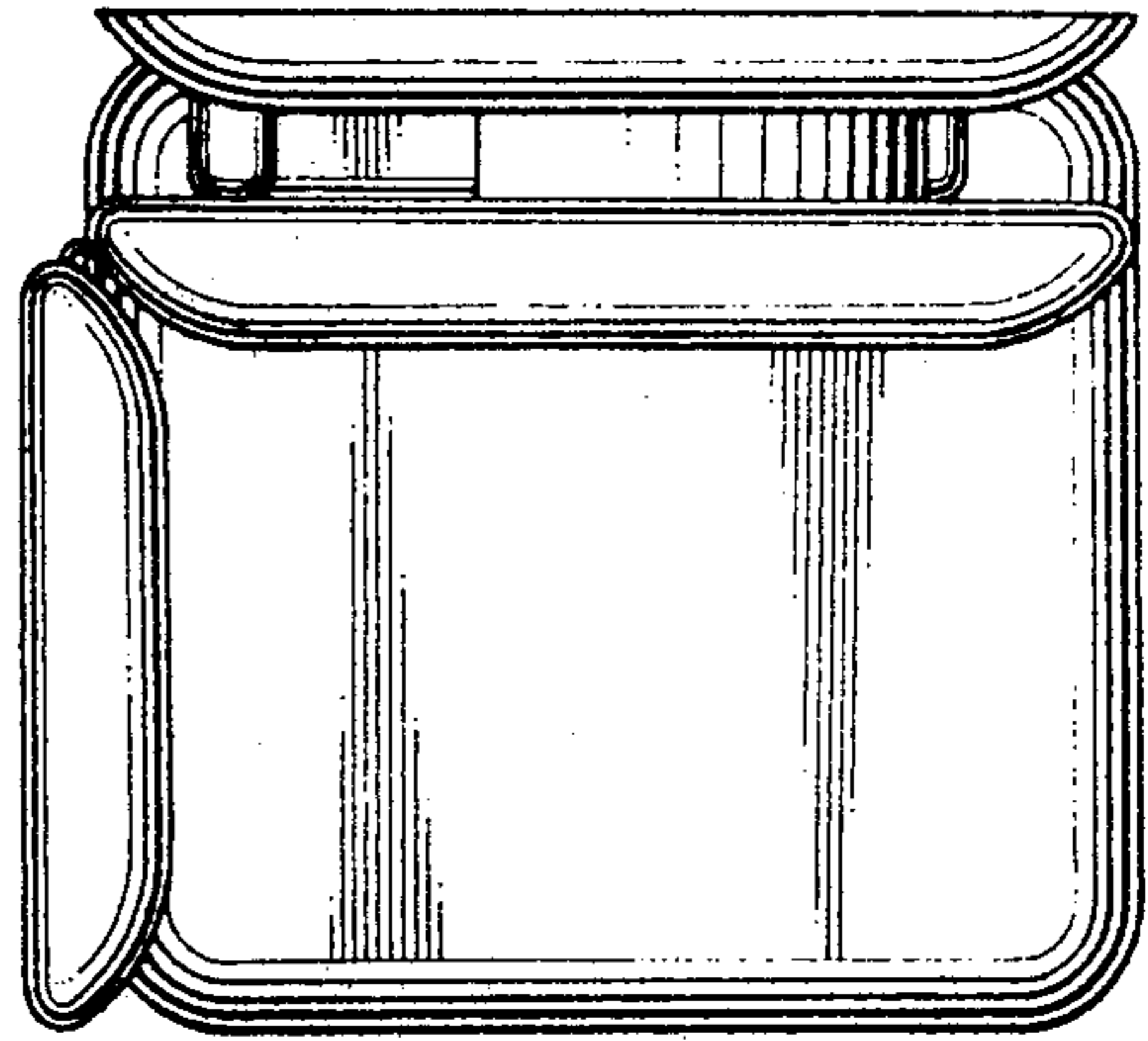


FIG. 6



A-1 FIG. 2

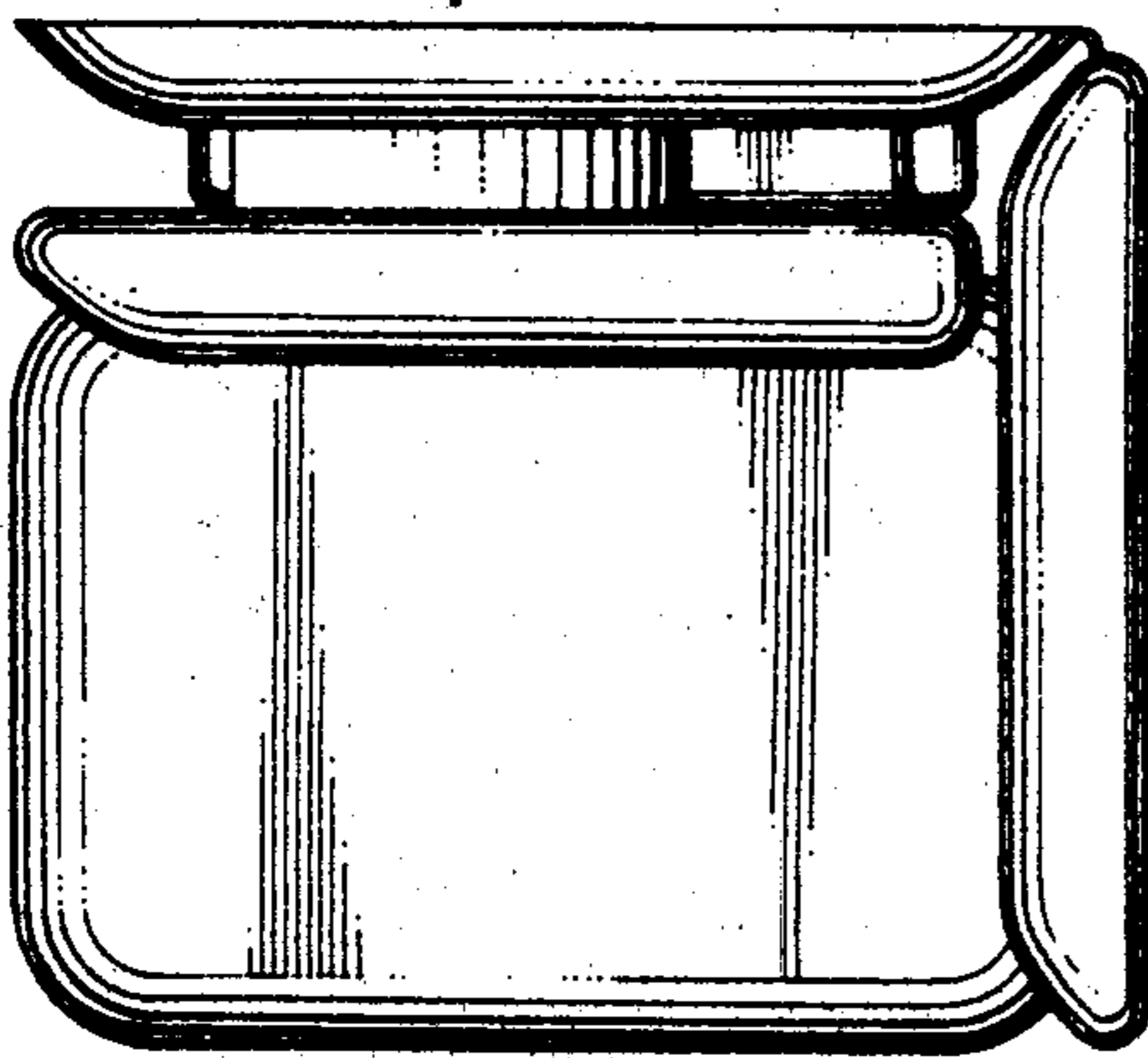
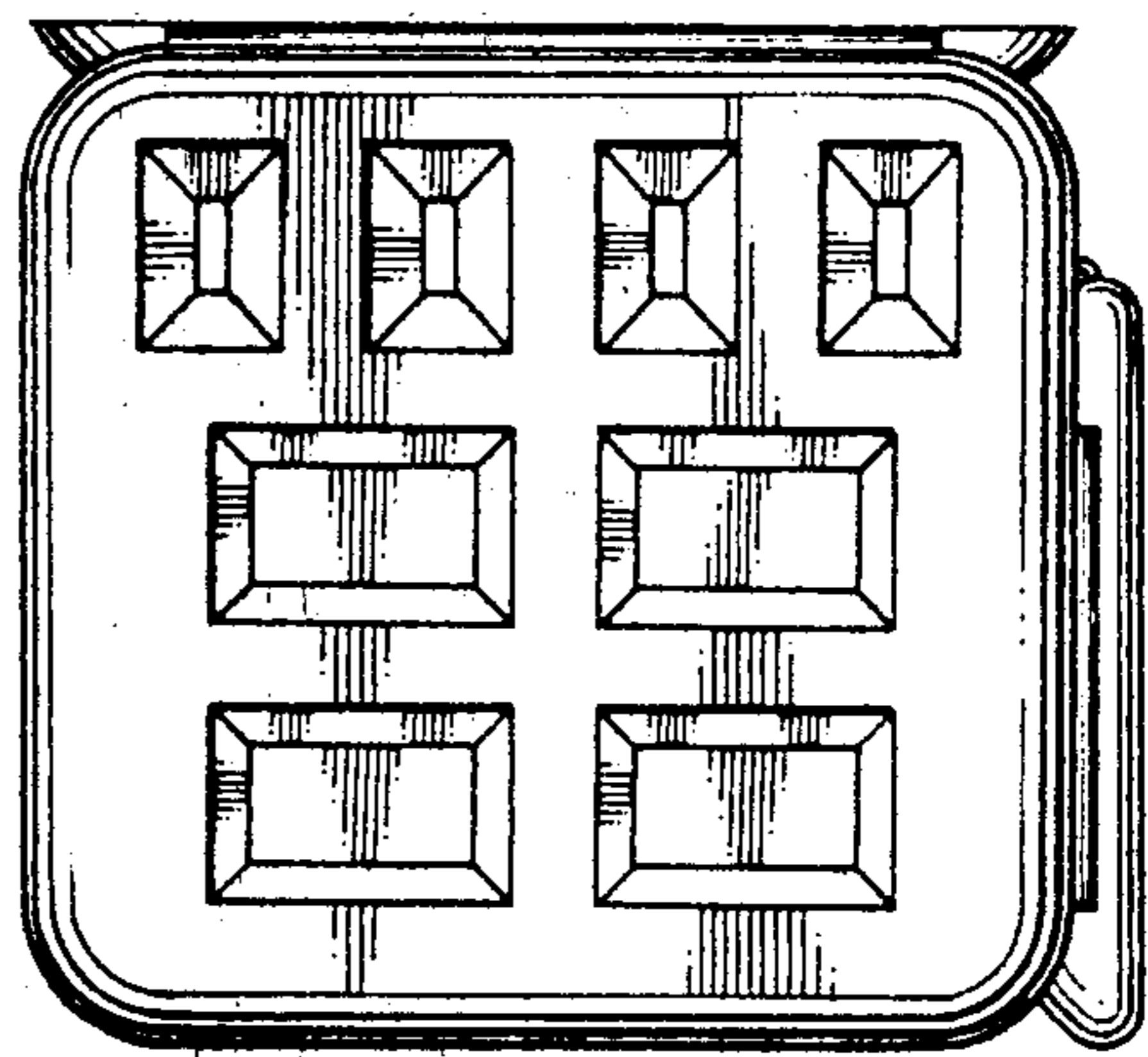


FIG. 5



A-1

FIG. 4

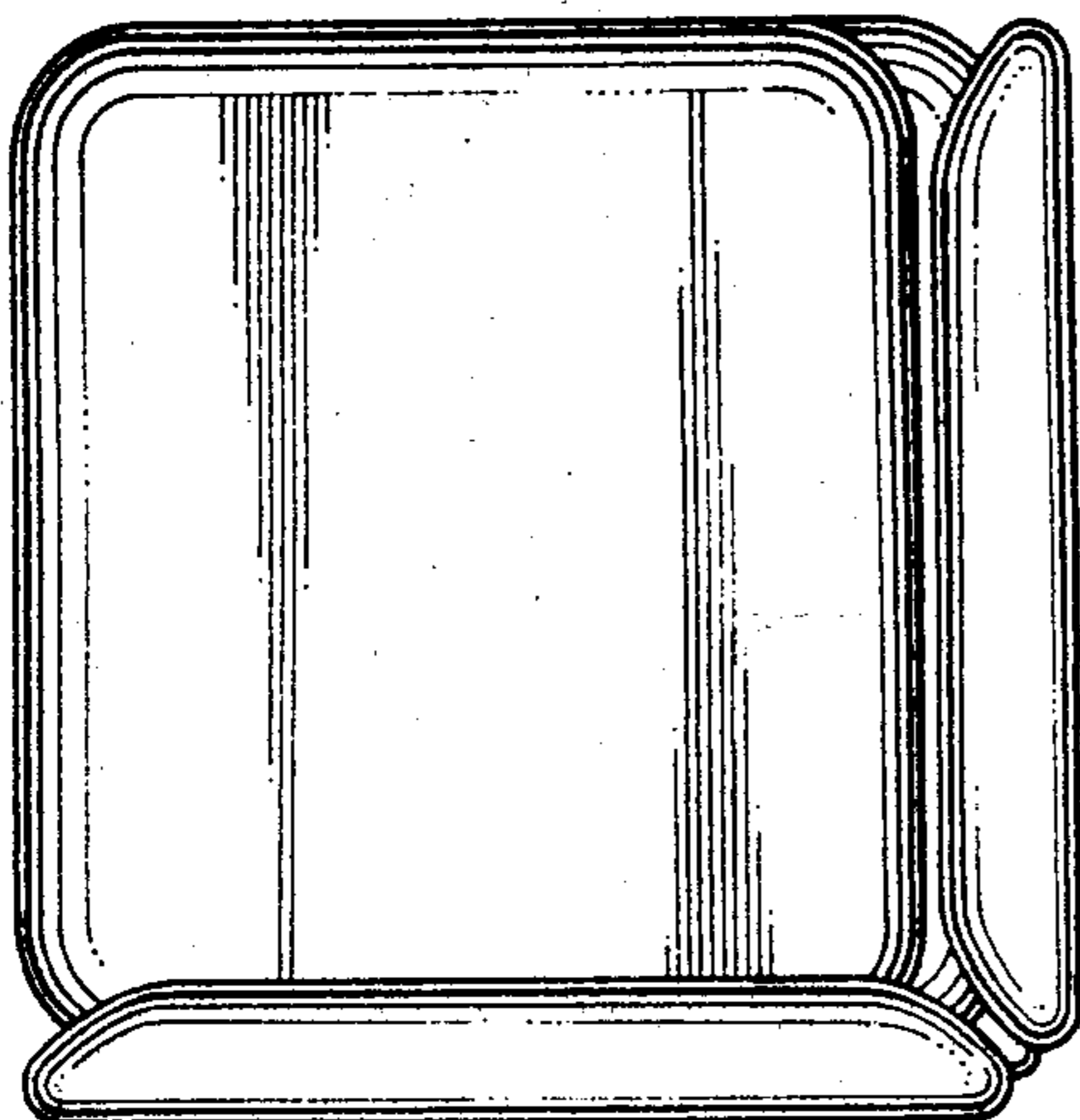


FIG. 7

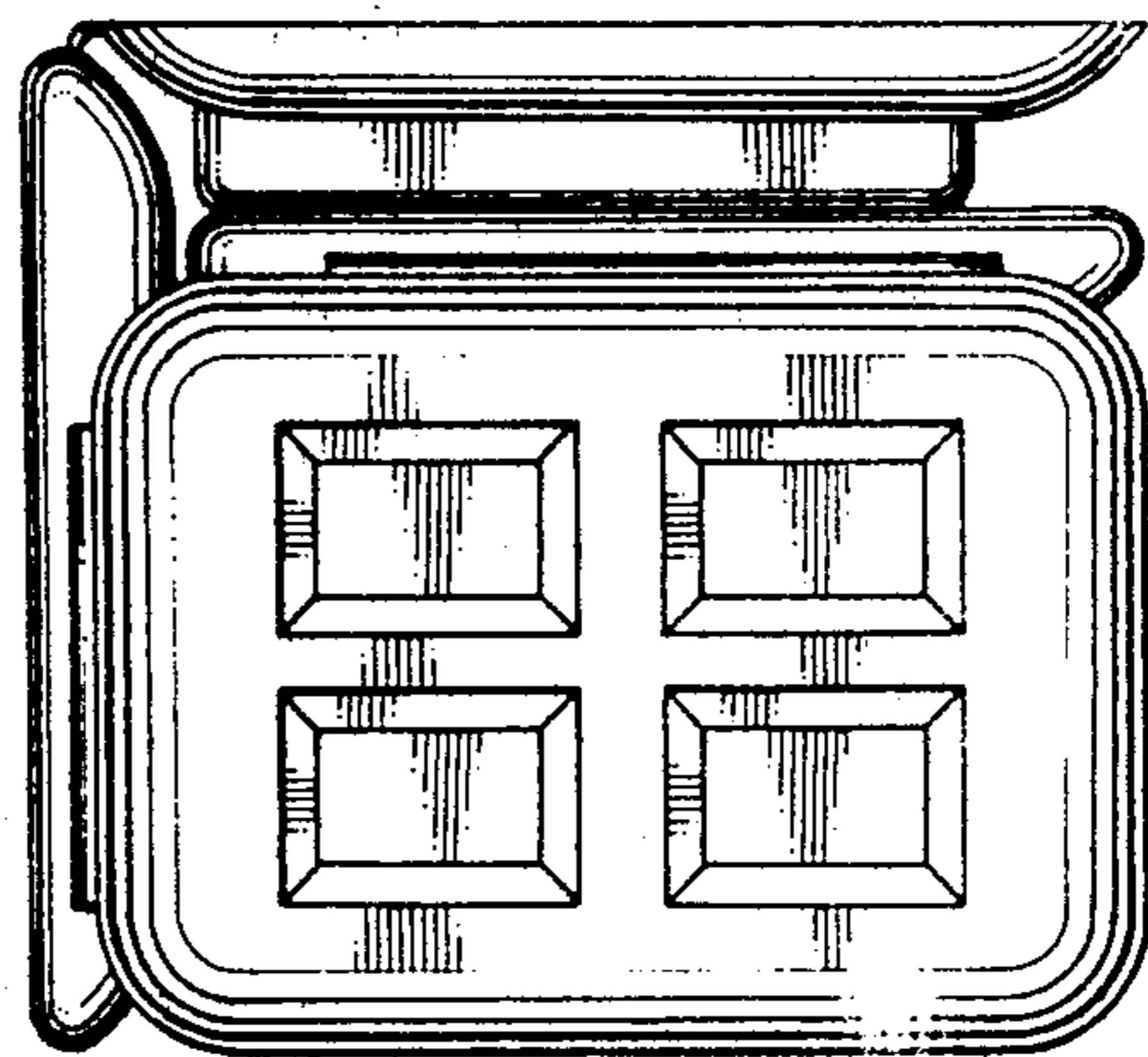


FIG. 9

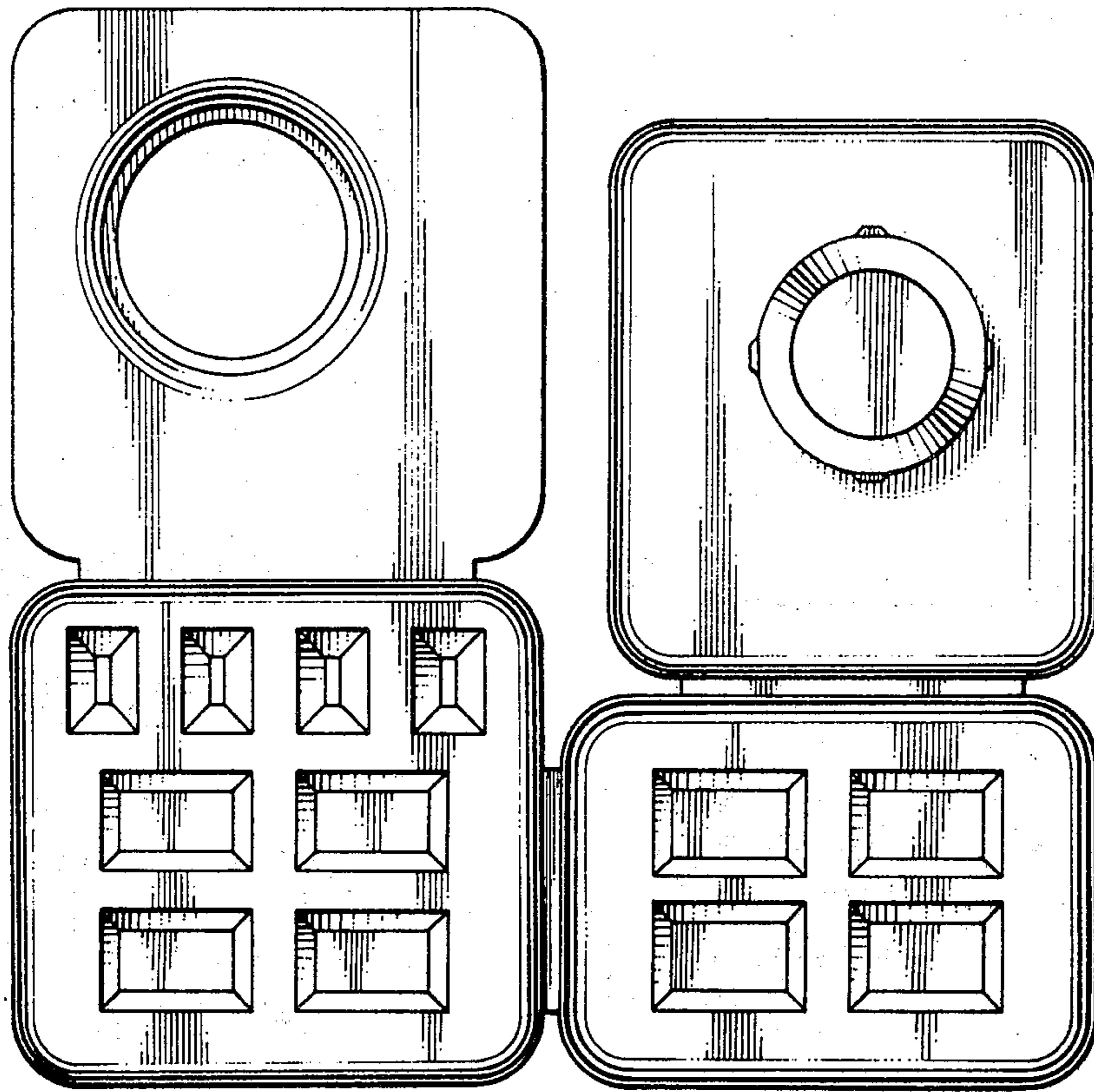


FIG. 10

