

[54] VITAMIN DISPENSER

[76] Inventor: Brad J. Ridgley, 16881 Oakview Dr., Encino, Calif. 91436

[**] Term: 14 Years

[21] Appl. No.: 334,314

[22] Filed: Dec. 24, 1981

[52] U.S. Cl. D9/339; D9/341; D9/390

[58] Field of Search D9/339, 341, 424, 414; 206/535, 538, 533, 540; 229/17 B

[56] References Cited

U.S. PATENT DOCUMENTS

- D. 106,202 9/1937 Kane D9/414
- D. 238,751 2/1976 Scott D9/341

- 4,039,118 8/1977 Kawaoka 229/17 B
- 4,204,611 5/1980 Graves 206/538
- 4,261,468 4/1981 Krebs 206/538
- 4,381,059 4/1983 Schurman 206/533

Primary Examiner—George P. Word
Attorney, Agent, or Firm—Spensley, Horn, Jubas & Lubitz

[57] CLAIM

The ornamental design for a vitamin dispenser or the like, as shown and described.

DESCRIPTION

FIG. 1 is a front perspective view of a vitamin dispenser or the like, showing my new design; FIG. 2 is a bottom rear perspective view thereof; and FIG. 3 is a front perspective view similar to FIG. 1 with the top lid removed and the dispensing aperture in the open position.

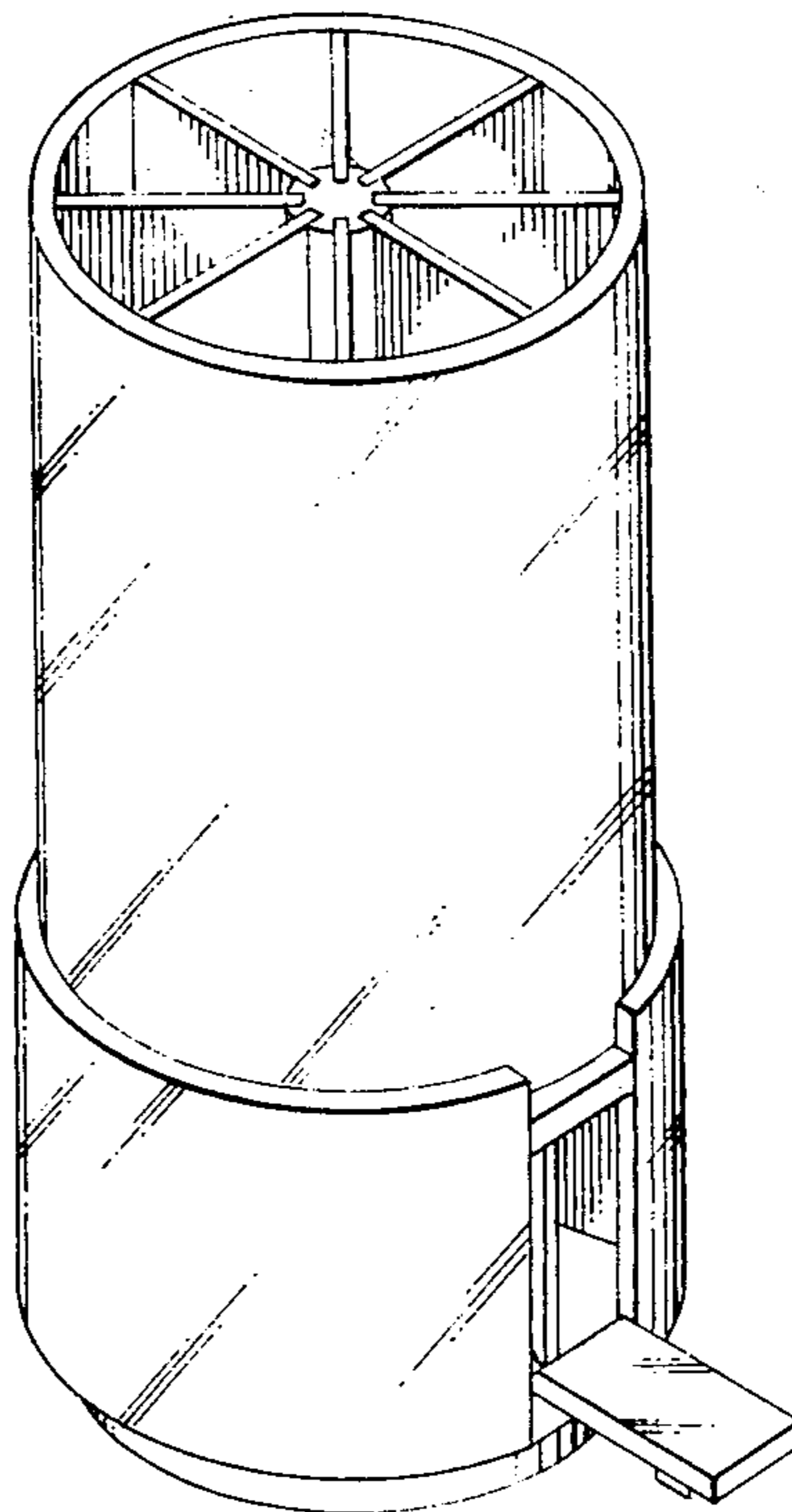


Fig. 3

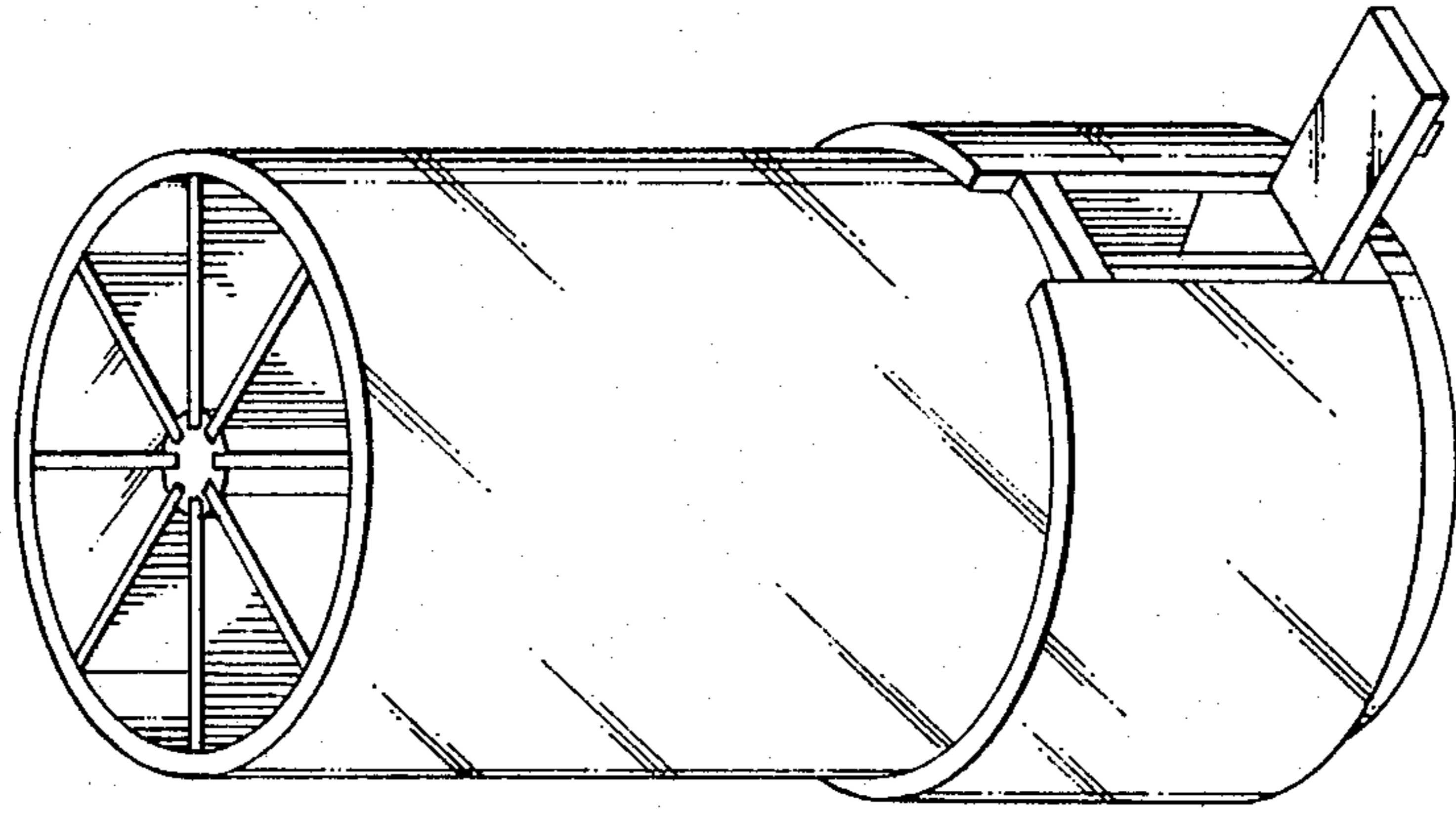


Fig. 2

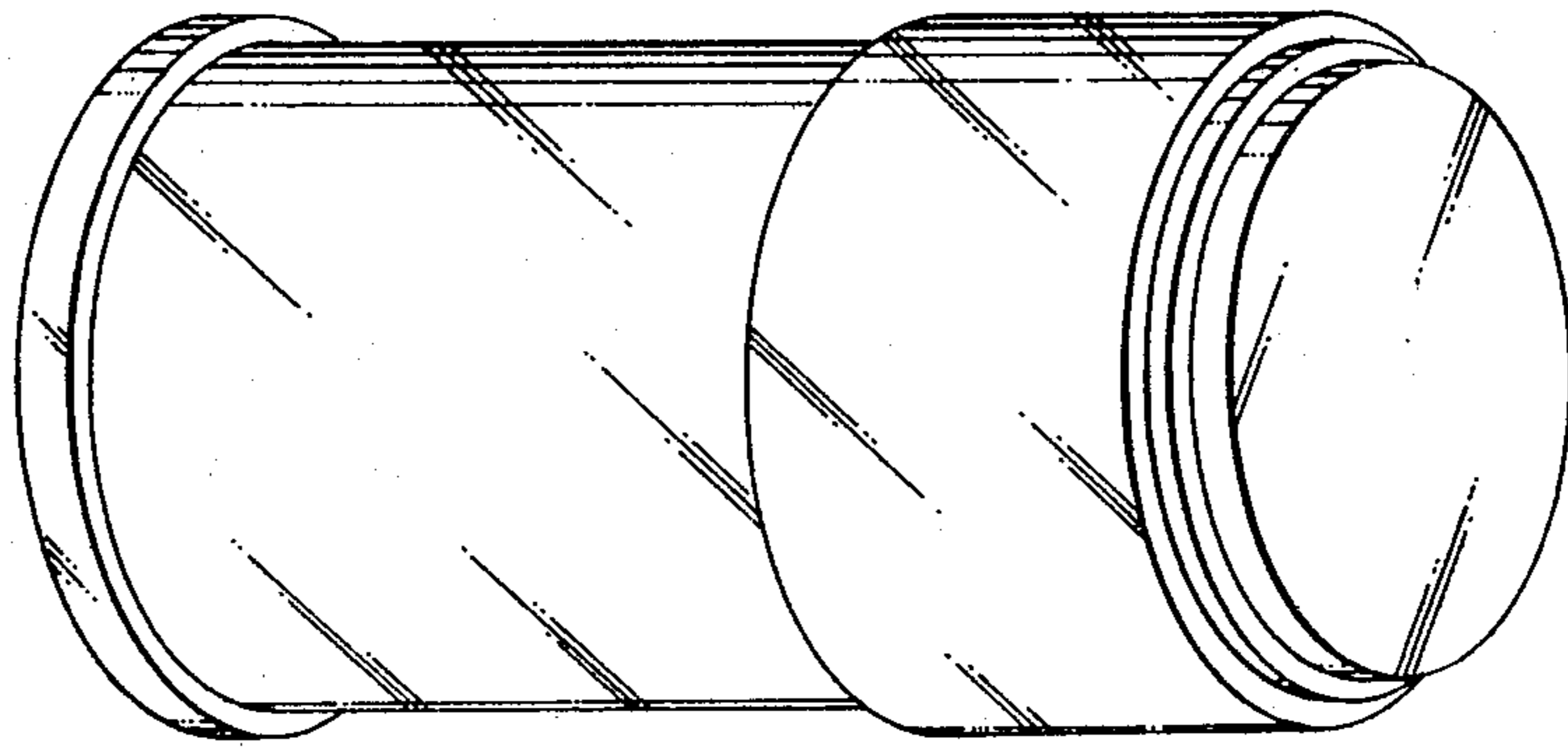


Fig. 1

