

[54] HANGER BRACKET FOR POCKET FILE

[75] Inventors: Phillip A. Crim, Clark County; Larry S. Hawkins, Frederick County; Michael J. Szablak, Winchester, all of Va.

[73] Assignee: Rubbermaid Commercial Products Inc., Winchester, Va.

[\*\*] Term: 14 Years

[21] Appl. No.: 293,379

[22] Filed: Aug. 17, 1981

[52] U.S. Cl. .... D8/373

[58] Field of Search ..... D8/373, 366, 371, 372, D8/354; 248/207, 300, 301, 214, 215, 316.6, 226

[56] References Cited

U.S. PATENT DOCUMENTS

1,065,423	6/1913	Zeigler	248/214
1,068,391	7/1913	Jensen	248/214
1,426,787	8/1922	Spencer	248/214
1,772,176	8/1930	Benjamin	248/214
1,826,640	10/1931	Sturgis	248/214

2,546,480	3/1951	Torquafi	248/214
2,665,869	1/1954	Samuels	248/214
2,918,244	12/1959	Laney	248/214
4,059,248	11/1977	Kuntz	248/214
4,261,957	4/1981	Schimanski	248/214
4,283,038	8/1981	Kurtz	248/316.6

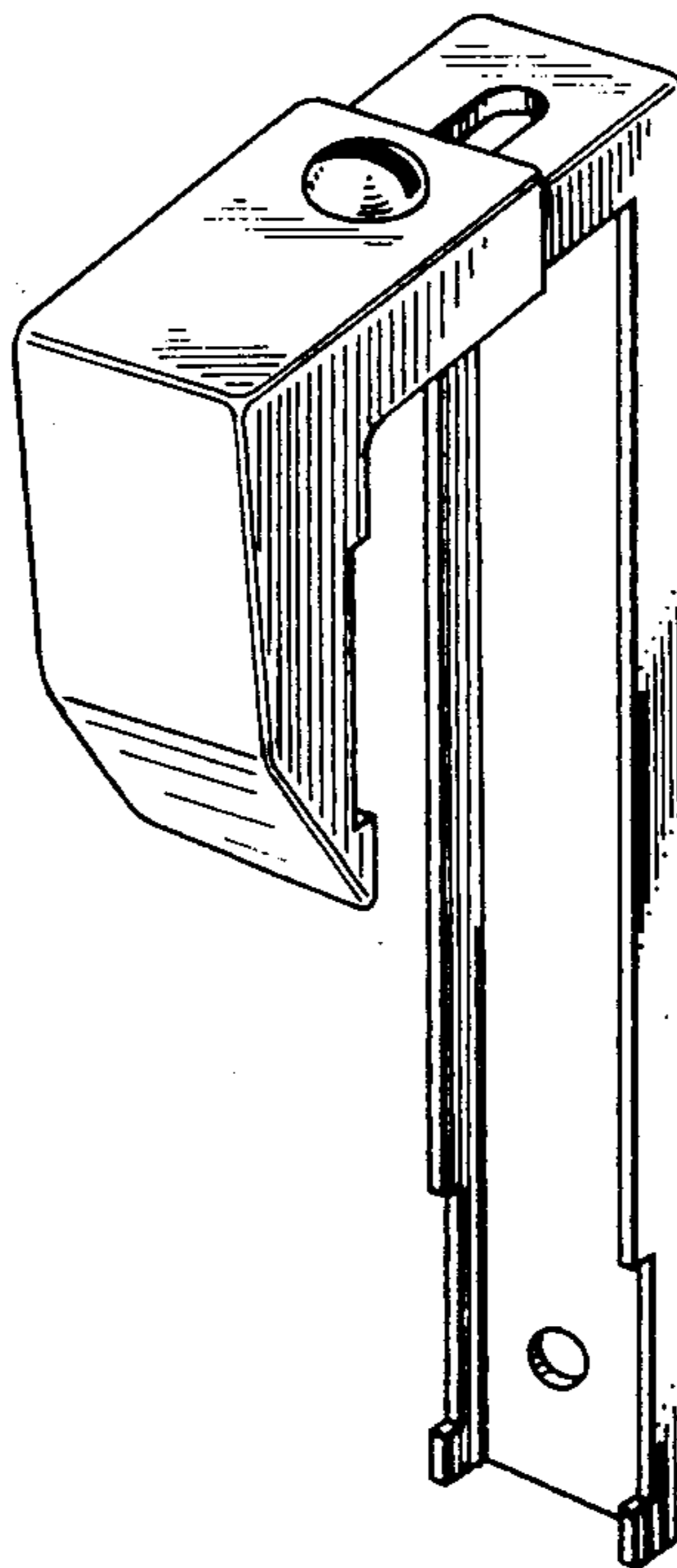
Primary Examiner—James M. Gandy  
Assistant Examiner—Horace B. Fay  
Attorney, Agent, or Firm—Renner, Kenner, Greive & Bobak

[57] CLAIM

The ornamental design for a hanger bracket for pocket file, as shown and described.

DESCRIPTION

FIG. 1 is a front perspective view of a hanger bracket for a pocket file showing our new design; FIG. 2 is a rear perspective view thereof with the parts exploded; FIG. 3 is an enlarged vertical sectional view thereof in assembled position, it being understood that the section is taken on the center line of the assembled brackets; FIG. 5 is an inside elevational view of the other principal part, as on the line 5—5 of FIG. 3.



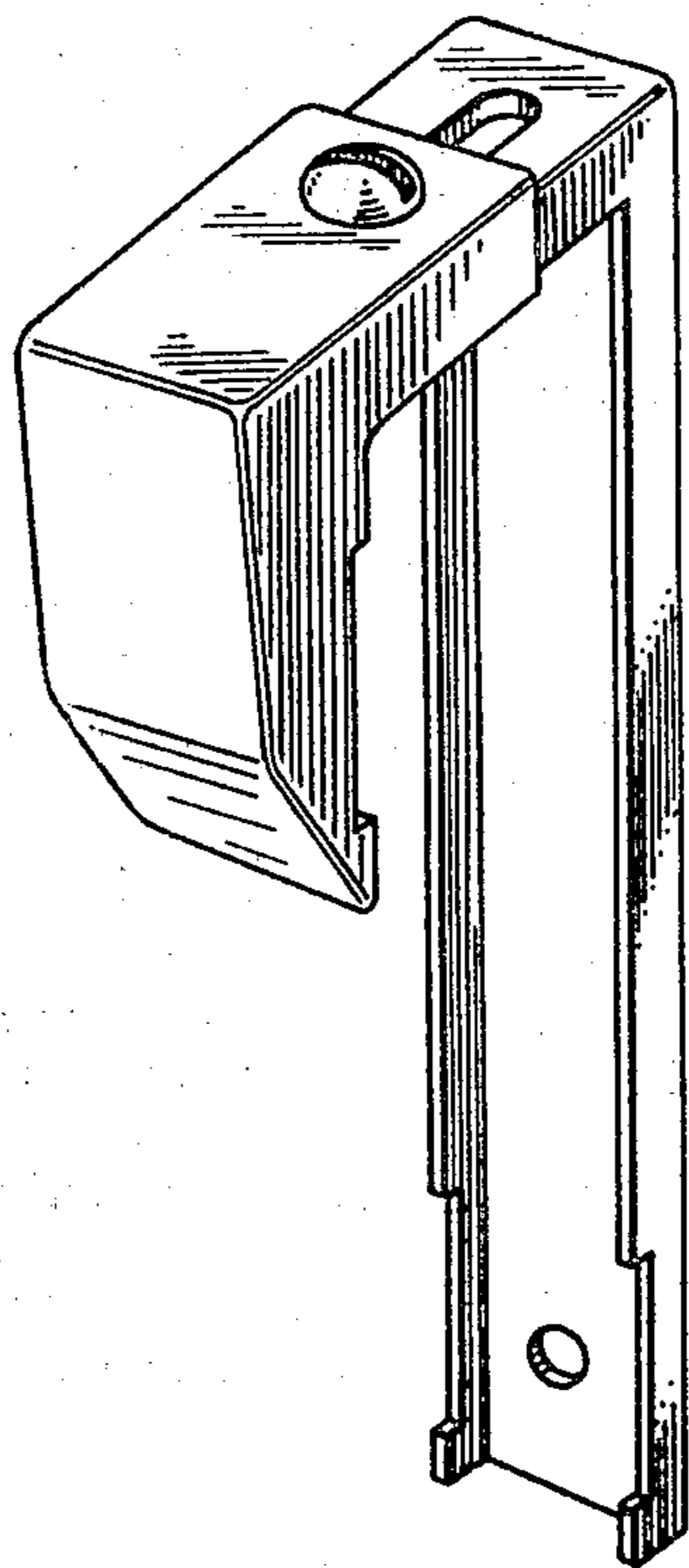


FIG. 1

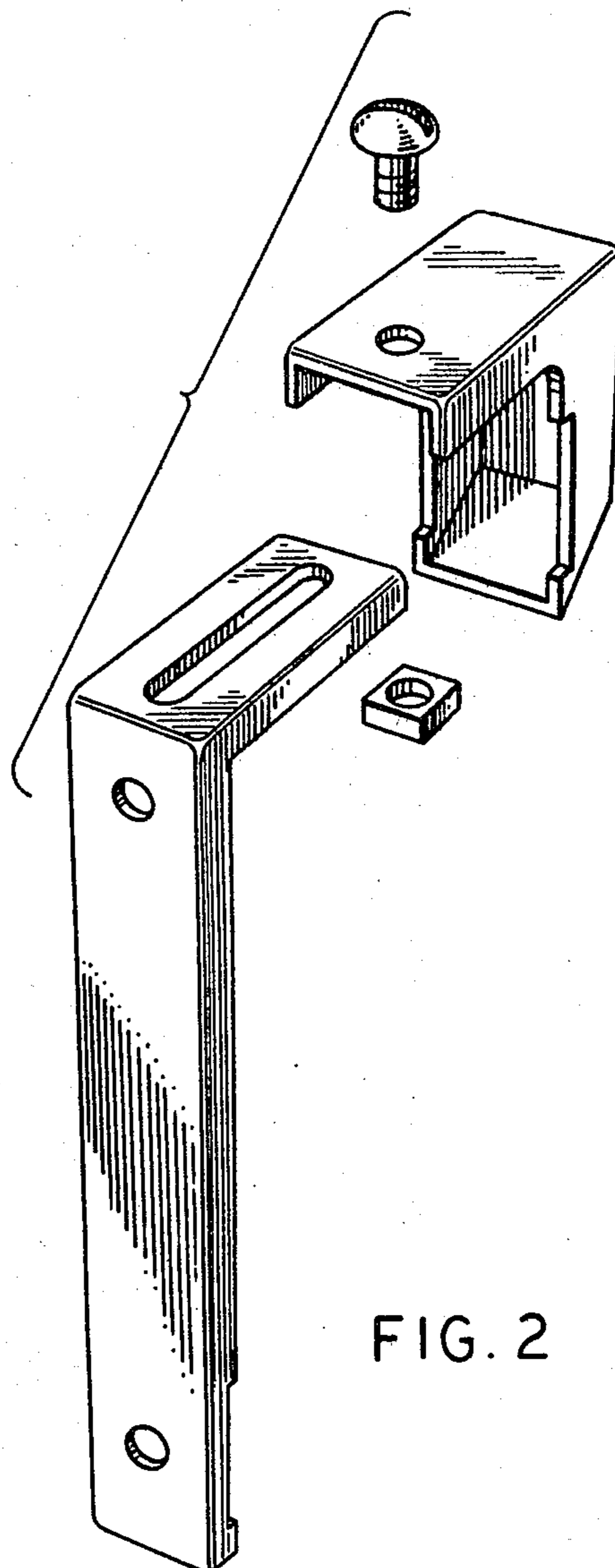


FIG. 2

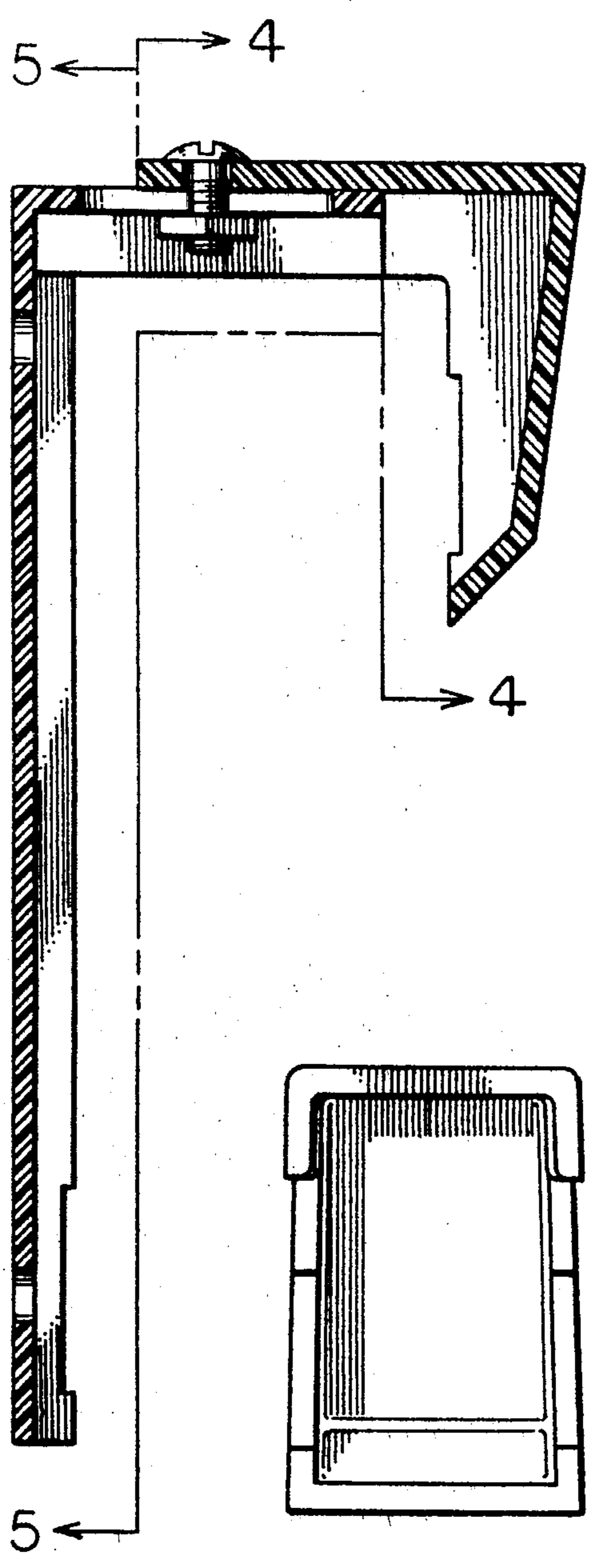


FIG. 3

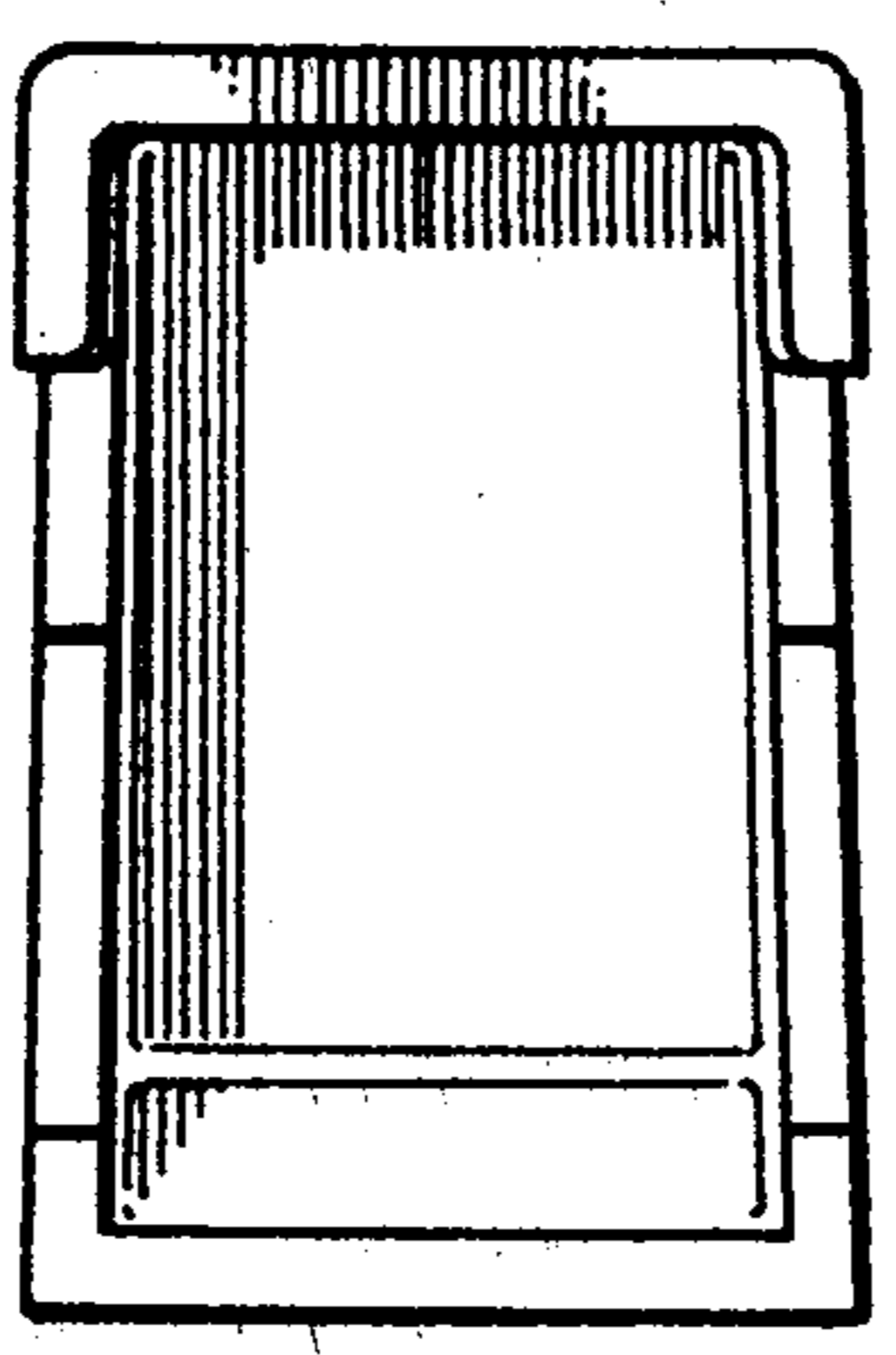


FIG. 4

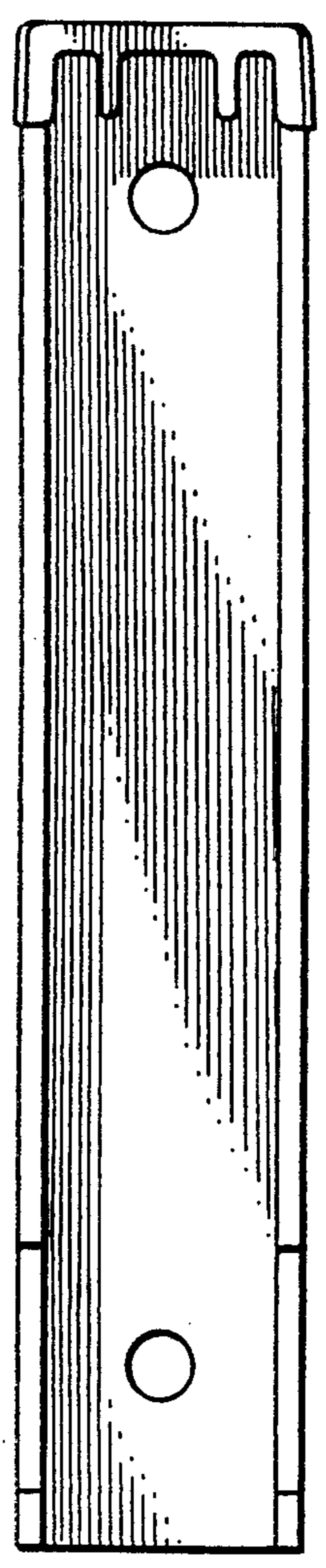


FIG. 5

UNITED STATES PATENT AND TRADEMARK OFFICE  
**CERTIFICATE OF CORRECTION**

PATENT NO. : Des. 274,037

DATED : May 29, 1984

INVENTOR(S) : Phillip A. Crim, Larry S. Hawkins, Michael J.  
Szablak

It is certified that error appears in the above-identified patent and that said Letters Patent are hereby corrected as shown below:

In the Description insert after the paragraph beginning "Fig. 3" but before the paragraph beginning "Fig. 5", the following:

--Fig. 4 is an inside elevational view of one part, as on the line 4-4 of Fig. 3;--

**Signed and Sealed this**

*Nineteenth Day of March 1985*

[SEAL]

*Attest:*

DONALD J. QUIGG

*Attesting Officer*

*Acting Commissioner of Patents and Trademarks*