

[54] BEVERAGE DISPENSER
 [75] Inventor: Robina E. Jeans, Ledbury, England
 [73] Assignee: Cadbury Schweppes PLC, London, England
 [**] Term: 14 Years
 [21] Appl. No.: 317,290
 [22] Filed: Nov. 2, 1981
 [52] U.S. Cl. D7/308; D7/309
 [58] Field of Search D7/307, 308, 309, 311, D7/300, 305, 306; 62/390

2,737,880 3/1956 Johnson D7/309
 Primary Examiner—Melvin B. Feifer
 Attorney, Agent, or Firm—Kenyon & Kenyon

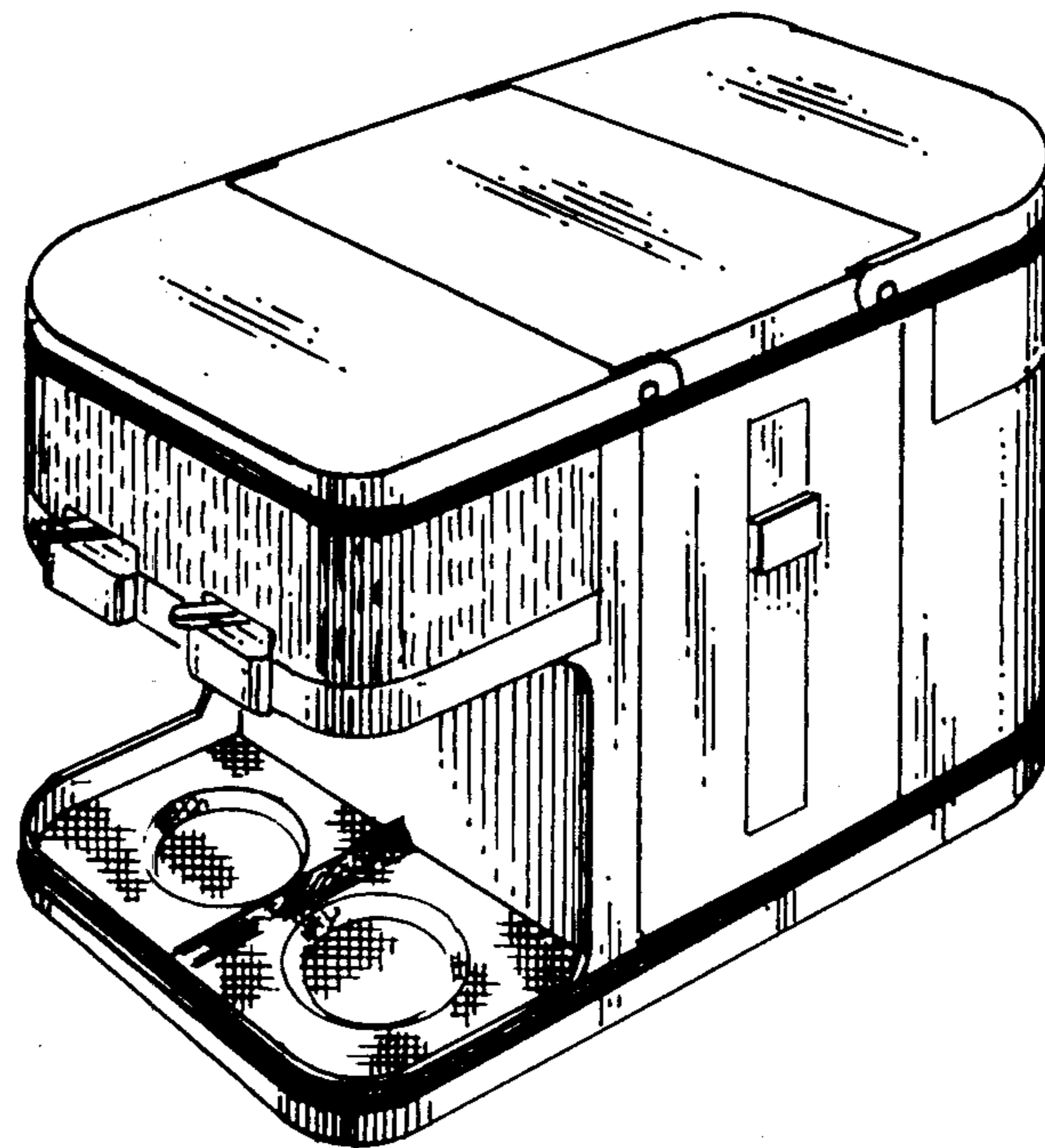
[57] CLAIM

The ornamental design for a beverage dispenser, substantially as shown and described.

DESCRIPTION

FIG. 1 is a front perspective view of a beverage dispenser showing my new design;
 FIG. 2 is a front view thereof;
 FIG. 3 is a rear view thereof;
 FIG. 4 is a right side view thereof;
 FIG. 5 is a left side view thereof;
 FIG. 6 is a top view thereof; and
 FIG. 7 is a bottom view thereof.

[56] References Cited
 U.S. PATENT DOCUMENTS
 D. 256,020 7/1980 Swanson D7/308



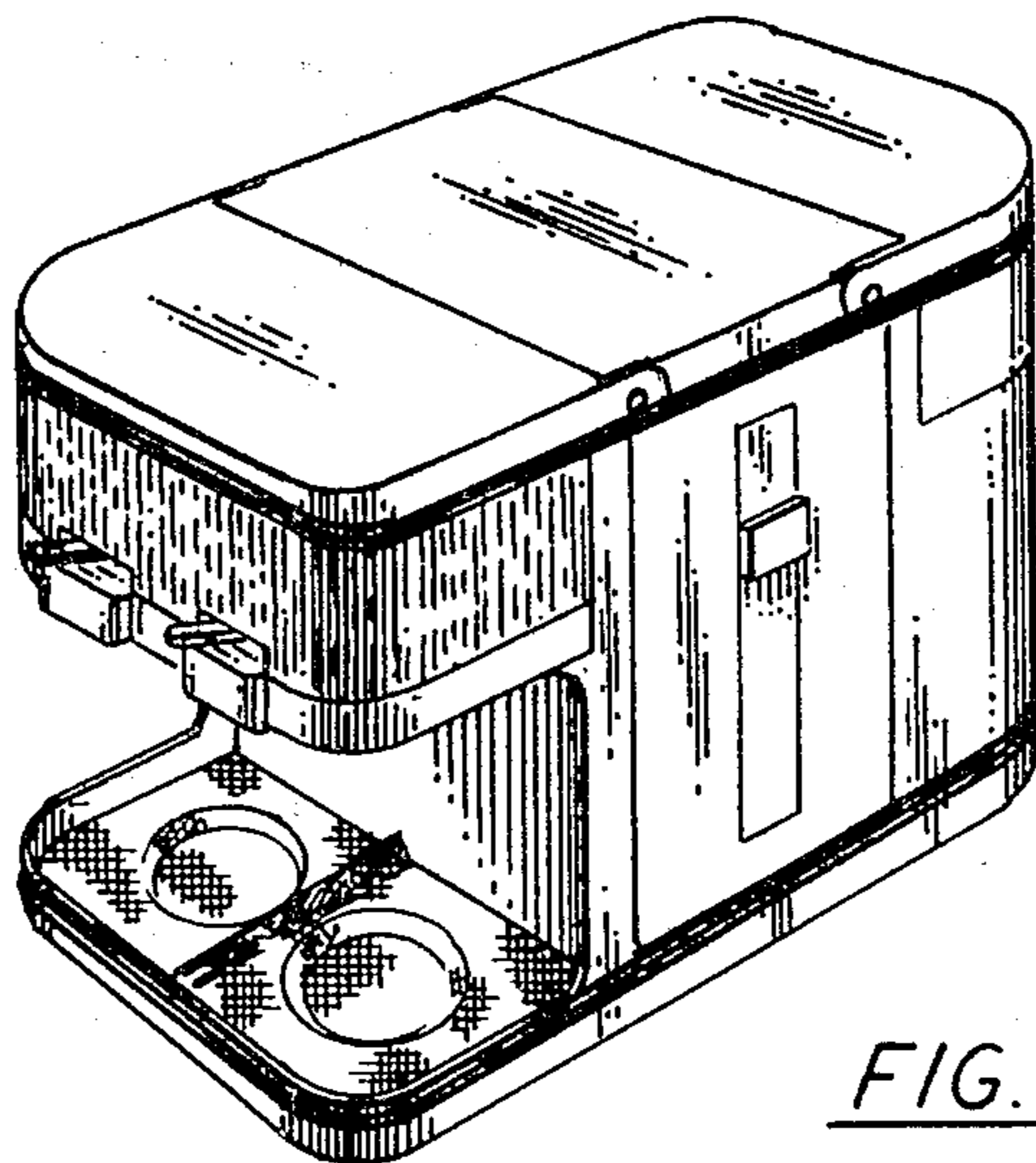


FIG. 1

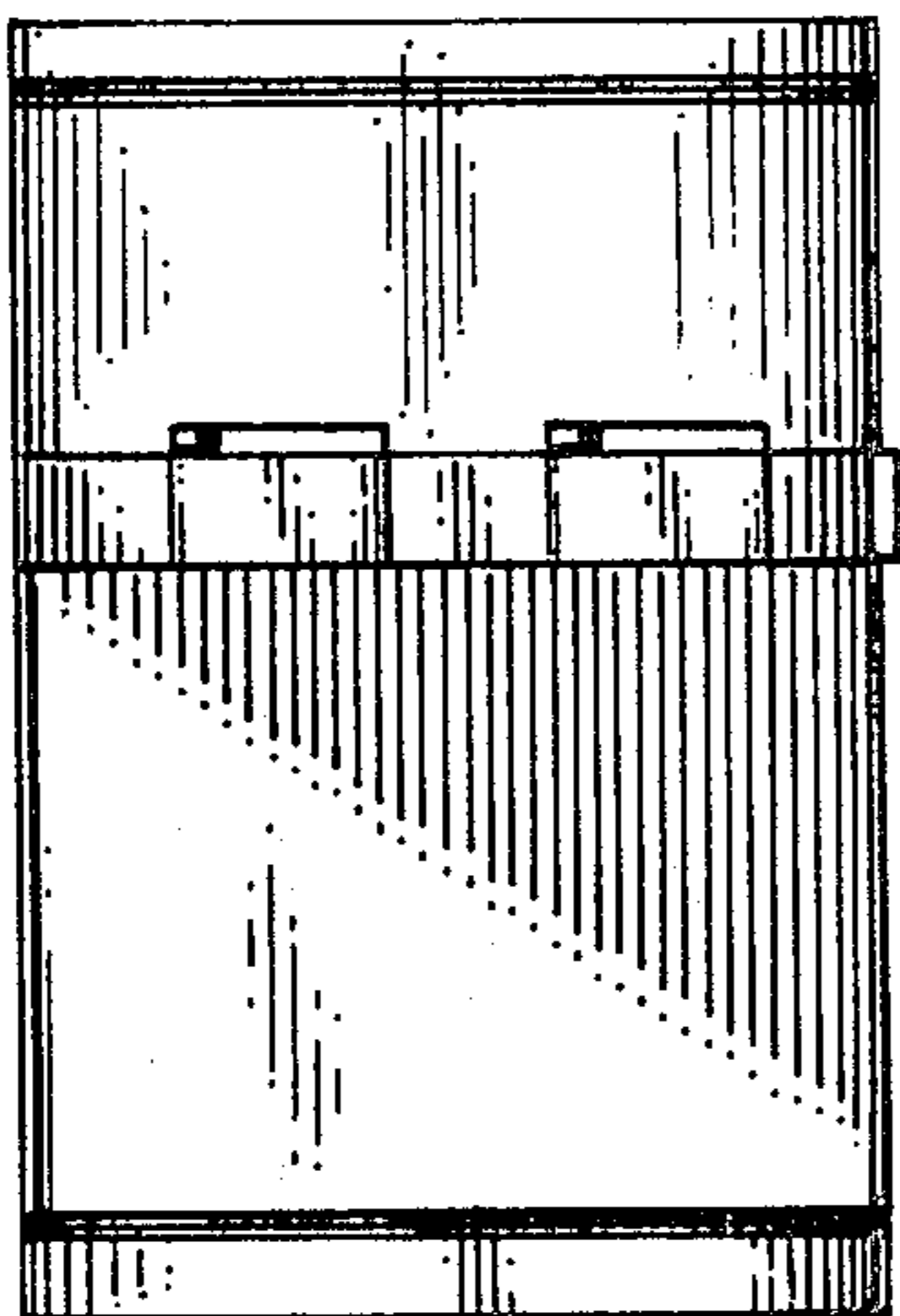


FIG. 2

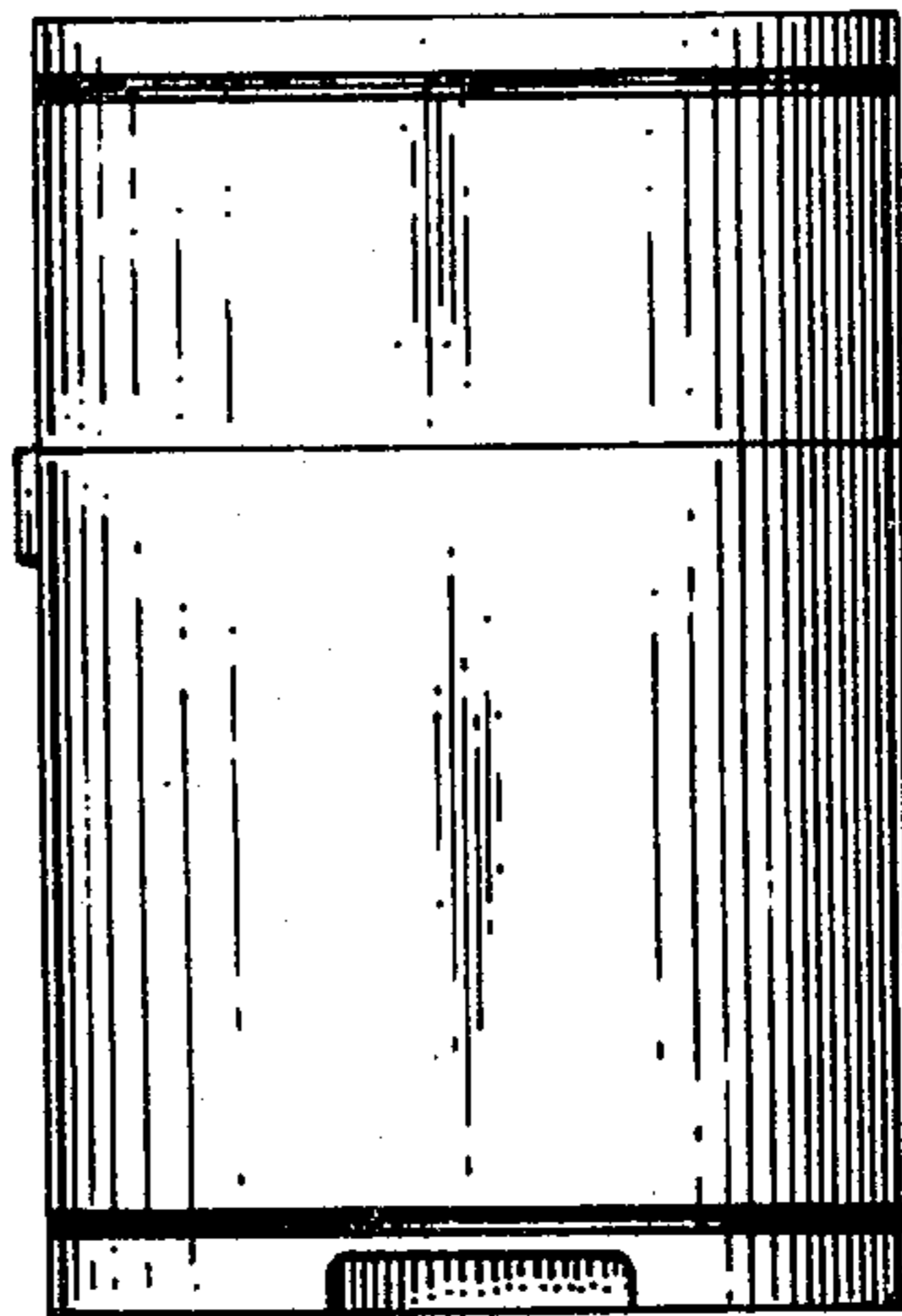


FIG. 3

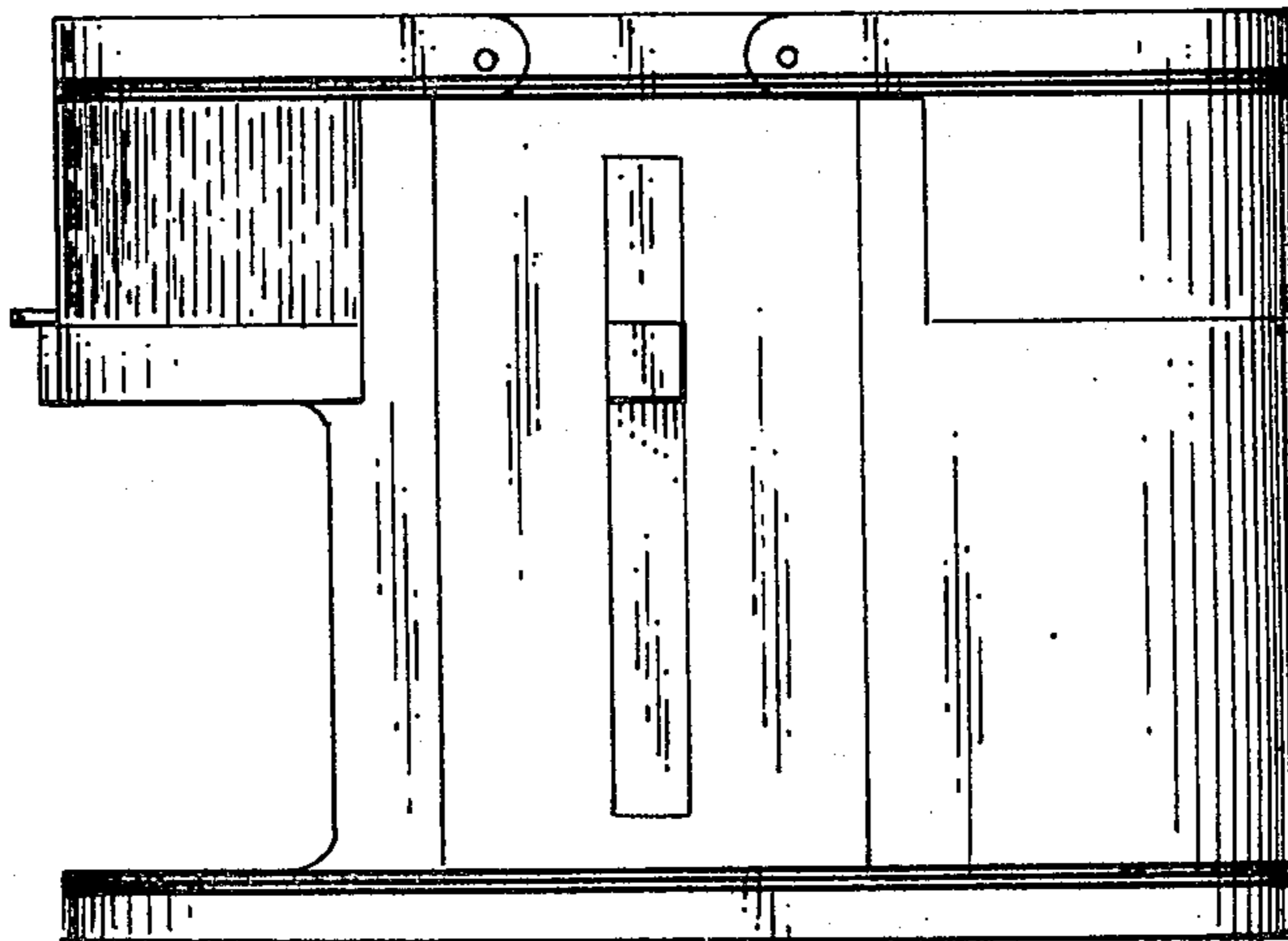


FIG. 4

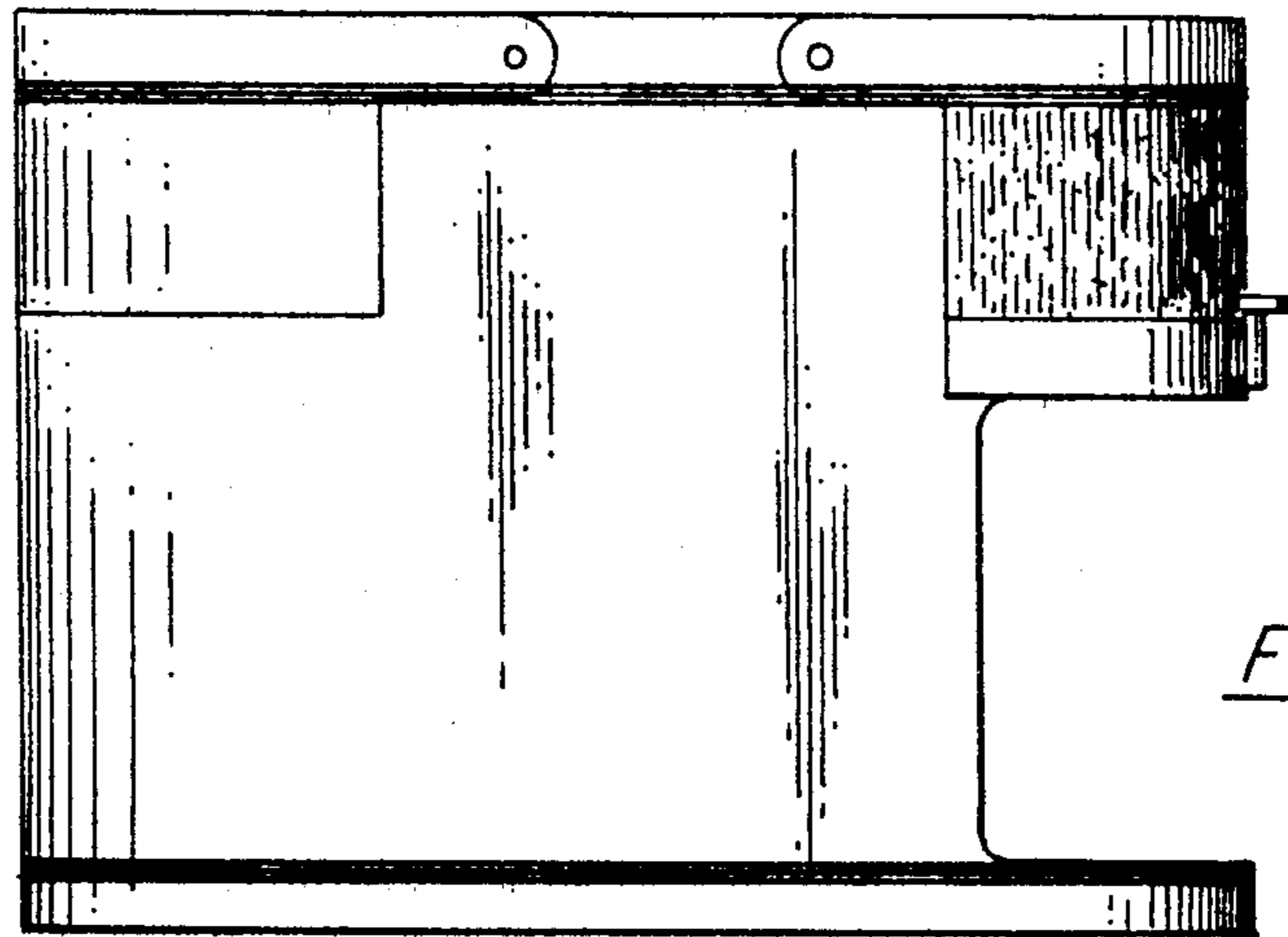


FIG. 5

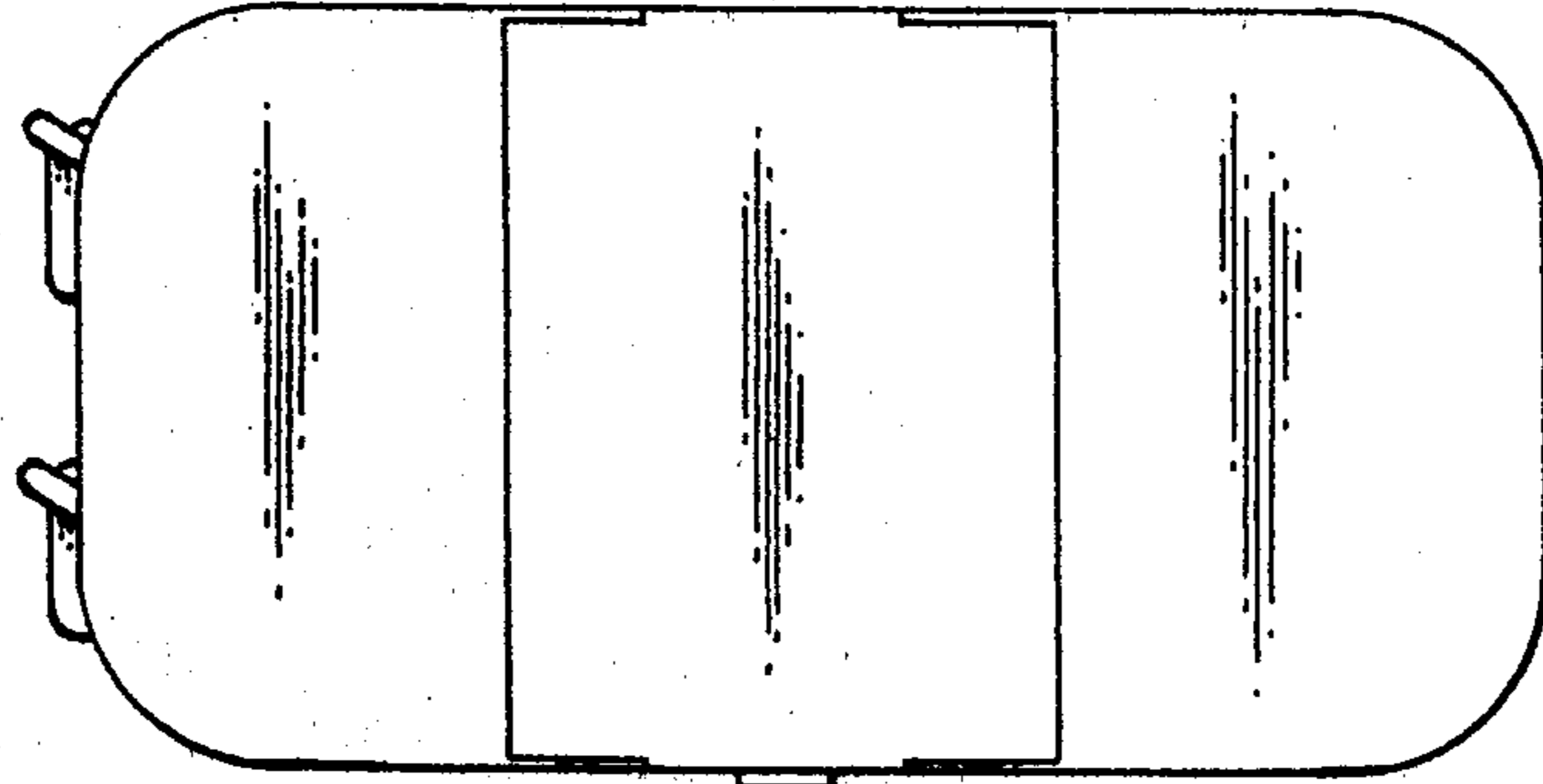


FIG. 6

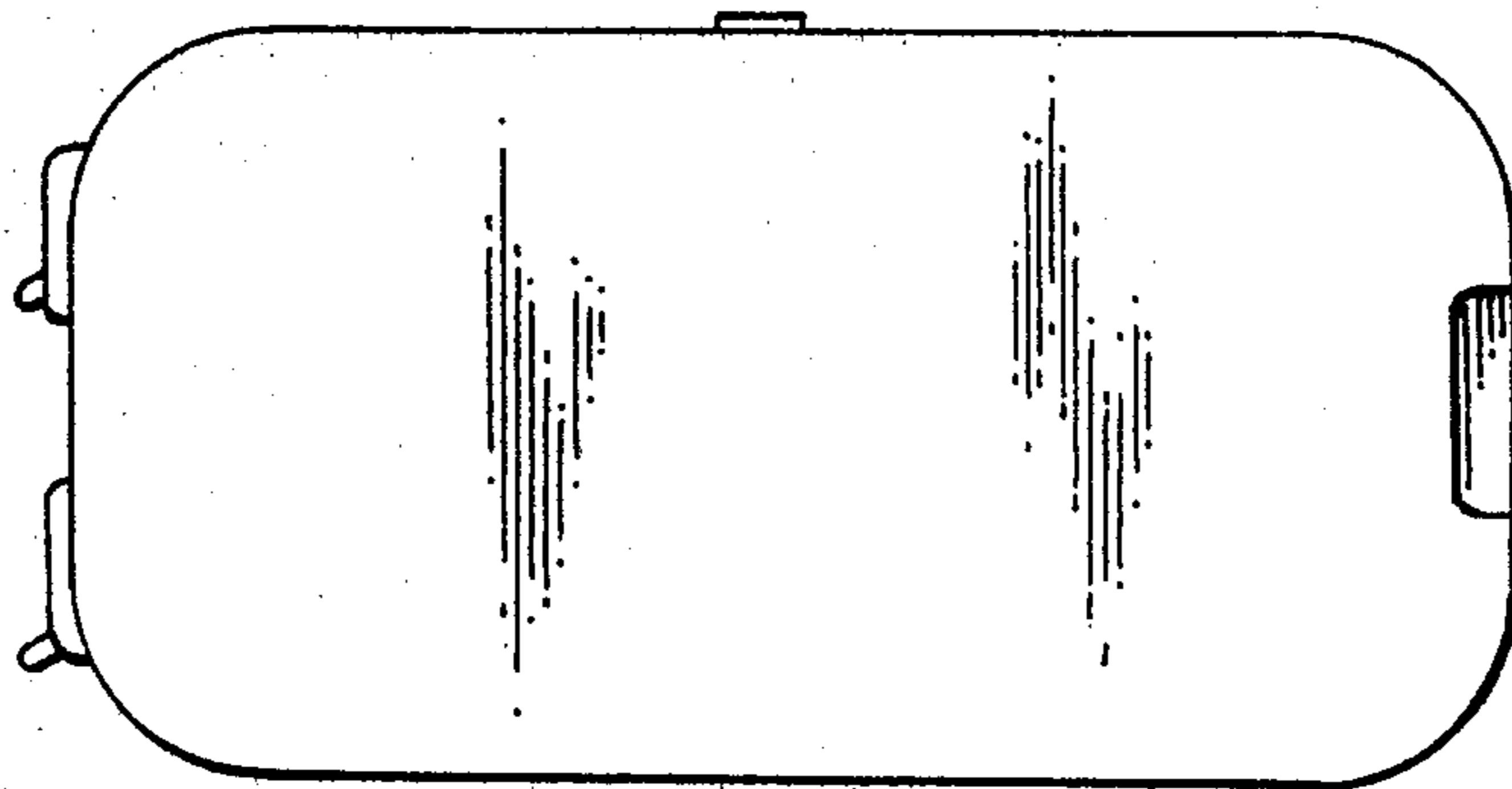


FIG. 7